



Cirque™

CEILING/SURFACE


- SLIM-PROFILE 4.275" DRUM LUMINAIRE AVAILABLE IN SURFACE, AND WALL MOUNT CONFIGURATIONS
- AVAILABLE IN 14", 18", 24", 36", AND 48" DIAMETERS
- MULTIPLE LENS CONFIGURATIONS AVAILABLE INCLUDING FLUSH MOUNT, 0.75" DROP LENS, AND 0.75" REGRESS LENS OPTIONS
- PRECISION-ROLLED ALUMINUM HOUSING WITH FULLY LUMINOUS ACRYLIC DIFFUSER
- PROPRIETARY 90+ CRI LED LIGHT ENGINE DESIGNED FOR SMOOTH, EVEN ILLUMINATION ACROSS THE ENTIRE DIFFUSER SURFACE
- UNIVERSAL VOLTAGE (120-277V)
- STANDARD 0-10V DIMMING (1%)
- FIELD-REPLACEABLE LED DRIVER COMPONENTS



CATALOG CODES

CQ2	-	B	-	C	-	D	-	E	-	F	-	UNV	-	DM1	-	I		
SERIES		HANGING SYSTEM		SIZE		DIFFUSER		FINISH		LIGHT SOURCE		COLOR TEMP		VOLTAGE		CONTROL		OPTIONS

SPECIFY CATALOG CODE

A	B	C	D	E
SERIES	HANGING SYSTEM	SIZE	DIFFUSER	FINISH
 CQ2 CIRQUE DIRECT	MOUNTING TYPE		14	POWDER COAT FINISHES BTP BLACK TEXTURED WTP WHITE TEXTURED SMP SILVER METALLIC
	C1NA	SURFACE CEILING MOUNT	18	
	S1SB	INDOOR SCONCE (NON-ADA)	24	
			36	
			48	

F	G	H	I
LIGHT SOURCE	VOLTAGE	CONTROL	OPTIONS
LED OUTPUT DIRECT LED1 LED2 LED3	COLOR TEMP (90+ CRI) 927K 930K 935K 940K	UNV 120-277 DM1 0-10V DIMMING 1%	ULD UL DAMP LABEL MOD MODIFIED LUMINAIRE (CONTACT LOCAL REP)

SAMPLE CODE: CQ2-C1NA-36-MWF-BTP-LED1-927K-UNV-DM1

MODS, NOTES, & COMMENTS

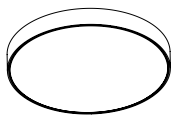
UP TO **93** LM/W

LUMENS AND WATTAGE CHART						
CQ2 - DIRECT						
		14"	18"	24"	36"	48"
LED1	LUMENS DELIVERED	725	1105	1505	4015	7915
	SYSTEM WATTAGE	10	13	18	46	85
LED2	LUMENS DELIVERED	1225	1875	2545	6775	13365
	SYSTEM WATTAGE	15	22	29	78	150
LED3	LUMENS DELIVERED	1690	2590	3500	9370	18450
	SYSTEM WATTAGE	21	30	41	114	220

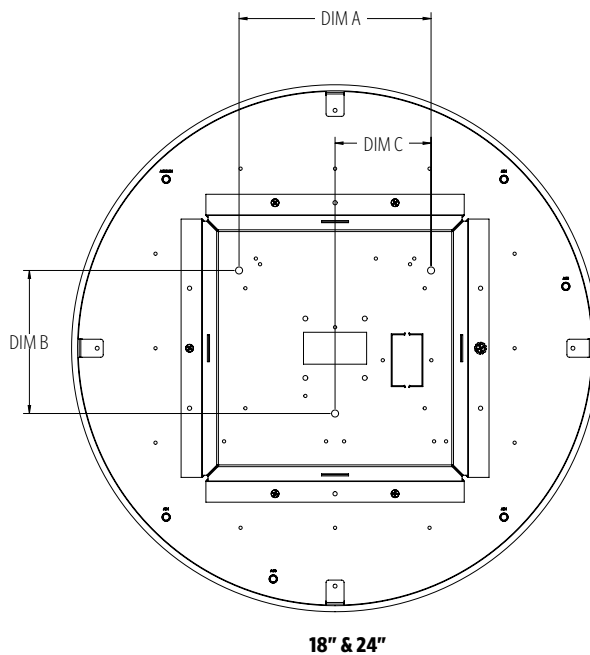
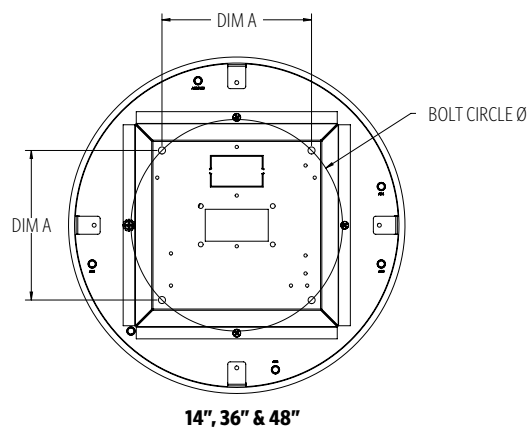
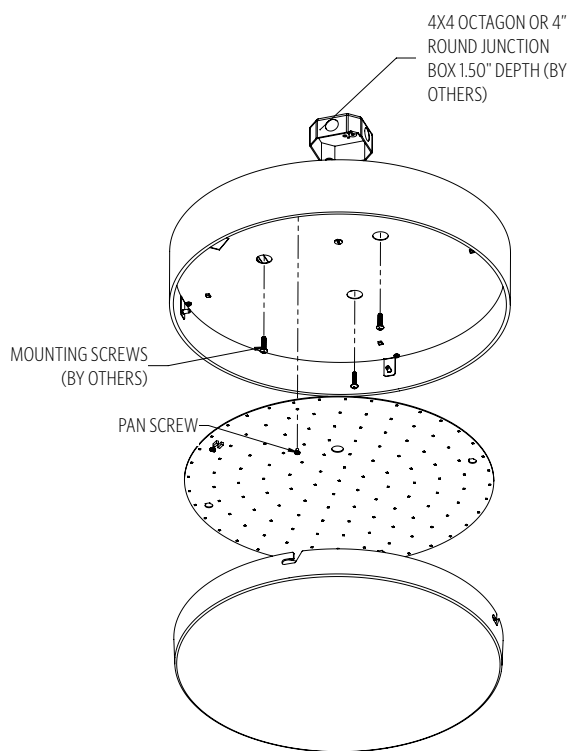
This chart was created for a 35K color temp. Multiply by 0.95 for 27k color temp, 0.97 for 30k color temp, and 1.03 for 40k color temp. Values shown for 90+ CRI.

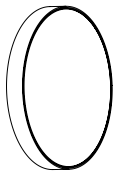
HANGING SYSTEM

C1NA SURFACE CEILING MOUNT



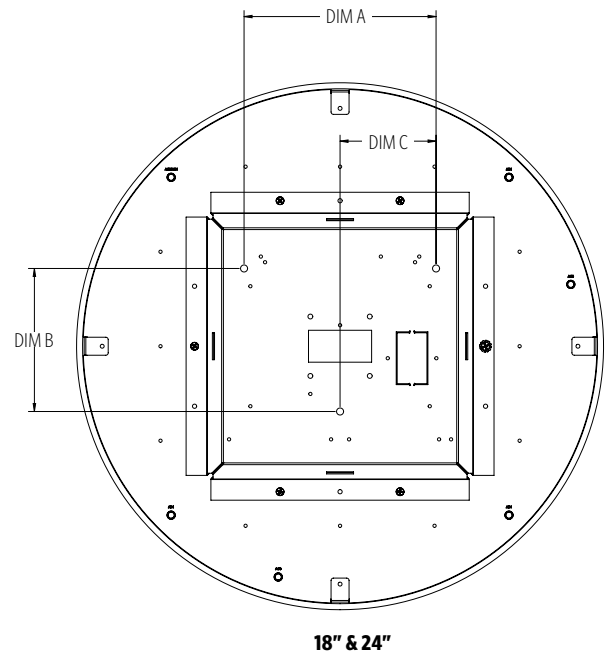
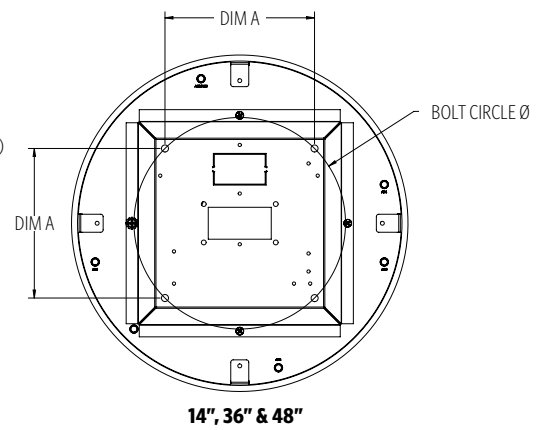
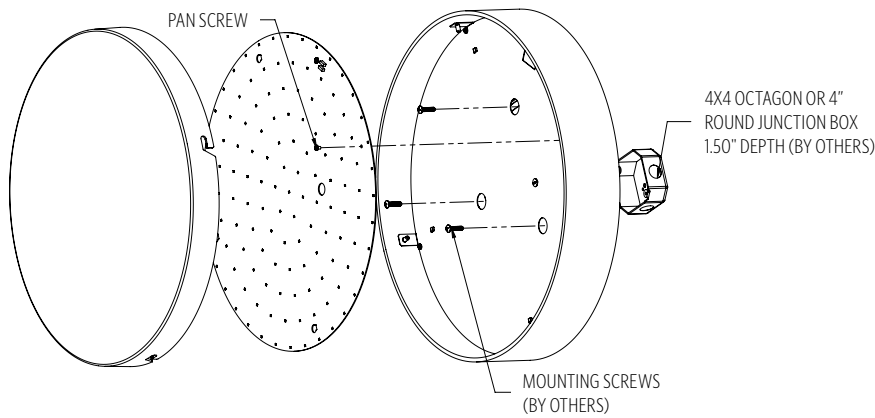
MOUNTING INFORMATION CHART						
LUMINAIRE DIAMETER	LUMINAIRE WEIGHT	MOUNTING DIMENSIONS DIM A	MOUNTING DIMENSIONS DIM B	MOUNTING DIMENSIONS DIM C	BOLT CIRCLE DIAMETER	MOUNTING POINTS
14"	15 LBS.	6.250"	N/A	N/A	8.750"	4
18"	20 LBS.	8.000"	6.000"	4.000"	N/A	3
24"	25 LBS.	8.000"	6.000"	4.000"	N/A	3
36"	47 LBS.	12.750"	N/A	N/A	18.000"	4
48"	70 LBS.	12.750"	N/A	N/A	18.000"	4



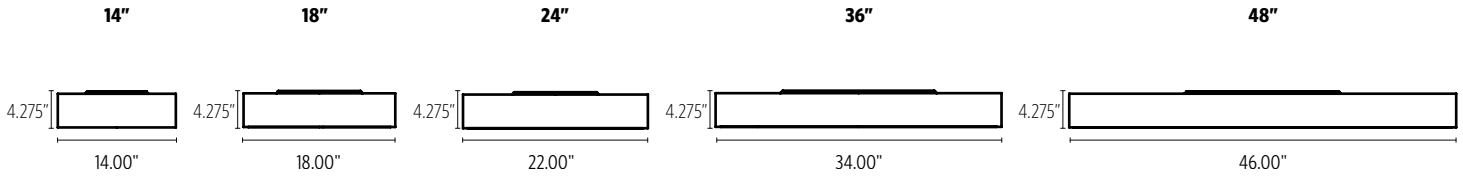


MOUNTING INFORMATION CHART

LUMINAIRE DIAMETER	LUMINAIRE WEIGHT	MOUNTING DIMENSIONS DIM A	MOUNTING DIMENSIONS DIM B	MOUNTING DIMENSIONS DIM C	BOLT CIRCLE DIAMETER	MOUNTING POINTS
14"	15 LBS.	6.250"	N/A	N/A	8.750"	4
18"	20 LBS.	8.000"	6.000"	4.000"	N/A	3
24"	25 LBS.	8.000"	6.000"	4.000"	N/A	3
36"	47 LBS.	12.750"	N/A	N/A	18.000"	4
48"	70 LBS.	12.750"	N/A	N/A	18.000"	4



SIZES



FINISH

TEXTURED POWDER COAT FINISHES:



BTP
BLACK
TEXTURED



WTP
WHITE
TEXTURED

METALLIC POWDER COAT FINISHES:



SMP
SILVER
METALLIC

RAL[®], Pantone[®] or custom finishes are also available.

These colors are for reference only. Please be aware that colors may vary per monitor. Contact your local rep for finish samples or with any questions.

DIFFUSER



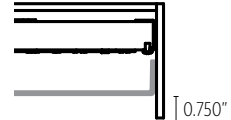
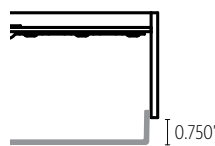
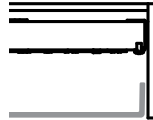
MWF MATTE WHITE
FLUSH LENS



MWD MATTE WHITE
DROP LENS



MWR MATTE WHITE
REGRESS LENS



LIGHT SOURCE

		LUMENS AND WATTAGE CHART				
		CQ2 - DIRECT				
		14"	18"	24"	36"	48"
LED1	LUMENS DELIVERED	725	1105	1505	4015	7915
	SYSTEM WATTAGE	10	13	18	46	85
LED2	LUMENS DELIVERED	1225	1875	2545	6775	13365
	SYSTEM WATTAGE	15	22	29	78	150
LED3	LUMENS DELIVERED	1690	2590	3500	9370	18450
	SYSTEM WATTAGE	21	30	41	114	220

CQ2-LED1 (DIRECT)		
ZONE	LUMENS	% OF LUMINAIRE
0-30	1095	28%
0-60	3165	79%
0-90	4015	100%
90-180	0	0%

This chart was created for a 35K color temp. Multiply by 0.95 for 27k color temp, 0.97 for 30k color temp, and 1.03 for 40k color temp. Values shown for 90+ CRI.

PHOTOMETRY:

FIXTURE: CQX-XXXX-X-36-MWF-XXX-LED1-935K
 COLOR TEMP #: 3500K
 EFFICACY: UP TO 106 LM/W
 TEST REPORT: TEST NO. ITL92435

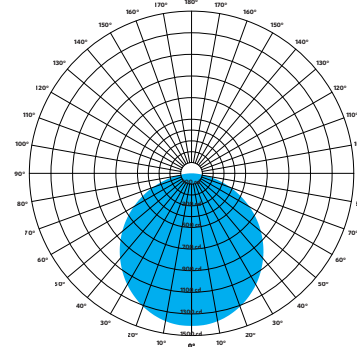
For all available IES files, please visit our website at oocl.com.

LUMEN MAINTENANCE - 14", 18", 24"

REPORTED: L70 AT > 60000 HRS
 CALCULATED: L70 AT 190000 HRS
 REPORTED: L90 AT 57000 HRS
 CALCULATED: L90 AT 57000 HRS

LUMEN MAINTENANCE - 36", 48"

REPORTED: L70 AT > 60000 HRS
 CALCULATED: L70 AT 185000 HRS
 REPORTED: L90 AT 55000 HRS
 CALCULATED: L90 AT 55500 HRS



CQ2-LED1 (DIRECT)

CONTROL

DM1 0-10V DIMMING DOWN TO 1%

- 0-10V DIMMING
- 1% MINIMUM DIMMING LEVEL
- POWER FACTOR >0.9
- THD <20%
- MIN AMBIENT OPERATING TEMPERATURE = -40°F
- LINEAR DIMMING CURVE
- FIELD REPLACEABLE

OPTIONS

ULD DAMP LABEL LUMINAIRE

- MAY BE USED IN A OUTDOOR AREA THAT IS PROTECTED FROM DIRECT CONTACT WITH WIND, RAIN, SNOW OR EXCESSIVE MOISTURE

MOD MODIFIED LUMINAIRE

- LUMINAIRE IS MODIFIED FROM STANDARD OPTIONS. CONTACT LOCAL REP FOR MORE INFORMATION

SPECIFICATIONS

CONSTRUCTION

- ALUMINUM FIXTURE HOUSING IS ROLLED AND WELDED FOR A SEAMLESS FINISH
- BOTTOM DIFFUSER IS VIRGIN WHITE ACRYLIC
- HANGING SYSTEMS USE STEEL OR ALUMINUM CANOPIES WITH AIRCRAFT CABLE SUPPORTS
- HARDWARE IS STEEL OR STAINLESS STEEL

MOUNTING

- **CINA** AND **SISA** MOUNT TO 4X4" OCTAGON OR 4" ROUND J-BOX AND ANCHOR SCREWS (BY OTHERS)

ELECTRICAL

- DIMMING ELECTRONIC DRIVER(S), COMES STANDARD WITH 0-10V DOWN TO 1%
- LUMINAIRE CONNECTS TO STANDARD BUILDING SUPPLY (120V - 277V, 50/60HZ)

LISTING

- ETL LISTED TO UL1598 FOR INDOOR, DRY LOCATION; DAMP LOCATION (**ULD**) LISTED IS OPTION

WARRANTY

- 5 YEAR; ALL ELECTRICAL COMPONENTS RETAIN THE MANUFACTURER'S WARRANTY

BUILD AMERICA, BUY AMERICA (BABA)

- THIS PRODUCT MEETS THE GUIDELINES FOR THE BUILD AMERICA, BUY AMERICA ACT. **SOME EXCLUSIONS APPLY.** FOR MORE INFORMATION AND A FULL LIST OF ELIGIBLE SKUS, VISIT **OCL.COM/BABA**

SUSTAINABILITY

- THIS PRODUCT MEETS THE MATERIAL RESTRICTIONS OF ARTICLE 4 OF THE **ROHS** DIRECTIVE (2011/65/EU), INCLUDING COMMISSION DELEGATED DIRECTIVE 2015/863

SAFETY REGULATIONS

- CAN BE USED FOR **TITLE 24 PART 6** AND **JA8-2016E** COMPLIANCE — CONTACT YOUR REP FOR HELP WITH YOUR PROJECT REQUIREMENTS AND LUMINAIRE SPECIFICATION

COMMON MODIFICATIONS

WE'RE BUILT FOR OUT-OF-THE-BOX THINKERS.

Nearly 50% of OCL fixtures we manufacture have some type of modification. Here is a list of common modifications we frequently produce. **Please contact the factory for modifications specific to your fixture or project.**

Need some help? Simply send your questions to us at **OCL-Quotes@ocl.com**

- BIOS, TUNABLE WHITE, WARM-DIM, & RGBW LIGHT SOURCES
- SPECIFIC LUMEN OUTPUT
- MODIFIED CLUSTERS OR CONFIGURATIONS / MULTI-DROP CANOPIES
- VARIOUS SHAPES, ARCS, AND CURVES FOR LINEAR PROFILES AND RINGS
- CEILING OR SURFACE MOUNTING
- LARGE SCALE MODIFICATIONS
- RAL, PANTONE, BRAND-SPECIFIC, RETIRED OCL COLOR, OR CUSTOM FINISHES



- EMERGENCY BATTERY BACKUP OR INVERTER OPTIONS
- REMOTE DRIVERS / EXTENDED DISTANCE REMOTE DRIVERS
- DIMMING TO 0.1% (DIM TO DARK)
- NON-STANDARD SIZES OR LENGTHS
- NON-STANDARD CANOPY, BODY AND/OR CORD COLORS
- SEISMIC AND/OR ANTI-SWAY SYSTEMS
- RIGID STEMS
- MODIFIED OVERALL HEIGHTS (LONGER OR SHORTER OAH)
- UPLIGHT ADDITIONS
- LASER ETCHING, ENGRAVING, AND CUTOUTS

The drawings and specifications and ideas, designs and arrangements represented on these drawings are and shall remain the property of The Original Cast Lighting (OCL Architectural Lighting) and no part thereof shall be copied, disclosed, to others or used in conjunction with any work or project other than the specified project for which they have been prepared and developed, without written consent of OCL. Visual contact with these plans or specifications shall constitute conclusive evidence of acceptance of these restrictions. All specifications and information subject to change without notice.