

# Kwyet Atla™

## PENDANT




- COMBINATION OF THE ATLA GLOBE AND 9MM SOUND-ABSORBING ACOUSTIC FINIS
- AVAILABLE IN 6", 12", AND 18" GLOBE DIAMETERS
- AVAILABLE WITH ROUND OR ANGLED ACOUSTIC FIN PROFILES WITH 3-FIN, 4-FIN, AND 6-FIN CONFIGURATIONS
- PRECISION LED LIGHT ENGINE DESIGNED FOR UNIFORM DIFFUSER ILLUMINATION ACROSS ALL SIZES
- CONSISTENT SURFACE LUMINANCE SUPPORTS VISUAL UNIFORMITY IN SINGLE AND MULTI-FIXTURE APPLICATIONS
- SEAMLESS MOLDED ACRYLIC DIFFUSER PROVIDES SOFT, UNIFORM ILLUMINATION
- AVAILABLE IN 11 STANDARD POWDER COAT FINISHES AND 20+ ACOUSTIC COLOR OPTIONS
- MULTIPLE MOUNTING OPTIONS: SURFACE CANOPY OR FLAT CANOPY (RECESSED JUNCTION BOX)
- UNIVERSAL VOLTAGE (120-277V)
- STANDARD 0-10V DIMMING (1%)



### CATALOG CODES

A	B	C	D	GW	F	G	H	UNV	J	DM1	L
SERIES	HANGING SYSTEM	ATLA SIZE	FIN COUNT	DIFFUSER	FINISH	ACOUSTIC COLOR	LIGHT SOURCE	VOLTAGE	OAH	CONTROL	OPTIONS

### SPECIFY CATALOG CODE

A	B	C	D	E	F	G
SERIES	HANGING SYSTEM*	ATLA SIZE**	FIN COUNT	DIFFUSER	FINISH	ACOUSTIC COLOR
 <b>AA2 ANGLE</b>	<b>MOUNTING TYPE - 6"</b>  <b>PICB</b> PENDANT WITH 5.75" SURFACE MOUNT CANOPY, SINGLE POWER CORD; MOUNTS TO 4X4 OCTAGON J-BOX (BY OTHERS);  <b>PIFC</b> PENDANT WITH 6" FLAT CANOPY, SINGLE POWER CORD; MOUNTS TO OCL RECESSED J-BOX (PROVIDED BY OCL);	<b>CORD COLOR</b>  <b>B</b> BLACK POWER CORD  <b>W</b> WHITE POWER CORD	<b>03</b>  <b>04</b>  <b>06</b>	<b>GW</b> GLOSS WHITE	<b>POWDER COAT FINISHES</b> <b>BKP</b> BLACK <b>CHG</b> CHARCOAL <b>BMP</b> BRASS METALLIC <b>BNP</b> BRONZE <b>BTP</b> BLACK TEXTURED <b>GRP</b> GRAPHITE <b>GLP</b> GOLDTASTIC <b>MWP</b> MATTE WHITE <b>SGP</b> STEEL GRAY <b>SMP</b> SILVER METALLIC <b>SWP</b> SKY WHITE <b>WTP</b> WHITE TEXTURED	<b>PBK</b> PURE BLACK <b>CHG</b> CHARCOAL <b>SLT</b> SLATE <b>SDG</b> SHADOW GRAY <b>PIC</b> PEARL ICE <b>CWH</b> CLASSIC WHITE <b>SLG</b> SILVER GRAY <b>NLT</b> NATURAL LINEN <b>HZW</b> HAZELWOOD <b>CFB</b> CORNFLOWER BLUE <b>DNB</b> DENIM BLUE <b>BRD</b> BRICK RED <b>MNB</b> MIDNIGHT BLUE <b>DPP</b> DEEP PURPLE <b>BRY</b> BERRY <b>CHR</b> CHERRY RED <b>CRT</b> CARROT <b>DWT</b> DEEPWATER <b>PNA</b> PINEAPPLE <b>LMS</b> LIMESTONE <b>EMG</b> EMERALD GREEN <b>BSL</b> BLUSH <b>SFM</b> SEAFOAM
	<b>MOUNTING TYPE - 12" OR 18"</b>  <b>PIFK</b> PENDANT WITH 5.75" SURFACE MOUNT CANOPY, SINGLE CENTER AIRCRAFT CABLE AND POWER CORD; MOUNTS TO 4X4 OCTAGON J-BOX (BY OTHERS)  <b>PIFB</b> PENDANT WITH 6" FLAT CANOPY, SINGLE CENTER AIRCRAFT CABLE AND POWER CORD; MOUNTS TO OCL RECESSED J-BOX (PROVIDED BY OCL)					

H	I	J	K	L
LIGHT SOURCE	VOLTAGE	OAH***	CONTROL	OPTIONS
<b>LED OUTPUT</b> <b>LED1</b> <b>LED2</b>  <b>NOTE: LED1 NOT AVAILABLE FOR 6"</b>	<b>COLOR TEMP</b> (90+ CRI) <b>927K</b> <b>930K</b> <b>935K</b> <b>940K</b>	<b>UNV</b> 120-277  <b>48</b> <b>100</b> <b>144</b>	<b>DM1</b> 0-10V DIMMING 1%  <b>NOTE: FOR ADDITIONAL CONTROL OPTIONS, CONTACT FACTORY</b>	<b>MOD</b> MODIFIED LUMINAIRE (CONTACT LOCAL REP)

SAMPLE CODE: AA2-PICBB-12-GW-BTP-SDG-LED1-935K-UNV-48-DM1

\*Fixtures with **PICB** or **PIFK** hanging system, canopy will match finish choice. Fixtures with **PIFB** or **PIFC** hanging system, canopy will be **MWP** unless specified.

\*\*Nominal fixture sizes reference the Atla globe diameter. Overall dimensions vary by fin profile and fin configuration. See **SIZES** section on **Page 4** for complete dimensions.

\*\*\*For Minimum OAH, see hanging systems details. Fixture will ship with one of three standard OAH's (48", 100" or 144") field adjustable to the desired height.

UP TO **115** LM/W

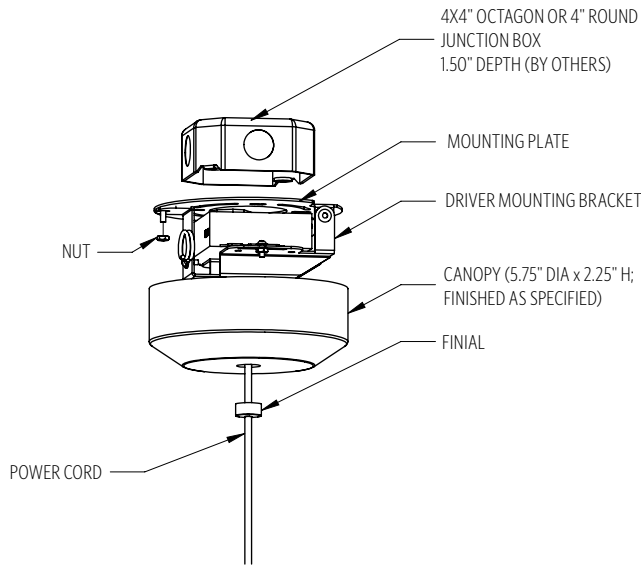
LUMENS AND WATTAGE CHART		6"	12"	18"
<b>LED1</b>	LUMENS DELIVERED	-	1030	2135
	SYSTEM WATTAGE	-	9	19
<b>LED2</b>	LUMENS DELIVERED	270	1375	2930
	SYSTEM WATTAGE	4	13	26

This chart was created for a 35K color temp. Multiply by 0.95 for 27k color temp, 0.97 for 30k color temp, and 1.03 for 40k color temp. Values shown for 90+ CRI.

### MODS, NOTES, & COMMENTS

## HANGING SYSTEM

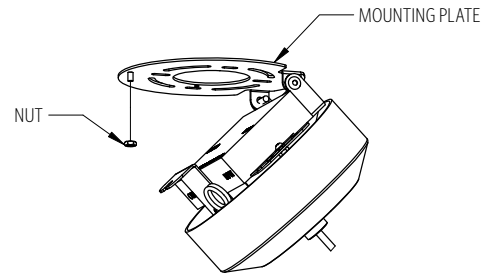
**PICB** PENDANT WITH 5.75" SURFACE MOUNT CANOPY, SINGLE POWER CORD;  
MOUNTS TO 4X4 OCTAGON J-BOX (BY OTHERS);



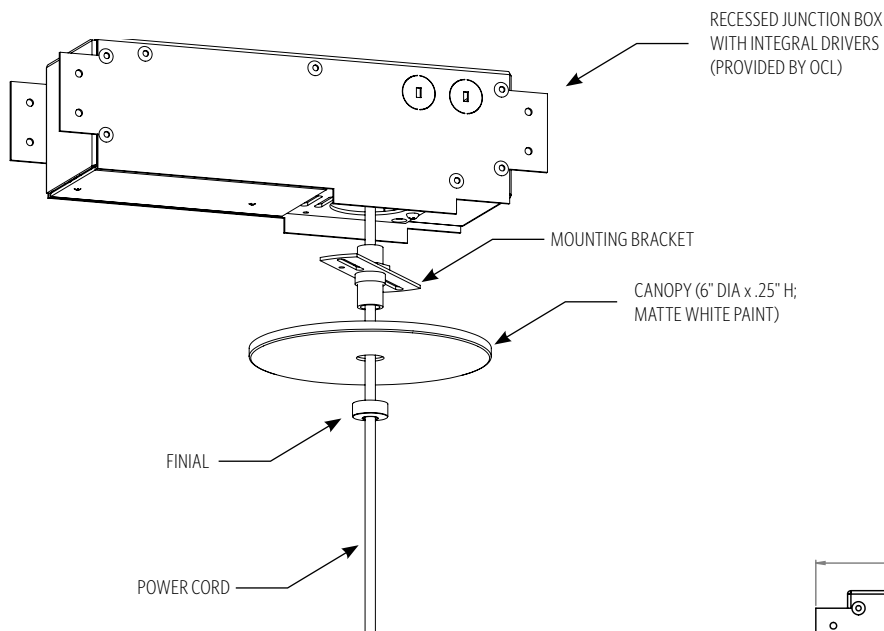
### MOUNTING INFORMATION CHART

LUMINAIRE DIAMETER	LUMINAIRE WEIGHT	MIN/MAX OAH
6"	5 LBS	17"/144"

**PICB** ships with one of three OAH's (48", 100" or 144") and is field adjustable to the desired height.



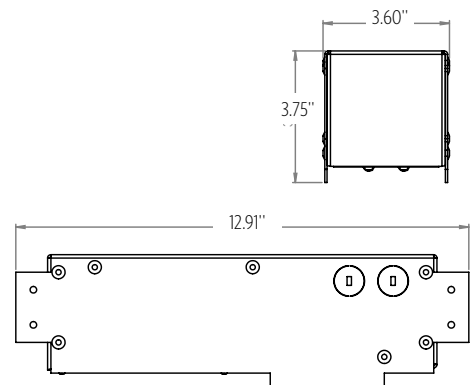
**PIFC** PENDANT WITH 6" FLAT CANOPY, SINGLE POWER CORD; MOUNTS  
TO OCL RECESSED J-BOX (PROVIDED BY OCL);



### MOUNTING INFORMATION CHART

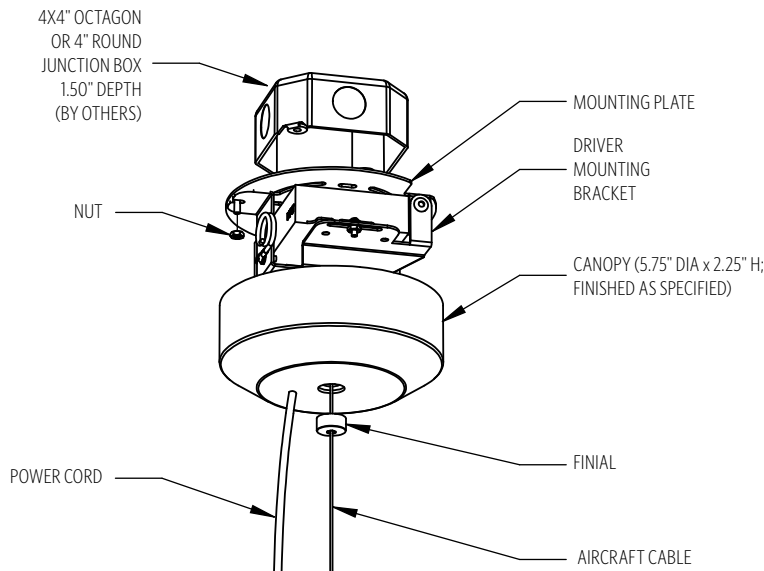
LUMINAIRE DIAMETER	LUMINAIRE WEIGHT	MIN/MAX OAH
6"	5 LBS	17"/144"

**PIFC** ships with one of three OAH's (48", 100" or 144") and is field adjustable to the desired height.



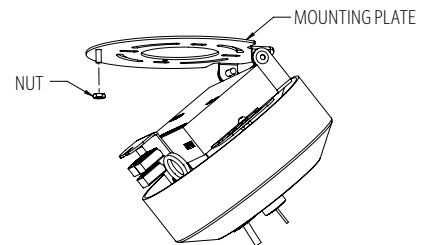
**PROFILE VIEW**  
RECESSED JUNCTION BOX

**P1FK** PENDANT WITH SURFACE MOUNT CANOPY, SINGLE CENTER AIRCRAFT CABLE AND POWER CORD; MOUNTS TO 4X4 OCTAGON J-BOX (BY OTHERS)

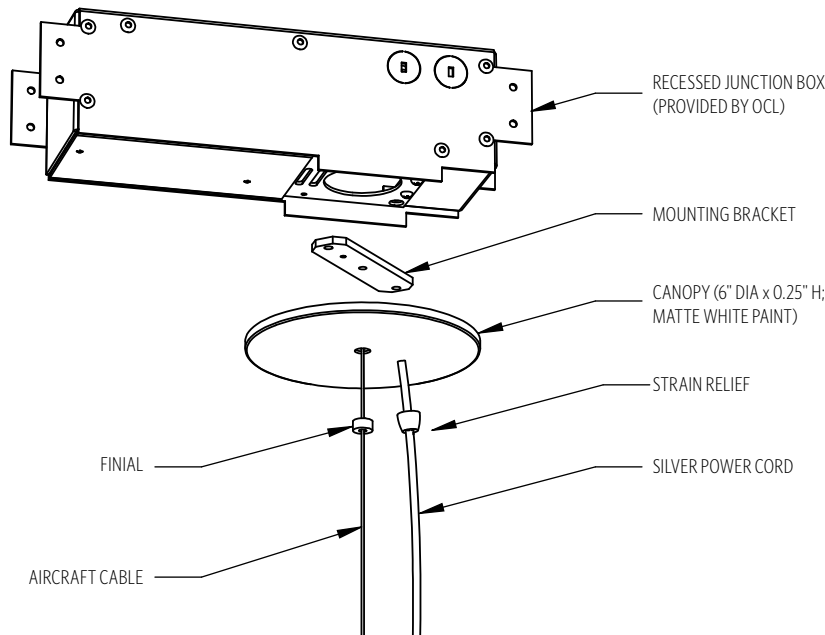


MOUNTING INFORMATION CHART		
LUMINAIRE DIAMETER	LUMINAIRE WEIGHT	MIN/MAX OAH
12"	11 LBS	28"/144"
18"	16 LBS	40"/144"

**P1FK** ships with one of three OAH's (48", 100" or 144") and is field adjustable to the desired height.

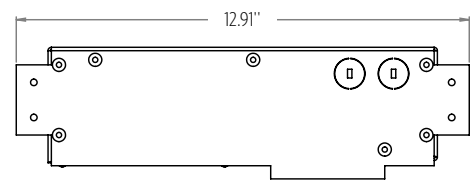
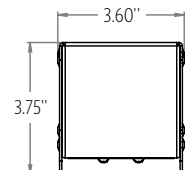


**P1FB** PENDANT WITH FLAT CANOPY, SINGLE CENTER AIRCRAFT CABLE AND POWER CORD; MOUNTS TO OCL RECESSED J-BOX (PROVIDED BY OCL)



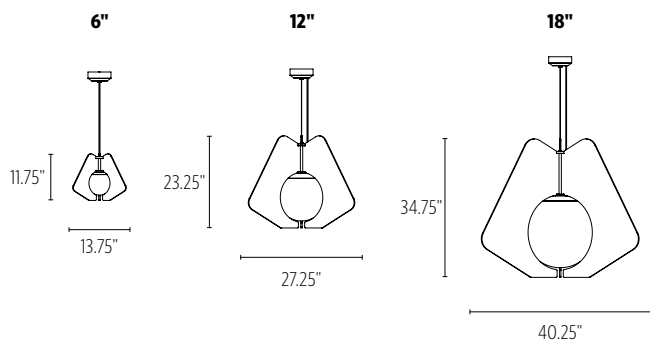
MOUNTING INFORMATION CHART		
LUMINAIRE DIAMETER	LUMINAIRE WEIGHT	MIN/MAX OAH
12"	11 LBS	28"/144"
18"	16 LBS	40"/144"

**P1FB** ships with one of three OAH's (48", 100" or 144") and is field adjustable to the desired height.

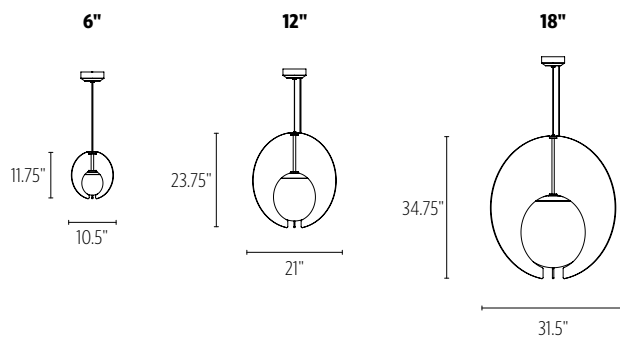


**PROFILE VIEW**  
RECESSED JUNCTION BOX

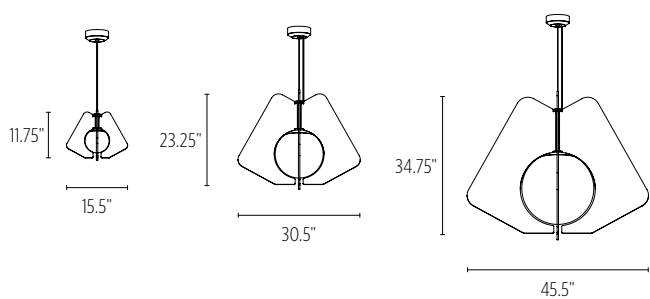
**AA2: 3 FIN**



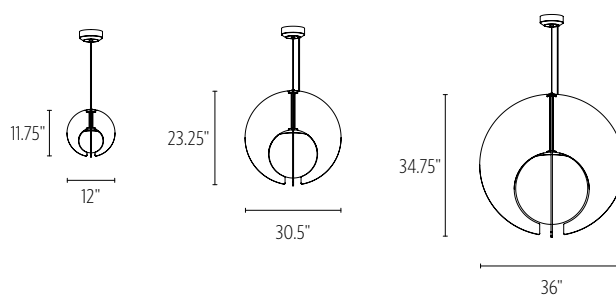
**AA3: 3 FIN**



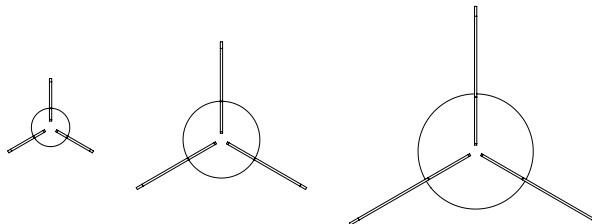
**AA2: 4 FIN AND 6 FIN**



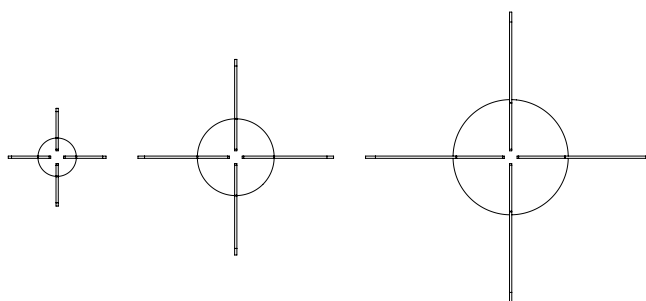
**AA3: 4 FIN AND 6 FIN**



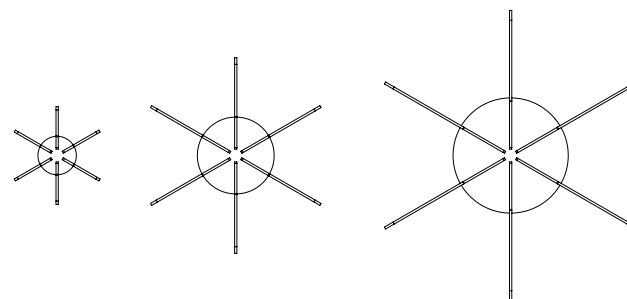
**BOTTOM VIEW: 3 FIN**



**BOTTOM VIEW: 4 FIN**



**BOTTOM VIEW: 6 FIN**



**DIFFUSER**



**GW** GLOSS WHITE

**FINISH**

**METALLIC POWDER COAT FINISHES:**



**SMP**  
SILVER



**GRP**  
GRAPHITE



**SGP**  
STEEL GRAY



**GLP**  
GOLDTASTIC



**BMP**  
BRASS



**BNP**  
BRONZE

**PREMIUM METAL FINISHES:**



**BAL**  
BRUSHED  
ALUMINUM

**SOLID POWDER COAT FINISHES:**



**SWP**  
SKY WHITE



**MWP**  
MATTE  
WHITE



**BKP**  
BLACK

**TEXTURED POWDER COAT FINISHES:**



**BTP**  
BLACK  
TEXTURED



**WTP**  
WHITE  
TEXTURED

**RAL, Pantone or custom finishes are also available.**

These colors are for reference only. Please be aware that colors may vary per monitor. Contact your local rep for finish samples or with any questions.

**ACOUSTIC**

**ACOUSTIC COLORS:**



**PBK**  
PURE BLACK



**CHG**  
CHARCOAL



**SLT**  
SLATE



**SDG**  
SHADOW  
GRAY



**PIC**  
PEARL ICE



**CWH**  
CLASSIC  
WHITE



**SLG**  
SILVER  
GRAY



**BRY**  
BERRY



**CHR**  
CHERRY  
RED



**NTL**  
NATURAL  
LINEN



**HZW**  
HAZELWOOD



**CFB**  
CORNFLOWER  
BLUE



**DNB**  
DENIM BLUE



**BRD**  
BRICK RED



**MNB**  
MIDNIGHT  
BLUE



**DPP**  
DEEP  
PURPLE



**EMG**  
EMERALD  
GREEN



**CRT**  
CARROT



**DWT**  
DEEPWATER



**PNA**  
PINEAPPLE



**LMS**  
LIMESTONE



**BLS**  
BLUSH



**SFM**  
SEAFOAM

These colors are for reference only. Please be aware that colors may vary per monitor. Contact your local rep with any questions.

**Request a swatch sample at [ocl.com/finishes](http://ocl.com/finishes)**

## LIGHT SOURCE

### PHOTOMETRY:

LUMINAIRE: AAX-XXXX-X-GW-XXX-LED2\_935K  
 COLOR TEMP #: 3500K  
 EFFICACY: UP TO 115 LM/W  
 TEST REPORT: TEST NO. 106393969CHI-002

For all available IES files, please visit our website at ocl.com.

LUMENS AND WATTAGE CHART		6"	12"	18"
LED1	LUMENS DELIVERED	-	1030	2135
	SYSTEM WATTAGE	-	9	19
LED2	LUMENS DELIVERED	270	1375	2930
	SYSTEM WATTAGE	4	13	26

This chart was created for a 35K color temp. Multiply by 0.95 for 27k color temp, 0.97 for 30k color temp, and 1.03 for 40k color temp. Values shown for 90+ CRI.

ZONE	LUMENS	% OF LUMINAIRE
0-30	20	7%
0-60	77	29%
0-90	157	58%
90-180	114	42%
0-180	271	100%

Based on the 6" LED2 luminaire and provided for reference only. May vary by size and configuration. Refer to IES files on ocl.com for detailed photometric data.\*

### LUMEN MAINTENANCE - 6"

**REPORTED:** L70 AT >50000 HRS

**CALCULATED:** L70 AT 185000 HRS

**REPORTED:** L90 AT 51000 HRS

**CALCULATED:** L90 AT 51000 HRS

### LUMEN MAINTENANCE - 12", 18"

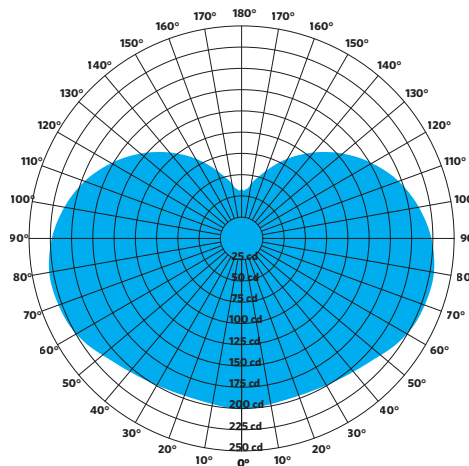
**REPORTED:** L70 AT >60000 HRS

**CALCULATED:** L70 AT 104000 HRS

**REPORTED:** L90 AT 32000 HRS

**CALCULATED:** L90 AT 32000 HRS

Derived from EPA TM-21 calculator. Based on typical conditions. Consult the factory for additional details.



AAX-XXXX-18-GW-XXXX-LED2-935K

## CONTROL

### DM1 0-10V DIMMING 1%

- 0-10V DIMMING
- 1% MINIMUM DIM LEVEL
- ELECTRONIC DRIVER WITH SOFT START ACTIVATION
- POWER FACTOR >0.9
- THD <20%
- MINIMUM AMBIENT OPERATING TEMPERATURE -31°F
- FIELD REPLACEABLE
- LINEAR DIMMING CURVE
- DIM TO OFF

## OPTIONS

### MOD MODIFIED LUMINAIRE

- LUMINAIRE IS MODIFIED FROM STANDARD OPTIONS. CONTACT LOCAL REP FOR MORE INFORMATION

## SPECIFICATIONS

### CONSTRUCTION

- DIFFUSER IS MOLDED ACRYLIC IN ONE PIECE WITHOUT VISIBLE SEAMS OR JOINTS
- SPUN ALUMINUM COVER WITH CAST FINIAL
- CAST ALUMINUM LED MOUNT/HEAT SINK
- HANGING SYSTEMS USE STEEL OR ALUMINUM CANOPIES WITH AIRCRAFT CABLE SUPPORTS
- HARDWARE IS STEEL OR STAINLESS STEEL

### MOUNTING

- **PICB & P1FK** MOUNT TO 4X4" OCTAGON OR 4" ROUND J-BOX (BY OTHER)
- **P1FC** AND **P1FB** MOUNT TO OCL PROPRIETARY RECESSED J-BOX (PROVIDED BY OCL)

### ELECTRICAL

- DIMMING ELECTRONIC DRIVER, COMES STANDARD WITH 0-10V DOWN TO 1%
- 6" SIZE UTILIZE BRIDGELUX COB LIGHT ENGINES
- 12", AND 18" SIZES UTILIZE OCL PROPRIETARY LED ARRAYS WITH NICHIA 757 DIODES
- LUMINAIRE CONNECTS TO BUILDING SUPPLY (120V-277V 50/60HZ)

### ACOUSTIC PANEL

- AFFIXED ACOUSTIC PANEL AIDS IN THE REDUCTION OF SOUND REFLECTIONS, REVERBERATION, AND ECHO
- ASTM E-84 CLASS A / CAN ULC S102 FLAME SPREAD: 0 | SMOKE DEVELOPMENT INDEX: 300
- 9MM 100% POLYESTER FIBER PANEL WITH A MINIMUM 50% POST-CONSUMER RECYCLED MATERIAL (PET)
- ACOUSTIC PERFORMANCE (ASTM C423) TEST REPORT AVAILABLE AT OCL.COM
- VARIATIONS IN FIBER MIX AND COLOR MAY OCCUR. ALL PRODUCTS WILL BE SUPPLIED WITHIN COMMERCIAL TOLERANCES
- **CARE & CLEANING:** REMOVE DUST AND DEBRIS WITH A CLEAN, SOFT, LINT-FREE CLOTH OR VACUUM

### LISTING

- ETL LISTED TO UL 1598 FOR DRY LOCATIONS

### WARRANTY

- 5 YEAR; ALL ELECTRICAL COMPONENTS RETAIN THE MANUFACTURER'S WARRANTY

### SUSTAINABILITY

- THIS PRODUCT MEETS THE MATERIAL RESTRICTIONS OF ARTICLE 4 OF THE **ROHS** DIRECTIVE (2011/65/EU), INCLUDING COMMISSION DELEGATED DIRECTIVE 2015/863

### SAFETY REGULATIONS

- CAN BE USED FOR **TITLE 24 PART 6** AND **JA8-2016E** COMPLIANCE — CONTACT YOUR REP FOR HELP WITH YOUR PROJECT REQUIREMENTS AND LUMINAIRE SPECIFICATION

## COMMON MODIFICATIONS

### WE'RE BUILT FOR OUT-OF-THE-BOX THINKERS.

Nearly 50% of OCL fixtures we manufacture have some type of modification. Here is a list of common modifications we frequently produce. **Please contact the factory for modifications specific to your fixture or project.**

Need some help? Simply send your questions to us at [OCL-Quotes@ocl.com](mailto:OCL-Quotes@ocl.com)

- BIOS, TUNABLE WHITE, WARM-DIM, & RGBW LIGHT SOURCES
- SPECIFIC LUMEN OUTPUT
- MODIFIED CLUSTERS OR CONFIGURATIONS / MULTI-DROP CANOPIES
- VARIOUS SHAPES, ARCS, AND CURVES FOR LINEAR PROFILES AND RINGS
- CEILING OR SURFACE MOUNTING
- LARGE SCALE MODIFICATIONS
- RAL, PANTONE, BRAND-SPECIFIC, RETIRED OCL COLOR, OR CUSTOM FINISHES



- EMERGENCY BATTERY BACKUP OR INVERTER OPTIONS
- REMOTE DRIVERS / EXTENDED DISTANCE REMOTE DRIVERS
- DIMMING TO 0.1% (DIM TO DARK)
- NON-STANDARD SIZES OR LENGTHS
- NON-STANDARD CANOPY, BODY AND/OR CORD COLORS
- SEISMIC AND/OR ANTI-SWAY SYSTEMS
- RIGID STEMS
- MODIFIED OVERALL HEIGHTS (LONGER OR SHORTER OAH)
- UPLIGHT ADDITIONS
- LASER ETCHING, ENGRAVING, AND CUTOUTS

The drawings and specifications and ideas, designs and arrangements represented on these drawings are and shall remain the property of The Original Cast Lighting (OCL Architectural Lighting) and no part thereof shall be copied, disclosed, to others or used in conjunction with any work or project other than the specified project for which they have been prepared and developed, without written consent of OCL. Visual contact with these plans or specifications shall constitute conclusive evidence of acceptance of these restrictions. All specifications and information subject to change without notice.