

Atla™

PENDANT




- AVAILABLE IN 7 DIAMETERS: 6", 8", 10", 12", 14", 18", AND 22"
- 90+ CRI WITH 2700K, 3000K, 3500K, AND 4000K CCT OPTIONS
- PRECISION LED LIGHT ENGINE DESIGNED FOR UNIFORM DIFFUSER ILLUMINATION ACROSS ALL SIZES
- SEAMLESS MOLDED ACRYLIC DIFFUSER PROVIDES UNIFORM ILLUMINATION
- CONSISTENT SURFACE LUMINANCE ACROSS ALL DIAMETERS, SUPPORTING VISUAL UNIFORMITY IN SINGLE AND MULTI-FIXTURE APPLICATIONS
- MULTIPLE MOUNTING OPTIONS: SURFACE CANOPY OR FLAT CANOPY (RECESSED JUNCTION BOX)
- UNIVERSAL VOLTAGE (120-277V)
- STANDARD 0-10V DIMMING (1%)
- STANDARD, MODIFIED, MULTI-DROP, AND CUSTOM CONFIGURATIONS AVAILABLE
- UL DAMP LOCATION LISTED (ULD OPTION)



CATALOG CODES

AA1	-	B	-	C	-	GW	-	E	-	F	-	UNV	-	H	-	DM1	-	J
SERIES		HANGING SYSTEM		SIZE		DIFFUSER		FINISH		LIGHT SOURCE		VOLTAGE		OAH		CONTROL		OPTIONS

SPECIFY CATALOG CODE

A	B	C	D	E
SERIES	HANGING SYSTEM*	SIZE	DIFFUSER	FINISH
 AA1 ATLA	MOUNTING TYPE - 6", 8", OR 10" P1CB PENDANT WITH 5.75" SURFACE MOUNT CANOPY, SINGLE POWER CORD; MOUNTS TO 4X4 OCTAGON J-BOX (BY OTHERS); P1FC PENDANT WITH 6" FLAT CANOPY, SINGLE POWER CORD; MOUNTS TO OCL RECESSED J-BOX (PROVIDED BY OCL);	CORD COLOR B BLACK POWER CORD W WHITE POWER CORD	GW GLOSS WHITE	POWDER COAT FINISHES BKP BLACK BMP BRASS METALLIC BNP BRONZE BTP BLACK TEXTURED GRP GRAPHITE GLP GOLDTASTIC MWP MATTE WHITE SGP STEEL GRAY SMP SILVER METALLIC SWP SKY WHITE WTP WHITE TEXTURED
	MOUNTING TYPE - 12", 14", 18", OR 22" P1FK PENDANT WITH 5.75" SURFACE MOUNT CANOPY, SINGLE CENTER AIRCRAFT CABLE AND POWER CORD; MOUNTS TO 4X4 OCTAGON J-BOX (BY OTHERS) P1FB PENDANT WITH 6" FLAT CANOPY, SINGLE CENTER AIRCRAFT CABLE AND POWER CORD; MOUNTS TO OCL RECESSED J-BOX (PROVIDED BY OCL)			12 14 18 22

F	G	H	I	J
LIGHT SOURCE	VOLTAGE	OAH**	CONTROL	OPTIONS
LED OUTPUT LED1 LED2 NOTE: LED1 NOT AVAILABLE FOR 6"	COLOR TEMP (90+ CRI) 927K 930K 935K 940K	UNV 120-277 48 100 144	DM1 0-10V DIMMING 1% NOTE: FOR ADDITIONAL CONTROL OPTIONS, CONTACT FACTORY	ULD DAMP LABEL MOD MODIFIED LUMINAIRE (CONTACT LOCAL REP)

SAMPLE CODE: AA1-P1CB-B-12-GW-BTP-LED1-935K-UNV-48-DM1

*Fixtures with **P1CB** or **P1FK** hanging system, canopy will match finish choice. Fixtures with **P1FB** or **P1FC** hanging system, canopy will be **MWP** unless specified.

** For Minimum OAH, see hanging systems details. Fixture will ship with one of three standard OAH's (48", 100" or 144") field adjustable to the desired height.

UP TO **124** LM/W

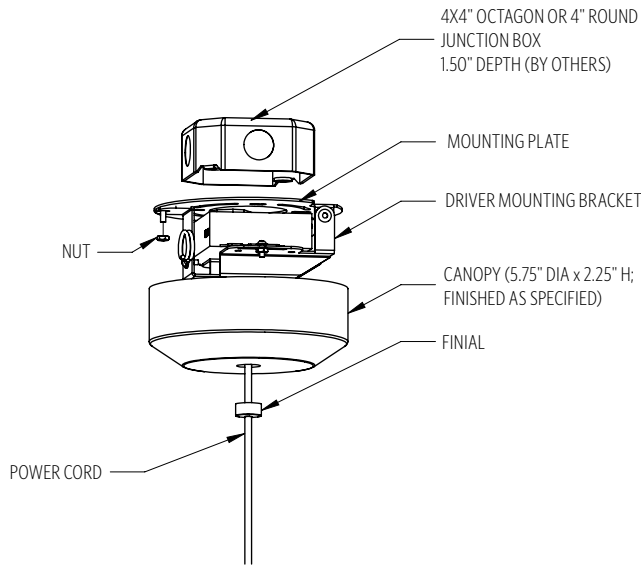
LUMENS AND WATTAGE CHART		6"	8"	10"	12"	14"	18"	22"
LED1	LUMENS DELIVERED	-	425	675	1110	1490	2255	3215
	SYSTEM WATTAGE	-	5	7	9	12	19	31
LED2	LUMENS DELIVERED	310	590	900	1485	1990	2965	4230
	SYSTEM WATTAGE	4	6	9	13	16	26	42

This chart was created for a 35K color temp. Multiply by 0.95 for 27k color temp, 0.97 for 30k color temp, and 1.03 for 40k color temp. Values shown for 90+ CRI.

MODS, NOTES, AND COMMENTS

HANGING SYSTEM

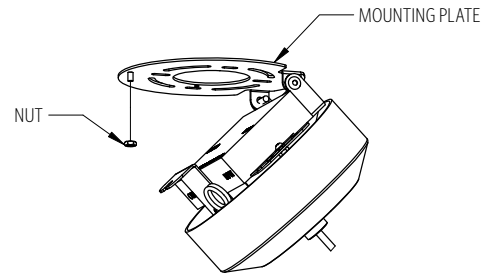
PICB PENDANT WITH 5.75" SURFACE MOUNT CANOPY, SINGLE POWER CORD;
MOUNTS TO 4X4 OCTAGON J-BOX (BY OTHERS);



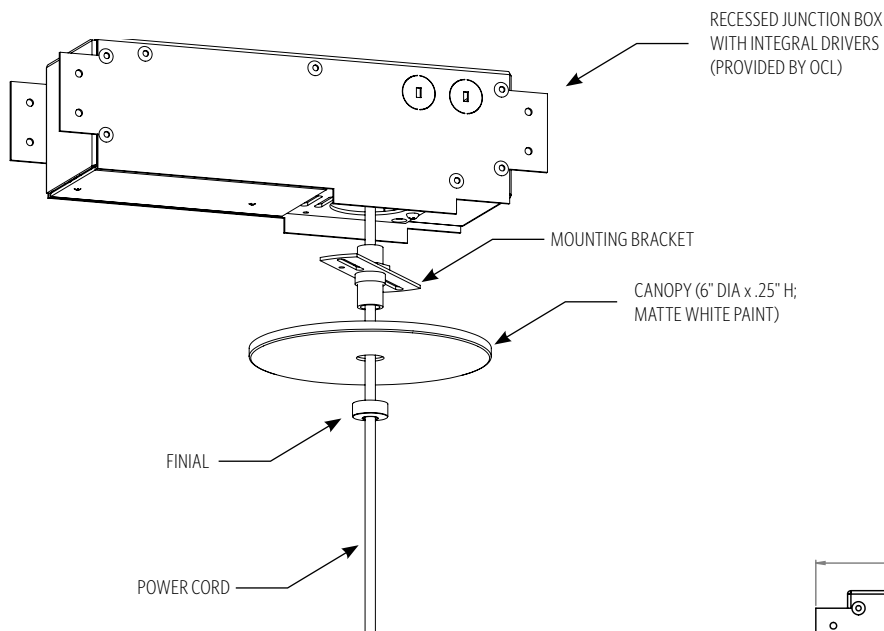
MOUNTING INFORMATION CHART

LUMINAIRE DIAMETER	LUMINAIRE WEIGHT	MIN/MAX OAH
6"	4 LBS	12"/144"
8"	4 LBS	14"/144"
10"	5 LBS	16"/144"

PICB ships with one of three OAH's (48", 100" or 144") and is field adjustable to the desired height.



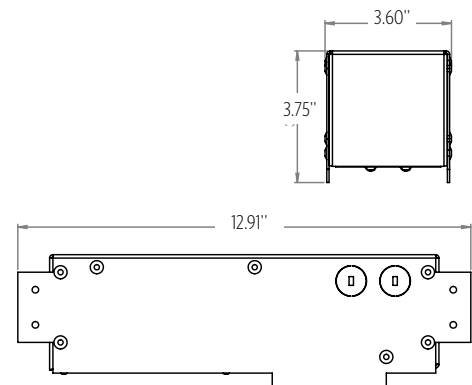
PIFC PENDANT WITH 6" FLAT CANOPY, SINGLE POWER CORD; MOUNTS
TO OCL RECESSED J-BOX (PROVIDED BY OCL);



MOUNTING INFORMATION CHART

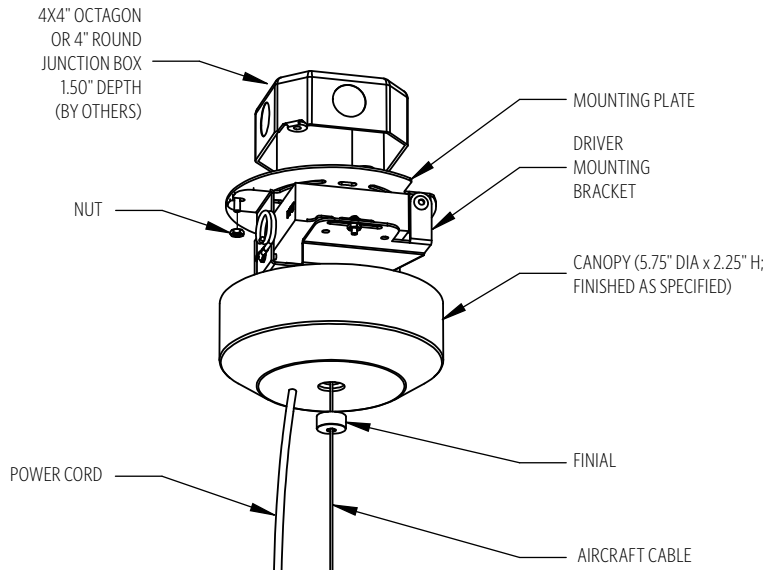
LUMINAIRE DIAMETER	LUMINAIRE WEIGHT	MIN/MAX OAH
6"	4 LBS	12"/144"
8"	4 LBS	14"/144"
10"	5 LBS	16"/144"

PIFC ships with one of three OAH's (48", 100" or 144") and is field adjustable to the desired height.



PROFILE VIEW
RECESSED JUNCTION BOX

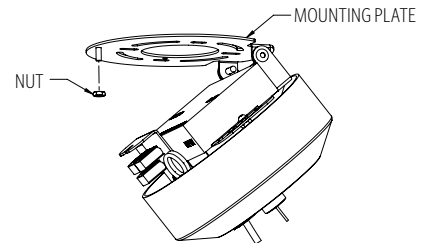
P1FK PENDANT WITH SURFACE MOUNT CANOPY, SINGLE CENTER AIRCRAFT CABLE AND POWER CORD; MOUNTS TO 4X4 OCTAGON J-BOX (BY OTHERS)



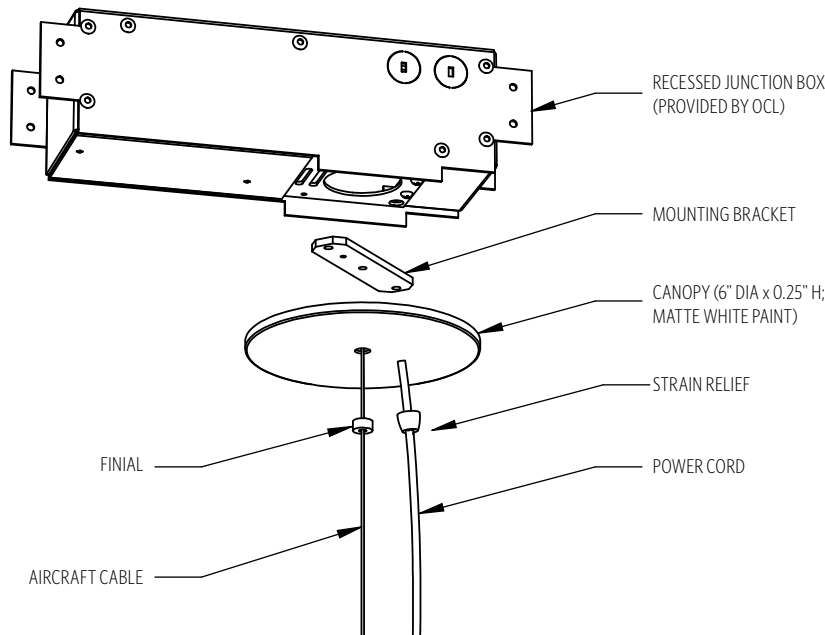
MOUNTING INFORMATION CHART

LUMINAIRE DIAMETER	LUMINAIRE WEIGHT	MIN/MAX OAH
12"	9 LBS	18"/144"
14"	10 LBS	20"/144"
18"	14 LBS	24"/144"
22"	16 LBS	28"/144"

P1FK ships with one of three OAH's (48", 100" or 144") and is field adjustable to the desired height.



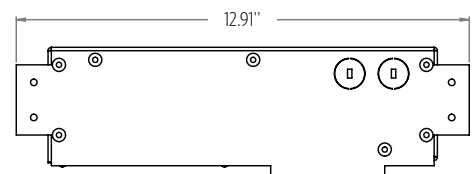
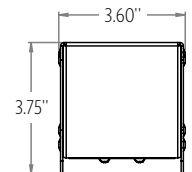
P1FB PENDANT WITH FLAT CANOPY, SINGLE CENTER AIRCRAFT CABLE AND POWER CORD; MOUNTS TO OCL RECESSED J-BOX (PROVIDED BY OCL)



MOUNTING INFORMATION CHART

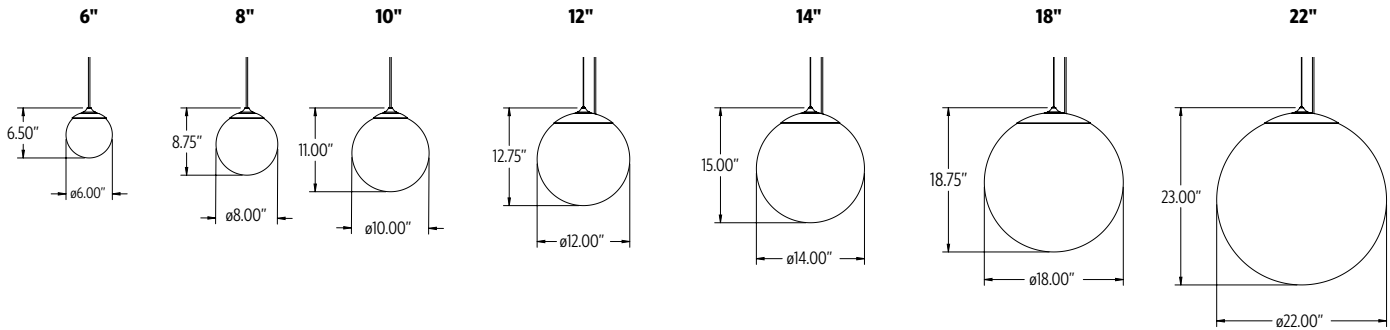
LUMINAIRE DIAMETER	LUMINAIRE WEIGHT	MIN/MAX OAH
12"	9 LBS	18"/144"
14"	10 LBS	20"/144"
18"	14 LBS	24"/144"
22"	16 LBS	28"/144"

P1FB ships with one of three OAH's (48", 100" or 144") and is field adjustable to the desired height.



PROFILE VIEW
RECESSED JUNCTION BOX

SIZES



DIFFUSER



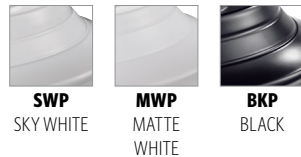
FINISH

METALLIC POWDER COAT FINISHES:



PREMIUM METAL FINISHES:

SOLID POWDER COAT FINISHES:



TEXTURED POWDER COAT FINISHES:



RAL®, Pantone® or custom finishes are also available.

These colors are for reference only. Please be aware that colors may vary per monitor. Contact your local rep for finish samples or with any questions.

LIGHT SOURCE

PHOTOMETRY:

LUMINAIRE: AA1-XXXX-X-GW-XXX-LEDX_935K
 COLOR TEMP #: 3500K
 EFFICACY: UP TO 124 LM/W
 TEST REPORT: TEST NO. 106393969CHI-002

For all available IES files, please visit our website at ocl.com.

LUMENS AND WATTAGE CHART		6"	8"	10"	12"	14"	18"	22"
LED1	LUMENS DELIVERED	-	425	675	1110	1490	2255	3215
	SYSTEM WATTAGE	-	5	7	9	12	19	31
LED2	LUMENS DELIVERED	310	590	900	1485	1990	2965	4230
	SYSTEM WATTAGE	4	6	9	13	16	26	42

This chart was created for a 35K color temp. Multiply by 0.95 for 27k color temp, 0.97 for 30k color temp, and 1.03 for 40k color temp. Values shown for 90+ CRI.

ZONE	LUMENS	% OF LUMINAIRE
0-30	275	7%
0-60	1090	26%
0-90	2250	53%
90-180	1975	47%
0-180	4230	100%

Based on the 22" luminaire and provided for reference only. May vary by size and configuration. Refer to IES files on ocl.com for detailed photometric data.

LUMEN MAINTENANCE - 6", 8", & 10"

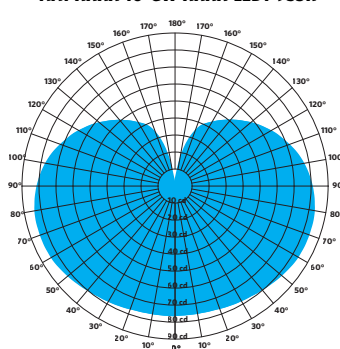
REPORTED: L70 AT >55000 HRS
CALCULATED: L70 AT 185000 HRS
REPORTED: L90 AT 51000 HRS
CALCULATED: L90 AT 51000 HRS

LUMEN MAINTENANCE - 12", 14", 18", & 22"

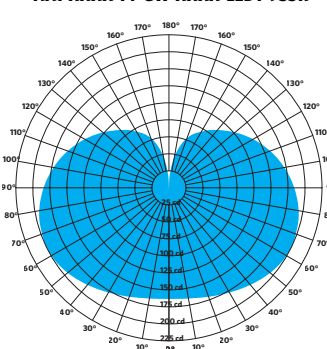
REPORTED: L70 AT >60000 HRS
CALCULATED: L70 AT 104000 HRS
REPORTED: L90 AT 32000 HRS
CALCULATED: L90 AT 32000 HRS

Derived from EPA TM-21 calculator. Based on typical conditions. Consult the factory for additional details.

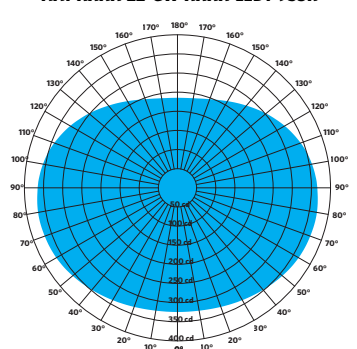
AA1-XXXX-10-GW-XXXX-LED1-935K



AA1-XXXX-14-GW-XXXX-LED1-935K



AA1-XXXX-22-GW-XXXX-LED1-935K



CONTROL

DM1 0-10V DIMMING 1%

- 0-10V DIMMING
- 1% MINIMUM DIM LEVEL
- ELECTRONIC DRIVER WITH SOFT START ACTIVATION
- POWER FACTOR >0.9
- THD <20%
- MINIMUM AMBIENT OPERATING TEMPERATURE -31°F
- FIELD REPLACEABLE
- LINEAR DIMMING CURVE
- DIM TO OFF

OPTIONS

ULD DAMP LABEL LUMINAIRE

- MAY BE USED IN A OUTDOOR AREA THAT IS PROTECTED FROM DIRECT CONTACT WITH WIND, RAIN, SNOW OR EXCESSIVE MOISTURE

MOD MODIFIED LUMINAIRE

- LUMINAIRE IS MODIFIED FROM STANDARD OPTIONS. CONTACT LOCAL REP FOR MORE INFORMATION

SPECIFICATIONS

CONSTRUCTION

- DIFFUSER IS MOLDED ACRYLIC IN ONE PIECE WITHOUT VISIBLE SEAMS OR JOINTS
- SPUN ALUMINUM COVER WITH CAST FINIAL
- CAST ALUMINUM LED MOUNT/HEAT SINK
- HANGING SYSTEMS USE STEEL OR ALUMINUM CANOPIES WITH AIRCRAFT CABLE SUPPORTS
- HARDWARE IS STEEL OR STAINLESS STEEL

MOUNTING

- **PICB** AND **PIFK** MOUNT TO 4X4" OCTAGON OR 4" ROUND J-BOX (BY OTHER)
- **PIFC** AND **PIFB** MOUNT TO OCL PROPRIETARY RECESSED J-BOX (PROVIDED BY OCL)

ELECTRICAL

- DIMMING ELECTRONIC DRIVER, COMES STANDARD WITH 0-10V DOWN TO 1%
- 6", 8", AND 10" SIZES UTILIZE BRIDGELUX COB LIGHT ENGINES
- 12", 14", 18", AND 22" SIZES UTILIZE OCL PROPRIETARY LED ARRAYS WITH NICHIA 757 DIODES
- LUMINAIRE CONNECTS TO BUILDING SUPPLY (120V-277V 50/60HZ)

LISTING

- ETL LISTED TO UL 1598 FOR DRY LOCATIONS, DAMP LOCATION (**ULD**) LISTED IS OPTION

WARRANTY

- 5 YEAR; ALL ELECTRICAL COMPONENTS RETAIN THE MANUFACTURER'S WARRANTY

SUSTAINABILITY

- THIS PRODUCT MEETS THE MATERIAL RESTRICTIONS OF ARTICLE 4 OF THE **ROHS** DIRECTIVE (2011/65/EU), INCLUDING COMMISSION DELEGATED DIRECTIVE 2015/863

SAFETY REGULATIONS

- CAN BE USED FOR **TITLE 24 PART 6** AND **JA8-2016E** COMPLIANCE — CONTACT YOUR REP FOR HELP WITH YOUR PROJECT REQUIREMENTS AND LUMINAIRE SPECIFICATION

COMMON MODIFICATIONS

WE'RE BUILT FOR OUT-OF-THE-BOX THINKERS.

Nearly 50% of OCL fixtures we manufacture have some type of modification. Here is a list of common modifications we frequently produce. **Please contact the factory for modifications specific to your fixture or project.**

Need some help? Simply send your questions to us at OCL-Quotes@ocl.com

- BIOS, TUNABLE WHITE, WARM-DIM, & RGBW LIGHT SOURCES
- SPECIFIC LUMEN OUTPUT
- MODIFIED CLUSTERS OR CONFIGURATIONS / MULTI-DROP CANOPIES
- VARIOUS SHAPES, ARCS, AND CURVES FOR LINEAR PROFILES AND RINGS
- CEILING OR SURFACE MOUNTING
- LARGE SCALE MODIFICATIONS
- RAL, PANTONE, BRAND-SPECIFIC, RETIRED OCL COLOR, OR CUSTOM FINISHES



- EMERGENCY BATTERY BACKUP OR INVERTER OPTIONS
- REMOTE DRIVERS / EXTENDED DISTANCE REMOTE DRIVERS
- DIMMING TO 0.1% (DIM TO DARK)
- NON-STANDARD SIZES OR LENGTHS
- NON-STANDARD CANOPY, BODY AND/OR CORD COLORS
- SEISMIC AND/OR ANTI-SWAY SYSTEMS
- RIGID STEMS
- MODIFIED OVERALL HEIGHTS (LONGER OR SHORTER OAH)
- UPLIGHT ADDITIONS
- LASER ETCHING, ENGRAVING, AND CUTOUTS

The drawings and specifications and ideas, designs and arrangements represented on these drawings are and shall remain the property of The Original Cast Lighting (OCL Architectural Lighting) and no part thereof shall be copied, disclosed, to others or used in conjunction with any work or project other than the specified project for which they have been prepared and developed, without written consent of OCL. Visual contact with these plans or specifications shall constitute conclusive evidence of acceptance of these restrictions. All specifications and information subject to change without notice.