



Printz™

CENTRO PENDANT

FEATURES



- ARCHITECTURAL-SCALE LARGE-FORMAT ADDITIVE MANUFACTURED 3D-PRINTED SHADES
- COMBINATION OF CENTRO™ LUMINAIRE PLATFORM AND 3D-PRINTED SHADE
- AVAILABLE IN THREE SHADE FORMS: OLA™, COSMA™, AND HELA™
- MADE FROM A MINIMUM 85% POST-INDUSTRIAL PETG
- REGRESSED DIE-CAST ALUMINUM PERFORMANCE LIGHT SOURCE
- THREAD-IN PERFORMANCE DIFFUSER FOR HIGH TRANSMISSION AND ZERO LED IMAGING
- 0-10V DIMMING STANDARD (1% MINIMUM DIM LEVEL)
- FIELD REPLACEABLE LIGHT SOURCE AND DRIVER



CATALOG CODES

A	B	C	MW	/	/	UNV	H	DM1	J
SERIES	HANGING SYSTEM	SIZE	DIFFUSER	SHADE FINISH / POWDER COAT FINISH	LIGHT SOURCE	VOLTAGE	OAH	CONTROL	OPTIONS

SPECIFY CATALOG CODE

A	B	C	D	E		
SERIES	HANGING SYSTEM*	SIZE	DIFFUSER	FINISH		
 CTP2 HELA	MOUNTING TYPE PIFK PENDANT WITH 5.75" SURFACE MOUNT CANOPY, SINGLE CENTER AIRCRAFT CABLE AND POWER CORD; MOUNTS TO 4X4 OCTAGON J-BOX (BY OTHERS); INTEGRAL DRIVERS PIFB PENDANT WITH A 6" FLAT CANOPY, SINGLE CENTER AIRCRAFT CABLE AND POWER CORD; MOUNTS TO OCL RECESSED J-BOX (PROVIDED BY OCL) PIFG PENDANT WITH 5" FLAT CANOPY, SINGLE CENTER AIRCRAFT CABLE AND POWER CORD; MOUNTS TO 4X4 OCTAGON J-BOX (BY OTHERS); REMOTE DRIVER ENCLOSURE	CORD COLOR S SILVER BRAIDED POWER CORD B BLACK BRAIDED POWER CORD W WHITE BRAIDED POWER CORD C POLISHED COPPER BRAIDED POWER CORD	18 24 36 18 24 30	MW MATTE WHITE SHADE FINISHES CLR CLEAR PSW SIGNAL WHITE PJB JET BLACK PTG TELEGRAY PSG SILVER GRAY PFR FLAME RED PMT MINT TURQUOISE POB OCEAN BLUE PSB SAPPHIRE BLUE FUSION SHADE FINISHES FJC JET BLACK TO CLEAR FSC SIGNAL WHITE TO CLEAR	POWDER COAT FINISHES (BODY & TOP PLATE) BKP BLACK BMP BRASS METALLIC BNP BRONZE BTP BLACK TEXTURED GLP GOLDTASTIC GRP GRAPHITE MWP MATTE WHITE SGP STEEL GRAY SMP SILVER METALLIC SWP SKY WHITE WTP WHITE TEXTURED	
						 CTP4 OLA

F	G	H	I	J
LIGHT SOURCE	VOLTAGE	OAH**	CONTROL	OPTIONS
LED OUTPUT LED1 LED2 LED3	COLOR TEMP (90+ CRI) 927K 930K 935K 940K	UNV 120-277 48 100 144	DM1 0-10V DIMMING 1%	MOD MODIFIED LUMINAIRE (CONTACT LOCAL REP)

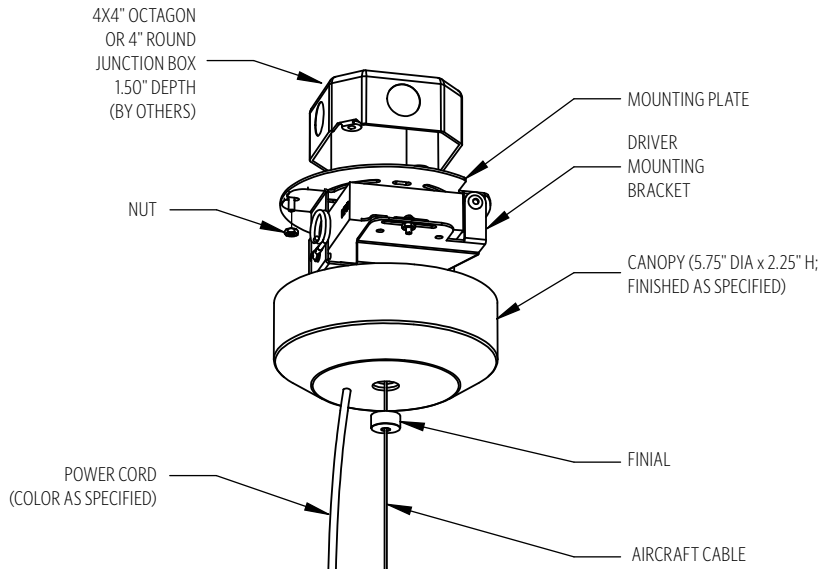
SAMPLE CODE: CTP4-P1FKS-24-MW-CLR/BTP-LED1/927K-UNV-100-DM1

* NOTE: P1FK canopy color finished as specified; P1FB & P1FG canopy color is MWP

** For Minimum OAH, see hanging systems details. P1FK, P1FB, & P1FG will ship with one of three standard OAH's (48", 100" or 144") field adjustable to the desired height.

HANGING SYSTEM

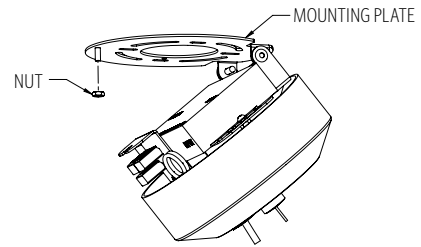
P1FK PENDANT WITH 5.75" SURFACE MOUNT CANOPY, SINGLE CENTER AIRCRAFT CABLE AND POWER CORD; MOUNTS TO 4X4 OCTAGON J-BOX (BY OTHERS); INTEGRAL DRIVERS



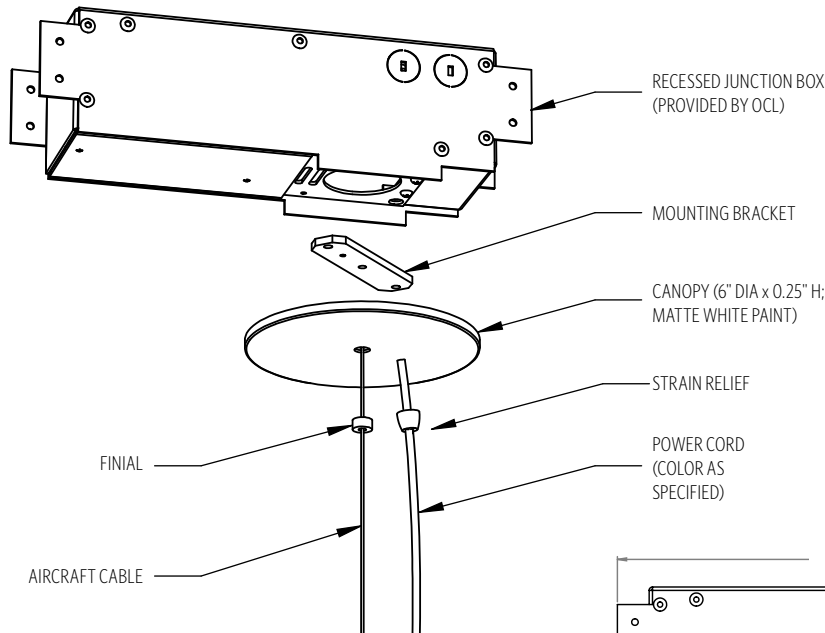
MOUNTING INFORMATION CHART

SERIES	LUMINAIRE DIAMETER	LUMINAIRE WEIGHT	MIN/MAX OAH
CTP2	18"	15 LBS	9.25"/144"
	24"	17 LBS	11.25"/144"
	36"	26 LBS	23.75"/144"
CTP3	18"	13 LBS	9.00"/144"
	24"	17 LBS	11.00"/144"
	30"	22 LBS	22.00"/144"
CTP4	18"	13 LBS	11.75"/144"
	24"	15 LBS	15.75"/144"
	36"	22 LBS	20.25"/144"

P1FK ships with one of three OAH's (48", 100" or 144") and is field adjustable to the desired height.



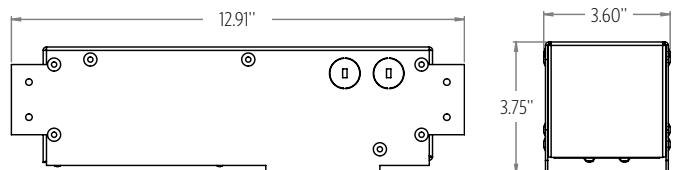
P1FB PENDANT WITH FLAT CANOPY, SINGLE CENTER AIRCRAFT CABLE AND POWER CORD; MOUNTS TO OCL RECESSED J-BOX (PROVIDED BY OCL)



MOUNTING INFORMATION CHART

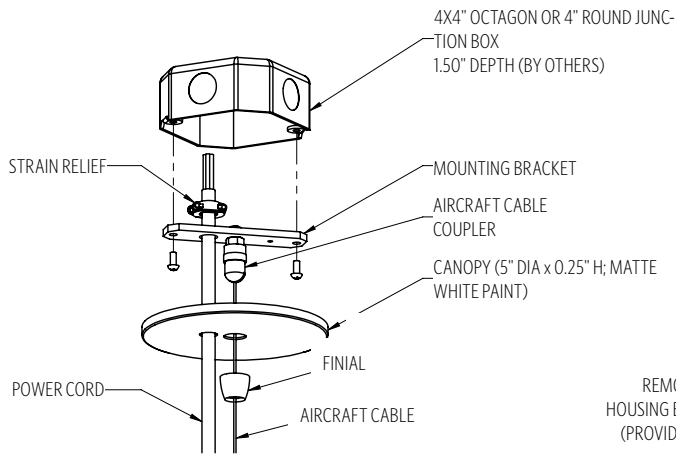
SERIES	LUMINAIRE DIAMETER	LUMINAIRE WEIGHT	MIN/MAX OAH
CTP2	18"	15 LBS	6.75"/144"
	24"	17 LBS	8.75"/144"
	36"	26 LBS	21.25"/144"
CTP3	18"	13 LBS	6.50"/144"
	24"	17 LBS	9.25"/144"
	30"	22 LBS	12.50"/144"
CTP4	18"	13 LBS	9.25"/144"
	24"	15 LBS	13.25"/144"
	36"	22 LBS	17.75"/144"

P1FB ships with one of three OAH's (48", 100" or 144") and is field adjustable to the desired height.

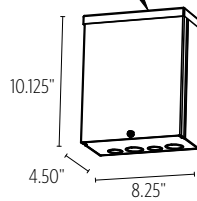


PROFILE VIEW
RECESSED JUNCTION BOX

P1FG PENDANT WITH 5" FLAT CANOPY, SINGLE CENTER AIRCRAFT CABLE AND POWER CORD;
MOUNTS TO 4X4 OCTAGON J-BOX (BY OTHERS); REMOTE DRIVER ENCLOSURE



REMOTE DRIVER HOUSING ENCLOSURE (PROVIDED BY OCL)



MOUNTING INFORMATION CHART

SERIES	LUMINAIRE DIAMETER	LUMINAIRE WEIGHT	MIN/MAX OAH
CTP2	18"	15 LBS	6.75"/144"
	24"	17 LBS	8.75"/144"
	36"	26 LBS	21.25"/144"
CTP3	18"	13 LBS	6.50"/144"
	24"	17 LBS	9.25"/144"
	30"	22 LBS	12.50"/144"
CTP4	18"	13 LBS	9.25"/144"
	24"	15 LBS	13.25"/144"
	36"	22 LBS	17.75"/144"

P1FG ships with one of three OAH's (48", 100" or 144") and is field adjustable to the desired height.

P1FG will include ETL listed enclosure for remote mounting drivers. Max 30' distance from luminaire..

DIFFUSER



FINISH

METALLIC POWDER COAT FINISHES:



RAL[®], Pantone[®] or custom finishes are also available.

These colors are for reference only. Please be aware that colors may vary per monitor. Contact your local rep for finish samples or with any questions.

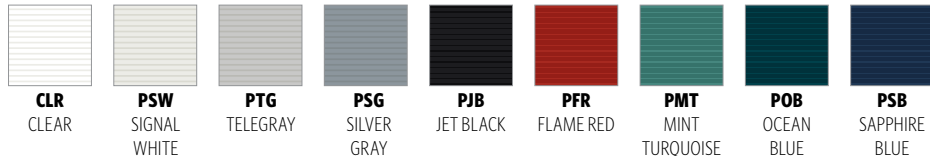
SOLID POWDER COAT FINISHES:



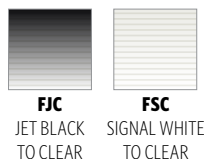
TEXTURED POWDER COAT FINISHES:



PRINTZ SHADE FINISHES:

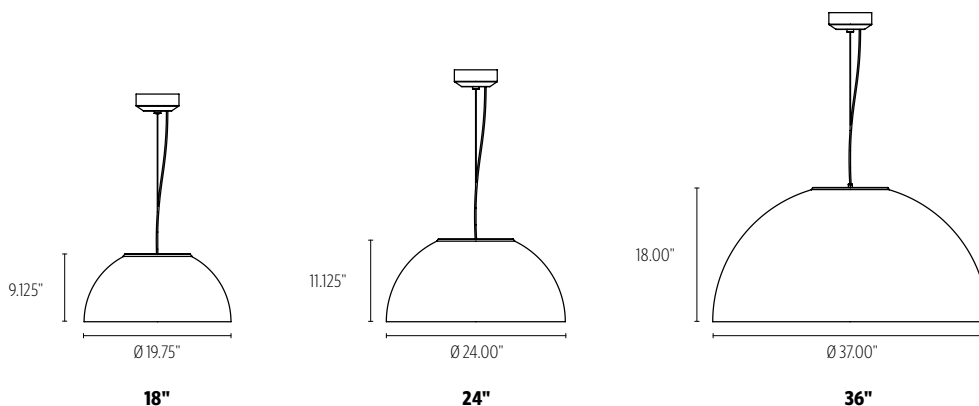


PRINTZ SHADE FUSION FINISHES:

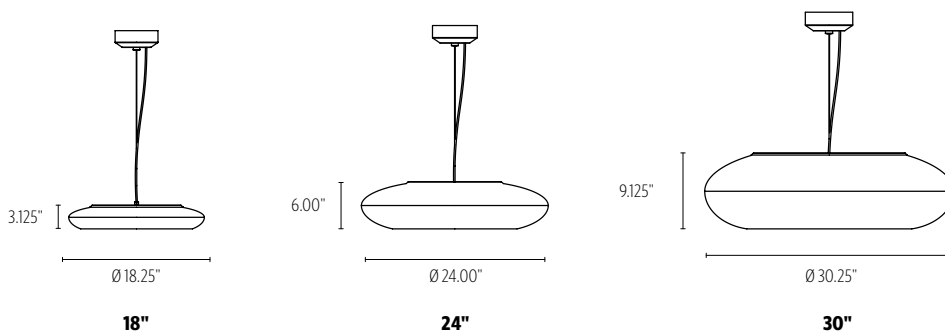


SIZES

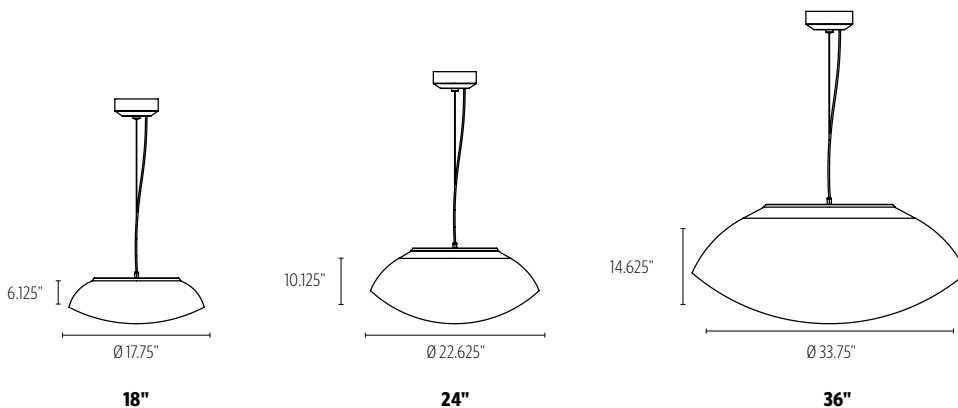
CTP2 - HELA



CTP3 - COSMA



CTP4 - OLA



LIGHT SOURCE

		CTP2						CTP3						CTP4					
		CLEAR			ALL OTHERS			CLEAR			ALL OTHERS			CLEAR			ALL OTHERS		
		18"	24"	36"	18"	24"	36"	18"	24"	30"	18"	24"	30"	18"	24"	36"	18"	24"	36"
LED1	LUMENS DELIVERED	1450	1580	1580	1260	1375	1375	1625	1625	1625	1410	1410	1410	1575	1390	1390	1370	1205	1205
	SYSTEM WATTAGE	15						15						15					
LED2	LUMENS DELIVERED	2420	2640	2640	2105	2295	2295	2715	2715	2715	2360	2360	2360	2630	2320	2320	2290	2015	2015
	SYSTEM WATTAGE	25						25						25					
LED3	LUMENS DELIVERED	3380	3685	3685	2940	3205	3205	3785	3785	3785	3295	3295	3295	3670	3240	3240	3190	2815	2815
	SYSTEM WATTAGE	35						35						35					

This chart was created for a 35K color temp. Multiply by 0.95 for 27k color temp, 0.97 for 30k color temp, and 1.03 for 40k color temp. Values shown for 90+ CRI.

PHOTOMETRY:

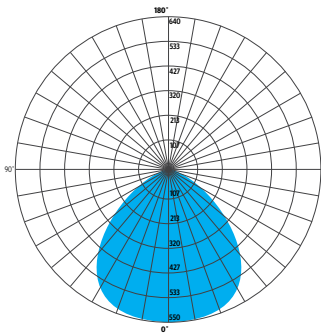
LUMINAIRE: CTPX-P1FB-1809-MW-LED1_935K
 COLOR TEMP #: 3500K
 TEST REPORT: TEST NO.20511.0

For all available IES files, please visit our website at ocl.com.

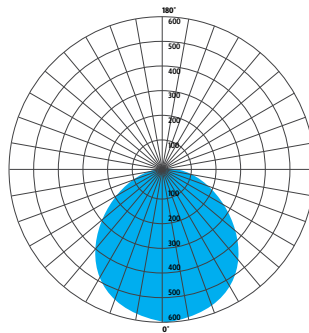
STANDARD COLOR TEMPERATURE OPTIONS	CRI (RA)
2700K	90+
3000K	90+
3500K	90+
4000K	90+

For 90+ CRI - 90 RA, R9 > 50

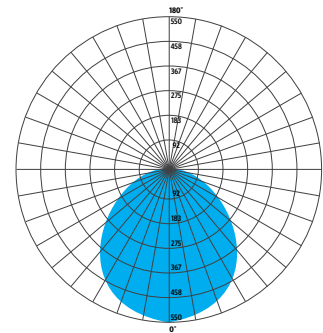
ZONE	% OF LUMINAIRE		
	CTP2	CTP3	CTP4
0-30	35%	28%	30%
0-60	93%	81%	84%
0-90	100%	100%	100%
90-180	0%	0%	0%
0-180	100%	100%	100%



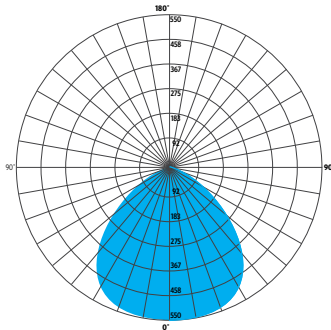
CTP2 (CLEAR)



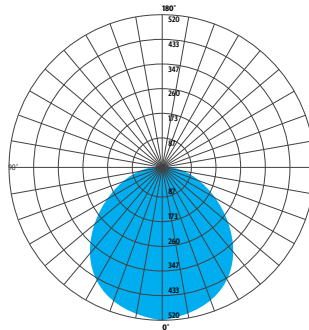
CTP3 (CLEAR)



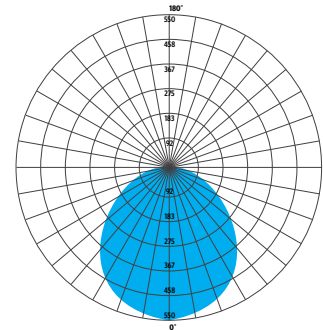
CTP4 (CLEAR)



CTP2



CTP3



CTP4

CONTROL

DM1 0-10V DIMMING 1%

- 0-10V DIMMING
- 1% MINIMUM DIM LEVEL
- ELECTRONIC DRIVER
- POWER FACTOR >0.9
- THD <20%
- MINIMUM AMBIENT OPERATING TEMPERATURE -22°F
- FIELD REPLACEABLE

OPTIONS

MOD MODIFIED LUMINAIRE

- LUMINAIRE IS MODIFIED FROM STANDARD OPTIONS. CONTACT LOCAL REP FOR MORE INFORMATION

SPECIFICATIONS

LIGHT ENGINE CONSTRUCTION

- HOUSING IS DIE-CAST ALUMINUM
- DIFFUSER IS INJECTION-MOLDED WITH FROSTED SURFACE
- CANOPY IS SPUN ALUMINUM
- HARDWARE IS ZINC PLATED OR STAINLESS STEEL

SHADE CONSTRUCTION

- SHADES PRODUCED USING PROPRIETARY LARGE FORMAT ADDITIVE MANUFACTURING
- MADE FROM A MINIMUM 85% POST-INDUSTRIAL PETG (POLYETHYLENE TEREPHTHALATE GLYCOL), A DURABLE AND RECYCLABLE COMMERCIAL-GRADE THERMOPLASTIC USED IN 3D PRINTING

MOUNTING

- **PIFK & P1FG** MOUNT TO 4X4" OCTAGON OR 4" ROUND J-BOX (BY OTHER)
- **PIFB** MOUNTS TO OCL PROPRIETARY RECESSED J-BOX (PROVIDED BY OCL)

ELECTRICAL

- DIMMING ELECTRONIC DRIVER(S) COMES STANDARD WITH 0-10V DOWN TO 1%
- LUTRON (LDE1) ECOSYSTEM 1% ALSO AVAILABLE
- OCL PROPRIETARY LED ARRAYS USE NICHIA 757 DIODES
- **FOR INTEGRAL DRIVERS:** LUMINAIRE CONNECTS TO BUILDING SUPPLY (120V-277V 50/60HZ)
- **FOR REMOTE DRIVERS:** LUMINAIRE WIRE LEADS ARE LOW-VOLTAGE. THE WIRES SHOULD BE CONNECTED TO OCL PROVIDED REMOTE DRIVER ENCLOSURE ONLY!

LISTING

- ETL LISTED TO UL 1598 FOR DRY LOCATIONS

WARRANTY

- 5 YEAR; ALL ELECTRICAL COMPONENTS RETAIN THE MANUFACTURER'S WARRANTY

BUILD AMERICA, BUY AMERICA (BABA)

- THIS PRODUCT MEETS THE GUIDELINES FOR THE BUILD AMERICA, BUY AMERICA ACT. **SOME EXCLUSIONS APPLY.** FOR MORE INFORMATION AND A FULL LIST OF ELIGIBLE SKUS, VISIT **OCL.COM/BABA**

SUSTAINABILITY

- PRINTZ 3D PRINTED COMPONENTS ARE PRODUCED WITH AT LEAST 85% POST-INDUSTRIAL RECYCLED MATERIALS.
- THIS PRODUCT MEETS THE MATERIAL RESTRICTIONS OF ARTICLE 4 OF THE **ROHS** DIRECTIVE (2011/65/EU), INCLUDING COMMISSION DELEGATED DIRECTIVE 2015/863

COMMON MODIFICATIONS

WE'RE BUILT FOR OUT-OF-THE-BOX THINKERS.

Nearly 50% of OCL fixtures we manufacture have some type of modification. Here is a list of common modifications we frequently produce. **Please contact the factory for modifications specific to your fixture or project.**

Need some help? Simply send your questions to us at OCL-Quotes@ocl.com

- BIOS, TUNABLE WHITE, WARM-DIM, & RGBW LIGHT SOURCES
- SPECIFIC LUMEN OUTPUT
- MODIFIED CLUSTERS OR CONFIGURATIONS / MULTI-DROP CANOPIES
- VARIOUS SHAPES, ARCS, AND CURVES FOR LINEAR PROFILES AND RINGS
- CEILING OR SURFACE MOUNTING
- LARGE SCALE MODIFICATIONS
- RAL, PANTONE, BRAND-SPECIFIC, RETIRED OCL COLOR, OR CUSTOM FINISHES



- EMERGENCY BATTERY BACKUP OR INVERTER OPTIONS
- REMOTE DRIVERS / EXTENDED DISTANCE REMOTE DRIVERS
- DIMMING TO 0.1% (DIM TO DARK)
- NON-STANDARD SIZES OR LENGTHS
- NON-STANDARD CANOPY, BODY AND/OR CORD COLORS
- SEISMIC AND/OR ANTI-SWAY SYSTEMS
- RIGID STEMS
- MODIFIED OVERALL HEIGHTS (LONGER OR SHORTER OAH)
- UPLIGHT ADDITIONS
- LASER ETCHING, ENGRAVING, AND CUTOUTS

The drawings and specifications and ideas, designs and arrangements represented on these drawings are and shall remain the property of The Original Cast Lighting (OCL Architectural Lighting) and no part thereof shall be copied, disclosed, to others or used in conjunction with any work or project other than the specified project for which they have been prepared and developed, without written consent of OCL. Visual contact with these plans or specifications shall constitute conclusive evidence of acceptance of these restrictions. All specifications and information subject to change without notice.