

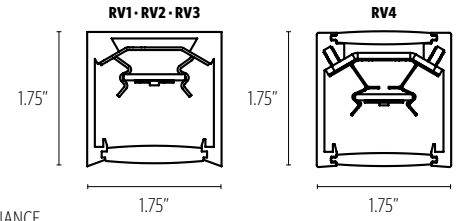


Rev™

CEILING / SURFACE

FEATURES

- 1.75" MINIMAL SQUARE PROFILE SIZE
- SILICONE DIFFUSER ELIMINATES LIGHT LEAKS AND VISIBLE SEAMS
- FIELD REPLACEABLE LED ARRAYS AND DRIVER(S) FOR SIMPLE MAINTENANCE
- THREE STANDOFF LENGTHS AVAILABLE
- FIXTURES CAN BE CLUSTERED TOGETHER TO CREATE LARGE SCALE INSTALLATIONS
- CUSTOM SIZES, SHAPES, AND CONFIGURATIONS ARE POSSIBLE - REFER TO REV SHAPES SPEC SHEET FOR DETAILS



PROFILE VIEW



MADE IN USA

bios
ILLUMINATED



CATALOG CODES

A	B	C	MW	E	F	UNV	DM1	I
SERIES	HANGING SYSTEM	SIZE	DIFFUSER	FINISH	LIGHT SOURCE	VOLTAGE	CONTROL	OPTIONS

SPECIFY CATALOG CODE				
A	B	C	D	E
SERIES	HANGING SYSTEM	SIZE	DIFFUSER	FINISH
<p>RV1 REV IN</p> <p>RV2 REV OUT</p> <p>RV3 REV DOWN</p> <p>RV4 REV UP/DOWN</p>	<p>C1SF SEMI FLUSH CEILING MOUNT WITH 2" STANDOFFS; <u>REMOTE DRIVER ENCLOSURE</u></p> <p>S1SF SEMI FLUSH SURFACE MOUNT WITH 2" STANDOFFS; <u>REMOTE DRIVER ENCLOSURE (ADA COMPLIANT)</u></p>	<p>24</p> <p>36</p> <p>48</p> <p>60</p> <p>72</p>	<p>MW MATTE WHITE</p>	<p>POWDER COAT FINISHES</p> <p>BKP BLACK</p> <p>BMP BRASS METALLIC</p> <p>BNP BRONZE</p> <p>BTP BLACK TEXTURED</p> <p>GRP GRAPHITE</p> <p>GLP GOLDTASTIC</p> <p>MWP MATTE WHITE</p> <p>SGP STEEL GRAY</p> <p>SMP SILVER METALLIC</p> <p>SWP SKY WHITE</p> <p>WTP WHITE TEXTURED</p> <p>PREMIUM METAL FINISHES</p> <p>BAL BRUSHED ALUMINUM</p>

F		G		H		I	
LIGHT SOURCE		VOLTAGE		CONTROL		OPTIONS	
<p>LED OUTPUT</p> <p>LED1</p> <p>LED2</p>	<p>COLOR TEMP (80+ CRI)</p> <p>27K</p> <p>30K</p> <p>35K</p> <p>40K</p>	<p>COLOR TEMP (90+ CRI)</p> <p>927K</p> <p>930K</p> <p>935K</p> <p>940K</p>	<p>UNV 120-277</p>	<p>DM1 0-10V DIMMING 1%</p>	<p>ULD DAMP LABEL</p> <p>BIOS BIOS SKYBLUE™ OR BIOS SKYBLUE™ DYNAMIC LIGHT ENGINE*</p> <p>PR4 4" SURFACE STANDOFF</p> <p>PR6 6" SURFACE STANDOFF</p> <p>MOD MODIFIED LUMINAIRE (CONTACT LOCAL REP)</p>		

SAMPLE CODE: RV3-C1SF-36-MW-WTP-LED1/30K-UNV-100-DM1

*Contact factory for **BIOS SkyBlue®** or **BIOS SkyBlue® Dynamic** light engine and control options.

MODS, NOTES, & COMMENTS

CISF SEMI FLUSH CEILING MOUNT WITH 2" STANDOFFS: REMOTE DRIVER ENCLOSURE

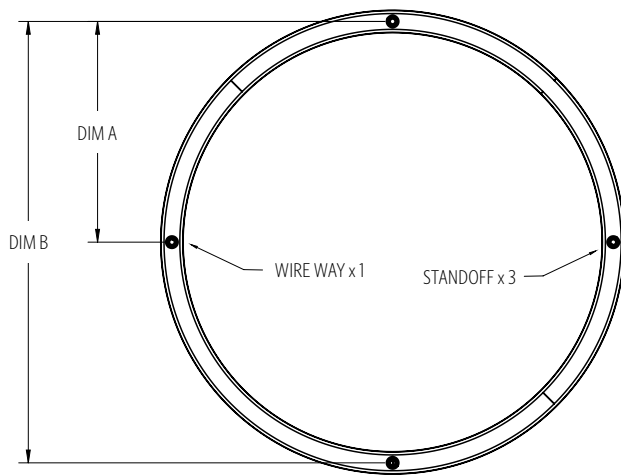
SISF SEMI FLUSH SURFACE MOUNT WITH 2" STANDOFFS: REMOTE DRIVER ENCLOSURE (ADA COMPLIANT)



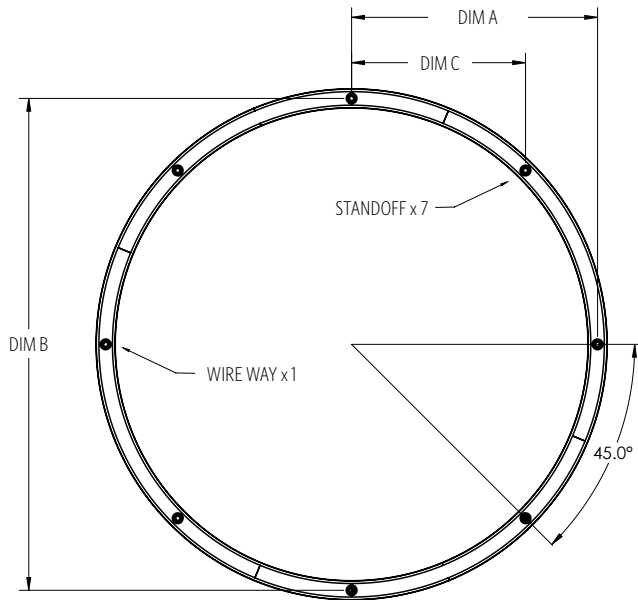
MOUNTING INFORMATION CHART

LUMINAIRE DIAMETER	LUMINAIRE WEIGHT	MOUNTING POINTS	RV1 MOUNTING DISTANCE DIM A	RV1 MOUNTING DISTANCE DIM B	RV1 MOUNTING DISTANCE DIM C	RV2 MOUNTING DISTANCE DIM A	RV2 MOUNTING DISTANCE DIM B	RV2 MOUNTING DISTANCE DIM C	RV3 MOUNTING DISTANCE DIM A	RV3 MOUNTING DISTANCE DIM B	RV3 MOUNTING DISTANCE DIM C	RV4 MOUNTING DISTANCE DIM A	RV4 MOUNTING DISTANCE DIM B	RV4 MOUNTING DISTANCE DIM C
24"	10 LBS	4	10.975	21.950	-	11.094	22.188	-	10.284	20.567	-	10.284	20.567	-
36"	13 LBS	4	17.023	34.047	-	17.125	34.250	-	16.625	33.249	-	16.625	33.249	-
48"	17 LBS	8	22.789	45.578	16.114	22.594	45.188	15.976	23.011	46.022	16.271	23.011	46.022	16.271
60"	19 LBS	8	28.508	57.016	20.158	28.969	57.938	20.484	28.099	56.197	19.869	28.099	56.197	19.869
72"	22 LBS	8	34.875	69.750	24.660	34.688	69.375	24.528	33.188	66.376	23.467	33.188	66.376	23.467

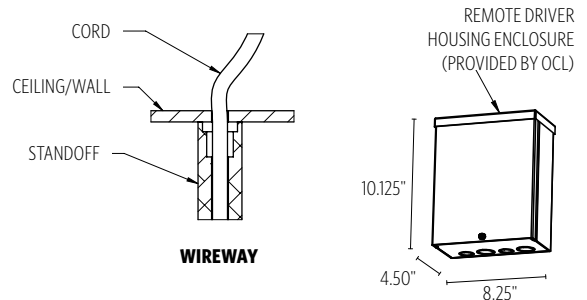
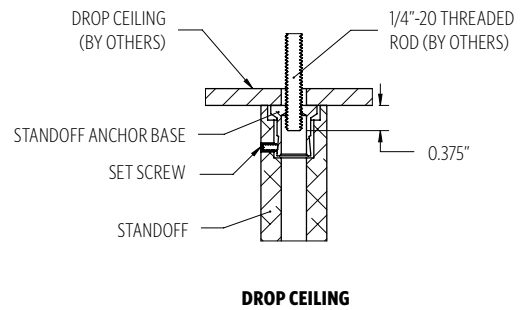
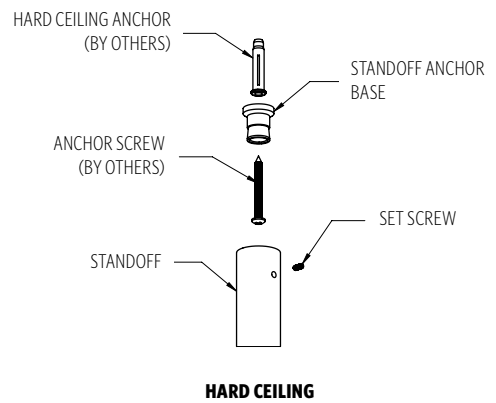
CISF and **SISF** will include ETL listed enclosure for remote mounting drivers. Max 30' distance from luminaire.



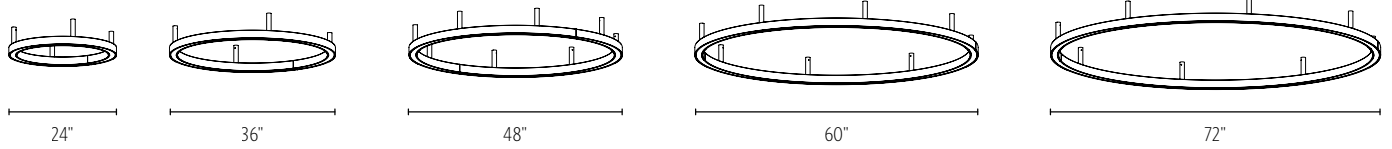
24" - 36" MOUNT LOCATIONS



48" - 72" MOUNT LOCATIONS



SIZES



DIFFUSER



MW MATTE WHITE SILICONE

FINISH

METALLIC POWDER COAT FINISHES:



PREMIUM METAL FINISHES:



SOLID POWDER COAT FINISHES:



TEXTURED POWDER COAT FINISHES:



RAL , Pantone® or custom finishes are also available.

These colors are for reference only. Please be aware that colors may vary per monitor. Contact your local rep for finish samples or with any questions.

LIGHT SOURCE

		RV1					RV2					RV3					RV4 (UP/DOWN)				
		24"	36"	48"	60"	72"	24"	36"	48"	60"	72"	24"	36"	48"	60"	72"	24"	36"	48"	60"	72"
LED1	LUMENS DELIVERED	1176	1792	2352	2968	3584	1188	1728	2376	2970	3564	1470	2240	3080	3850	4480	1540 (134/1406)	2360 (205/2155)	3240 (282/2958)	4050 (352/3698)	4720 (411/4309)
	SYSTEM WATTAGE	21	32	42	53	64	19	30	40	52	62	25	35	45	55	65	25	35	45	55	65
LED2	LUMENS DELIVERED	1960	2968	3584	4984	5992	1998	2970	3564	4968	5940	2240	3710	4760	6440	7350	2360 (205/2155)	3910 (340/3570)	5010 (436/4574)	6780 (590/6190)	7740 (673/7067)
	SYSTEM WATTAGE	35	53	64	89	107	35	53	64	89	107	35	55	70	95	105	35	55	70	95	105

This chart was created for a 35K color temp. Multiply by 0.95 for 27k color temp, 0.97 for 30k color temp, and 1.03 for 40k color temp. Values shown for 80+ CRI. For 90+ CRI lumens use 0.85 multiplier.

PHOTOMETRY:

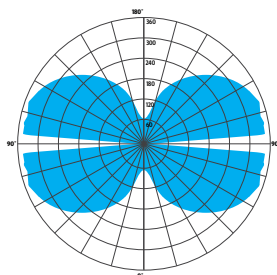
LUMINAIRE: RVX-PIEM-48-MW-PTD-LED2_35K-UNV-48
 COLOR TEMP #: 3500K
 TEST REPORT: TEST NO. 20925.0; 20926.0

For all available IES files, please visit our website at ocl.com.

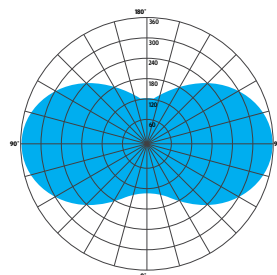
STANDARD COLOR TEMPERATURE OPTIONS	CRI (RA)	
2700K	80+	90+
3000K	80+	90+
3500K	80+	90+
4000K	80+	90+

For 80+ CRI - 80 RA, R9 > 0 (10-15 TYP); For 90+ CRI - 90 RA, R9 > 50

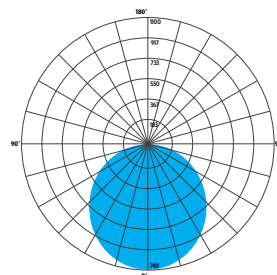
ZONE	% OF LUMINAIRE			
	RV1	RV2	RV3	RV4
0-30	4%	4%	26%	24%
0-60	22%	20%	77%	70%
0-90	50%	51%	100%	91%
90-180	50%	49%	0%	9%
0-180	100%	100%	100%	100%



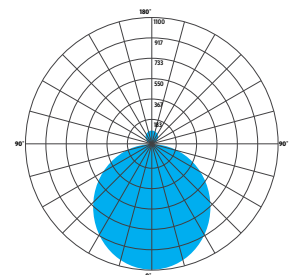
RV1



RV2



RV3



RV4

CONTROL

DM1 0-10V DIMMING 1%

- 0-10V DIMMING PROTOCOL
- 1% MINIMUM DIM LEVEL
- ELECTRONIC DRIVER
- POWER FACTOR >0.9
- THD <20%
- MINIMUM AMBIENT OPERATING TEMPERATURE -31°F
- LINEAR DIMMING CURVE
- FIELD REPLACEABLE

OPTIONS

ULD DAMP LABEL LUMINAIRE

- MAY BE USED IN A OUTDOOR AREA THAT IS PROTECTED FROM DIRECT CONTACT WITH WIND, RAIN, SNOW OR EXCESSIVE MOISTURE

MOD MODIFIED LUMINAIRE

- LUMINAIRE IS MODIFIED FROM STANDARD OPTIONS; CONTACT LOCAL REP FOR MORE INFORMATION

BIOS

- **BIOS SKYBLUE™ DYNAMIC** LIGHT ENGINE IS DIMMABLE AND FEATURES A SIMPLE APPROACH TO CIRCADIAN LIGHTING CONTROLS.
- WHEN PAIRED WITH THE BIOS BIO-DIMMING MODULE, IT OPERATES USING ANY SINGLE CHANNEL CONSTANT CURRENT (CC) LED DRIVER AND CAN BE USED WITH ANY STANDARD DIMMING INTERFACE/PROTOCOL (0-10V, ELV, DMX, WIRELESS) AND COULD WORK WITH EXISTING TWO-CHANNEL CONTROL SYSTEMS AS WELL.
- VISIT OCL.COM/BIOS FOR MORE INFORMATION

SPECIFICATIONS

CONSTRUCTION

- HOUSING IS EXTRUDED AND WELDED ALUMINUM
- HOUSING SEAMS ARE FULLY WELDED AND GROUND SMOOTH
- DIFFUSER IS EXTRUDED SILICONE
- HARDWARE IS ZINC PLATED OR STAINLESS STEEL

MOUNTING

- **CISF & SISF** CONNECT TO WIRE LEADS FROM REMOTE DRIVE ENCLOSURE ONLY. CONTACT FACTORY FOR J-BOX MOUNTING.

ELECTRICAL

- DIMMING ELECTRONIC DRIVER(S), COMES STANDARD WITH 0-10V DOWN TO 1%
- OCL PROPRIETARY LED ARRAYS USE NICHIA 757 DIODES
- **FOR REMOTE DRIVERS:** LUMINAIRE WIRE LEADS ARE LOW-VOLTAGE. THE WIRES SHOULD BE CONNECTED TO OCL PROVIDED REMOTE DRIVER ENCLOSURE ONLY!

LISTING

- **CISF & SINA** ETL LISTED TO UL 1598 FOR DRY LOCATIONS; **ULD** DAMP LOCATION LISTED IS OPTION

WARRANTY

- 5 YEAR; ALL ELECTRICAL COMPONENTS RETAIN THE MANUFACTURER'S WARRANTY

SUSTAINABILITY

- THIS PRODUCT MEETS THE MATERIAL RESTRICTIONS OF ARTICLE 4 OF THE **ROHS** DIRECTIVE (2011/65/EU), INCLUDING COMMISSION DELEGATED DIRECTIVE 2015/863
- **BIOS** LIGHTING CONTRIBUTES TOWARD THE CIRCADIAN LIGHTING DESIGN FEATURE 54 UNDER THE **WELL BUILDING STANDARD™ V1** AND FEATURE L03 UNDER THE **WELL BUILDING STANDARD V2**

COMMON MODIFICATIONS

WE'RE BUILT FOR OUT-OF-THE-BOX THINKERS.

Nearly 50% of OCL fixtures we manufacture have some type of modification. Here is a list of common modifications we frequently produce. **Please contact the factory for modifications specific to your fixture or project.**

Need some help? Simply send your questions to us at OCL-Quotes@ocl.com

- BIOS, TUNABLE WHITE, WARM-DIM, & RGBW LIGHT SOURCES
- SPECIFIC LUMEN OUTPUT
- MODIFIED CLUSTERS OR CONFIGURATIONS / MULTI-DROP CANOPIES
- VARIOUS SHAPES, ARCS, AND CURVES FOR LINEAR PROFILES AND RINGS
- CEILING OR SURFACE MOUNTING
- LARGE SCALE MODIFICATIONS
- RAL, PANTONE, BRAND-SPECIFIC, RETIRED OCL COLOR, OR CUSTOM FINISHES



- EMERGENCY BATTERY BACKUP OR INVERTER OPTIONS
- REMOTE DRIVERS / EXTENDED DISTANCE REMOTE DRIVERS
- DIMMING TO 0.1% (DIM TO DARK)
- NON-STANDARD SIZES OR LENGTHS
- NON-STANDARD CANOPY, BODY AND/OR CORD COLORS
- SEISMIC AND/OR ANTI-SWAY SYSTEMS
- RIGID STEMS
- MODIFIED OVERALL HEIGHTS (LONGER OR SHORTER OAH)
- UPLIGHT ADDITIONS
- LASER ETCHING, ENGRAVING, AND CUTOUTS

The drawings and specifications and ideas, designs and arrangements represented on these drawings are and shall remain the property of The Original Cast Lighting (OCL Architectural Lighting) and no part thereof shall be copied, disclosed, to others or used in conjunction with any work or project other than the specified project for which they have been prepared and developed, without written consent of OCL. Visual contact with these plans or specifications shall constitute conclusive evidence of acceptance of these restrictions. All specifications and information subject to change without notice.