



Neo™

CEILING/OUTDOOR


FEATURES

- FULLY LUMINOUS SHADE PROVIDES VISUAL PRESENCE WITH SOFT, UNIFORM ILLUMINATION, AND OPTIMAL 60/40 DISTRIBUTION
- SMOOTH AND ATTRACTIVE OPTICAL DESIGN SUPPLIES OUTSTANDING EFFICACY AND VISUAL COMFORT WITH MINIMAL GLARE (UGR - SEE PAGE 3 FOR DETAILS)
- SEAMLESS ONE PIECE MOLDED DIFFUSER IS FULLY ENCLOSED, ELIMINATING ACCUMULATION OF DUST AND DEBRIS
- IK10 IMPACT RATING:** RUGGED & ROBUST DIFFUSER CONSTRUCTION WITHSTANDS BUMPS, HITS & STRIKES
- 18" AND 24" DIAMETERS
- AVAILABLE IN 80+ CRI AND 90+ CRI
- FIELD REPLACEABLE LEADS AND DRIVERS
- 3 STEP LED BINNING
- SURFACE LUMINANCE OF < 1600 CD M/2 - CAN CONTRIBUTE TO **WELL** AND **LEED** SPECIFICATIONS
- ETL LISTED FOR WET LOCATION TO UL1598; IP66 RATED; UV STABLE ACRYLIC**



CATALOG CODES

NE1	-	B	-	C	-	MW	-	E	-	F	-	UNV	-	DM1	-	I
SERIES		HANGING SYSTEM		SIZE		DIFFUSER		FINISH		LIGHT SOURCE		VOLTAGE		CONTROL		OPTIONS

SPECIFY CATALOG CODE			SPECIFY CATALOG CODE			SPECIFY CATALOG CODE		
A	B	C	D	E				
SERIES	HANGING SYSTEM	SIZE	DIFFUSER	CANOPY FINISH				
 NE1 NEO	MOUNTING TYPE C1NA INDOOR SURFACE CEILING MOUNT C1OA OUTDOOR SURFACE CEILING MOUNT (ETL LISTED FOR WET LOCATION TO UL1598; IP66 RATED) NOTE: FOR RGBW , DRIVERS MUST BE REMOTE - SEE DETAILS ON PAGE 2	18 24	MW MATTE WHITE	POWDER COAT FINISHES BKP BLACK BMP BRASS METALLIC BNP BRONZE BTP BLACK TEXTURED GRP GRAPHITE GLP GOLDTASTIC PREMIUM METAL FINISHES BAL BRUSHED ALUMINUM (NOTE: C1NA ONLY)	MWP MATTE WHITE SGP STEEL GRAY SMP SILVER METALLIC SWP SKY WHITE WTP WHITE TEXTURED			
F		G	H		I			
LIGHT SOURCE		VOLTAGE	CONTROL		OPTIONS			
LED OUTPUT LED1 LED2	COLOR TEMP (80+ CRI) 27K 30K 35K 40K	COLOR TEMP (90+ CRI) 927K 930K 935K 940K	UNV 120-277	DM1 0-10V DIMMING 1% NOTE: FOR ADDITIONAL CONTROL OPTIONS, CONTACT FACTORY	ULD UL DAMP LABEL NOTE: C1NA ONLY; FOR IP66 WET LOCATION, CHOOSE C1OA MOUNTING MOD MODIFIED LUMINAIRE (CONTACT LOCAL REP)			
WD1	WARM DIM 3000K - 1800K 90+ CRI; R9 50+							
RGBW	RGBW NOTE: FOR RGBW, DRIVERS MUST BE REMOTE- SEE DETAILS ON PAGE 2			DMX DMX CONTROL; DIMMABLE TO 0.1% (REQUIRED FOR RGBW)				
SAMPLE CODE: NE1-C1NA-18-MW-WTP-LED1/27K-UNV-DM1								

UP TO 111 LM/W

LUMENS AND WATTAGE CHART		18"	24"
LED1	LUMENS DELIVERED	1890	3050
	SYSTEM WATTAGE	18	30
LED2	LUMENS DELIVERED	3320	5230
	SYSTEM WATTAGE	30	50
WD1	PENDING PHOTOMETRIC TESTING		

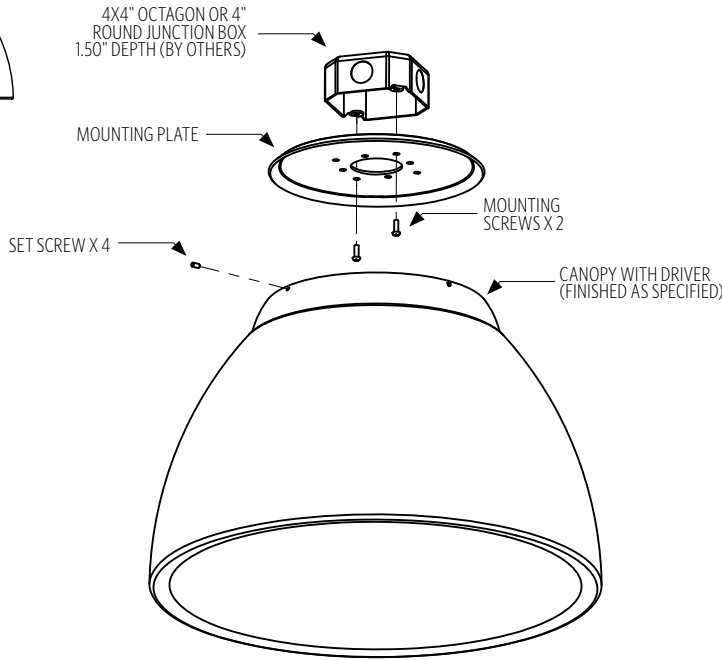
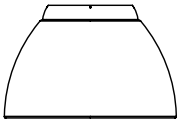
This chart was created for a 35K color temp. Multiply by 0.95 for 27k color temp, 0.97 for 30k color temp, and 1.03 for 40k color temp. Values shown for 80+ CRI. For 90+ CRI lumens use 0.85 multiplier.

MODS, NOTES, & COMMENTS

LED1, LED, WD1 ONLY

C1NA INDOOR SURFACE CEILING MOUNT

C10A OUTDOOR SURFACE CEILING MOUNT (ETL LISTED FOR WET LOCATION TO UL1598 & IP66 RATED)



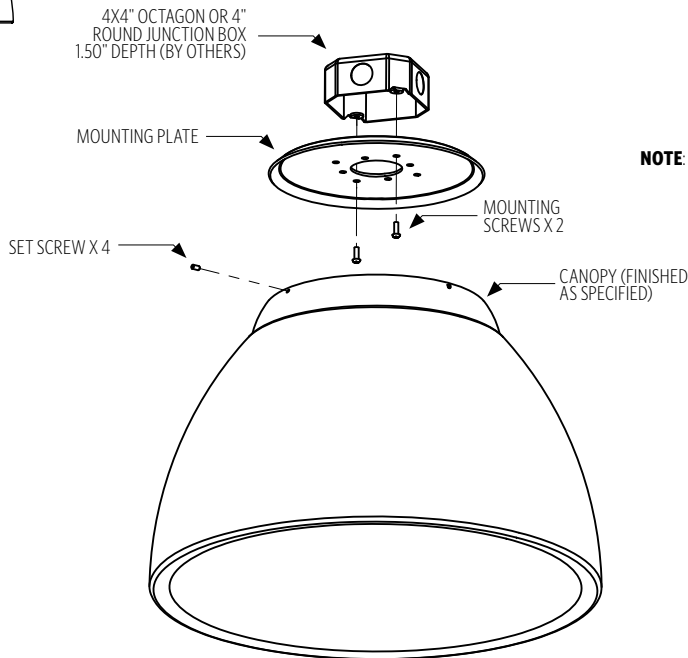
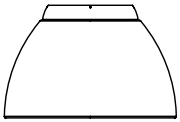
MOUNTING INFORMATION CHART

LUMINAIRE DIAMETER	LUMINAIRE WEIGHT
18"	6 LBS
24"	12 LBS

RGBW ONLY

C1NA INDOOR SURFACE CEILING MOUNT

C10A OUTDOOR SURFACE CEILING MOUNT (ETL LISTED FOR WET LOCATION TO UL1598 & IP66 RATED)



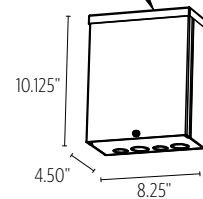
MOUNTING INFORMATION CHART

LUMINAIRE DIAMETER	LUMINAIRE WEIGHT
18"	6 LBS
24"	12 LBS

C1NA & C10A will include ETL listed enclosure for **RGBW** remote mounting drivers. For **RGBW** remote box distance, refer to the chart below

NOTE: FOR RGBW, DRIVERS MUST BE REMOTE

REMOTE DRIVER HOUSING ENCLOSURE (PROVIDED BY OCL)

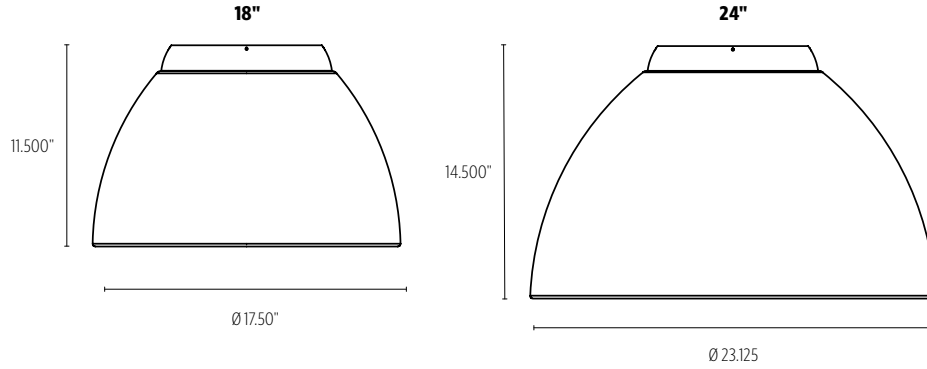


MAX WIRE LENGTH FROM DRIVER REMOTE BOX TO LUMINAIRE

AWG* VALUE	20	10	18	17	16
DISTANCE (m)	14	18	22	28	36
DISTANCE (ft)	46	59	72	92	118

*American Wire Gauge (AWG) is the standard way to denote cross-directional diameter of individual wire in North America. Please observe voltage drops over long wire length. Longer wire lengths increase EMI susceptibility.

SIZES



DIFFUSER



MW MATTE WHITE

FINISH

METALLIC POWDER COAT FINISHES:



SMP
SILVER



GRP
GRAPHITE



SGP
STEEL GRAY



GLP
GOLDTASTIC



BMP
BRASS



BNP
BRONZE

PREMIUM METAL FINISHES:



BAL
BRUSHED
ALUMINUM

SOLID POWDER COAT FINISHES:



SWP
SKY WHITE



MWP
MATTE
WHITE



BKP
BLACK

TEXTURED POWDER COAT FINISHES:



BTP
BLACK
TEXTURED



WTP
WHITE
TEXTURED

RAL, Pantone or custom finishes are also available.

These colors are for reference only. Please be aware that colors may vary per monitor. Contact your local rep for finish samples or with any questions.

LIGHT SOURCE

LUMENS AND WATTAGE CHART			
		18"	24"
LED1	LUMENS DELIVERED	1890	3050
	SYSTEM WATTAGE	18	30
LED2	LUMENS DELIVERED	3320	5230
	SYSTEM WATTAGE	30	50
WD1	PENDING PHOTOMETRIC TESTING		

This chart was created for a 35K color temp. Multiply by 0.95 for 27k color temp, 0.97 for 30k color temp, and 1.03 for 40k color temp. Values shown for 80+ CRI. For 90+ CRI lumens use 0.85 multiplier.

STANDARD COLOR TEMPERATURE OPTIONS	CRI	
2700K	80+	90+
3000K	80+	90+
3500K	80+	90+
4000K	80+	90+
3000K-1800K (WD1)	90+	

For 80+ CRI - 80 RA, R9 > 0 (10-15 TYP); For 90+ CRI - 90 RA, R9 > 50

ZONE	LUMENS	% OF LUMINAIRE
0-30	190	10%
0-60	627	33%
0-90	1075	57%
90-180	823	43%
0-180	1898	100%

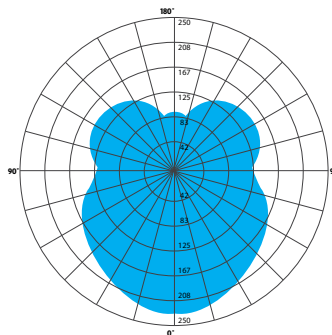
This chart was created using NE1-XXX-18-LED1/35K testing data, and will vary with size & light source specifications chosen. See IES files on product page.

PHOTOMETRY:

LUMINAIRE: NE1-P1XX-18-MW-PTD-LED1-35K-UNV-XX-DM1
 COLOR TEMP #: 3500K
 OUTPUT: 1898
 EFFICACY: UP TO 111 LM/W
 TEST REPORT: TEST NO. 105083407CRT-001

UGR VALUE CHART		
	18"	24"
LED1	12.7	11.7
LED2	14.7	13.6

Luminaire UGR values are for reference only. UGR is a tool for designers to evaluate a complete space. It is not a check box, or an inherent characteristic of any individual luminaire.



ABOUT WARM DIM



Warm Dim (**WD1**) when used with **DM1** control option closely mimics the CCT curve of halogen bulb as it dims, transitioning on a logarithmic curve from 3000K at full output to 1800K at minimum output

LUMEN MAINTENANCE - 18" & 24" (STATIC WHITE ONLY)

REPORTED: L70 AT >60,000 HRS
 CALCULATED: L70 AT 115,000 HRS
 REPORTED: L90 AT 34,000 HRS
 CALCULATED: L90 AT 34,000 HRS

Derived from EPA TM-21 calculator. Based on typical conditions. Consult the factory for additional details.

CONTROL

DM1 0-10V DIMMING 1%

- 0-10V DIMMING
- 1% MINIMUM DIM LEVEL
- ELECTRONIC DRIVER
- POWER FACTOR >0.9
- THD <20%
- MINIMUM AMBIENT OPERATING TEMPERATURE -31°F
- FIELD REPLACEABLE
- LINEAR DIMMING CURVE
- DIM TO OFF

DMX DMX CONTROL DIMMABLE TO 0.1%

- DMX 512A/RDM DIMMING PROTOCOL
- 0.1% MINIMUM DIM LEVEL
- ELECTRONIC DRIVER
- POWER FACTOR >0.9
- THD <20%
- MINIMUM AMBIENT OPERATING TEMPERATURE -4°F
- LOGARITHMIC DIMMING CURVE [DEFAULT]
- FIELD REPLACEABLE

OPTIONS

ULD DAMP LABEL LUMINAIRE

- MAY BE USED IN A OUTDOOR AREA THAT IS PROTECTED FROM DIRECT CONTACT WITH WIND, RAIN, SNOW OR EXCESSIVE MOISTURE

MOD MODIFIED LUMINAIRE

- LUMINAIRE IS MODIFIED FROM STANDARD OPTIONS. CONTACT LOCAL REP FOR MORE INFORMATION

SPECIFICATIONS

CONSTRUCTION

- DIFFUSER IS MOLDED IN ONE PIECE WITHOUT VISIBLE SEAMS OR JOINTS; **IK10** IMPACT RATED; UV STABLE
- CAST ALUMINUM DRIVER HOUSING FINISHED AS SPECIFIED
- MOUNTING PLATE IS SPUN ALUMINUM
- HARDWARE IS STEEL OR STAINLESS STEEL

MOUNTING

- **C1NA** AND **C10A** MOUNT TO 4X4" OCTAGON OR 4" ROUND J-BOX (BY OTHER)

ELECTRICAL

- DIMMING ELECTRONIC DRIVER, COMES STANDARD WITH 0-10V DOWN TO 1%
- OCL PROPRIETARY LED ARRAYS USE NICHIA 757 DIODES
- LUMINAIRE CONNECTS TO STANDARD BUILDING SUPPLY (120V - 277V, 50/60HZ) UNLESS DRIVER IS REMOTE

LISTING

- **C1NA** ETL LISTED TO UL 1598 FOR DRY LOCATIONS, DAMP LOCATION (**ULD**) LISTED IS OPTION
- **C10A** ETL LISTED TO UL 1598 FOR WET LOCATION; IP66 RATED
- IK10 IMPACT RATING

WARRANTY

- 5 YEAR; ALL ELECTRICAL COMPONENTS RETAIN THE MANUFACTURER'S WARRANTY

SUSTAINABILITY

- SURFACE LUMINANCE OF < 1600 CD M/2 - CAN CONTRIBUTE TO **WELL** AND **LEED** SPECIFICATIONS
- THIS PRODUCT MEETS THE MATERIAL RESTRICTIONS OF ARTICLE 4 OF THE **ROHS** DIRECTIVE (2011/65/EU), INCLUDING COMMISSION DELEGATED DIRECTIVE 2015/863

SAFETY REGULATIONS

- CAN BE USED FOR **TITLE 24 PART 6** AND **JA8-2016E** COMPLIANCE — CONTACT YOUR REP FOR HELP WITH YOUR PROJECT REQUIREMENTS AND LUMINAIRE SPECIFICATION

COMMON MODIFICATIONS

WE'RE BUILT FOR OUT-OF-THE-BOX THINKERS.

Nearly 50% of OCL fixtures we manufacture have some type of modification. Here is a list of common modifications we frequently produce. **Please contact the factory for modifications specific to your fixture or project.**

Need some help? Simply send your questions to us at OCL-Quotes@ocl.com

- BIOS, TUNABLE WHITE, WARM-DIM, & RGBW LIGHT SOURCES
- SPECIFIC LUMEN OUTPUT
- MODIFIED CLUSTERS OR CONFIGURATIONS / MULTI-DROP CANOPIES
- VARIOUS SHAPES, ARCS, AND CURVES FOR LINEAR PROFILES AND RINGS
- CEILING OR SURFACE MOUNTING
- LARGE SCALE MODIFICATIONS
- RAL, PANTONE, BRAND-SPECIFIC, RETIRED OCL COLOR, OR CUSTOM FINISHES



- EMERGENCY BATTERY BACKUP OR INVERTER OPTIONS
- REMOTE DRIVERS / EXTENDED DISTANCE REMOTE DRIVERS
- DIMMING TO 0.1% (DIM TO DARK)
- NON-STANDARD SIZES OR LENGTHS
- NON-STANDARD CANOPY, BODY AND/OR CORD COLORS
- SEISMIC AND/OR ANTI-SWAY SYSTEMS
- RIGID STEMS
- MODIFIED OVERALL HEIGHTS (LONGER OR SHORTER OAH)
- UPLIGHT ADDITIONS
- LASER ETCHING, ENGRAVING, AND CUTOUTS

The drawings and specifications and ideas, designs and arrangements represented on these drawings are and shall remain the property of The Original Cast Lighting (OCL Architectural Lighting) and no part thereof shall be copied, disclosed, to others or used in conjunction with any work or project other than the specified project for which they have been prepared and developed, without written consent of OCL. Visual contact with these plans or specifications shall constitute conclusive evidence of acceptance of these restrictions. All specifications and information subject to change without notice.