



Neo™

CEILING/OUTDOOR


FEATURES

- FULLY LUMINOUS SHADE PROVIDES VISUAL PRESENCE WITH SOFT, UNIFORM ILLUMINATION, AND OPTIMAL 60/40 DISTRIBUTION
- SMOOTH AND ATTRACTIVE OPTICAL DESIGN SUPPLIES OUTSTANDING EFFICACY AND VISUAL COMFORT WITH MINIMAL GLARE (UGR - SEE PAGE 3 FOR DETAILS)
- SEAMLESS ONE PIECE MOLDED DIFFUSER IS FULLY ENCLOSED, ELIMINATING ACCUMULATION OF DUST AND DEBRIS
- IK10 IMPACT RATING:** RUGGED & ROBUST DIFFUSER CONSTRUCTION WITHSTANDS BUMPS, HITS & STRIKES
- 18" AND 24" DIAMETERS
- AVAILABLE IN 80+ CRI AND 90+ CRI
- FIELD REPLACEABLE LEDS AND DRIVERS
- 3 STEP LED BINNING
- SURFACE LUMINANCE OF < 1600 CD M/2 - CAN CONTRIBUTE TO **WELL** AND **LEED** SPECIFICATIONS
- ETL LISTED FOR WET LOCATION TO UL1598; IP66 RATED; UV STABLE ACRYLIC**



CATALOG CODES

NE1	-	B	-	C	-	MW	-	E	-	F	-	UNV	-	DM1	-	I
SERIES		HANGING SYSTEM		SIZE		DIFFUSER		FINISH		LIGHT SOURCE		VOLTAGE		CONTROL		OPTIONS

SPECIFY CATALOG CODE						
A	B		C	D	E	
SERIES	HANGING SYSTEM		SIZE	DIFFUSER	CANOPY FINISH	
 NE1 NEO	MOUNTING TYPE		18	MW MATTE WHITE	POWDER COAT FINISHES	
	C1NA	INDOOR SURFACE CEILING MOUNT			24	BKP BLACK
	C1OA	OUTDOOR SURFACE CEILING MOUNT (ETL LISTED FOR WET LOCATION TO UL1598; IP66 RATED)			BMP BRASS METALLIC	SGP STEEL GRAY
					BNP BRONZE	SMP SILVER METALLIC
					BTP BLACK TEXTURED	SWP SKY WHITE
					GRP GRAPHITE	WTP WHITE TEXTURED
					GLP GOLDTASTIC	
					PREMIUM METAL FINISHES	
					BAL BRUSHED ALUMINUM (NOTE: C1NA ONLY)	
F			G	H		I
LIGHT SOURCE			VOLTAGE	CONTROL		OPTIONS
LED OUTPUT	COLOR TEMP (80+ CRI)	COLOR TEMP (90+ CRI)	UNV 120-277	DM1	0-10V DIMMING 1% NOTE: FOR ADDITIONAL CONTROL OPTIONS, CONTACT FACTORY	ULD UL DAMP LABEL NOTE: C1NA ONLY; FOR IP66 WET LOCATION, CHOOSE C1OA MOUNTING MOD MODIFIED LUMINAIRE (CONTACT LOCAL REP)
LED1	27K	927K				
LED2	30K	930K				
	35K	935K				
	40K	940K				

SAMPLE CODE: NE1-C1NA-18-MW-WTP-LED1/27K-UNV-DM1

UP TO **111** LM/W

		18"	24"
LED1	LUMENS DELIVERED	1890	3050
	SYSTEM WATTAGE	18	30
LED2	LUMENS DELIVERED	3320	5230
	SYSTEM WATTAGE	30	50

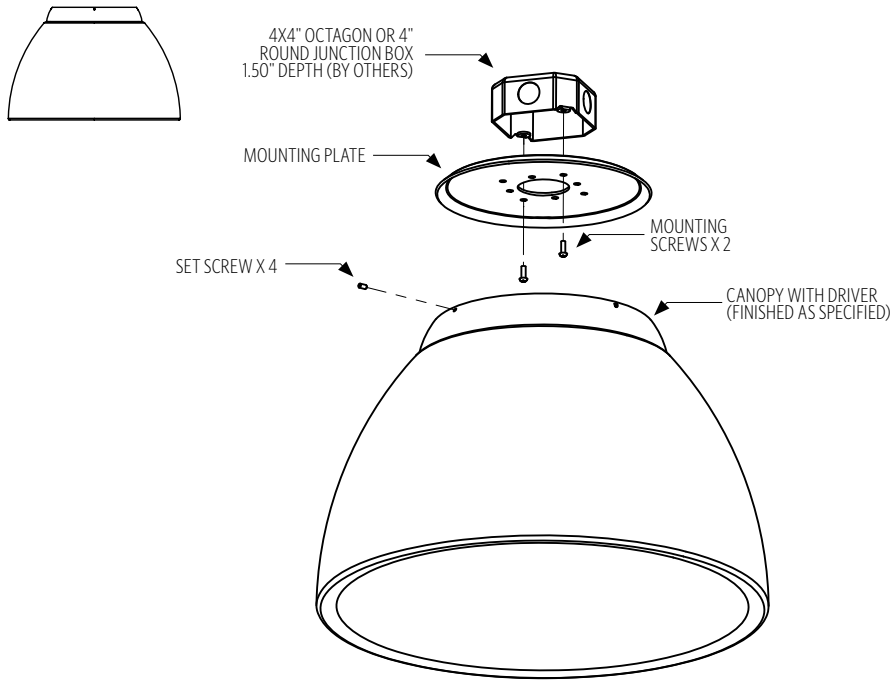
This chart was created for a 35K color temp. Multiply by 0.95 for 27k color temp, 0.97 for 30k color temp, and 1.03 for 40k color temp. Values shown for 80+ CRI. For 90+ CRI lumens use 0.85 multiplier.

MODS, NOTES, & COMMENTS

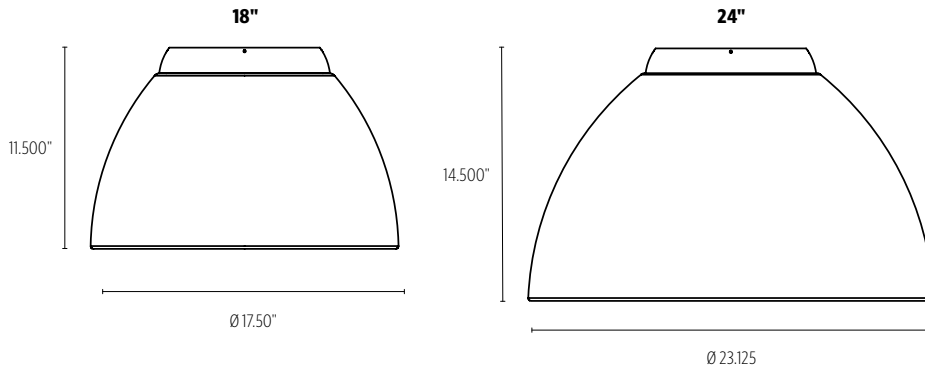
HANGING SYSTEM

- C1NA** INDOOR SURFACE CEILING MOUNT
C10A OUTDOOR SURFACE CEILING MOUNT (ETL LISTED FOR WET LOCATION TO UL1598 & IP66 RATED)

MOUNTING INFORMATION CHART	
LUMINAIRE DIAMETER	LUMINAIRE WEIGHT
18"	6 LBS
24"	12 LBS



SIZES



DIFFUSER

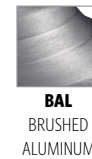


FINISH

METALLIC POWDER COAT FINISHES:



PREMIUM METAL FINISHES:



SOLID POWDER COAT FINISHES:



TEXTURED POWDER COAT FINISHES:



RAL®, Pantone® or custom finishes are also available.

These colors are for reference only. Please be aware that colors may vary per monitor. Contact your local rep for finish samples or with any questions.

LIGHT SOURCE

LUMENS AND WATTAGE CHART			
		18"	24"
LED1	LUMENS DELIVERED	1890	3050
	SYSTEM WATTAGE	18	30
LED2	LUMENS DELIVERED	3320	5230
	SYSTEM WATTAGE	30	50

This chart was created for a 35K color temp. Multiply by 0.95 for 27k color temp, 0.97 for 30k color temp, and 1.03 for 40k color temp. Values shown for 80+ CRI. For 90+ CRI lumens use 0.85 multiplier.

PHOTOMETRY:

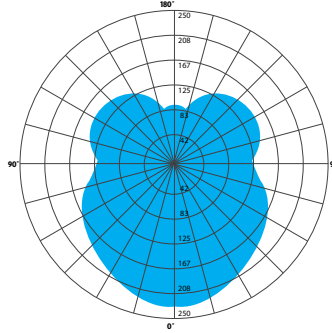
LUMINAIRE: NE1-PIXX-18-MW-PTD-LED1-35K-UNV-XX-DM1
 COLOR TEMP #: 3500K
 OUTPUT: 1898
 EFFICACY: UP TO 111 LM/W
 TEST REPORT: TEST NO. 105083407CRT-001

UGR VALUE CHART			
		18"	24"
LED1		12.7	11.7
LED2		14.7	13.6

Luminaire UGR values are for reference only. UGR is a tool for designers to evaluate a complete space. It is not a check box, or an inherent characteristic of any individual luminaire.

STANDARD COLOR TEMPERATURE OPTIONS	CRI	
2700K	80+	90+
3000K	80+	90+
3500K	80+	90+
4000K	80+	90+

For 80+ CRI - 80 RA, R9 > 0 (10-15 TYP); For 90+ CRI - 90 RA, R9 > 50



ZONE	LUMENS	% OF LUMINAIRE
0-30	190	10%
0-60	627	33%
0-90	1075	57%
90-180	823	43%
0-180	1898	100%

This chart was created using NE1-XXX-18-LED1/35K testing data, and will vary with size & light source specifications chosen. See IES files on product page.

LUMEN MAINTENANCE - 18" & 24" (STATIC WHITE ONLY)

REPORTED: L70 AT >60,000 HRS
 CALCULATED: L70 AT 115,000 HRS
 REPORTED: L90 AT 34,000 HRS
 CALCULATED: L90 AT 34,000 HRS

Derived from EPA TM-21 calculator. Based on typical conditions. Consult the factory for additional details.

CONTROL

DM1 0-10V DIMMING 1%

- 0-10V DIMMING
- 1% MINIMUM DIM LEVEL
- ELECTRONIC DRIVER
- POWER FACTOR >0.9
- THD <20%
- MINIMUM AMBIENT OPERATING TEMPERATURE -31°F
- FIELD REPLACEABLE
- LINEAR DIMMING CURVE
- DIM TO OFF

OPTIONS

ULD DAMP LABEL LUMINAIRE

- MAY BE USED IN A OUTDOOR AREA THAT IS PROTECTED FROM DIRECT CONTACT WITH WIND, RAIN, SNOW OR EXCESSIVE MOISTURE

MOD MODIFIED LUMINAIRE

- LUMINAIRE IS MODIFIED FROM STANDARD OPTIONS. CONTACT LOCAL REP FOR MORE INFORMATION

SPECIFICATIONS

CONSTRUCTION

- DIFFUSER IS MOLDED IN ONE PIECE WITHOUT VISIBLE SEAMS OR JOINTS; **IK10** IMPACT RATED; UV STABLE
- CAST ALUMINUM DRIVER HOUSING FINISHED AS SPECIFIED
- MOUNTING PLATE IS SPUN ALUMINUM
- HARDWARE IS STEEL OR STAINLESS STEEL

MOUNTING

- **C1NA** AND **C10A** MOUNT TO 4X4" OCTAGON OR 4" ROUND J-BOX (BY OTHER)

ELECTRICAL

- DIMMING ELECTRONIC DRIVER, COMES STANDARD WITH 0-10V DOWN TO 1%
- OCL PROPRIETARY LED ARRAYS USE NICHIA 757 DIODES
- LUMINAIRE CONNECTS TO STANDARD BUILDING SUPPLY (120V - 277V, 50/60HZ) UNLESS DRIVER IS REMOTE

LISTING

- **C1NA** ETL LISTED TO UL 1598 FOR DRY LOCATIONS, DAMP LOCATION (**ULD**) LISTED IS OPTION
- **C10A** ETL LISTED TO UL 1598 FOR WET LOCATION; IP66 RATED
- IK10 IMPACT RATING

WARRANTY

- 5 YEAR; ALL ELECTRICAL COMPONENTS RETAIN THE MANUFACTURER'S WARRANTY

BUILD AMERICA, BUY AMERICA (BABA)

- THIS PRODUCT MEETS THE GUIDELINES FOR THE BUILD AMERICA, BUY AMERICA ACT. **SOME EXCLUSIONS APPLY**. FOR MORE INFORMATION AND A FULL LIST OF ELIGIBLE SKUS, VISIT **OCL.COM/BABA**

SUSTAINABILITY

- SURFACE LUMINANCE OF < 1600 CD M/2 - CAN CONTRIBUTE TO **WELL** AND **LEED** SPECIFICATIONS
- THIS PRODUCT MEETS THE MATERIAL RESTRICTIONS OF ARTICLE 4 OF THE **ROHS** DIRECTIVE (2011/65/EU), INCLUDING COMMISSION DELEGATED DIRECTIVE 2015/863

SAFETY REGULATIONS

- CAN BE USED FOR **TITLE 24 PART 6** AND **JA8-2016E** COMPLIANCE — CONTACT YOUR REP FOR HELP WITH YOUR PROJECT REQUIREMENTS AND LUMINAIRE SPECIFICATION

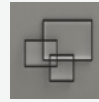
COMMON MODIFICATIONS

WE'RE BUILT FOR OUT-OF-THE-BOX THINKERS.

Nearly 50% of OCL fixtures we manufacture have some type of modification. Here is a list of common modifications we frequently produce. **Please contact the factory for modifications specific to your fixture or project.**

Need some help? Simply send your questions to us at OCL-Quotes@ocl.com

- BIOS, TUNABLE WHITE, WARM-DIM, & RGBW LIGHT SOURCES
- SPECIFIC LUMEN OUTPUT
- MODIFIED CLUSTERS OR CONFIGURATIONS / MULTI-DROP CANOPIES
- VARIOUS SHAPES, ARCS, AND CURVES FOR LINEAR PROFILES AND RINGS
- CEILING OR SURFACE MOUNTING
- LARGE SCALE MODIFICATIONS
- RAL, PANTONE, BRAND-SPECIFIC, RETIRED OCL COLOR, OR CUSTOM FINISHES



- EMERGENCY BATTERY BACKUP OR INVERTER OPTIONS
- REMOTE DRIVERS / EXTENDED DISTANCE REMOTE DRIVERS
- DIMMING TO 0.1% (DIM TO DARK)
- NON-STANDARD SIZES OR LENGTHS
- NON-STANDARD CANOPY, BODY AND/OR CORD COLORS
- SEISMIC AND/OR ANTI-SWAY SYSTEMS
- RIGID STEMS
- MODIFIED OVERALL HEIGHTS (LONGER OR SHORTER OAH)
- UPLIGHT ADDITIONS
- LASER ETCHING, ENGRAVING, AND CUTOUTS

The drawings and specifications and ideas, designs and arrangements represented on these drawings are and shall remain the property of The Original Cast Lighting (OCL Architectural Lighting) and no part thereof shall be copied, disclosed, to others or used in conjunction with any work or project other than the specified project for which they have been prepared and developed, without written consent of OCL. Visual contact with these plans or specifications shall constitute conclusive evidence of acceptance of these restrictions. All specifications and information subject to change without notice.