

INSTALLATION INSTRUCTIONS NEO CEILING WITH C10A & C1NA HANGING SYSTEM

These instructions cover the NEO luminaire with the following options:

SERIES	HANGING SYSTEM	SIZE	LIGHT SOURCE	CONTROL	WIRE DIAGRAM
NE1 (NEO)	C10A: OUTDOOR SURFACE CEILING MOUNT (ETL LISTED FOR WET LOCATION)	18"	WARM DIM	DM1	WIRE DIAGRAM ON PAGE 4
	C1NA: INDOOR SURFACE CEILING MOUNT	24"	STATIC WHITE		WIRE DIAGRAM ON PAGE 5

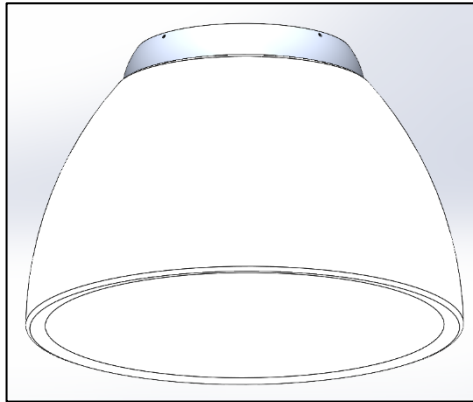


FIG. 1- NE1-C10A_C1NA-XX-MW-PTD-LEDX_XXK-UNV-DM~

GENERAL NOTES:

1. PLEASE COMPLETELY READ THE INSTALL INSTRUCTIONS BEFORE STARTING INSTALLATION.
2. INSTALL IN ACCORDANCE WITH ALL LOCAL, STATE AND NATIONAL CODES CONSULT WITH A QUALIFIED ELECTRICIAN FOR PROPER INSTALLATION.
3. CAREFULLY UNPACK ALL CONTENTS; SOME COMPONENTS MAY HAVE BEEN SHIPPED IN SEPARATE BOXES MOST FIXTURES ARE SHIPPED PARTIALLY ASSEMBLED. SOME UNASSEMBLY MAY BE REQUIRED FOR INSTALLATION.
4. INSPECT EACH COMPONENT RECEIVED; IF ANY COMPONENT SHOWS SIGNS OF DAMAGE OR POTENTIAL FAILURE, STOP INSTALLATION IMMEDIATELY AND CONTACT FACTORY FOR HOW TO PROCEED.
5. DO NOT LET THE NEO LUMINAIRE HANG FREE UNTIL MOUNTING PLATE IS SECURED TO FIXTURE BODY.

Table of Contents

OCL Architectural Lighting
 Phone: 314.863.1895
 Fax: 314.863.3278
www.ocl.com

NE1-C10A-C1NA-INSTALLATION INSTRUCTIONS

GENERAL INFORMATION:..... 3
NEO MOUNTING: 4

NE1-C10A-C1NA-INSTALLATION INSTRUCTIONS

GENERAL INFORMATION:

You will receive the following with each NEO series fixture:

1. NEO LUMINAIRE (Pre-assembled as shown in FIG. 2)
2. INSTALLATION INSTRUCTIONS (shown in FIG. 3) - Please completely read the install instructions before starting installation.

WARNING: Examine all components for any damage before beginning installation.

WARNING: This fixture should be installed by a licensed electrician only.

WARNING: Be careful not to scratch or damage any finished parts.

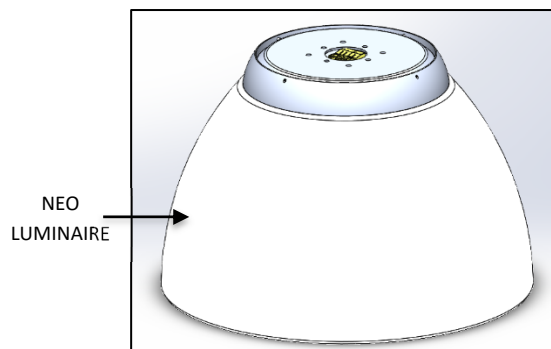


FIG.2 NEO LUMINAIRE (PRE-ASSEMBLED)

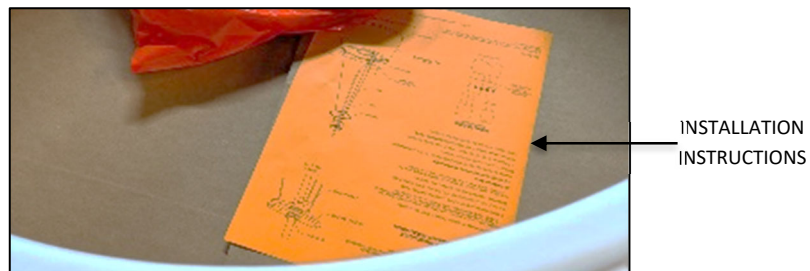


FIG.3 INSTALLATION INSTRUCTIONS

OCL Architectural Lighting

Phone: 314.863.1895

Fax: 314.863.3278

www.ocl.com

NE1-C10A-C1NA-INSTALLATION INSTRUCTIONS

NEO MOUNTING:

1. Shut off power.
2. Unscrew SETSCREWS 4 places and remove the MOUNTING PLATE out of LUMINAIRE as shown in FIG 4.
3. Attach MOUNTING PLATE to JUNCTION BOX (BY OTHER) as shown below in FIG. 5.

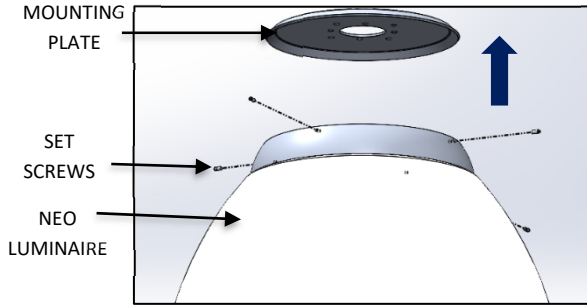


FIG. 4- MOUNTING PLATE DIS-ASSEMBLY

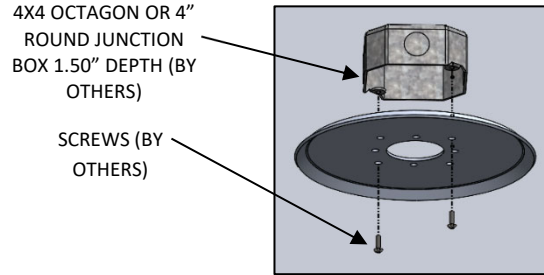


FIG. 5- MOUNTING PLATE INSTALLATION

4. Raise the fixture and make all electrical connections as per WIRE DIAGRAMS as shown in FIG.6 for wet rated C10A or FIG.8 for indoor/damp rated C1NA in accordance with the national electrical code and applicable local and state code.

WIRE DIAGRAM TABLE		
SERIES	HANGING SYSTEM	WIRE DIAGRAM
NE1 (NEO)	C10A	WIRE DIAGRAM ON PAGE 4
	C1NA	WIRE DIAGRAM ON PAGE 5

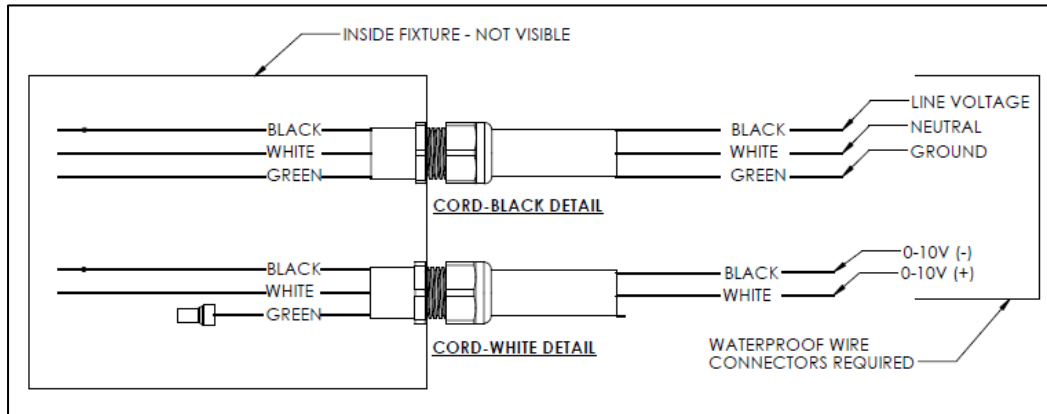


FIG. 6 - C10A WIRE DIAGRAM

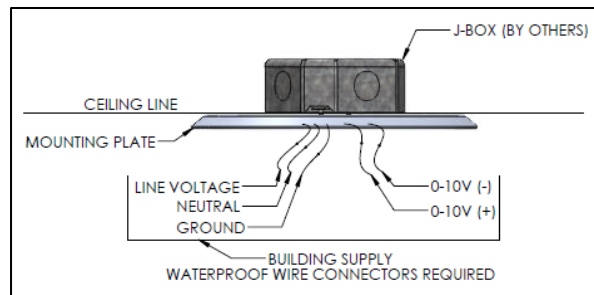


FIG. 7 - C10A BUILDING SUPPLY WIRING

NE1-C10A-C1NA-INSTALLATION INSTRUCTIONS

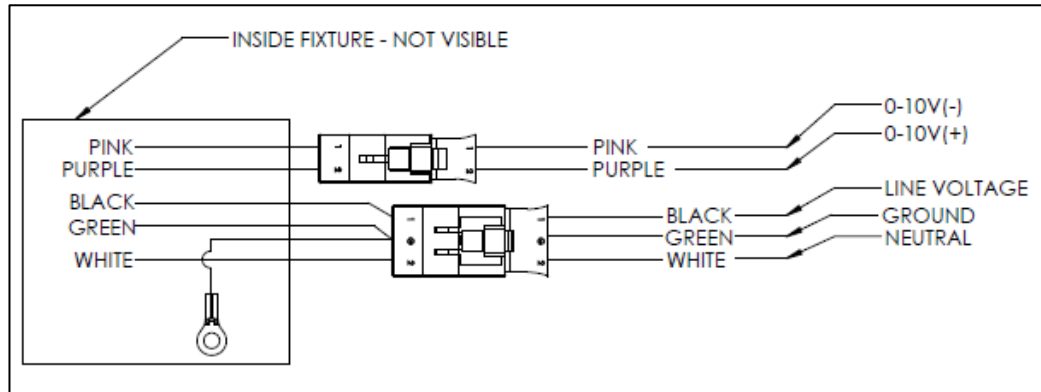


FIG. 8 – C1NA WIRE DIAGRAM

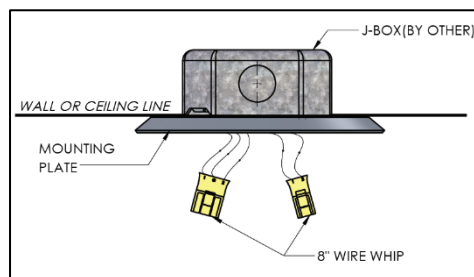


FIG. 9 - C1NA BUILDING SUPPLY

- Slide FIXTURE BODY over MOUNTING PLATE. Tighten SET SCREWS (do not over tighten - hand tighten only) to secure FIXTURE (make sure that all the SET SCREWS engage the MOUNTING PLATE in order to safely hold the FIXTURE) as shown below in FIG. 10.

WARNING:



Do not let the NEO LUMINAIRE hang free until MOUNTING PLATE is secured to FIXTURE BODY.

- For outdoor fixtures (C10A) only: Apply outdoor rated silicone in a continuous bead around the circumference of the fixture where the fixture meets the ceiling as shown below in FIG. 11. **DISCLAIMER: FAILURE TO DO SO WILL VOID ALL WARRANTIES**

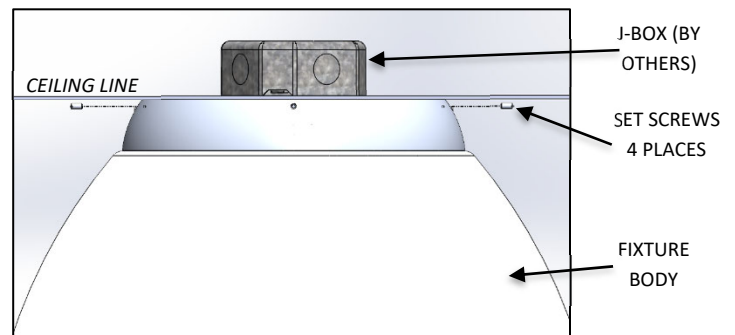


FIG. 10 – FIXTURE BODY INSTALLATION

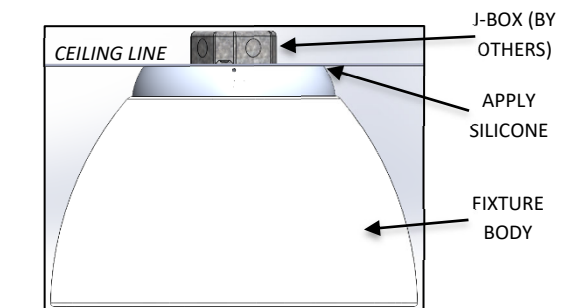


FIG. 11 – SILICONE INSTALLATION

OCL Architectural Lighting

Phone: 314.863.1895
Fax: 314.863.3278
www.ocl.com

NE1-C10A-C1NA-INSTALLATION INSTRUCTIONS

7. Restore power to circuit the NEO series is connected to.
 - a. Test to see that the luminaire turns on after power is restored.
 - b. Contact OCL for any luminaire troubleshooting if a problem occurs.

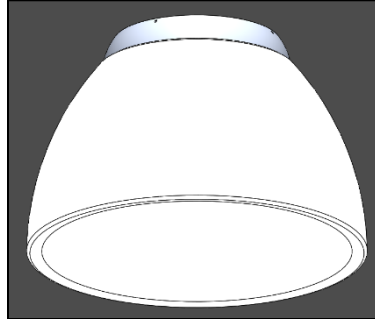


FIG. 12 - COMPLETED INSTALLATION OF NE1-C10A_C1NA-XX-MW-PTD-LEDX_XXK-UNV-DM~