



Neo™

PENDANT

FEATURES


- FULLY LUMINOUS SHADE PROVIDES VISUAL PRESENCE WITH SOFT, UNIFORM ILLUMINATION, AND OPTIMAL 60/40 DISTRIBUTION
- SMOOTH AND ATTRACTIVE OPTICAL DESIGN SUPPLIES OUTSTANDING EFFICACY AND VISUAL COMFORT WITH MINIMAL GLARE (UGR - SEE PAGE 4 FOR DETAILS)
- SEAMLESS ONE PIECE MOLDED DIFFUSER IS FULLY ENCLOSED, ELIMINATING ACCUMULATION OF DUST AND DEBRIS
- IMPACT RESISTANT - RUGGED & ROBUST DIFFUSER CONSTRUCTION WITHSTANDS BUMPS, HITS & STRIKES
- 18", 24", AND 36" DIAMETERS
- AVAILABLE IN 80+ CRI AND 90+ CRI
- FIELD REPLACEABLE LEDS AND DRIVERS
- 3 STEP LED BINNING
- SURFACE LUMINANCE OF < 1600 CD M/2 - CAN CONTRIBUTE TO **WELL** AND **LEED** SPECIFICATIONS
- ETL LISTED TO UL STANDARDS FOR DAMP LOCATION (ULD OPTION)**



CATALOG CODES

NE1	-	B	-	C	-	MW	-	E	-	F	-	UNV	-	H	-	DM1	-	J
SERIES		HANGING SYSTEM		SIZE		DIFFUSER		FINISH		LIGHT SOURCE		VOLTAGE		OAH		CONTROL		OPTIONS

SPECIFY CATALOG CODE

A	B		C	D	E	
SERIES	HANGING SYSTEM		SIZE	DIFFUSER	CANOPY FINISH*	
 NE1 NEO	MOUNTING TYPE*		18	MW MATTE WHITE	POWDER COAT FINISHES BKP BLACK BMP BRASS METALLIC BNP BRONZE BTP BLACK TEXTURED GRP GRAPHITE GLP GOLDTASTIC MWP MATTE WHITE SGP STEEL GRAY SMP SILVER METALLIC SWP SKY WHITE WTP WHITE TEXTURED NFA NO FINISH AVAILABLE (P1FB ONLY) PREMIUM METAL FINISHES BAL BRUSHED ALUMINUM	
	P1FK	PENDANT WITH 5.75" SURFACE MOUNT CANOPY, SINGLE CENTER AIRCRAFT CABLE AND POWER CORD; MOUNTS TO 4X4 OCTAGON J-BOX (BY OTHERS); INTEGRAL DRIVERS; (NOTE: 18" AND 24" ONLY)				B BLACK POWER CORD
	P1FB	PENDANT WITH FLAT CANOPY, SINGLE CENTER AIRCRAFT CABLE AND POWER CORD; MOUNTS TO OCL RECESSED J-BOX (PROVIDED BY OCL)				W WHITE POWER CORD
	P1FF	PENDANT WITH 8" SURFACE MOUNT CANOPY, SINGLE CENTER AIRCRAFT CABLE AND POWER CORD; MOUNTS TO 4X4 OCTAGON J-BOX (BY OTHERS); INTEGRAL DRIVERS; (NOTE: 36" ONLY)		24		
			36			

F			G	H	I	J
LIGHT SOURCE			VOLTAGE	OAH**	CONTROL	OPTIONS
LED OUTPUT	COLOR TEMP (80+ CRI)	COLOR TEMP (90+ CRI)	UNV 120-277	48 100 144	DM1 0-10V DIMMING 1% NOTE: FOR ADDITIONAL CONTROL OPTIONS, CONTACT FACTORY	ULD DAMP LABEL MOD MODIFIED LUMINAIRE (CONTACT LOCAL REP)
LED1	27K	927K				
LED2	30K	930K				
	35K	935K				
	40K	940K				

SAMPLE CODE: NE1-P1FKB-18-MW-MWP-LED1/27K-UNV-48-DM1

P1FK and **P1FF** canopy color will match the finish choice; **P1FB** canopy color is **MWP**

**For Minimum OAH, see hanging systems details. Fixture will ship with one of three standard OAH's (48", 100" or 144") field adjustable to the desired height.

UP TO **111** LM/W

LUMENS AND WATTAGE CHART		18"	24"	36"
LED1	LUMENS DELIVERED	1890	3050	6350
	SYSTEM WATTAGE	18	30	58
LED2	LUMENS DELIVERED	3320	5230	9850
	SYSTEM WATTAGE	30	50	90

This chart was created for a 35K color temp. Multiply by 0.95 for 27k color temp, 0.97 for 30k color temp, and 1.03 for 40k color temp. Values shown for 80+ CRI. For 90+ CRI lumens use 0.85 multiplier.

MODS, NOTES, & COMMENTS

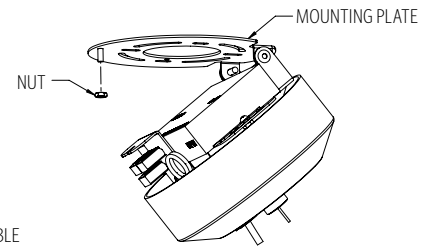
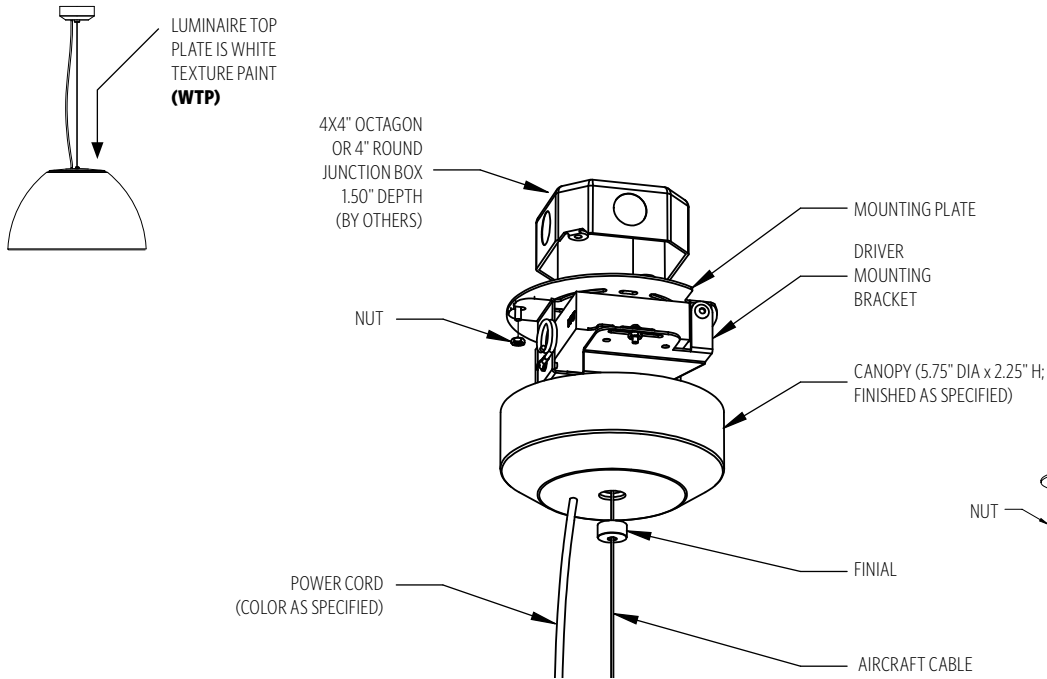
HANGING SYSTEM

P1FK PENDANT WITH 5.75" SURFACE MOUNT CANOPY, SINGLE CENTER AIRCRAFT CABLE AND POWER CORD; MOUNTS TO 4X4 OCTAGON J-BOX (BY OTHERS); INTEGRAL DRIVERS; (**NOTE: 18" AND 24" ONLY**)

MOUNTING INFORMATION CHART

LUMINAIRE DIAMETER	LUMINAIRE WEIGHT	MIN/MAX OAH
18"	6 LBS	18"/144"
24"	12 LBS	21.5"/144"

P1FK ships with one of three OAH's (48", 100" or 144") and is field adjustable to the desired height.

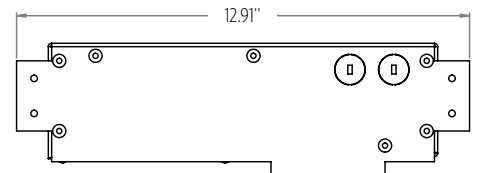
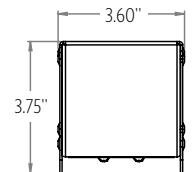
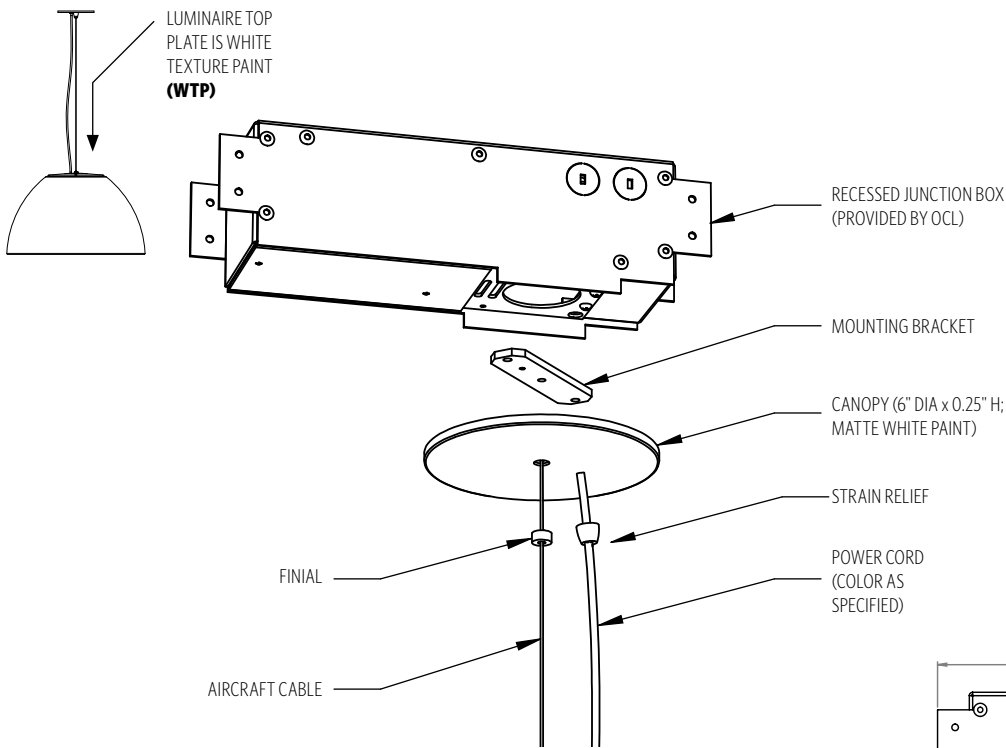


P1FB PENDANT WITH FLAT CANOPY, SINGLE CENTER AIRCRAFT CABLE AND POWER CORD; MOUNTS TO OCL RECESSED J-BOX (PROVIDED BY OCL)

MOUNTING INFORMATION CHART

LUMINAIRE DIAMETER	LUMINAIRE WEIGHT	MIN/MAX OAH
18"	6 LBS	16"/144"
24"	12 LBS	19.5"/144"
36"	26 LBS	23"/144"

P1FB ships with one of three OAH's (48", 100" or 144") and is field adjustable to the desired height.



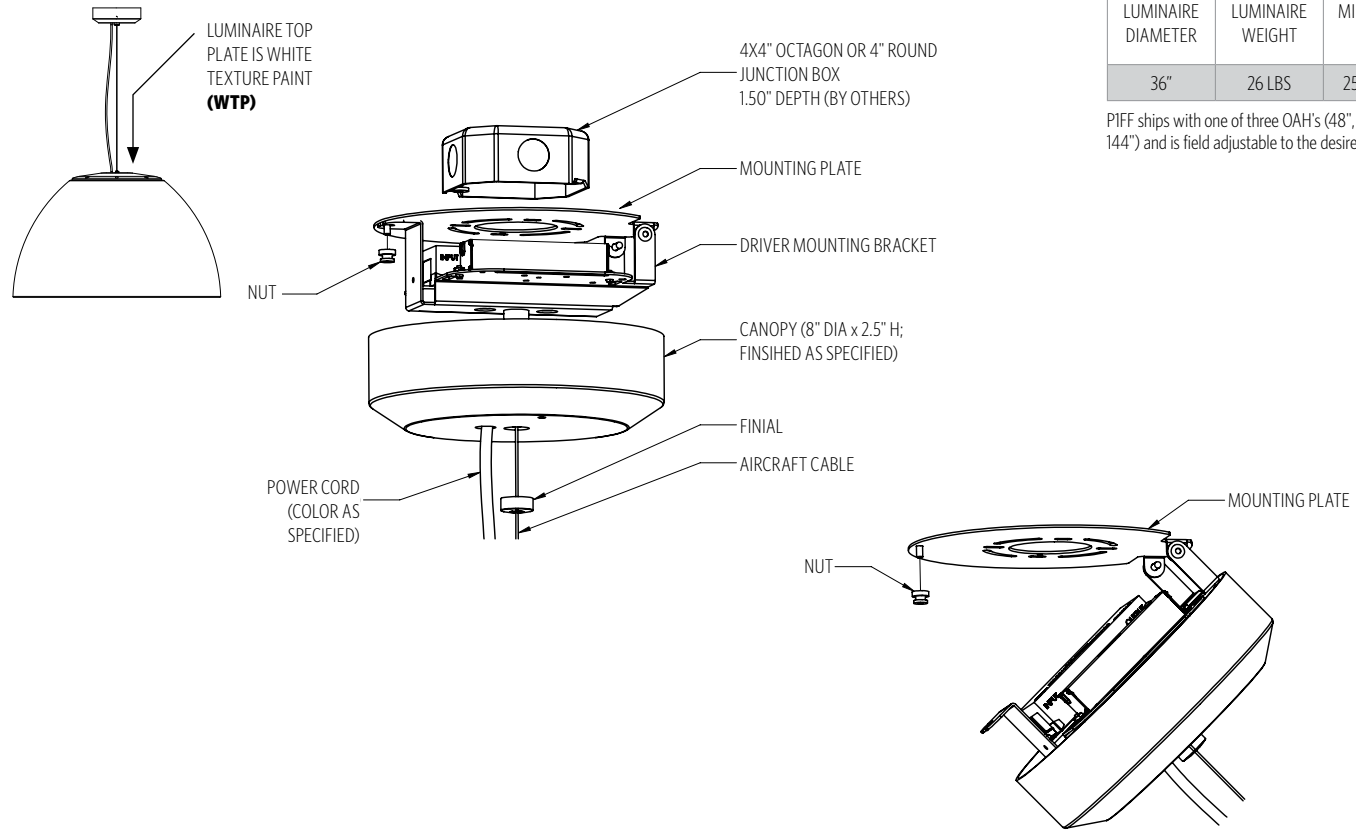
PROFILE VIEW
RECESSED JUNCTION BOX

PIFF PENDANT WITH 8" SURFACE MOUNT CANOPY, SINGLE CENTER AIRCRAFT CABLE AND POWER CORD; MOUNTS TO 4X4 OCTAGON J-BOX (BY OTHERS); INTEGRAL DRIVERS; (**NOTE** 36" ONLY)

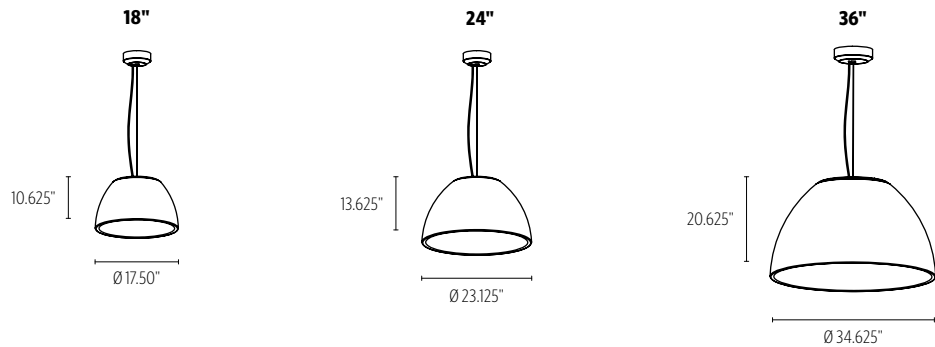
MOUNTING INFORMATION CHART

LUMINAIRE DIAMETER	LUMINAIRE WEIGHT	MIN/MAX OAH
36"	26 LBS	25"/144"

PIFF ships with one of three OAH's (48", 100" or 144") and is field adjustable to the desired height.



SIZES



DIFFUSER

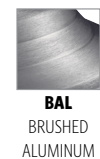


FINISH

METALLIC POWDER COAT FINISHES:



PREMIUM METAL FINISHES:



SOLID POWDER COAT FINISHES:



TEXTURED POWDER COAT FINISHES:



RAL®, Pantone® or custom finishes are also available.

These colors are for reference only. Please be aware that colors may vary per monitor. Contact your local rep for finish samples or with any questions.

LIGHT SOURCE

LUMENS AND WATTAGE CHART		18"	24"	36"
LED1	LUMENS DELIVERED	1890	3050	6350
	SYSTEM WATTAGE	18	30	58
LED2	LUMENS DELIVERED	3320	5230	9850
	SYSTEM WATTAGE	30	50	90

This chart was created for a 35K color temp. Multiply by 0.95 for 27k color temp, 0.97 for 30k color temp, and 1.03 for 40k color temp. Values shown for 80+ CRI. For 90+ CRI lumens use 0.85 multiplier.

STANDARD COLOR TEMPERATURE OPTIONS	CRI	
2700K	80+	90+
3000K	80+	90+
3500K	80+	90+
4000K	80+	90+

For 80+ CRI - 80 RA, R9 > 0 (10-15 TYP); For 90+ CRI - 90 RA, R9 > 50

ZONE	LUMENS	% OF LUMINAIRE
0-30	190	10%
0-60	627	33%
0-90	1075	57%
90-180	823	43%
0-180	1898	100%

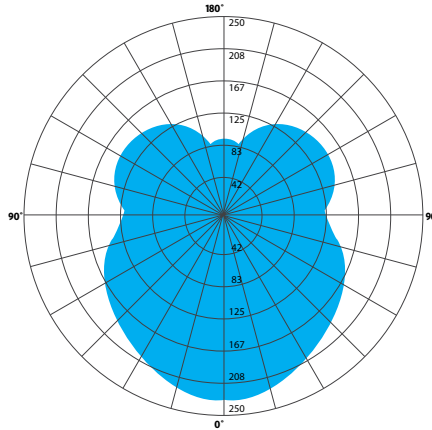
This chart was created using NEI-XXX-18-LED1/35K testing data, and will vary with size & lightsource specifications chosen. See IES files on product page.

PHOTOMETRY:

LUMINAIRE: NEI-P1XX-18-MW-PTD-LED1-35K-UNV-XX-DM1
 COLOR TEMP #: 3500K
 OUTPUT: 1898
 EFFICACY: UP TO 111 LM/W
 TEST REPORT: TEST NO. 105083407CRT-001

UGR VALUE CHART	18"	24"	36"
LED1	12.7	11.7	11.3
LED2	14.7	13.6	12.9

Luminaire UGR values are for reference only. UGR is a tool for designers to evaluate a complete space. It is not a check box, or an inherent characteristic of any individual luminaire.



LUMEN MAINTENANCE - 18" & 24"

REPORTED: L70 AT >60,000 HRS
 CALCULATED: L70 AT 115,000 HRS
 REPORTED: L90 AT 34,000 HRS
 CALCULATED: L90 AT 34,000 HRS

LUMEN MAINTENANCE - 36"

REPORTED: L70 AT >60,000 HRS
 CALCULATED: L70 AT 124,000 HRS
 REPORTED: L90 AT 37,000 HRS
 CALCULATED: L90 AT 37,000 HRS

Derived from EPA TM-21 calculator. Based on typical conditions. Consult the factory for additional details.

CONTROL

DM1 0-10V DIMMING 1%

- 0-10V DIMMING
- 1% MINIMUM DIM LEVEL
- ELECTRONIC DRIVER
- POWER FACTOR >0.9
- THD <20%
- MINIMUM AMBIENT OPERATING TEMPERATURE -31°F
- FIELD REPLACEABLE

OPTIONS

ULD DAMP LABEL LUMINAIRE

- MAY BE USED IN A OUTDOOR AREA THAT IS PROTECTED FROM DIRECT CONTACT WITH WIND, RAIN, SNOW OR EXCESSIVE MOISTURE

MOD MODIFIED LUMINAIRE

- LUMINAIRE IS MODIFIED FROM STANDARD OPTIONS. CONTACT LOCAL REP FOR MORE INFORMATION

SPECIFICATIONS

CONSTRUCTION

- DIFFUSER IS MOLDED IN ONE PIECE WITHOUT VISIBLE SEAMS OR JOINTS
- CAST ALUMINUM TOP PLATE WITH WHITE TEXTURE PAINT (WTP) FINISH
- HANGING SYSTEMS USE STEEL OR ALUMINUM CANOPIES WITH AIRCRAFT CABLE SUPPORTS
- HARDWARE IS STEEL OR STAINLESS STEEL

MOUNTING

- **PIFF** AND **PIFK** MOUNT TO 4X4" OCTAGON OR 4" ROUND J-BOX (BY OTHER)
- **PIFB** MOUNTS TO OCL PROPRIETARY RECESSED J-BOX (PROVIDED BY OCL)

ELECTRICAL

- DIMMING ELECTRONIC DRIVER, COMES STANDARD WITH 0-10V DOWN TO 1%
- OCL PROPRIETARY LED ARRAYS USE NICHIA 757 DIODES
- LUMINAIRE CONNECTS TO STANDARD BUILDING SUPPLY (120V - 277V, 50/60HZ) UNLESS DRIVER IS REMOTE

LISTING

- ETL LISTED TO UL 1598 FOR DRY LOCATIONS, DAMP LOCATION (**ULD**) LISTED IS OPTION

WARRANTY

- 5 YEAR; ALL ELECTRICAL COMPONENTS RETAIN THE MANUFACTURER'S WARRANTY

SUSTAINABILITY

- SURFACE LUMINANCE OF < 1600 CD M/2 - CAN CONTRIBUTE TO **WELL** AND **LEED** SPECIFICATIONS
- THIS PRODUCT MEETS THE MATERIAL RESTRICTIONS OF ARTICLE 4 OF THE **ROHS** DIRECTIVE (2011/65/EU), INCLUDING COMMISSION DELEGATED DIRECTIVE 2015/863

SAFETY REGULATIONS

- CAN BE USED FOR **TITLE 24 PART 6** AND **JA8-2016E** COMPLIANCE — CONTACT YOUR REP FOR HELP WITH YOUR PROJECT REQUIREMENTS AND LUMINAIRE SPECIFICATION

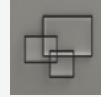
COMMON MODIFICATIONS

WE'RE BUILT FOR OUT-OF-THE-BOX THINKERS.

Nearly 50% of OCL fixtures we manufacture have some type of modification. Here is a list of common modifications we frequently produce. **Please contact the factory for modifications specific to your fixture or project.**

Need some help? Simply send your questions to us at OCL-Quotes@ocl.com

- BIOS, TUNABLE WHITE, WARM-DIM, & RGBW LIGHT SOURCES
- SPECIFIC LUMEN OUTPUT
- MODIFIED CLUSTERS OR CONFIGURATIONS / MULTI-DROP CANOPIES
- VARIOUS SHAPES, ARCS, AND CURVES FOR LINEAR PROFILES AND RINGS
- CEILING OR SURFACE MOUNTING
- LARGE SCALE MODIFICATIONS
- RAL, PANTONE, BRAND-SPECIFIC, RETIRED OCL COLOR, OR CUSTOM FINISHES



- EMERGENCY BATTERY BACKUP OR INVERTER OPTIONS
- REMOTE DRIVERS / EXTENDED DISTANCE REMOTE DRIVERS
- DIMMING TO 0.1% (DIM TO DARK)
- NON-STANDARD SIZES OR LENGTHS
- NON-STANDARD CANOPY, BODY AND/OR CORD COLORS
- SEISMIC AND/OR ANTI-SWAY SYSTEMS
- RIGID STEMS
- MODIFIED OVERALL HEIGHTS (LONGER OR SHORTER OAH)
- UPLIGHT ADDITIONS
- LASER ETCHING, ENGRAVING, AND CUTOUTS

The drawings and specifications and ideas, designs and arrangements represented on these drawings are and shall remain the property of The Original Cast Lighting (OCL Architectural Lighting) and no part thereof shall be copied, disclosed, to others or used in conjunction with any work or project other than the specified project for which they have been prepared and developed, without written consent of OCL. Visual contact with these plans or specifications shall constitute conclusive evidence of acceptance of these restrictions. All specifications and information subject to change without notice.