



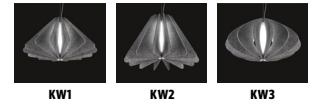
Kwyet™ Sphere

PENDANT

FEATURES


- AVAILABLE WITH STATIC WHITE, TUNABLE WHITE, BIOS, AND RGBW LIGHT SOURCES
- COMBINATION OF OUR TUBIE™ LUMINAIRE AND SOUND ABSORBING 9MM ACOUSTIC FIN
- 21" OR 33" DIAMETER WITH SPHERE SHAPE
- AVAILABLE IN 80+ CRI AND 90+ CRI (R9>50)
- CHOICE OF DUAL-CIRCUIT PERFORMANCE COB DOWNLIGHT
- WELL BUILDING: CONTRIBUTES TO MEETING WELL™ FEATURES L03, L04, L07 AND S04

RELATED PRODUCTS



CATALOG CODES

KW4	B	C	MW	E	I	G	I	UNV	J	K	L
SERIES	HANGING SYSTEM	SIZE	DIFFUSER	ACOUSTIC COLOR	LIGHT SOURCE: BODY	REFLECTOR	LIGHT SOURCE: DOWNLIGHT	VOLTAGE	CCL	CONTROL	OPTIONS

SPECIFY CATALOG CODE												
A	B					C	D	E				
SERIES	HANGING SYSTEM					SIZE	DIFFUSER	ACOUSTIC COLORS				
 KW4 SPHERE	STATIC WHITE SURFACE MOUNT P1FK PENDANT WITH 5.75" SURFACE MOUNT CANOPY, SINGLE CENTER AIRCRAFT CABLE AND WHITE POWER CORD; MOUNTS TO 4X4 OCTAGON J-BOX (BY OTHERS); INTEGRAL DRIVERS; NOTE: STATIC WHITE WITH NO DOWNLIGHT (ND)					21 33	MW MATTE WHITE	PBK PURE BLACK	MNB MIDNIGHT BLUE			
	CHG CHARCOAL	DPP DEEP PURPLE										
	SLT SLATE	BRY BERRY										
STATIC WHITE, TUNABLE WHITE, OR RGBW FLAT CANOPY MOUNT P1FF PENDANT WITH 8" SURFACE MOUNT CANOPY, SINGLE CENTER AIRCRAFT CABLE AND WHITE POWER CORD; MOUNTS TO 4X4 OCTAGON J-BOX (BY OTHERS); INTEGRAL DRIVERS; NOTE: STATIC WHITE WITH DOWNLIGHT							SDG SHADOW GRAY	CHR CHERRY RED				
STATIC WHITE, TUNABLE WHITE, OR RGBW FLAT CANOPY MOUNT P1FG PENDANT WITH 5" FLAT CANOPY, SINGLE CENTER AIRCRAFT CABLE AND WHITE POWER CORD; MOUNTS TO 4X4 OCTAGON J-BOX (BY OTHERS); REMOTE DRIVER ENCLOSURE							PIC PEARL ICE	CRT CARROT				
							CWH CLASSIC WHITE	DWT DEEPWATER				
							SLG SILVER GRAY	PNA PINEAPPLE				
							NTL NATURAL LINEN	LMS LIMESTONE				
							HZW HAZELWOOD	EMG EMERALD GREEN				
							CFB CORNFLOWER BLUE	CNM CINNAMON				
							DNB DENIM BLUE	BLS BLUSH				
							BRD BRICK RED	SFM SEAFOAM				

F			G	H		I	J	K		L
LIGHT SOURCE			REFLECTOR	LIGHT SOURCE: DOWNLIGHT		VOLTAGE	CORD & CABLE LENGTH**	CONTROL		OPTIONS
LED OUTPUT LED1 LED2	COLOR TEMP (80+ CRI)	COLOR TEMP (90+ CRI)	ND NO DOWNLIGHT NF NARROW FLOOD [25 DEGREE]	LED OUTPUT LED1	COLOR TEMP (80+ CRI)	UNV 120-277	48 100 144	DM1 0-10V DIMMING 1%	BIOS BIOS SKYBLUE™ OR BIOS SKLYBLUE™ DYNAMIC LIGHT ENGINE****	MOD MODIFIED LUMINAIRE (CONTACT LOCAL REP)
	27K 30K 35K 40K	927K 930K 935K 940K								
TWH1	TUNABLE WHITE 2700K - 5000K CRI 90+; R9 50+		WF WIDE FLOOD [60 DEGREE]		(90+ CRI)			DM8 DUAL 0-10V DIMMING 0.1% NOTE: REQUIRES P1FG HANGING SYSTEM		
RGBW	RGBW					927K 930K 935K 940K		DALI DALI TYPE 8 CONTROL SYSTEM, DIMMABLE TO 0.1% NOTE: REQUIRES P1FG HANGING SYSTEM		
								DMX DMX CONTROL; DIMMABLE TO 0.1% NOTE: REQUIRES P1FG HANGING SYSTEM		

SAMPLE CODE (WITH DOWNLIGHT): KW4-P1FF-21-MW-CHG-LED1/27K-NF-LED1/27K-UNV-100-DM1
 SAMPLE CODE (WITHOUT DOWNLIGHT): KW4-P1FK-33-MW-CHG-LED1/27K-ND-UNV-100-DM1

*Body and canopy finish white textured paint (WTP) standard; power cord white unless specified; additional colors possible; contact your local rep for availability and lead times
 **For minimum CCL, see hanging systems details. Fixture will ship with one of three standard CCL's (48", 100" or 144") field adjustable to the desired height
 ***Contact factory for BIOS SkyBlue® or BIOS SkyBlue® Dynamic light engine and control options.



This product meets the material restrictions of Article 4 of the RoHS Directive (2011/65/EU), including Commission Delegated Directive 2015/863

MODS, NOTES, & COMMENTS

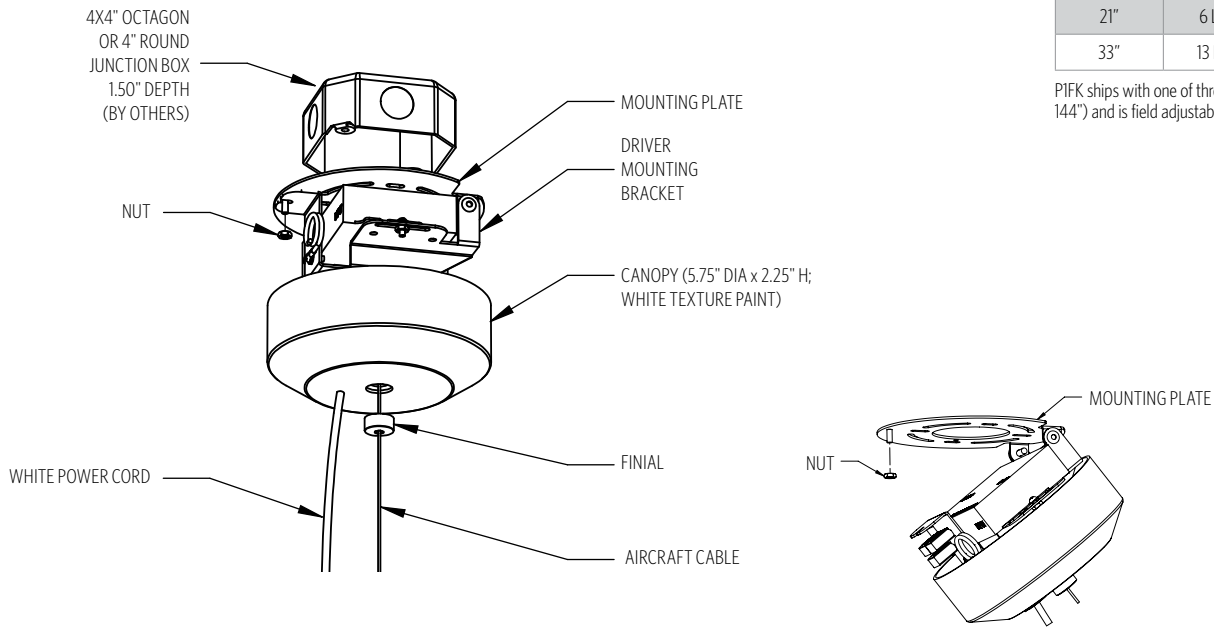
HANGING SYSTEM

PIFK PENDANT WITH 5.75" SURFACE MOUNT CANOPY, SINGLE CENTER AIRCRAFT CABLE AND WHITE POWER CORD; MOUNTS TO 4X4 OCTAGON J-BOX (BY OTHERS); INTEGRAL DRIVER;
NOTE: STATIC WHITE WITH NO DOWNLIGHT

MOUNTING INFORMATION CHART

LUMINAIRE DIAMETER	LUMINAIRE WEIGHT	MIN/MAX OAH
21"	6 LBS	25/144"
33"	13 LBS	37/144"

PIFK ships with one of three CCL's (48", 100" or 144") and is field adjustable to the desired height.

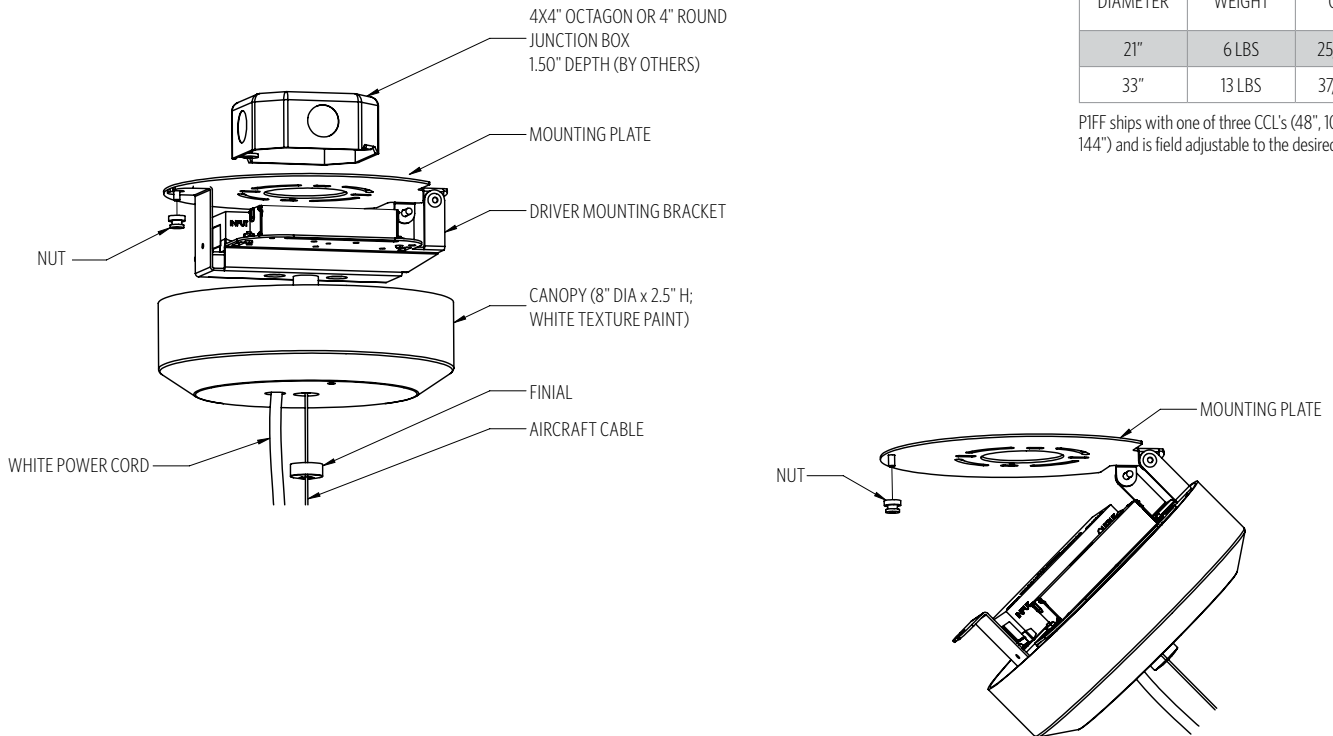


PIFF PENDANT WITH 8" SURFACE MOUNT CANOPY, SINGLE CENTER AIRCRAFT CABLE AND WHITE POWER CORD; MOUNTS TO 4X4 OCTAGON J-BOX (BY OTHERS); INTEGRAL DRIVERS; **NOTE:** STATIC WHITE WITH DOWNLIGHT ONLY

MOUNTING INFORMATION CHART

LUMINAIRE DIAMETER	LUMINAIRE WEIGHT	MIN/MAX OAH
21"	6 LBS	25/144"
33"	13 LBS	37/144"

PIFF ships with one of three CCL's (48", 100" or 144") and is field adjustable to the desired height.

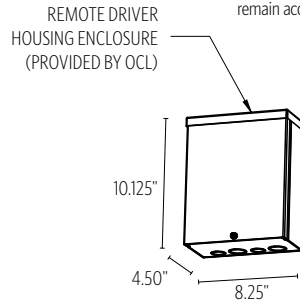
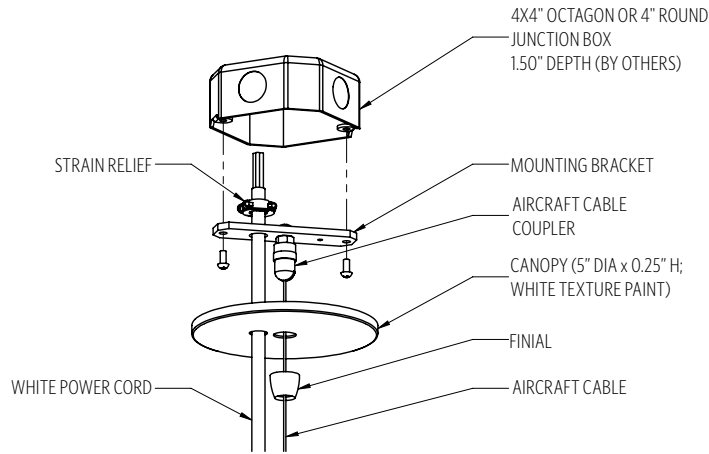


PIFG PENDANT WITH 5" FLAT CANOPY, SINGLE CENTER AIRCRAFT CABLE AND WHITE POWER CORD; MOUNTS TO 4X4 OCTAGON J-BOX (BY OTHERS); REMOTE DRIVER ENCLOSURE

MOUNTING INFORMATION CHART

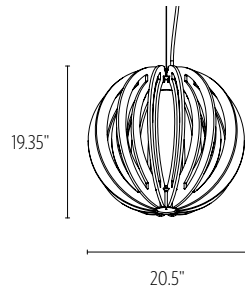
LUMINAIRE DIAMETER	LUMINAIRE WEIGHT	MIN/MAX OAH
21"	6 LBS	23/144"
33"	13 LBS	35/144"

PIFG ships with one of three CCL's (48", 100" or 144") and is field adjustable to the desired height. PIFG will include ETL listed enclosure for remote mounting drivers. Max 30" distance from luminaire for **DM1, DM8, DALI** and **DMX**. Enclosure must remain accessible after installation..

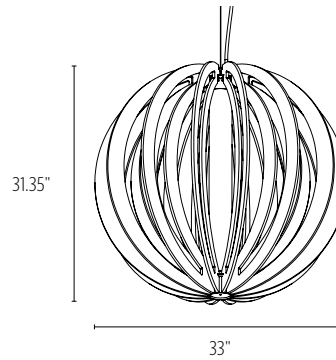


SIZES

KW4 21" BODY



KW4 33" BODY



DIFFUSER

ACRYLIC FINISHES:



MW
MATTE WHITE

TEXTURED POWDER COAT FINISHES:



WTP
WHITE TEXTURED

RAL®, Pantone® or custom finishes are also available.

These colors are for reference only. Please be aware that colors may vary per monitor. Contact your local rep for finish samples or with any questions.

FINISHES & MATERIALS

ACOUSTIC COLORS:

PBK PURE BLACK	CHG CHARCOAL	SLT SLATE	SDG SHADOW GRAY	PIC PEARL ICE	CWH CLASSIC WHITE	SLG SILVER GRAY
NTL NATURAL LINEN	HZW HAZELWOOD	CFB CORNFLOWER BLUE	DNB DENIM BLUE	BRD BRICK RED	MNB MIDNIGHT BLUE	DPP DEEP PURPLE
BRY BERRY	CHR CHERRY RED	CRT CARROT	DWT DEEPWATER	PNA PINEAPPLE	LMS LIMESTONE	EMG EMERALD GREEN
CNM CINNAMON	BLS BLUSH	SFM SEAFOAM				

LIGHT SOURCE

LUMENS AND WATTAGE CHART		BODY		DOWNLIGHT	
		21"	33"	NF	WF
LED1	LUMENS DELIVERED	815	990	1525	1495
	SYSTEM WATTAGE	7	9	15	15
LED2	LUMENS DELIVERED	1050	1765	N/A	N/A
	SYSTEM WATTAGE	9	16	N/A	N/A
TWH1	LUMENS DELIVERED	580	870	N/A	N/A
	SYSTEM WATTAGE	6	9	N/A	N/A
RGBW	LUMENS DELIVERED	-	-	N/A	N/A
	SYSTEM WATTAGE	-	-	N/A	N/A

STANDARD COLOR TEMPERATURE OPTIONS	CRI (RA)	
	2700K	80+
3000K	80+	90+
3500K	80+	90+
4000K	80+	90+
TWH1	90+	
RGBW	N/A	

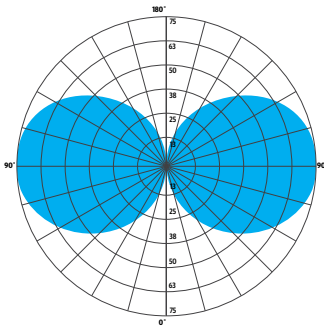
ZONE	LUMENS	% OF LUMINAIRE
0-30	21	3%
0-60	147	18%
0-90	393	48%
90-180	423	52%
0-180	815	100%

This chart was created for a 35K color temp. Multiply by 0.95 for 27k color temp, 0.97 for 30k color temp, and 1.03 for 40k color temp. Wattage and lumen data for **TWH1** approx. pending LM-79 testing; contact factory for **RGBW**.

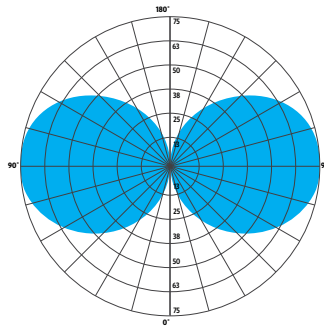
Values shown for 80+ CRI. For 90+ CRI lumens use 0.85 multiplier.

PHOTOMETRY:

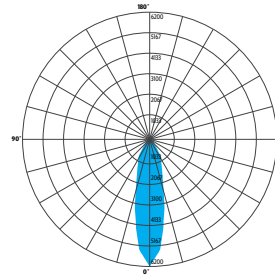
LUMINAIRE: KW4-P1XX-21-MW-CWH-LED1/35K-ND-UNV-XX-DM1
 COLOR TEMP #: 3500K
 EFFICACY: UP TO 117 LM/W
 TEST REPORT: TEST NO. 105116625CHI-001



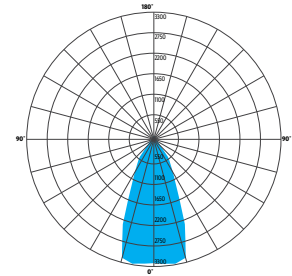
21" BODY ONLY



33" BODY ONLY



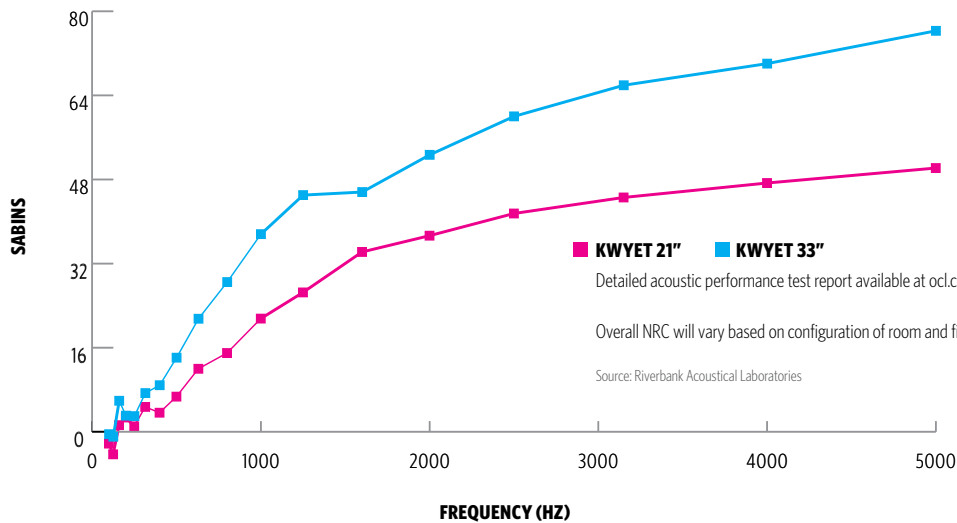
NARROW FLOOD (NF)



WIDE FLOOD (WF)

ACOUSTICAL TESTING

KWYET SPHERE (KW4) ACOUSTIC PERFORMANCE (21" X 6 UNITS, 33" X 4 UNITS):



CONTROL

DM1 0-10V DIMMING 1%

- 0-10V DIMMING PROTOCOL
- 1% MINIMUM DIM LEVEL
- ELECTRONIC DRIVER
- POWER FACTOR >0.9
- THD <20%
- MINIMUM AMBIENT OPERATING TEMPERATURE -31°F
- LINEAR DIMMING CURVE
- FIELD REPLACEABLE

DALI DALI CONTROL SYSTEM, DIMMABLE 0.1%

- DALI-2 DEVICE TYPE 6 CONTROL PROTOCOL
- 0.1% MINIMUM DIM LEVEL
- ELECTRONIC DRIVER
- POWER FACTOR >0.9
- THD <20%
- MINIMUM AMBIENT OPERATING TEMPERATURE -4°F
- LOGARITHMIC DIMMING CURVE [DEFAULT]
- FIELD REPLACEABLE

DMX DMX CONTROL DIMMABLE TO 0.1%

- DMX/RDM DIMMING PROTOCOL
- 0.1% MINIMUM DIM LEVEL
- ELECTRONIC DRIVER
- POWER FACTOR >0.9
- THD <20%
- MINIMUM AMBIENT OPERATING TEMPERATURE -4°F
- LOGARITHMIC DIMMING CURVE [DEFAULT]
- FIELD REPLACEABLE

DM8 DUAL 0-10V DIMMING 0.1%

- 0-10V DIMMING PROTOCOL
- 0.1% MINIMUM DIM LEVEL
- ELECTRONIC DRIVER
- POWER FACTOR >0.9
- THD <20%
- MINIMUM AMBIENT OPERATING TEMPERATURE -4°F
- LOGARITHMIC DIMMING CURVE [DEFAULT]
- FIELD REPLACEABLE

OPTIONS

MOD MODIFIED LUMINAIRE

- LUMINAIRE IS MODIFIED FROM STANDARD OPTIONS; CONTACT LOCAL REP FOR MORE INFORMATION

BIOS

- BIOS SKYBLUE™ DYNAMIC** LIGHT ENGINE IS DIMMABLE AND FEATURES A SIMPLE APPROACH TO CIRCADIAN LIGHTING CONTROLS.
- WHEN PAIRED WITH THE BIOS BIO-DIMMING MODULE, IT OPERATES USING ANY SINGLE CHANNEL CONSTANT CURRENT (CC) LED DRIVER AND CAN BE USED WITH ANY STANDARD DIMMING INTERFACE/PROTOCOL (0-10V, ELV, DMX, WIRELESS) AND COULD WORK WITH EXISTING TWO-CHANNEL CONTROL SYSTEMS AS WELL.
- VISIT OCL.COM/BIOS FOR MORE INFORMATION

SPECIFICATIONS

CONSTRUCTION

- LED MOUNTING CHANNEL EXTRUDED ALUMINUM
- DIFFUSER IS EXTRUDED FROSTED ACRYLIC
- BODY TOP/BOTTOM CAPS ARE DIE-CAST ALUMINUM
- CANOPY IS SPUN ALUMINUM
- HARDWARE IS ZINC PLATED OR STAINLESS STEEL

MOUNTING

- MOUNTS TO 4X4" OCTAGON OR 4" ROUND J-BOX (BY OTHER)

ELECTRICAL

- DIMMING ELECTRONIC DRIVER(S), COMES STANDARD WITH 0-10V DOWN TO 1% [STATIC WHITE]
- OCL PROPRIETARY LED ARRAYS USE NICHIA 757 DIODES [BODY LIGHT] STATIC WHITE
- BRIDGELUX V13 GEN 7 COB [DOWNLIGHT]
- FOR INTEGRAL DRIVERS:** LUMINAIRE CONNECTS TO BUILDING SUPPLY (120V-277V 50/60HZ)
- FOR REMOTE DRIVERS:** LUMINAIRE WIRE LEADS ARE LOW-VOLTAGE. THE WIRES SHOULD BE CONNECTED TO OCL PROVIDED REMOTE DRIVER ENCLOSURE ONLY!

ACOUSTIC PANEL

- AFFIXED ACOUSTIC PANEL AIDS IN THE REDUCTION OF SOUND REFLECTIONS, REVERBERATION, AND ECHO
- ASTM E-84 CLASS A / CAN ULC S102 FLAME SPREAD: 0 | SMOKE DEVELOPMENT INDEX: 300
- 9MM 100% POLYESTER FIBER PANEL WITH A MINIMUM 50% POST-CONSUMER RECYCLED MATERIAL (PET)
- ACOUSTIC PERFORMANCE (ASTM C423) TEST REPORT AVAILABLE AT OCL.COM
- VARIATIONS IN FIBER MIX AND COLOR MAY OCCUR. ALL PRODUCTS WILL BE SUPPLIED WITHIN COMMERCIAL TOLERANCES
- CARE & CLEANING:** REMOVE DUST AND DEBRIS WITH A CLEAN, SOFT, LINT-FREE CLOTH OR VACUUM

LISTING

- ETL LISTED TO UL 1598 FOR DRY LOCATIONS

WARRANTY

- 5 YEAR; ALL ELECTRICAL COMPONENTS RETAIN THE MANUFACTURER'S WARRANTY

BUILD AMERICA, BUY AMERICA (BABA)

- THIS PRODUCT MEETS THE GUIDELINES FOR THE BUILD AMERICA, BUY AMERICA ACT. **SOME EXCLUSIONS APPLY.** FOR MORE INFORMATION AND A FULL LIST OF ELIGIBLE SKUS, VISIT OCL.COM/BABA

SUSTAINABILITY

- THIS PRODUCT MEETS THE MATERIAL RESTRICTIONS OF ARTICLE 4 OF THE **ROHS** DIRECTIVE (2011/65/EU), INCLUDING COMMISSION DELEGATED DIRECTIVE 2015/863
- BIOS** LIGHTING CONTRIBUTES TOWARD THE CIRCADIAN LIGHTING DESIGN FEATURE 54 UNDER THE **WELL BUILDING STANDARD™ V1** AND FEATURE L03 UNDER THE **WELL BUILDING STANDARD V2**

SAFETY REGULATIONS

- CAN BE USED FOR **TITLE 24 PART 6** AND **JA8-2016E** COMPLIANCE — CONTACT YOUR REP FOR HELP WITH YOUR PROJECT REQUIREMENTS AND LUMINAIRE SPECIFICATION

COMMON MODIFICATIONS

WE'RE BUILT FOR OUT-OF-THE-BOX THINKERS.

Nearly 50% of OCL fixtures we manufacture have some type of modification. Here is a list of common modifications we frequently produce. **Please contact the factory for modifications specific to your fixture or project**

Need some help? Simply send your questions to us at OCL-Quotes@ocl.com

- BIOS, TUNABLE WHITE, WARM-DIM, & RGBW LIGHT SOURCES
- SPECIFIC LUMEN OUTPUT
- MODIFIED CLUSTERS OR CONFIGURATIONS / MULTI-DROP CANOPIES
- VARIOUS SHAPES, ARCS, AND CURVES FOR LINEAR PROFILES AND RINGS
- CEILING OR SURFACE MOUNTING
- LARGE SCALE MODIFICATIONS
- RAL, PANTONE, BRAND-SPECIFIC, RETIRED OCL COLOR, OR CUSTOM FINISHES



- EMERGENCY BATTERY BACKUP OR INVERTER OPTIONS
- REMOTE DRIVERS / EXTENDED DISTANCE REMOTE DRIVERS
- DIMMING TO 0.1% (DIM TO DARK)
- NON-STANDARD SIZES OR LENGTHS
- NON-STANDARD CANOPY, BODY AND/OR CORD COLORS
- SEISMIC AND/OR ANTI-SWAY SYSTEMS
- RIGID STEMS
- MODIFIED OVERALL HEIGHTS (LONGER OR SHORTER OAH)
- UPLIGHT ADDITIONS
- LASER ETCHING, ENGRAVING, AND CUTOUTS

The drawings and specifications and ideas, designs and arrangements represented on these drawings are and shall remain the property of The Original Cast Lighting (OCL Architectural Lighting) and no part thereof shall be copied, disclosed, to others or used in conjunction with any work or project other than the specified project for which they have been prepared and developed, without written consent of OCL. Visual contact with these plans or specifications shall constitute conclusive evidence of acceptance of these restrictions. All specifications and information subject to change without notice.