

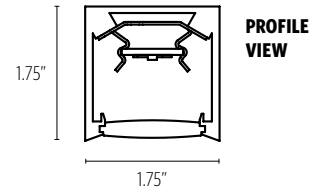


Petals™ Acoustic

PENDANT

FEATURES

- AVAILABLE WITH TUNABLE WHITE AND RGBW LIGHT SOURCES
- SOUND-MITIGATING 9MM ACOUSTIC PETALS
- 1.75" MINIMAL SQUARE PROFILE SIZE
- SILICONE DIFFUSER ELIMINATES LIGHT LEAKS AND VISIBLE SEAMS
- FIELD REPLACEABLE LED ARRAYS AND DRIVER(S) FOR SIMPLE MAINTENANCE
- FIXTURES CAN BE CLUSTERED TOGETHER TO CREATE LARGE SCALE INSTALLATIONS
- CUSTOM SIZES, SHAPES, AND CONFIGURATIONS ARE POSSIBLE



CATALOG CODES

PE1	B	C	MW	E	F	UNV	H	I	J
SERIES	HANGING SYSTEM	SIZE	DIFFUSER	FINISH	LIGHT SOURCE	VOLTAGE	OAH	CONTROL	ACOUSTIC COLOR / OPTIONS

SPECIFY CATALOG CODE				
A	B	C	D	E
SERIES	HANGING SYSTEM	SIZE	DIFFUSER	FINISH
<p>PE1 PETALS</p>	<p>PIDB PENDANT WITH ANGLED AIRCRAFT CABLES AND POWER CORD TO CANOPY WITH INTEGRAL DRIVER; MOUNTS TO 4X4 OCTAGON J-BOX (BY OTHERS); NOTE: STATIC WHITE ONLY</p>	24	MW MATTE WHITE	<p>POWDER COAT FINISHES</p> <p>BKP BLACK MWP MATTE WHITE</p> <p>BMP BRASS METALLIC SGP STEEL GRAY</p> <p>BNP BRONZE SMP SILVER METALLIC</p> <p>BTP BLACK TEXTURED SWP SKY WHITE</p> <p>GRP GRAPHITE WTP WHITE TEXTURED</p> <p>GLP GOLDTASTIC</p> <p>PREMIUM METAL FINISHES</p> <p>BAL BRUSHED ALUMINUM</p>
	<p>PIEU PENDANT WITH 4 ANGLED AIRCRAFT CABLES AND POWER CORD TO CANOPY; MOUNTS TO 4X4 OCTAGON J-BOX (BY OTHERS); REMOTE DRIVER ENCLOSURE</p>	36		
	<p>PIEM PENDANT WITH VERTICAL AIRCRAFT CABLES TO SEPARATE MOUNTING POINTS AND POWER CORD TO CANOPY; MOUNTS TO 4X4 OCTAGON J-BOX (BY OTHERS); REMOTE DRIVER ENCLOSURE</p>	48		
	<p>PIDA PENDANT WITH VERTICAL AIRCRAFT CABLES TO SEPARATE MOUNTING POINTS AND POWER CORD TO CANOPY WITH INTEGRAL DRIVER; MOUNTS TO 4X4 OCTAGON J-BOX (BY OTHERS)</p> <p>NOTE: STATIC WHITE ONLY</p>	60		
		72		

F		G		H	I	J	
LIGHT SOURCE		VOLTAGE		OAH*	CONTROL		OPTIONS
LED OUTPUT	COLOR TEMP	COLOR TEMP	UNV	48	DM1	<p>ACOUSTIC COLORS</p> <p>PBK PURE BLACK HZW HAZELWOOD CRT CARROT</p> <p>CHG CHARCOAL CFB CORNFLOWER BLUE DWT DEEPWATER</p> <p>SLT SLATE DNB DENIM BLUE PNA PINEAPPLE</p> <p>SDG SHADOW GRAY BRD BRICK RED LMS LIMESTONE</p> <p>PIC PEARL ICE MNB MIDNIGHT BLUE EMG EMERALD GREEN</p> <p>CWH CLASSIC WHITE DPP DEEP PURPLE BLS BLUSH</p> <p>SLG SILVER GRAY BRY BERRY SFM SEAFOAM</p> <p>NTL NATURAL LINEN CHR CHERRY RED</p>	
LED1	(80+ CRI)	(90+ CRI)	120-277	100	DM8	<p>MOD MODIFIED LUMINAIRE (CONTACT LOCAL REP) BIOS BIOS SKYBLUE™ OR BIOS SKYBLUE™ DYNAMIC LIGHT ENGINE**</p>	
LED2	27K	927K		144	DALI		
	30K	930K			DALI		
	35K	935K			DALI		
	40K	940K			DMX		
TWH1	TUNABLE WHITE				DMX		
	2700K - 6500K						
	CRI=90+						
	R9=50+						
RGBW	RGBW						

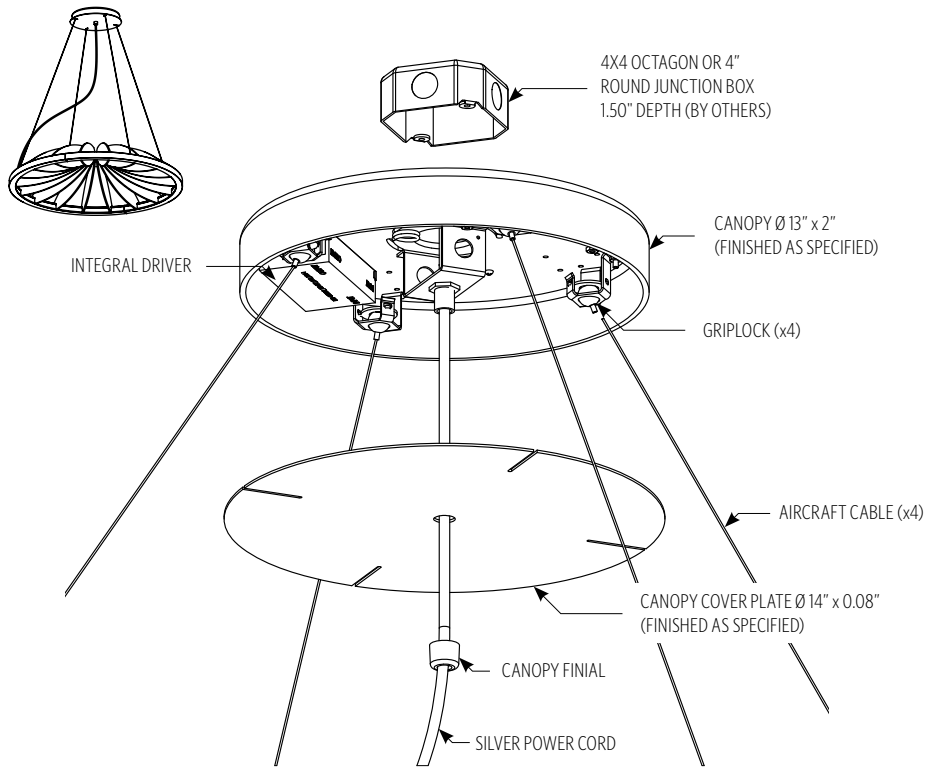
SAMPLE CODE: PE1-PIEM-36-MW-WTP-LED1-30K-UNV-100-DM1-PBK

*Ships with one of three OAH's (48", 100" or 144") and is field adjustable to the desired height
 Contact factory for **BIOS SkyBlue® or **BIOS SkyBlue® Dynamic** light engine and control options.
 Fixtures with PIEM hanging system, canopy will be MWP unless specified.
 Fixtures with PIDA, PIEU and PIDB hanging system, canopy will match finish choice.
 Power cord silver unless specified.

MODS, NOTES, & COMMENTS

HANGING SYSTEM

P1DB PENDANT WITH ANGLED AIRCRAFT CABLES AND POWER CORD TO CANOPY WITH INTEGRAL DRIVER; MOUNTS TO 4X4 OCTAGON J-BOX (BY OTHERS) **NOTE: STATIC WHITE ONLY**

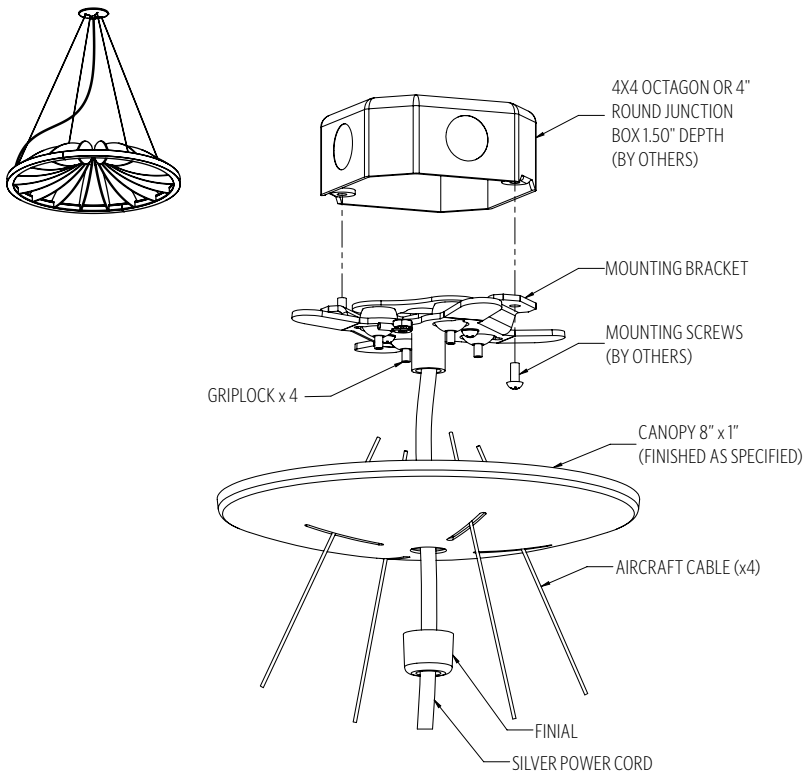


MOUNTING INFORMATION CHART

LUMINAIRE DIAMETER	LUMINAIRE WEIGHT	MOUNTING POINTS	MIN/MAX OAH
24"	12 LBS	1	9"/144"
36"	16 LBS	1	15"/144"
48"	22 LBS	1	22"/144"
60"	27 LBS	1	26"/144"
72"	35 LBS	1	32"/144"

* P1DB ships with one of three OAH's (48", 100" or 144") and is field adjustable to the desired height. For OAH over 144", contact your local rep

P1EU PENDANT WITH 4 ANGLED AIRCRAFT CABLES AND POWER CORD TO CANOPY; MOUNTS TO 4X4 OCTAGON J-BOX (BY OTHERS); REMOTE DRIVER ENCLOSURE



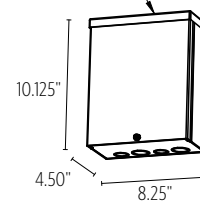
MOUNTING INFORMATION CHART

LUMINAIRE DIAMETER	LUMINAIRE WEIGHT	MOUNTING POINTS	MIN/MAX OAH
24"	12 LBS	1	10"/144"
36"	16 LBS	1	12"/144"
48"	22 LBS	1	19"/144"
60"	27 LBS	1	38"/144"
72"	35 LBS	1	46"/144"

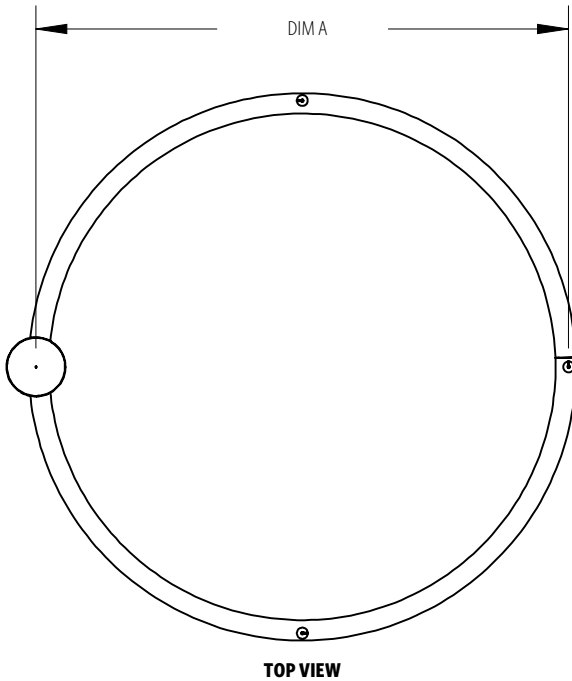
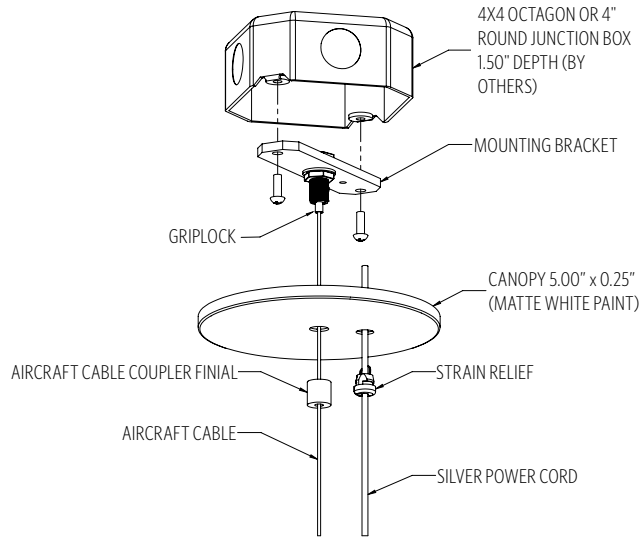
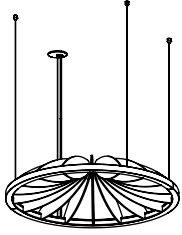
* P1EU ships with one of three OAH's (48", 100" or 144") and is field adjustable to the desired height. For OAH over 144", contact your local rep

P1EU will include ETL listed enclosure for remote mounting drivers. Max 30' distance from luminaire for **DM1, DM8, DALI** and **DMX**. Enclosure must remain accessible after installation. For **RGBW** remote box distance, contact factory

REMOTE DRIVER HOUSING ENCLOSURE (PROVIDED BY OCL)



PIEM PENDANT WITH VERTICAL AIRCRAFT CABLES TO SEPARATE MOUNTING POINTS AND POWER CORD TO CANOPY; MOUNTS TO 4X4 OCTAGON J-BOX (BY OTHERS); REMOTE DRIVER ENCLOSURE



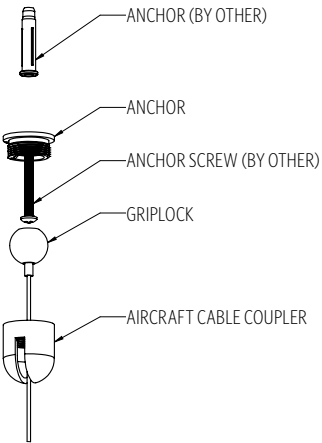
MOUNTING INFORMATION CHART

LUMINAIRE DIAMETER	LUMINAIRE WEIGHT	MOUNTING DISTANCE DIM A	MOUNTING POINTS	MIN/MAX OAH
24"	12 LBS	22.50	4	9"/144"
36"	16 LBS	34.50	4	11"/144"
48"	22 LBS	46	4	14"/144"
60"	27 LBS	57.50	4	16"/144"
72"	35 LBS	70.25	4	18"/144"

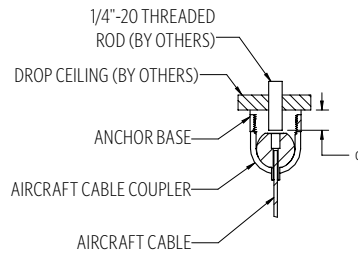
RGBW MOUNTING INFORMATION CHART

LUMINAIRE DIAMETER	LUMINAIRE WEIGHT	MOUNTING DISTANCE DIM A	MOUNTING POINTS	MIN/MAX OAH
24"	12 LBS	22.75	4	9"/144"
36"	16 LBS	32.75	4	11"/144"
48"	22 LBS	45.375	4	14"/144"
60"	27 LBS	55.375	4	16"/144"
72"	35 LBS	70.375	4	18"/144"

* PIEM ships with one of three OAH's (48", 100" or 144") and is field adjustable to the desired height. For OAH over 144", contact your local rep. PIEM will include ETL listed enclosure for remote mounting drivers. Max 30' distance from luminaire for **DM1, DM8, DALI** and **DMX**. Enclosure must remain accessible after installation. For **RGBW** remote box distance, contact factory.

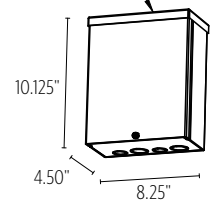


HARD CEILING

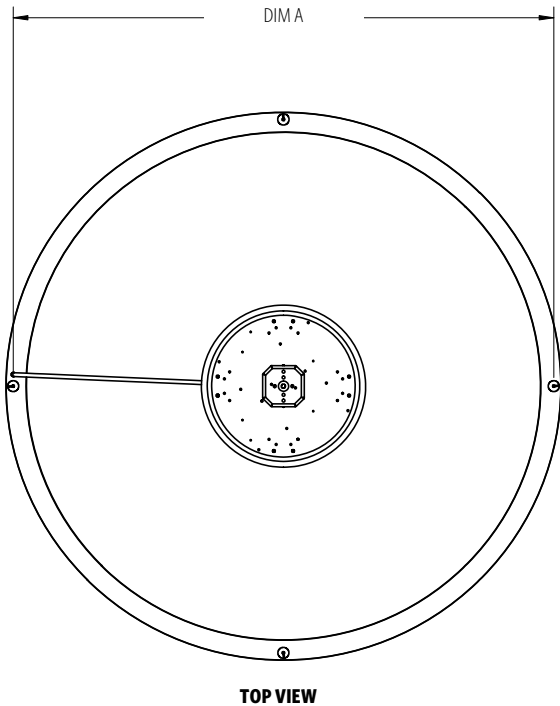
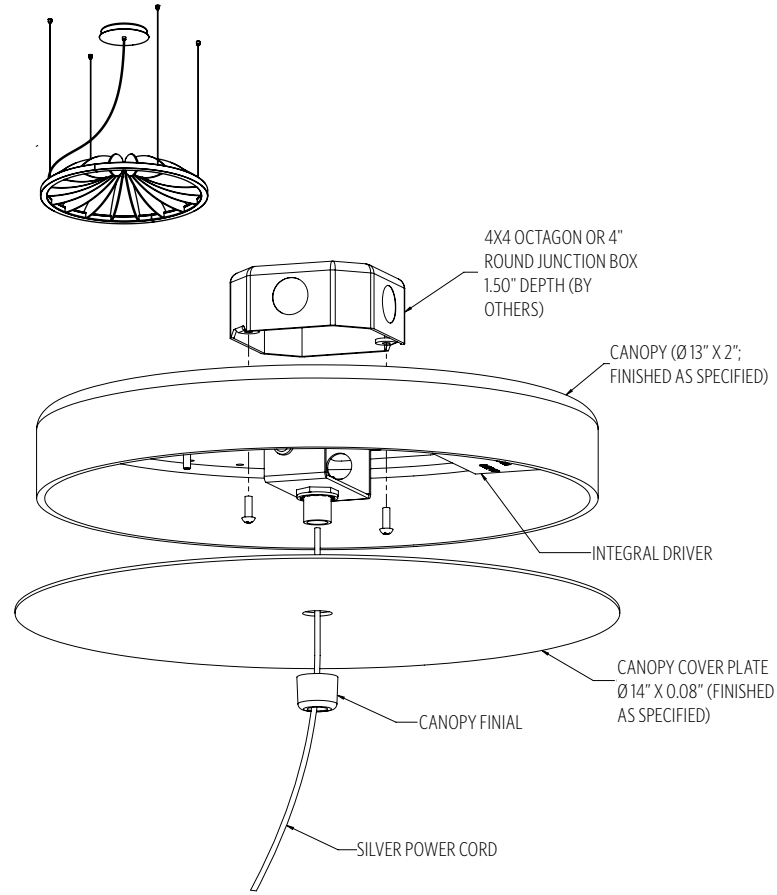


DROP CEILING

REMOTE DRIVER HOUSING ENCLOSURE (PROVIDED BY OCL)



PIDA PENDANT WITH VERTICAL AIRCRAFT CABLES TO SEPARATE MOUNTING POINTS AND POWER CORD TO CANOPY WITH INTEGRAL DRIVER; MOUNTS TO 4X4 OCTAGON J-BOX (BY OTHERS) **NOTE: STATIC WHITE ONLY**



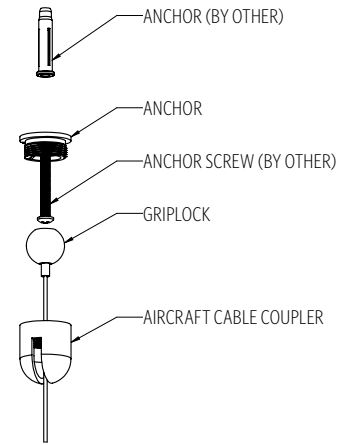
MOUNTING INFORMATION CHART

LUMINAIRE DIAMETER	LUMINAIRE WEIGHT	MOUNTING DISTANCE DIM A	MOUNTING POINTS	MIN/MAX OAH
24"	12 LBS	22.50	5	9"/144"
36"	16 LBS	34.50	5	11"/144"
48"	22 LBS	46	5	14"/144"
60"	27 LBS	57.50	5	16"/144"
72"	35 LBS	70.25	5	18"/144"

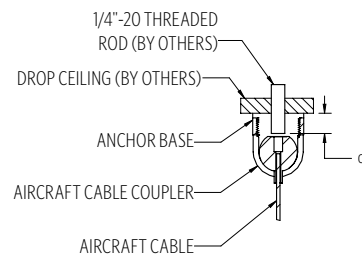
RGBW MOUNTING INFORMATION CHART

LUMINAIRE DIAMETER	LUMINAIRE WEIGHT	MOUNTING DISTANCE DIM A	MOUNTING POINTS	MIN/MAX OAH
24"	12 LBS	22.75	5	9"/144"
36"	16 LBS	32.75	5	11"/144"
48"	22 LBS	45.375	5	14"/144"
60"	27 LBS	55.375	5	16"/144"
72"	35 LBS	70.375	5	18"/144"

* PIDA ships with one of three OAH's (48", 100" or 144") and is field adjustable to the desired height. For OAH over 144", contact your local rep. PIDA will include ETL listed enclosure for remote mounting drivers. Max 30' distance from luminaire for **DM1**. Enclosure must remain accessible after installation.

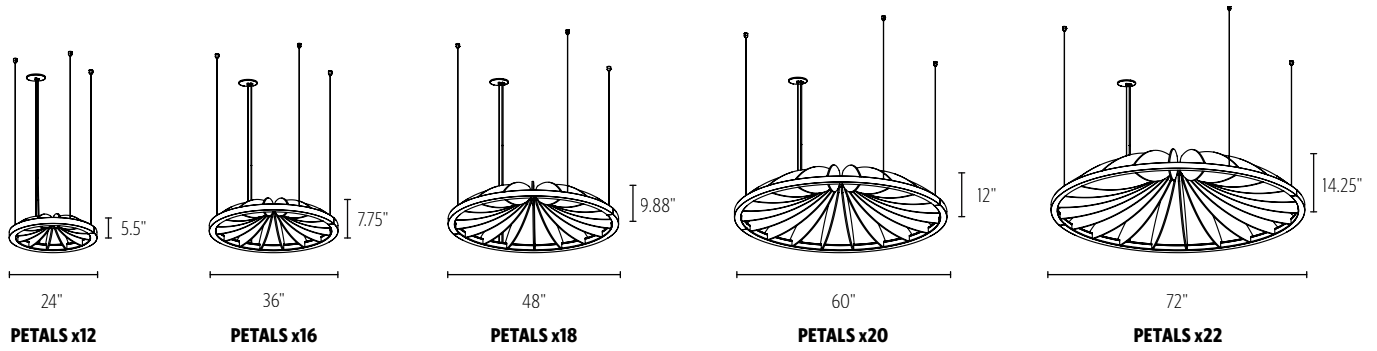


HARD CEILING



DROP CEILING

SIZES



DIFFUSER



MW MATTE WHITE

FINISH

METALLIC POWDER COAT FINISHES:



SMP
SILVER



GRP
GRAPHITE



SGP
STEEL GRAY



GLP
GOLDTASTIC



BMP
BRASS



BNP
BRONZE

PREMIUM METAL FINISHES:



BAL
BRUSHED
ALUMINUM

SOLID POWDER COAT FINISHES:



SWP
SKY WHITE



MWP
MATTE
WHITE



BKP
BLACK

TEXTURED POWDER COAT FINISHES:



BTP
BLACK
TEXTURED



WTP
WHITE
TEXTURED

RAL , Pantone® or custom finishes are also available.

These colors are for reference only. Please be aware that colors may vary per monitor. Contact your local rep for finish samples or with any questions.

ACOUSTIC

ACOUSTIC COLORS:



PBK
PURE BLACK



CHG
CHARCOAL



SLT
SLATE



SDG
SHADOW
GRAY



PIC
PEARL ICE



CWH
CLASSIC
WHITE



SLG
SILVER
GRAY



BRY
BERRY



CHR
CHERRY
RED



NTL
NATURAL
LINEN



HZW
HAZELWOOD



CFB
CORNFLOWER
BLUE



DNB
DENIM BLUE



BRD
BRICK RED



MNB
MIDNIGHT
BLUE



DPP
DEEP
PURPLE



EMG
EMERALD
GREEN



CRT
CARROT



DWT
DEEPWATER



PNA
PINEAPPLE



LMS
LIMESTONE



BLS
BLUSH



SFM
SEAFOAM

These colors are for reference only. Please be aware that colors may vary per monitor. Contact your local rep with any questions.

Request a swatch sample at ocl.com/finishes

LIGHT SOURCE

		PE1				
		24"	36"	48"	60"	72"
LED1	LUMENS DELIVERED	1030	1480	1960	2780	3570
	SYSTEM WATTAGE	21	32	42	53	64
LED2	LUMENS DELIVERED	1720	2460	3000	4670	5970
	SYSTEM WATTAGE	35	50	60	80	95
TWH1	LUMENS DELIVERED	-	-	-	-	-
	SYSTEM WATTAGE	19	28	38	47	57
RGBW	LUMENS DELIVERED	-	-	-	-	-
	SYSTEM WATTAGE	36	51	71	87	110

This chart was created for a 35K color temp using **CHW** acoustic option. Multiply by 0.95 for 27k color temp, 0.97 for 30k color temp, and 1.03 for 40k color temp. Wattage and lumen data for **TWH1** and **RGBW** approx. pending LM-79 testing. **NOTE:** Light reflectance and lumen output may vary by color.

Values shown for 80+ CRI. For 90+ CRI lumens use 0.85 multiplier.

PHOTOMETRY:

LUMINAIRE: PE1-P1XX-48-MW-PTD-LED2_35K-UNV-48-CWH
 COLOR TEMP #: 3500K
 TEST REPORT: TEST NO. 104600698CHI-003

For all available IES files, please visit our website at ocl.com.

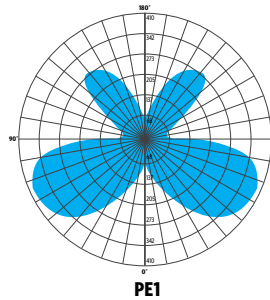
IESNA LM-79, ANSI NEMA ANSLG C78.377: 2017, and TM 30-18 testing reports available upon request.

STANDARD COLOR TEMPERATURE OPTIONS	CRI (RA)	
2700K	80+	90+
3000K	80+	90+
3500K	80+	90+
4000K	80+	90+
TWH1	90+	
RGBW	N/A	

For 80+ CRI - 80 RA, R9 > 0 (10-15 TYP.); For 90+ CRI - 90 RA, R9 > 50

% OF LUMINAIRE	
ZONE	PE1
0-30	6%
0-60	33%
0-90	68%
90-180	33%
0-180	100%

This chart created using 48" size. Refer to IES files for accurate zonal lumens by size.



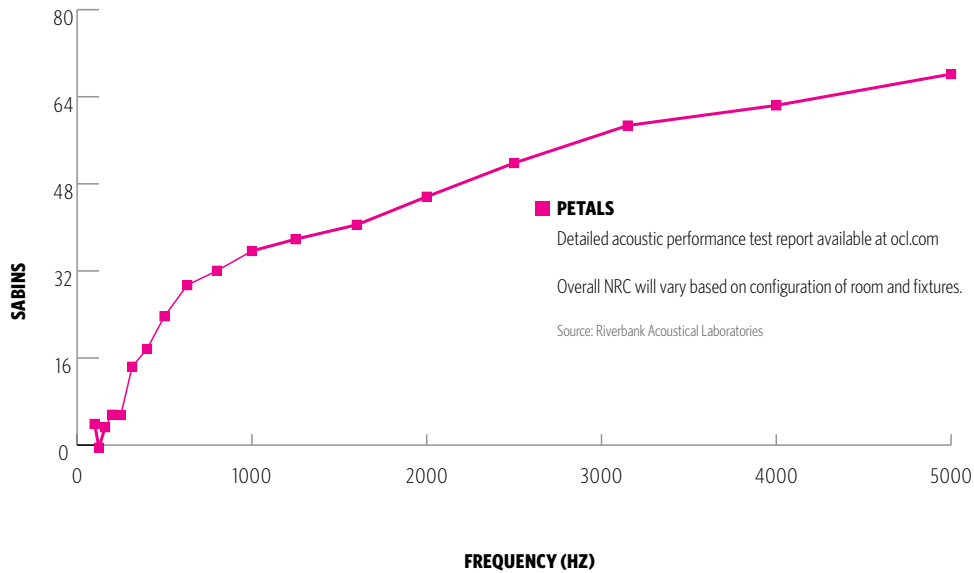
LUMEN MAINTENANCE

REPORTED: L70 AT >60,000 HRS
 CALCULATED: L70 AT 136,000 HRS
 REPORTED: L90 AT 41,000 HRS
 CALCULATED: L90 AT 41,000 HRS

Derived from EPA TM-21 calculator. Based on typical conditions. Consult the factory for additional details.

ACOUSTICAL TESTING

PETALS ACOUSTIC PERFORMANCE (4 UNITS):



CONTROL

DM1 0-10V DIMMING 1%

- 0-10V DIMMING PROTOCOL
- 1% MINIMUM DIM LEVEL
- ELECTRONIC DRIVER
- POWER FACTOR >0.9
- THD <20%
- MINIMUM AMBIENT OPERATING TEMPERATURE -31°F
- LINEAR DIMMING CURVE
- FIELD REPLACEABLE

DALI DALI CONTROL SYSTEM, DIMMABLE 0.1%

- DALI-2 DEVICE TYPE 6 CONTROL PROTOCOL
- 0.1% MINIMUM DIM LEVEL
- ELECTRONIC DRIVER
- POWER FACTOR >0.9
- THD <20%
- MINIMUM AMBIENT OPERATING TEMPERATURE -4°F
- LOGARITHMIC DIMMING CURVE [DEFAULT]
- FIELD REPLACEABLE

DMX DMX CONTROL DIMMABLE TO 0.1%

- DMX/RDM DIMMING PROTOCOL
- 0.1% MINIMUM DIM LEVEL
- ELECTRONIC DRIVER
- POWER FACTOR >0.9
- THD <20%
- MINIMUM AMBIENT OPERATING TEMPERATURE -4°F
- LOGARITHMIC DIMMING CURVE [DEFAULT]
- FIELD REPLACEABLE

DM8 DUAL 0-10V DIMMING 0.1%

- 0-10V DIMMING PROTOCOL
- 0.1% MINIMUM DIM LEVEL
- ELECTRONIC DRIVER
- POWER FACTOR >0.9
- THD <20%
- MINIMUM AMBIENT OPERATING TEMPERATURE -4°F
- LOGARITHMIC DIMMING CURVE [DEFAULT]
- FIELD REPLACEABLE

OPTIONS

MOD MODIFIED LUMINAIRE

- LUMINAIRE IS MODIFIED FROM STANDARD OPTIONS; CONTACT LOCAL REP FOR MORE INFORMATION

BIOS

- BIOS SKYBLUE™ DYNAMIC** LIGHT ENGINE IS DIMMABLE AND FEATURES A SIMPLE APPROACH TO CIRCADIAN LIGHTING CONTROLS.
- WHEN PAIRED WITH THE BIOS BIO-DIMMING MODULE, IT OPERATES USING ANY SINGLE CHANNEL CONSTANT CURRENT (CC) LED DRIVER AND CAN BE USED WITH ANY STANDARD DIMMING INTERFACE/PROTOCOL (0-10V, ELV, DMX, WIRELESS) AND COULD WORK WITH EXISTING TWO-CHANNEL CONTROL SYSTEMS AS WELL.
- VISIT OCL.COM/BIOS FOR MORE INFORMATION

ACOUSTIC PETALS

- AFFIXED ACOUSTIC PETALS AID IN THE REDUCTION OF SOUND REFLECTIONS, REVERBERATION, AND ECHO
- ASTM E-84 CLASS A / CAN ULC S102 FLAME SPREAD: 0 | SMOKE DEVELOPMENT INDEX: 300
- 9MM 100% POLYESTER FIBER PANEL WITH A MINIMUM 50% POST-CONSUMER RECYCLED MATERIAL (PET)
- ACOUSTIC PERFORMANCE (ASTM C423) TEST REPORT AVAILABLE AT OCL.COM
- VARIATIONS IN FIBER MIX AND COLOR MAY OCCUR. ALL PRODUCTS WILL BE SUPPLIED WITHIN COMMERCIAL TOLERANCES
- CARE & CLEANING:** REMOVE DUST AND DEBRIS WITH A CLEAN, SOFT, LINT-FREE CLOTH OR DUSTER



SPECIFICATIONS

CONSTRUCTION

- HOUSING IS EXTRUDED AND WELDED ALUMINUM
- HOUSING SEAMS ARE FULLY WELDED AND GROUND SMOOTH
- DIFFUSER IS EXTRUDED SILICONE
- CANOPY IS FORMED ALUMINUM
- HARDWARE IS ZINC PLATED OR STAINLESS STEEL

MOUNTING

- PIEM, PIDA, PIEU** AND **PIDB** ALL MOUNT TO 4X4" OCTAGON OR 4" ROUND J-BOX (BY OTHER)

ELECTRICAL

- DIMMING ELECTRONIC DRIVER(S), COMES STANDARD WITH 0-10V DOWN TO 1% [STATIC WHITE]
- OCL PROPRIETARY LED ARRAYS USE NICHIA 757 DIODES (STATIC WHITE)
- FOR INTEGRAL DRIVERS:** LUMINAIRE CONNECTS TO BUILDING SUPPLY (120V-277V 50/60HZ)
- FOR REMOTE DRIVERS:** LUMINAIRE WIRE LEADS ARE LOW-VOLTAGE. THE WIRES SHOULD BE CONNECTED TO OCL PROVIDED REMOTE DRIVER ENCLOSURE ONLY!

LISTING

- ETL LISTED TO UL 1598/2108 FOR DRY LOCATIONS, DAMP LOCATION LISTED IS OPTION

WARRANTY

- 5 YEAR; ALL ELECTRICAL COMPONENTS RETAIN THE MANUFACTURER'S WARRANTY

BUILD AMERICA, BUY AMERICA (BABA)

- THIS PRODUCT MEETS THE GUIDELINES FOR THE BUILD AMERICA, BUY AMERICA ACT. **SOME EXCLUSIONS APPLY.** FOR MORE INFORMATION AND A FULL LIST OF ELIGIBLE SKUS, VISIT OCL.COM/BABA

SUSTAINABILITY

- THIS PRODUCT MEETS THE MATERIAL RESTRICTIONS OF ARTICLE 4 OF THE **ROHS** DIRECTIVE (2011/65/EU), INCLUDING COMMISSION DELEGATED DIRECTIVE 2015/863
- BIOS** LIGHTING CONTRIBUTES TOWARD THE CIRCADIAN LIGHTING DESIGN FEATURE 54 UNDER THE **WELL BUILDING STANDARD™ V1** AND FEATURE L03 UNDER THE **WELL BUILDING STANDARD V2**

COMMON MODIFICATIONS

WE'RE BUILT FOR OUT-OF-THE-BOX THINKERS.

Nearly 50% of OCL fixtures we manufacture have some type of modification. Here is a list of common modifications we frequently produce. **Please contact the factory for modifications specific to your fixture or project.**

Need some help? Simply send your questions to us at OCL-Quotes@ocl.com

- BIOS, TUNABLE WHITE, WARM-DIM, & RGBW LIGHT SOURCES
- SPECIFIC LUMEN OUTPUT
- MODIFIED CLUSTERS OR CONFIGURATIONS / MULTI-DROP CANOPIES
- VARIOUS SHAPES, ARCS, AND CURVES FOR LINEAR PROFILES AND RINGS
- CEILING OR SURFACE MOUNTING
- LARGE SCALE MODIFICATIONS
- RAL, PANTONE, BRAND-SPECIFIC, RETIRED OCL COLOR, OR CUSTOM FINISHES



- EMERGENCY BATTERY BACKUP OR INVERTER OPTIONS
- REMOTE DRIVERS / EXTENDED DISTANCE REMOTE DRIVERS
- DIMMING TO 0.1% (DIM TO DARK)
- NON-STANDARD SIZES OR LENGTHS
- NON-STANDARD CANOPY, BODY AND/OR CORD COLORS
- SEISMIC AND/OR ANTI-SWAY SYSTEMS
- RIGID STEMS
- MODIFIED OVERALL HEIGHTS (LONGER OR SHORTER OAH)
- UPLIGHT ADDITIONS
- LASER ETCHING, ENGRAVING, AND CUTOUTS

The drawings and specifications and ideas, designs and arrangements represented on these drawings are and shall remain the property of The Original Cast Lighting (OCL Architectural Lighting) and no part thereof shall be copied, disclosed, to others or used in conjunction with any work or project other than the specified project for which they have been prepared and developed, without written consent of OCL. Visual contact with these plans or specifications shall constitute conclusive evidence of acceptance of these restrictions. All specifications and information subject to change without notice.