

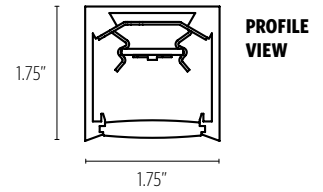


# Petals™ Acoustic

PENDANT

**FEATURES**

- AVAILABLE WITH TUNABLE WHITE AND RGBW LIGHT SOURCES
- SOUND-MITIGATING 9MM ACOUSTIC PETALS
- 1.75" MINIMAL SQUARE PROFILE SIZE
- SILICONE DIFFUSER ELIMINATES LIGHT LEAKS AND VISIBLE SEAMS
- FIELD REPLACEABLE LED ARRAYS AND DRIVER(S) FOR SIMPLE MAINTENANCE
- FIXTURES CAN BE CLUSTERED TOGETHER TO CREATE LARGE SCALE INSTALLATIONS
- CUSTOM SIZES, SHAPES, AND CONFIGURATIONS ARE POSSIBLE



**CATALOG CODES**

<b>PE1</b>	<b>B</b>	<b>C</b>	<b>MW</b>	<b>E</b>	<b>F</b>	<b>UNV</b>	<b>H</b>	<b>I</b>	<b>J</b>
SERIES	HANGING SYSTEM	SIZE	DIFFUSER	FINISH	LIGHT SOURCE	VOLTAGE	OAH	CONTROL	ACOUSTIC COLOR / OPTIONS

SPECIFY CATALOG CODE				
A	B	C	D	E
SERIES	HANGING SYSTEM	SIZE	DIFFUSER	FINISH
<p>PE1 PETALS</p>	<p><b>PIDB</b> PENDANT WITH ANGLED AIRCRAFT CABLES AND POWER CORD TO CANOPY WITH INTEGRAL DRIVER; MOUNTS TO 4X4 OCTAGON J-BOX (BY OTHERS); <b>NOTE: STATIC WHITE ONLY</b></p>	<b>24</b>	<b>MW</b> MATTE WHITE	<p><b>POWDER COAT FINISHES</b></p> <p><b>BKP</b> BLACK                      <b>MWP</b> MATTE WHITE</p> <p><b>BMP</b> BRASS METALLIC        <b>SGP</b> STEEL GRAY</p> <p><b>BNP</b> BRONZE                    <b>SMP</b> SILVER METALLIC</p> <p><b>BTP</b> BLACK TEXTURED        <b>SWP</b> SKY WHITE</p> <p><b>GRP</b> GRAPHITE                <b>WTP</b> WHITE TEXTURED</p> <p><b>GLP</b> GOLDTASTIC</p> <p><b>PREMIUM METAL FINISHES</b></p> <p><b>BAL</b> BRUSHED ALUMINUM</p>
	<p><b>PIEU</b> PENDANT WITH 4 ANGLED AIRCRAFT CABLES AND POWER CORD TO CANOPY; MOUNTS TO 4X4 OCTAGON J-BOX (BY OTHERS); REMOTE DRIVER ENCLOSURE</p>	<b>36</b>		
	<p><b>PIEM</b> PENDANT WITH VERTICAL AIRCRAFT CABLES TO SEPARATE MOUNTING POINTS AND POWER CORD TO CANOPY; MOUNTS TO 4X4 OCTAGON J-BOX (BY OTHERS); REMOTE DRIVER ENCLOSURE</p>	<b>48</b>		
	<p><b>PIDA</b> PENDANT WITH VERTICAL AIRCRAFT CABLES TO SEPARATE MOUNTING POINTS AND POWER CORD TO CANOPY WITH INTEGRAL DRIVER; MOUNTS TO 4X4 OCTAGON J-BOX (BY OTHERS)</p> <p><b>NOTE: STATIC WHITE ONLY</b></p>	<b>60</b>		
		<b>72</b>		

F		G		H	I	J	
LIGHT SOURCE		VOLTAGE		OAH*	CONTROL		OPTIONS
<b>LED OUTPUT</b>	<b>COLOR TEMP</b>	<b>COLOR TEMP</b>	<b>UNV</b>	<b>48</b>	<b>DM1</b>	<p><b>ACOUSTIC COLORS</b></p> <p><b>PBK</b> PURE BLACK                      <b>HZW</b> HAZELWOOD                      <b>CRT</b> CARROT</p> <p><b>CHG</b> CHARCOAL                      <b>CFB</b> CORNFLOWER BLUE              <b>DWT</b> DEEPWATER</p> <p><b>SLT</b> SLATE                              <b>DNB</b> DENIM BLUE                      <b>PNA</b> PINEAPPLE</p> <p><b>SDG</b> SHADOW GRAY                <b>BRD</b> BRICK RED                      <b>LMS</b> LIMESTONE</p> <p><b>PIC</b> PEARL ICE                        <b>MNB</b> MIDNIGHT BLUE                <b>EMG</b> EMERALD GREEN</p> <p><b>CWH</b> CLASSIC WHITE                <b>DPP</b> DEEP PURPLE                    <b>CNM</b> CINNAMON</p> <p><b>SLG</b> SILVER GRAY                    <b>BRY</b> BERRY                              <b>BLS</b> BLUSH</p> <p><b>NTL</b> NATURAL LINEN                <b>CHR</b> CHERRY RED                      <b>SFM</b> SEAFOAM</p>	
<b>LED1</b>	(80+ CRI)	(90+ CRI)	120-277	<b>100</b>		<b>MOD</b>	<p><b>BIOS</b> BIOS SKYBLUE™ OR BIOS SKYBLUE™ DYNAMIC LIGHT ENGINE**</p>
<b>LED2</b>	<b>27K</b>	<b>927K</b>		<b>144</b>	<b>DM8</b>		
	<b>30K</b>	<b>930K</b>			<b>DALI</b>		
<b>TWH1</b>	TUNABLE WHITE						
	2700K - 6500K						
	CRI=90+						
	R9=50+						
<b>RGBW</b>	RGBW				<b>DMX</b>		

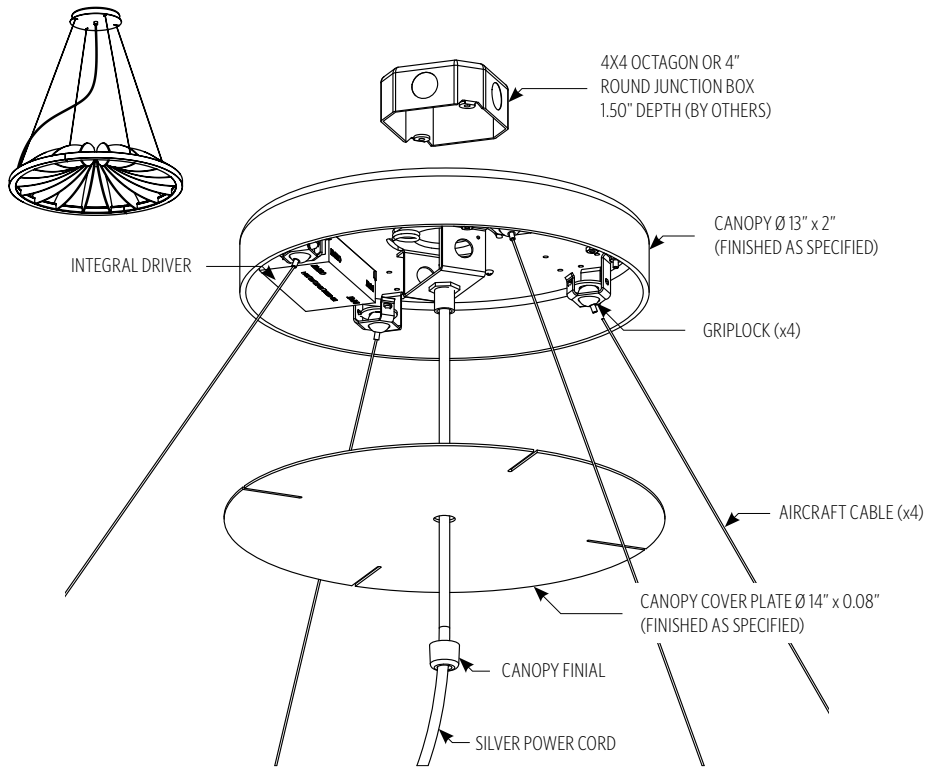
**SAMPLE CODE: PE1-PIEM-36-MW-WTP-LED1/30K-UNV-100-DM1-PBK**

\*Ships with one of three OAH's (48", 100" or 144") and is field adjustable to the desired height  
 \*\*Contact factory for **BIOS SkyBlue®** or **BIOS SkyBlue® Dynamic** light engine and control options.  
 Fixtures with PIEM hanging system, canopy will be MWP unless specified.  
 Fixtures with PIDA, PIEU and PIDB hanging system, canopy will match finish choice.  
 Power cord silver unless specified.

**MODS, NOTES, & COMMENTS**

## HANGING SYSTEM

**P1DB** PENDANT WITH ANGLED AIRCRAFT CABLES AND POWER CORD TO CANOPY WITH INTEGRAL DRIVER; MOUNTS TO 4X4 OCTAGON J-BOX (BY OTHERS) **NOTE: STATIC WHITE ONLY**

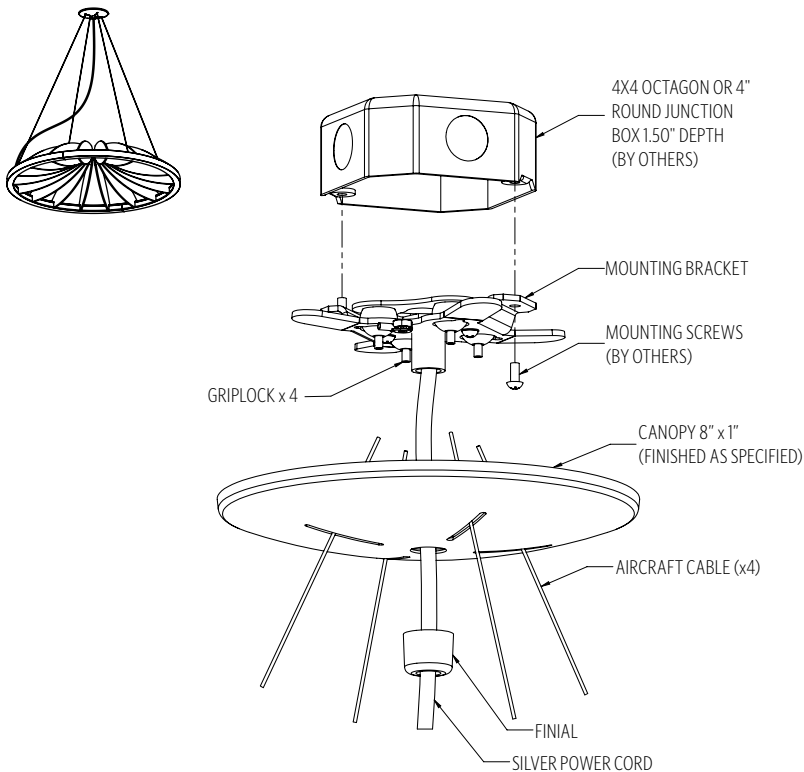


### MOUNTING INFORMATION CHART

LUMINAIRE DIAMETER	LUMINAIRE WEIGHT	MOUNTING POINTS	MIN/MAX OAH
24"	12 LBS	1	9"/144"
36"	16 LBS	1	15"/144"
48"	22 LBS	1	22"/144"
60"	27 LBS	1	26"/144"
72"	35 LBS	1	32"/144"

\* P1DB ships with one of three OAH's (48", 100" or 144") and is field adjustable to the desired height. For OAH over 144", contact your local rep

**P1EU** PENDANT WITH 4 ANGLED AIRCRAFT CABLES AND POWER CORD TO CANOPY; MOUNTS TO 4X4 OCTAGON J-BOX (BY OTHERS); REMOTE DRIVER ENCLOSURE



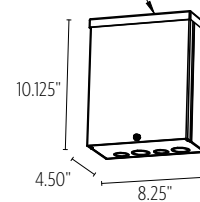
### MOUNTING INFORMATION CHART

LUMINAIRE DIAMETER	LUMINAIRE WEIGHT	MOUNTING POINTS	MIN/MAX OAH
24"	12 LBS	1	10"/144"
36"	16 LBS	1	12"/144"
48"	22 LBS	1	19"/144"
60"	27 LBS	1	38"/144"
72"	35 LBS	1	46"/144"

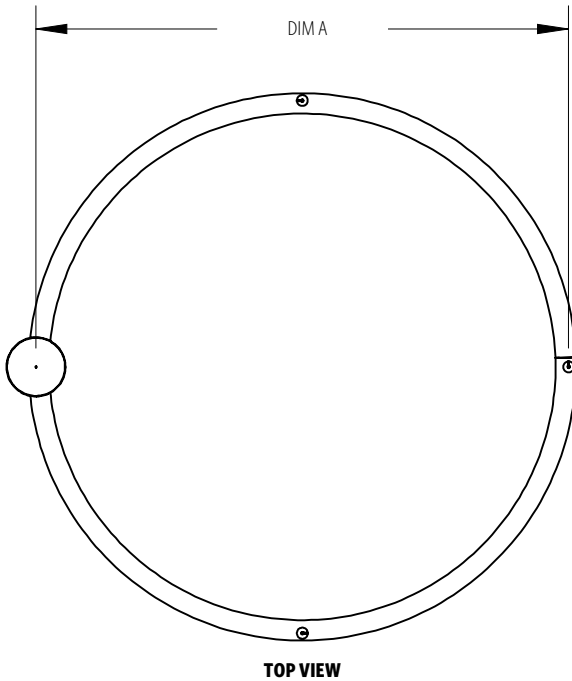
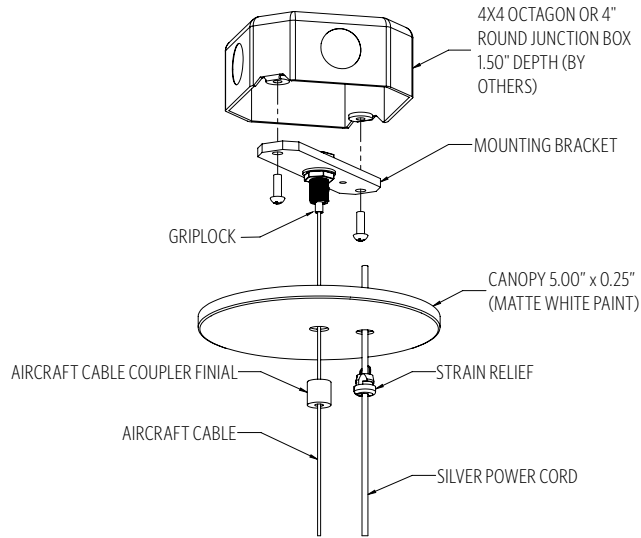
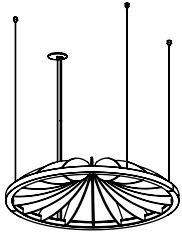
\* P1EU ships with one of three OAH's (48", 100" or 144") and is field adjustable to the desired height. For OAH over 144", contact your local rep

P1EU will include ETL listed enclosure for remote mounting drivers. Max 30' distance from luminaire for **DM1, DM8, DALI** and **DMX**. Enclosure must remain accessible after installation. For **RGBW** remote box distance, contact factory

REMOTE DRIVER HOUSING ENCLOSURE (PROVIDED BY OCL)



**PIEM** PENDANT WITH VERTICAL AIRCRAFT CABLES TO SEPARATE MOUNTING POINTS AND POWER CORD TO CANOPY; MOUNTS TO 4X4 OCTAGON J-BOX (BY OTHERS); REMOTE DRIVER ENCLOSURE



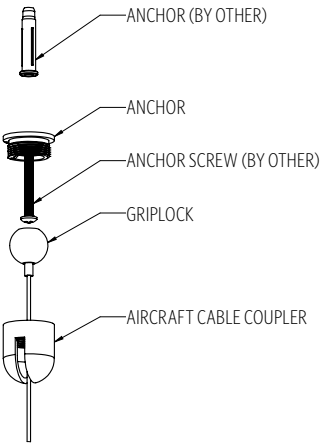
**MOUNTING INFORMATION CHART**

LUMINAIRE DIAMETER	LUMINAIRE WEIGHT	MOUNTING DISTANCE DIM A	MOUNTING POINTS	MIN/MAX OAH
24"	12 LBS	22.50	4	9"/144"
36"	16 LBS	34.50	4	11"/144"
48"	22 LBS	46	4	14"/144"
60"	27 LBS	57.50	4	16"/144"
72"	35 LBS	70.25	4	18"/144"

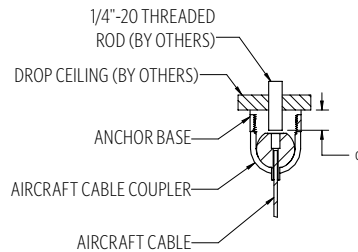
**RGBW MOUNTING INFORMATION CHART**

LUMINAIRE DIAMETER	LUMINAIRE WEIGHT	MOUNTING DISTANCE DIM A	MOUNTING POINTS	MIN/MAX OAH
24"	12 LBS	22.75	4	9"/144"
36"	16 LBS	32.75	4	11"/144"
48"	22 LBS	45.375	4	14"/144"
60"	27 LBS	55.375	4	16"/144"
72"	35 LBS	70.375	4	18"/144"

\* PIEM ships with one of three OAH's (48", 100" or 144") and is field adjustable to the desired height. For OAH over 144", contact your local rep. PIEM will include ETL listed enclosure for remote mounting drivers. Max 30' distance from luminaire for **DM1, DM8, DALI** and **DMX**. Enclosure must remain accessible after installation. For **RGBW** remote box distance, contact factory.

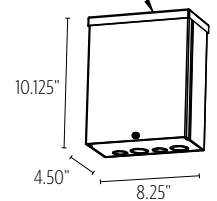


**HARD CEILING**

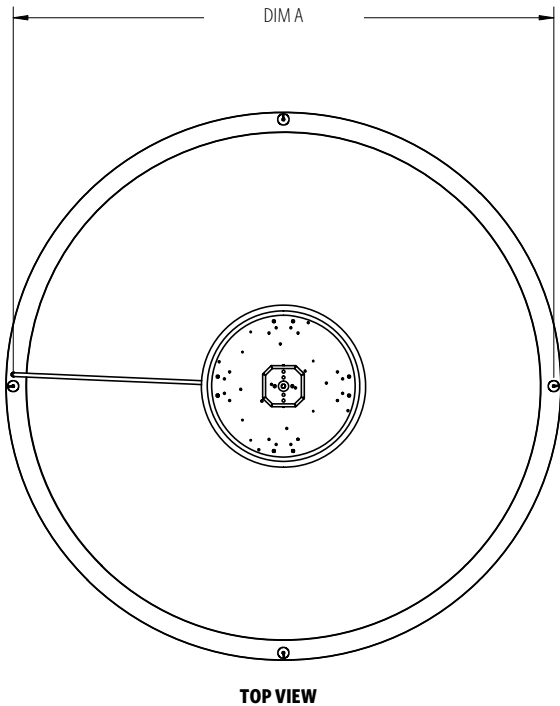
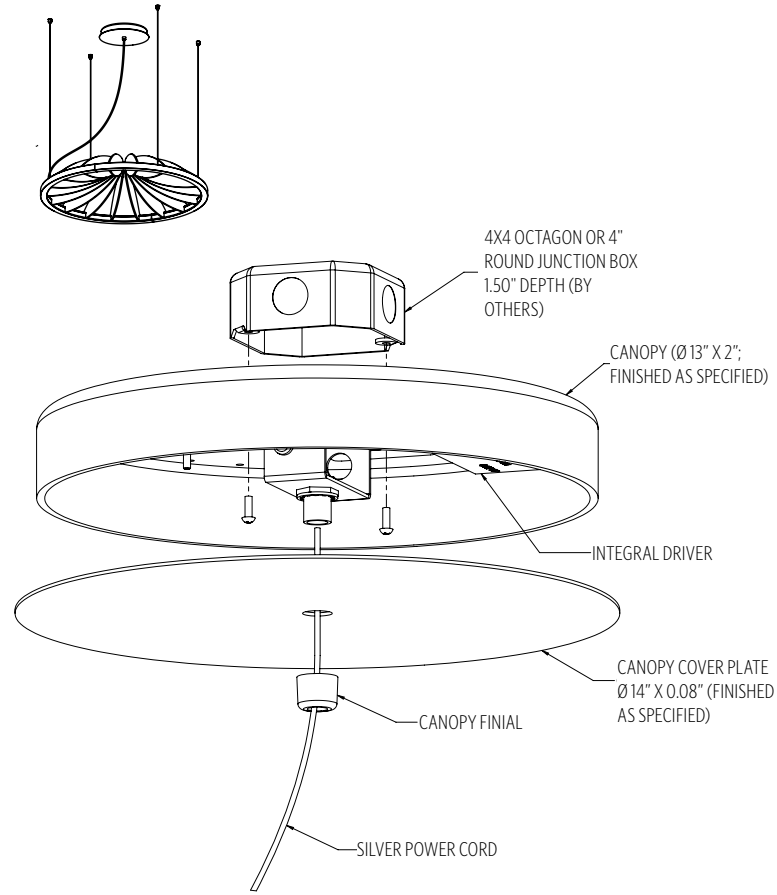


**DROP CEILING**

REMOTE DRIVER HOUSING ENCLOSURE (PROVIDED BY OCL)



**PIDA** PENDANT WITH VERTICAL AIRCRAFT CABLES TO SEPARATE MOUNTING POINTS AND POWER CORD TO CANOPY WITH INTEGRAL DRIVER; MOUNTS TO 4X4 OCTAGON J-BOX (BY OTHERS) **NOTE: STATIC WHITE ONLY**



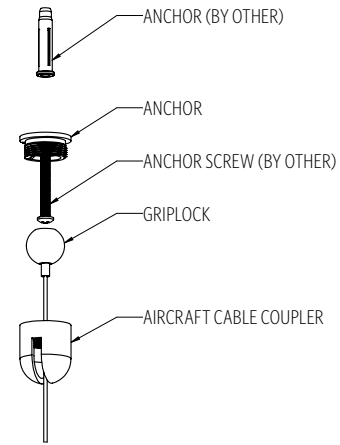
**MOUNTING INFORMATION CHART**

LUMINAIRE DIAMETER	LUMINAIRE WEIGHT	MOUNTING DISTANCE DIM A	MOUNTING POINTS	MIN/MAX OAH
24"	12 LBS	22.50	5	9"/144"
36"	16 LBS	34.50	5	11"/144"
48"	22 LBS	46	5	14"/144"
60"	27 LBS	57.50	5	16"/144"
72"	35 LBS	70.25	5	18"/144"

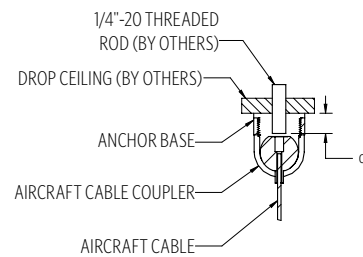
**RGBW MOUNTING INFORMATION CHART**

LUMINAIRE DIAMETER	LUMINAIRE WEIGHT	MOUNTING DISTANCE DIM A	MOUNTING POINTS	MIN/MAX OAH
24"	12 LBS	22.75	5	9"/144"
36"	16 LBS	32.75	5	11"/144"
48"	22 LBS	45.375	5	14"/144"
60"	27 LBS	55.375	5	16"/144"
72"	35 LBS	70.375	5	18"/144"

\* PIDA ships with one of three OAH's (48", 100" or 144") and is field adjustable to the desired height. For OAH over 144", contact your local rep. PIDA will include ETL listed enclosure for remote mounting drivers. Max 30' distance from luminaire for **DM1**. Enclosure must remain accessible after installation.

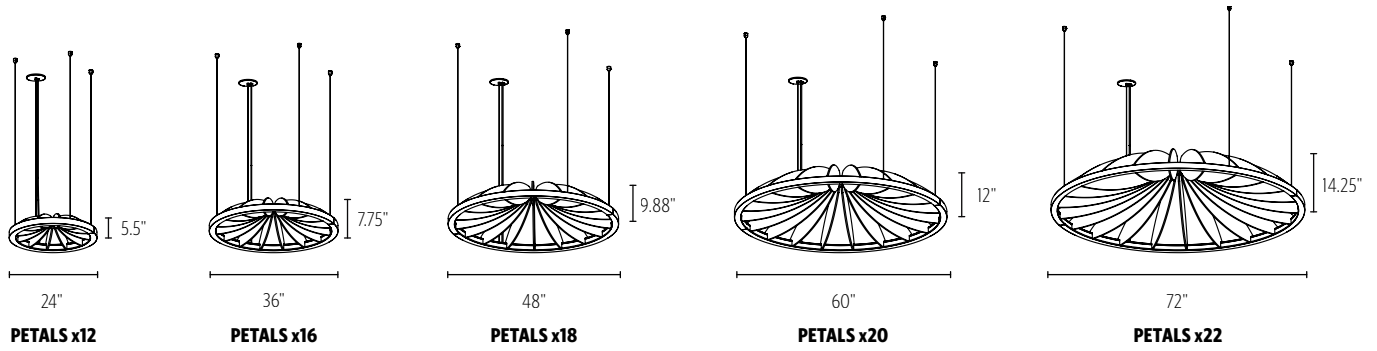


**HARD CEILING**



**DROP CEILING**

**SIZES**



**DIFFUSER**



**MW** MATTE WHITE

**FINISH**

**METALLIC POWDER COAT FINISHES:**



**SMP**  
SILVER



**GRP**  
GRAPHITE



**SGP**  
STEEL GRAY



**GLP**  
GOLDTASTIC



**BMP**  
BRASS



**BNP**  
BRONZE

**PREMIUM METAL FINISHES:**



**BAL**  
BRUSHED  
ALUMINUM

**SOLID POWDER COAT FINISHES:**



**SWP**  
SKY WHITE



**MWP**  
MATTE  
WHITE



**BKP**  
BLACK

**TEXTURED POWDER COAT FINISHES:**



**BTP**  
BLACK  
TEXTURED



**WTP**  
WHITE  
TEXTURED

**RAL , Pantone® or custom finishes are also available.**

These colors are for reference only. Please be aware that colors may vary per monitor. Contact your local rep for finish samples or with any questions.

**ACOUSTIC**

**ACOUSTIC COLORS:**



**PBK**  
PURE BLACK



**CHG**  
CHARCOAL



**SLT**  
SLATE



**SDG**  
SHADOW  
GRAY



**PIC**  
PEARL ICE



**CWH**  
CLASSIC  
WHITE



**SLG**  
SILVER  
GRAY



**BRY**  
BERRY



**CHR**  
CHERRY  
RED



**NTL**  
NATURAL  
LINEN



**HZW**  
HAZELWOOD



**CFB**  
CORNFLOWER  
BLUE



**DNB**  
DENIM BLUE



**BRD**  
BRICK RED



**MNB**  
MIDNIGHT  
BLUE



**DPP**  
DEEP  
PURPLE



**EMG**  
EMERALD  
GREEN



**CNM**  
CINNAMON



**CRT**  
CARROT



**DWT**  
DEEPWATER



**PNA**  
PINEAPPLE



**LMS**  
LIMESTONE



**BLS**  
BLUSH



**SFM**  
SEAFOAM

These colors are for reference only. Please be aware that colors may vary per monitor. Contact your local rep with any questions.

**Request a swatch sample at [ocl.com/finishes](http://ocl.com/finishes)**

## LIGHT SOURCE

		PE1				
		24"	36"	48"	60"	72"
<b>LED1</b>	LUMENS DELIVERED	1030	1480	1960	2780	3570
	SYSTEM WATTAGE	21	32	42	53	64
<b>LED2</b>	LUMENS DELIVERED	1720	2460	3000	4670	5970
	SYSTEM WATTAGE	35	50	60	80	95
<b>TWH1</b>	LUMENS DELIVERED	-	-	-	-	-
	SYSTEM WATTAGE	19	28	38	47	57
<b>RGBW</b>	LUMENS DELIVERED	-	-	-	-	-
	SYSTEM WATTAGE	36	51	71	87	110

This chart was created for a 35K color temp using **CHW** acoustic option. Multiply by 0.95 for 27k color temp, 0.97 for 30k color temp, and 1.03 for 40k color temp. Wattage and lumen data for **TWH1** and **RGBW** approx. pending LM-79 testing. **NOTE:** Light reflectance and lumen output may vary by color.

Values shown for 80+ CRI. For 90+ CRI lumens use 0.85 multiplier.

**PHOTOMETRY:**

LUMINAIRE: PE1-P1XX-48-MW-PTD-LED2\_35K-UNV-48-CWH  
 COLOR TEMP #: 3500K  
 TEST REPORT: TEST NO. 104600698CHI-003

For all available IES files, please visit our website at ocl.com.

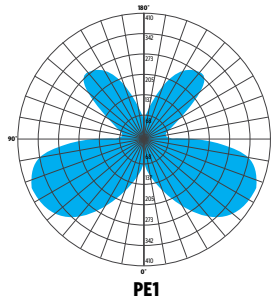
IESNA LM-79, ANSI NEMA ANSLG C78.377: 2017, and TM 30-18 testing reports available upon request.

STANDARD COLOR TEMPERATURE OPTIONS	CRI (RA)	
2700K	80+	90+
3000K	80+	90+
3500K	80+	90+
4000K	80+	90+
TWH1	90+	
RGBW	N/A	

For 80+ CRI - 80 RA, R9 > 0 (10-15 TYP.); For 90+ CRI - 90 RA, R9 > 50

% OF LUMINAIRE	
ZONE	PE1
0-30	6%
0-60	33%
0-90	68%
90-180	33%
0-180	100%

This chart created using 48" size. Refer to IES files for accurate zonal lumens by size.



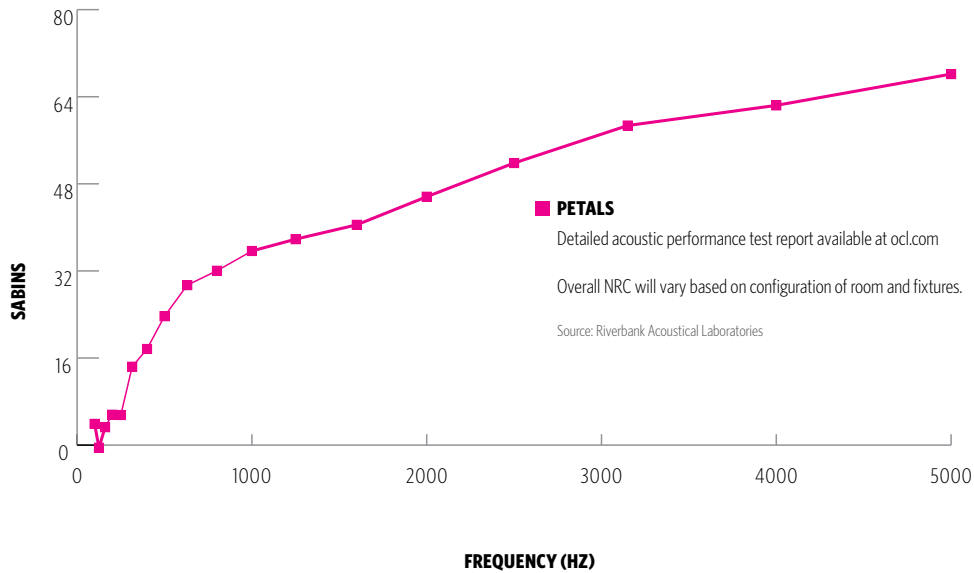
**LUMEN MAINTENANCE**

REPORTED: L70 AT >60,000 HRS  
 CALCULATED: L70 AT 136,000 HRS  
 REPORTED: L90 AT 41,000 HRS  
 CALCULATED: L90 AT 41,000 HRS

Derived from EPA TM-21 calculator. Based on typical conditions. Consult the factory for additional details.

## ACOUSTICAL TESTING

**PETALS ACOUSTIC PERFORMANCE (4 UNITS):**



## CONTROL

### DM1 0-10V DIMMING 1%

- 0-10V DIMMING PROTOCOL
- 1% MINIMUM DIM LEVEL
- ELECTRONIC DRIVER
- POWER FACTOR >0.9
- THD <20%
- MINIMUM AMBIENT OPERATING TEMPERATURE -31°F
- LINEAR DIMMING CURVE
- FIELD REPLACEABLE

### DALI DALI CONTROL SYSTEM, DIMMABLE 0.1%

- DALI-2 DEVICE TYPE 6 CONTROL PROTOCOL
- 0.1% MINIMUM DIM LEVEL
- ELECTRONIC DRIVER
- POWER FACTOR >0.9
- THD <20%
- MINIMUM AMBIENT OPERATING TEMPERATURE -4°F
- LOGARITHMIC DIMMING CURVE [DEFAULT]
- FIELD REPLACEABLE

### DMX DMX CONTROL DIMMABLE TO 0.1%

- DMX/RDM DIMMING PROTOCOL
- 0.1% MINIMUM DIM LEVEL
- ELECTRONIC DRIVER
- POWER FACTOR >0.9
- THD <20%
- MINIMUM AMBIENT OPERATING TEMPERATURE -4°F
- LOGARITHMIC DIMMING CURVE [DEFAULT]
- FIELD REPLACEABLE

### DM8 DUAL 0-10V DIMMING 0.1%

- 0-10V DIMMING PROTOCOL
- 0.1% MINIMUM DIM LEVEL
- ELECTRONIC DRIVER
- POWER FACTOR >0.9
- THD <20%
- MINIMUM AMBIENT OPERATING TEMPERATURE -4°F
- LOGARITHMIC DIMMING CURVE [DEFAULT]
- FIELD REPLACEABLE

## OPTIONS

### MOD MODIFIED LUMINAIRE

- LUMINAIRE IS MODIFIED FROM STANDARD OPTIONS; CONTACT LOCAL REP FOR MORE INFORMATION

### BIOS

- BIOS SKYBLUE™ DYNAMIC** LIGHT ENGINE IS DIMMABLE AND FEATURES A SIMPLE APPROACH TO CIRCADIAN LIGHTING CONTROLS.
- WHEN PAIRED WITH THE BIOS BIO-DIMMING MODULE, IT OPERATES USING ANY SINGLE CHANNEL CONSTANT CURRENT (CC) LED DRIVER AND CAN BE USED WITH ANY STANDARD DIMMING INTERFACE/PROTOCOL (0-10V, ELV, DMX, WIRELESS) AND COULD WORK WITH EXISTING TWO-CHANNEL CONTROL SYSTEMS AS WELL.
- VISIT [OCL.COM/BIOS](http://OCL.COM/BIOS) FOR MORE INFORMATION

### ACOUSTIC PETALS

- AFFIXED ACOUSTIC PETALS AID IN THE REDUCTION OF SOUND REFLECTIONS, REVERBERATION, AND ECHO
- ASTM E-84 CLASS A / CAN ULC S102 FLAME SPREAD: 0 | SMOKE DEVELOPMENT INDEX: 300
- 9MM 100% POLYESTER FIBER PANEL WITH A MINIMUM 50% POST-CONSUMER RECYCLED MATERIAL (PET)
- ACOUSTIC PERFORMANCE (ASTM C423) TEST REPORT AVAILABLE AT [OCL.COM](http://OCL.COM)
- VARIATIONS IN FIBER MIX AND COLOR MAY OCCUR. ALL PRODUCTS WILL BE SUPPLIED WITHIN COMMERCIAL TOLERANCES
- CARE & CLEANING:** REMOVE DUST AND DEBRIS WITH A CLEAN, SOFT, LINT-FREE CLOTH OR DUSTER



## SPECIFICATIONS

### CONSTRUCTION

- HOUSING IS EXTRUDED AND WELDED ALUMINUM
- HOUSING SEAMS ARE FULLY WELDED AND GROUND SMOOTH
- DIFFUSER IS EXTRUDED SILICONE
- CANOPY IS FORMED ALUMINUM
- HARDWARE IS ZINC PLATED OR STAINLESS STEEL

### MOUNTING

- PIEM, PIDA, PIEU** AND **PIDB** ALL MOUNT TO 4X4" OCTAGON OR 4" ROUND J-BOX (BY OTHER)

### ELECTRICAL

- DIMMING ELECTRONIC DRIVER(S), COMES STANDARD WITH 0-10V DOWN TO 1% [STATIC WHITE]
- OCL PROPRIETARY LED ARRAYS USE NICHIA 757 DIODES (STATIC WHITE)
- FOR INTEGRAL DRIVERS:** LUMINAIRE CONNECTS TO BUILDING SUPPLY (120V-277V 50/60HZ)
- FOR REMOTE DRIVERS:** LUMINAIRE WIRE LEADS ARE LOW-VOLTAGE. THE WIRES SHOULD BE CONNECTED TO OCL PROVIDED REMOTE DRIVER ENCLOSURE ONLY!

### LISTING

- ETL LISTED TO UL 1598/2108 FOR DRY LOCATIONS, DAMP LOCATION LISTED IS OPTION

### WARRANTY

- 5 YEAR; ALL ELECTRICAL COMPONENTS RETAIN THE MANUFACTURER'S WARRANTY

### BUILD AMERICA, BUY AMERICA (BABA)

- THIS PRODUCT MEETS THE GUIDELINES FOR THE BUILD AMERICA, BUY AMERICA ACT. **SOME EXCLUSIONS APPLY.** FOR MORE INFORMATION AND A FULL LIST OF ELIGIBLE SKUS, VISIT [OCL.COM/BABA](http://OCL.COM/BABA)

### SUSTAINABILITY

- THIS PRODUCT MEETS THE MATERIAL RESTRICTIONS OF ARTICLE 4 OF THE **ROHS** DIRECTIVE (2011/65/EU), INCLUDING COMMISSION DELEGATED DIRECTIVE 2015/863
- BIOS** LIGHTING CONTRIBUTES TOWARD THE CIRCADIAN LIGHTING DESIGN FEATURE 54 UNDER THE **WELL BUILDING STANDARD™ V1** AND FEATURE L03 UNDER THE **WELL BUILDING STANDARD V2**

## COMMON MODIFICATIONS

### WE'RE BUILT FOR OUT-OF-THE-BOX THINKERS.

Nearly 50% of OCL fixtures we manufacture have some type of modification. Here is a list of common modifications we frequently produce. **Please contact the factory for modifications specific to your fixture or project.**

Need some help? Simply send your questions to us at [OCL-Quotes@ocl.com](mailto:OCL-Quotes@ocl.com)

- BIOS, TUNABLE WHITE, WARM-DIM, & RGBW LIGHT SOURCES
- SPECIFIC LUMEN OUTPUT
- MODIFIED CLUSTERS OR CONFIGURATIONS / MULTI-DROP CANOPIES
- VARIOUS SHAPES, ARCS, AND CURVES FOR LINEAR PROFILES AND RINGS
- CEILING OR SURFACE MOUNTING
- LARGE SCALE MODIFICATIONS
- RAL, PANTONE, BRAND-SPECIFIC, RETIRED OCL COLOR, OR CUSTOM FINISHES



- EMERGENCY BATTERY BACKUP OR INVERTER OPTIONS
- REMOTE DRIVERS / EXTENDED DISTANCE REMOTE DRIVERS
- DIMMING TO 0.1% (DIM TO DARK)
- NON-STANDARD SIZES OR LENGTHS
- NON-STANDARD CANOPY, BODY AND/OR CORD COLORS
- SEISMIC AND/OR ANTI-SWAY SYSTEMS
- RIGID STEMS
- MODIFIED OVERALL HEIGHTS (LONGER OR SHORTER OAH)
- UPLIGHT ADDITIONS
- LASER ETCHING, ENGRAVING, AND CUTOUTS

The drawings and specifications and ideas, designs and arrangements represented on these drawings are and shall remain the property of The Original Cast Lighting (OCL Architectural Lighting) and no part thereof shall be copied, disclosed, to others or used in conjunction with any work or project other than the specified project for which they have been prepared and developed, without written consent of OCL. Visual contact with these plans or specifications shall constitute conclusive evidence of acceptance of these restrictions. All specifications and information subject to change without notice.