

Glowstick Diverge™

MULTIPOINT PENDANT


FEATURES

- ELEGANT & CONTEMPORARY DESIGN WITH END LIT DIFFUSER
- 7 OR 14 DROP WITH SIDE OR BOTTOM CANOPY EXITS AVAILABLE
- 4 BRAIDED COLOR CORD CHOICES
- EXCELLENT THERMAL MANAGEMENT IS ACHIEVED THROUGH AN EXTRUDED AND MACHINED ALUMINUM FIXTURE BODY
- CUSTOM CONFIGURATIONS ARE POSSIBLE
- 3 STEP LED BINNING
- FIELD REPLACEABLE LEDS AND DRIVERS
- AVAILABLE IN 80+ CRI AND 90+ CRI (R9>50)



CATALOG CODES

GS1	-	B	-	17	-	CR	-	E	-	LED1	-	UNV	-	H	-	DMO	-	J
SERIES		HANGING SYSTEM		SIZE		DIFFUSER		FINISH		LIGHT SOURCE		VOLTAGE		OAH		CONTROL		OPTIONS

SPECIFY CATALOG CODE						
A	B		C	D	E	
SERIES	HANGING SYSTEM		SIZE*	DIFFUSER	STANDARD FINISHES	PREMIUM FINISHES
 GS1 GLOWSTICK	MOUNTING TYPE	CORD COLOR	17	CR CLEAR ACRYLIC ROD	POWDER COAT FINISHES	EVERWOODS POWDER COAT FINISHES (BODY ONLY)
	P7CD 7 DROP CLUSTER PENDANT WITH BOTTOM EXIT POWER CORDS	S SILVER BRAIDED POWER CORD				
	P14CD 14 DROP CLUSTER PENDANT WITH BOTTOM EXIT POWER CORDS	B BLACK BRAIDED POWER CORD				
	P7CE 7 DROP CLUSTER PENDANT WITH SIDE EXIT POWER CORDS	W WHITE BRAIDED POWER CORD				
P14CE 14 DROP CLUSTER PENDANT WITH SIDE EXIT POWER CORDS	C POLISHED COPPER BRAIDED POWER CORD					

F			G	H	I	J
LIGHT SOURCE			VOLTAGE	CCL**	CONTROL	OPTIONS
LED OUTPUT	COLOR TEMP (80+ CRI)	COLOR TEMP (90+ CRI)	UNV 120-277	120 240 360	DMO 0-10V DIMMING 10%	HCL HEX CELL LOUVER ULD UL DAMP LABEL 7MPH 7 ADDITIONAL MULTIPOINT HOOKS 14MPH 14 ADDITIONAL MULTIPOINT HOOKS MOD MODIFIED LUMINAIRE (CONTACT LOCAL REP)
LED1	27K 30K 35K 40K	927K 930K 935K 940K				

SAMPLE CODE: GB1-P7CDB-04-FS-BTP-LED1/35K-UNV-44-DM1

*17" standard canopy finished as specified. Fixtures using any **Everwoods finish**, canopy will be **MWP** unless specified

Fixture will ship with one of three standard Cord Lengths (CCL**) - 120", 240" or 360" field adjustable to the desired height and multipoint configuration.

MODS, NOTES, & COMMENTS

UP TO **70** LM/W

		7 CLUSTER	14 CLUSTER
LED1	LUMENS DELIVERED	2450	4900
	SYSTEM WATTAGE	35	70

This chart was created for a 35K color temp. Multiply by 0.95 for 27k color temp, 0.97 for 30k color temp, and 1.03 for 40k color temp.

Values shown for 80+ CRI. For 90+ CRI lumens use 0.90 multiplier.

HANGING SYSTEM

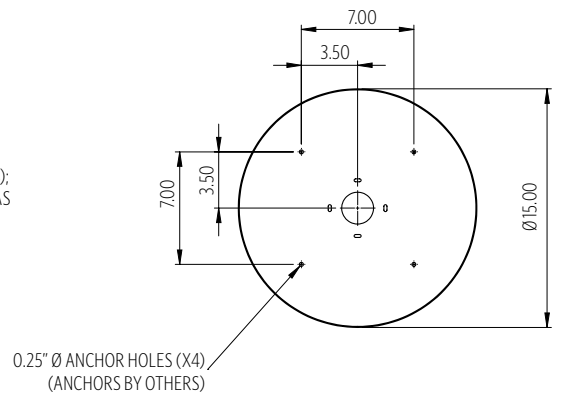
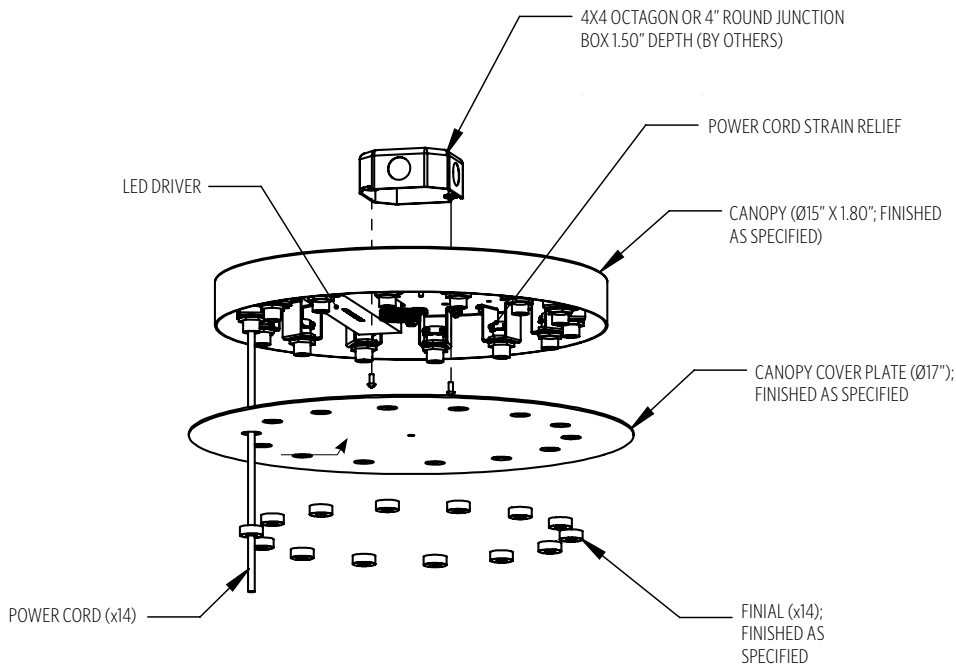
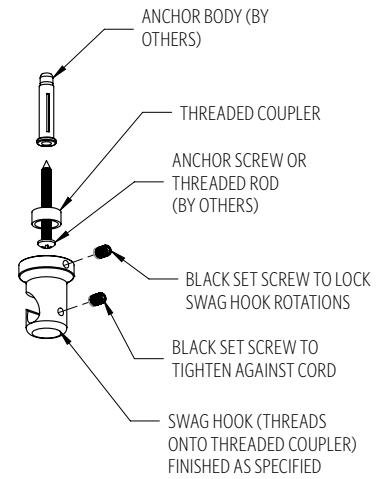
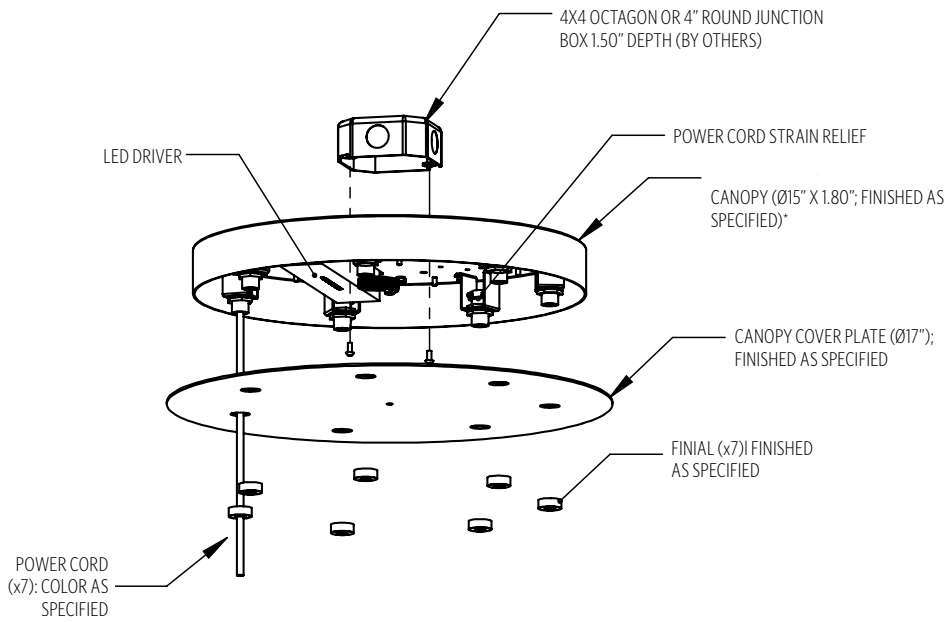
- P7CD** 7 DROP CLUSTER PENDANT WITH BOTTOM EXIT POWER CORDS
P14CD 14 DROP CLUSTER PENDANT WITH BOTTOM EXIT POWER CORDS

MOUNTING INFORMATION CHART

LUMINAIRE	LUMINAIRE WEIGHT	MOUNTING POINTS
P7CD	30 LBS	1
P14CD	50 LBS	1

*Canopy finished as specified. Fixtures using any **Everwoods finish**, canopy will be **MWP** unless specified; Canopy requires additional anchors (by others)

Fixture will ship with one of three standard Cord Lengths (**CCL**) - 120", 240" or 360" - field adjustable to the desired height and multipoint configuration



HANGING SYSTEM

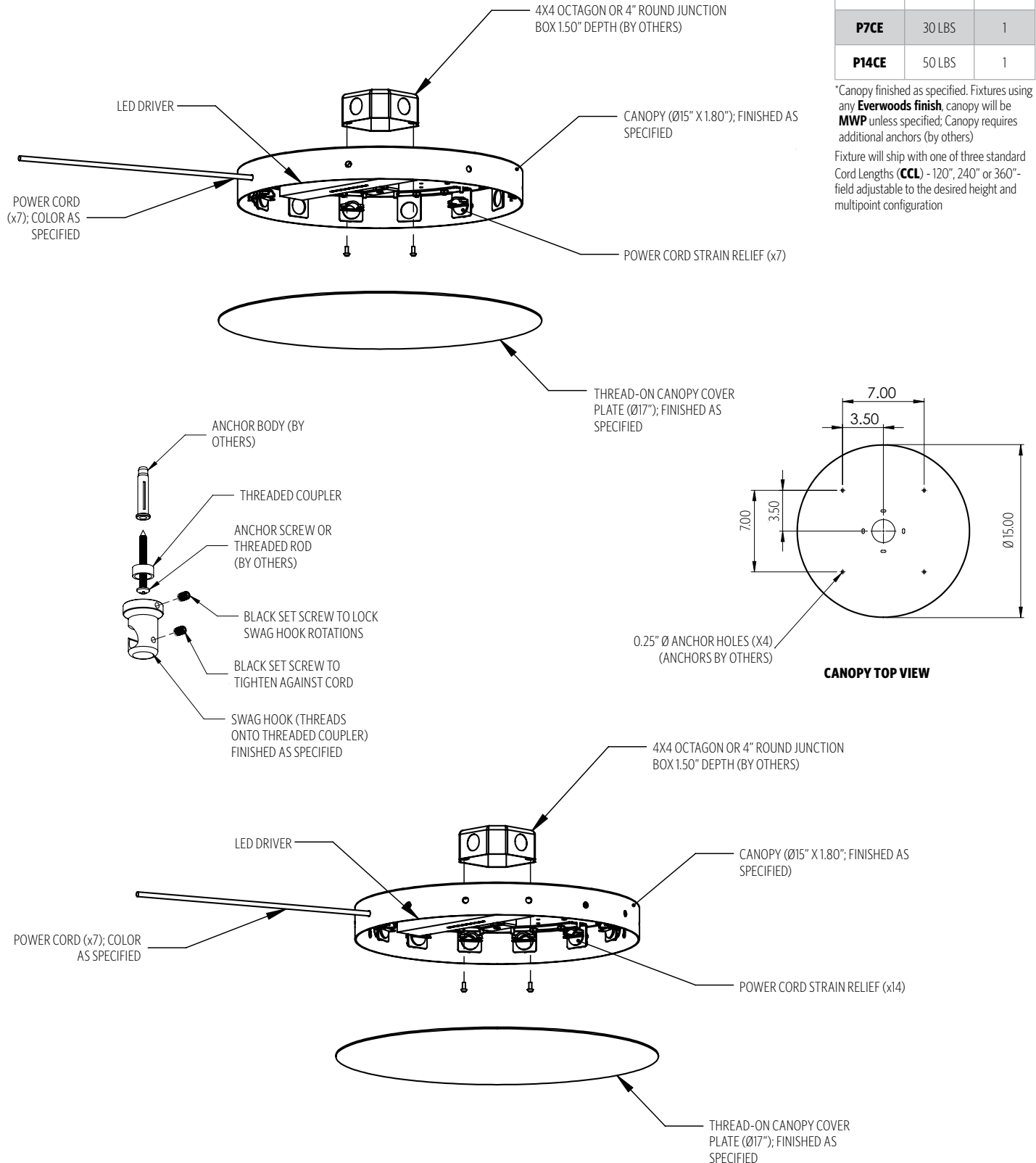
- P7CE** 7 DROP CLUSTER PENDANT WITH SIDE EXIT POWER CORDS
P14CE 14 DROP CLUSTER PENDANT WITH SIDE EXIT POWER CORDS

MOUNTING INFORMATION CHART

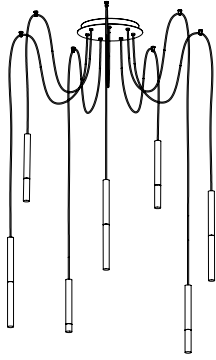
LUMINAIRE	LUMINAIRE WEIGHT	MOUNTING POINTS
P7CE	30 LBS	1
P14CE	50 LBS	1

*Canopy finished as specified. Fixtures using any **Everwoods finish**, canopy will be **MWP** unless specified; Canopy requires additional anchors (by others)

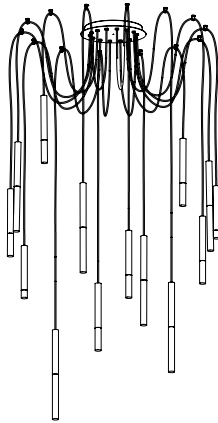
Fixture will ship with one of three standard Cord Lengths (**CCL**) - 120", 240" or 360" - field adjustable to the desired height and multipoint configuration



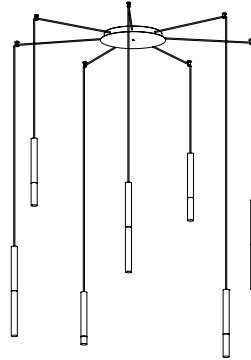
SIZE AND SECTIONS



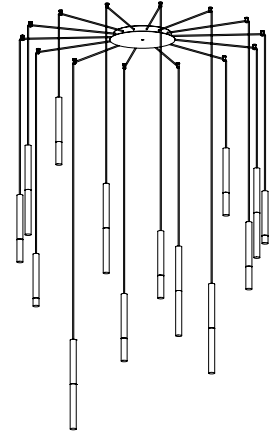
P7CD
WT: 30 LBS
 12" BODY x7
 2" ACRYLIC x1
 6" ACRYLIC x3
 12" ACRYLIC x3



P14CD
WT: 50 LBS
 12" BODY x14
 2" ACRYLIC x2
 6" ACRYLIC x6
 12" ACRYLIC x6



P7CE
WT: 30 LBS
 12" BODY x7
 2" ACRYLIC x1
 6" ACRYLIC x3
 12" ACRYLIC x3



P14CE
WT: 50 LBS
 12" BODY x14
 2" ACRYLIC x2
 6" ACRYLIC x6
 12" ACRYLIC x6

DIFFUSER

ACRYLIC FINISHES:



CR CLEAR ACRYLIC ROD

RAL[®], Pantone[®] or custom finishes are also available.

These colors are for reference only. Please be aware that colors may vary per monitor. Contact your local rep for finish samples or with any questions.

METALLIC POWDER COAT FINISHES:



SMP
SILVER



GRP
GRAPHITE



SGP
STEEL GRAY



GLP
GOLDTASTIC



BMP
BRASS



BNP
BRONZE

SOLID POWDER COAT FINISHES:



SWP
SKY WHITE



MWP
MATTE WHITE



BKP
BLACK

TEXTURED POWDER COAT FINISHES:



BTP
BLACK TEXTURED



WTP
WHITE TEXTURED

CORD COLOR OPTIONS



S
SILVER BRAIDED



B
BLACK BRAIDED



W
WHITE BRAIDED



C
POLISHED COPPER BRAIDED

EVERWOODS POWDER COAT COLLECTION:



WPDP
WHITE PINE



PNDP
PINE



CRDP
CHERRY



TKDP
TEAK



WLDP
WALNUT



DLDP
DARK WALNUT



LWDP
LIGHT BARNWOOD



DWDP
DARK BARNWOOD

LIGHT SOURCE

		7 CLUSTER	14 CLUSTER
LED1	LUMENS DELIVERED	2450	4900
	SYSTEM WATTAGE	35	70

This chart was created for a 35K color temp. Multiply by 0.95 for 27k color temp, 0.97 for 30k color temp, and 1.03 for 40k color temp.

Values shown for 80+ CRI. For 90+ CRI lumens use 0.90 multiplier.

STANDARD COLOR TEMPERATURE OPTIONS	CRI (RA)	
	2700K	80+
3000K	80+	90+
3500K	80+	90+
4000K	80+	90+

OCL recommends placing individual IES files in your models where the drops will be located to determine light output in your space base on your unique configuration of the fixture.

Please see website IES files. Note the Diverge IES files vary from the single drop IES files due to the reduced wattage per drop for Diverge.

CONTROL

DMO 0-10V DIMMING 10%

- 0-10V DIMMING
- 10% MINIMUM DIM LEVEL
- ELECTRONIC DRIVER
- POWER FACTOR >0.9
- THD <20%
- MINIMUM AMBIENT OPERATING TEMPERATURE -31°F
- FIELD REPLACEABLE

OPTIONS

HCL HEX CELL LOUVER

- PROVIDES A 45° VISUAL CUT-OFF TO HELP REDUCE GLARE

ULD DAMP LABEL LUMINAIRE

- MAY BE USED IN AN OUTDOOR AREA THAT IS PROTECTED FROM DIRECT CONTACT WITH WIND, RAIN, SNOW OR EXCESSIVE MOISTURE

MOD MODIFIED LUMINAIRE

- LUMINAIRE IS MODIFIED FROM STANDARD OPTIONS; CONTACT LOCAL REP FOR MORE INFORMATION

SPECIFICATIONS

CONSTRUCTION

- HOUSING IS EXTRUDED AND MACHINED ALUMINUM
- DIFFUSER IS CLEAR ACRYLIC
- CANOPY IS SPUN ALUMINUM
- HARDWARE IS ZINC PLATED OR STAINLESS STEEL
- CORD IS PREMIUM BRAIDED CLOTH OVER INSULATED HOUSING

MOUNTING

- ALL MOUNT TO 4X4" OCTAGON OR 4" ROUND J-BOX (BY OTHERS)
- CANOPY REQUIRES ADDITIONAL ANCHORS (BY OTHERS)

ELECTRICAL

- CONSTANT VOLTAGE DIMMING ELECTRONIC DRIVER(S), COMES STANDARD WITH 0-10V DOWN TO 10%
- OCL PROPRIETARY LED ARRAYS USE NICHIA 757 DIODES
- 80+ CRI = 80 RA, R9 > 0 (10-15 TYP.)
- 90+ CRI = 90 RA, R9 > 50
- LUMINAIRE CONNECTS TO BUILDING SUPPLY (120V-277V 50/60HZ) UNLESS DRIVERS ARE REMOTE

LISTING

- ETL LISTED TO UL 1598 FOR DRY LOCATIONS, DAMP LOCATION LISTED IS OPTION

WARRANTY

- 5 YEAR; ALL ELECTRICAL COMPONENTS RETAIN THE MANUFACTURER'S WARRANTY

BUILD AMERICA, BUY AMERICA (BABA)

- THIS PRODUCT MEETS THE GUIDELINES FOR THE BUILD AMERICA, BUY AMERICA ACT. **SOME EXCLUSIONS APPLY.** FOR MORE INFORMATION AND A FULL LIST OF ELIGIBLE SKUS, VISIT [OCL.COM/BABA](https://www.ocl.com/baba)

SUSTAINABILITY

- **DECLARE:** DECLARE IS AN INGREDIENT LABEL DISCLOSURE FOR BUILDING PRODUCTS THAT IS DESIGNED TO HELP SPECIFIERS QUICKLY IDENTIFY PRODUCTS THAT SUPPORT HUMAN AND ENVIRONMENTAL HEALTH. LEARN MORE AT [OCL.COM/DECLARE](https://www.ocl.com/declare)
- THIS PRODUCT MEETS THE MATERIAL RESTRICTIONS OF ARTICLE 4 OF THE **ROHS** DIRECTIVE (2011/65/EU), INCLUDING COMMISSION DELEGATED DIRECTIVE 2015/863

DECLARE

Final assembly location
Where was the product made?

Chemical ingredients
What is in this product?

Red List compliance
Are there Red List ingredients in this product?



Declare.

Glowstick
OCL Architectural Lighting

Final Assembly: St. Louis, Missouri, USA
Life Expectancy: 10 Year(s)
End of Life Options: Recyclable (82), Landfill (18)

Ingredients:
Small Electrical Component¹; Aluminum; Steel; Steel manufacture, chemicals; 2-Propenoic acid, 2-methyl-, methyl ester, polymer with ethyl 2-propenoate; Cadmium; Zinc; Distillates (petroleum); hydrotreated heavy naphthenic; Iron; Nickel (Metallic)

¹LBC Temp Exception RL-002 - Small Electrical Components

Living Building Challenge Criteria:

I-13 Red List:
 LBC Red List Free % Disclosed: 100% at 100ppm
 LBC Red List Approved VOC Content: Not Applicable
 Declared

I-10 Interior Performance: Not Applicable
I-14 Responsible Sourcing: Not Applicable

OCL-0001
EXP: 01 OCT 2024
Original Issue Date: 2023

Third party verified

MANUFACTURED AND IMPORTED BY OCL GLOBAL SERVICES
INTERNATIONAL LIVING FUTURE INSTITUTE™ [living-future.org/declare](https://www.living-future.org/declare)

Life expectancy + end of life options
How long will this product last + what do you do with it when you're done with it?

VOC info
Does this product off-gas?

DECLARE: PRODUCT TRANSPARENCY IN MANUFACTURING

Declare is the only label that combines material transparency and the Red List. It distills complex chemical ingredient information into an easy to read label. Declare helps specifiers find Red List Free products, which are healthy for people, the environment, and communities.

A product's compliance with the LBC Red List is represented on the Declare® label by the product's Declaration Status. There are three Declaration Statuses:

- **DECLARED (RLD)** products disclose 100% of ingredients present in the final product, but contain one or more Red List chemicals that are not covered by an approved exception.
- **LBC RED LIST APPROVED (RLA)** products disclose a minimum of 99% of ingredients present in the final product and meet the LBC Red List Imperative requirements through one or more approved exceptions.
- **LBC RED LIST FREE (RLF)** products disclose 100% of ingredients present at or above 100 ppm (0.01%) in the final product and do not contain any Red List chemicals.

Need more information? Visit [ocl.com/declare](https://www.ocl.com/declare) to learn more.

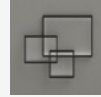
COMMON MODIFICATIONS

WE'RE BUILT FOR OUT-OF-THE-BOX THINKERS.

Nearly 50% of OCL fixtures we manufacture have some type of modification. Here is a list of common modifications we frequently produce. **Please contact the factory for modifications specific to your fixture or project.**

Need some help? Simply send your questions to us at OCL-Quotes@ocl.com

- BIOS, TUNABLE WHITE, WARM-DIM, & RGBW LIGHT SOURCES
- SPECIFIC LUMEN OUTPUT
- MODIFIED CLUSTERS OR CONFIGURATIONS / MULTI-DROP CANOPIES
- VARIOUS SHAPES, ARCS, AND CURVES FOR LINEAR PROFILES AND RINGS
- CEILING OR SURFACE MOUNTING
- LARGE SCALE MODIFICATIONS
- RAL, PANTONE, BRAND-SPECIFIC, RETIRED OCL COLOR, OR CUSTOM FINISHES



- EMERGENCY BATTERY BACKUP OR INVERTER OPTIONS
- REMOTE DRIVERS / EXTENDED DISTANCE REMOTE DRIVERS
- DIMMING TO 0.1% (DIM TO DARK)
- NON-STANDARD SIZES OR LENGTHS
- NON-STANDARD CANOPY, BODY AND/OR CORD COLORS
- SEISMIC AND/OR ANTI-SWAY SYSTEMS
- RIGID STEMS
- MODIFIED OVERALL HEIGHTS (LONGER OR SHORTER OAH)
- UPLIGHT ADDITIONS
- LASER ETCHING, ENGRAVING, AND CUTOUTS

The drawings and specifications and ideas, designs and arrangements represented on these drawings are and shall remain the property of OCL Architectural Lighting and no part thereof shall be copied, disclosed, to others or used in conjunction with any work or project other than the specified project for which they have been prepared and developed, without written consent of OCL. Visual contact with these plans or specifications shall constitute conclusive evidence of acceptance of these restrictions. All specifications and information subject to change without notice.