

# Glowstick Diverge™

## MULTIPOINT PENDANT

### FEATURES


- ELEGANT & CONTEMPORARY DESIGN WITH END LIT DIFFUSER
- 7 OR 14 DROP WITH SIDE OR BOTTOM CANOPY EXITS AVAILABLE
- 4 BRAIDED COLOR CORD CHOICES
- EXCELLENT THERMAL MANAGEMENT IS ACHIEVED THROUGH AN EXTRUDED AND MACHINED ALUMINUM FIXTURE BODY
- CUSTOM CONFIGURATIONS ARE POSSIBLE
- 3 STEP LED BINNING
- FIELD REPLACEABLE LEDS AND DRIVERS
- AVAILABLE IN 80+ CRI AND 90+ CRI (R9>50)



### CATALOG CODES

<b>GS1</b>	-	<b>B</b>	-	<b>17</b>	-	<b>CR</b>	-	<b>E</b>	-	<b>LED1</b>	-	<b>UNV</b>	-	<b>H</b>	-	<b>DMO</b>	-	<b>J</b>
SERIES		HANGING SYSTEM		SIZE		DIFFUSER		FINISH		LIGHT SOURCE		VOLTAGE		OAH		CONTROL		OPTIONS

### SPECIFY CATALOG CODE

A	B		C	D	E			
SERIES	HANGING SYSTEM		SIZE*	DIFFUSER	STANDARD FINISHES	PREMIUM FINISHES		
 <p><b>GS1</b> GLOWSTICK</p>	<b>MOUNTING TYPE</b>		<b>17</b>	<b>CR</b> CLEAR ACRYLIC ROD	<b>POWDER COAT FINISHES</b>			
	<b>P7CD</b>	7 DROP CLUSTER PENDANT WITH BOTTOM EXIT POWER CORDS			<b>S</b>	SILVER BRAIDED POWER CORD	<b>BKP</b>	BLACK
	<b>P14CD</b>	14 DROP CLUSTER PENDANT WITH BOTTOM EXIT POWER CORDS			<b>B</b>	BLACK BRAIDED POWER CORD	<b>BMP</b>	BRASS METALLIC
	<b>P7CE</b>	7 DROP CLUSTER PENDANT WITH SIDE EXIT POWER CORDS			<b>W</b>	WHITE BRAIDED POWER CORD	<b>BNP</b>	BRONZE
<b>P14CE</b>	14 DROP CLUSTER PENDANT WITH SIDE EXIT POWER CORDS	<b>C</b>	POLISHED COPPER BRAIDED POWER CORD	<b>BTP</b>	BLACK TEXTURED			
					<b>GRP</b>	GRAPHITE		
					<b>GLP</b>	GOLDTASTIC		
					<b>MWP</b>	MATTE WHITE		
					<b>SGP</b>	STEEL GRAY		
					<b>SMP</b>	SILVER METALLIC		
					<b>SWP</b>	SKY WHITE		
					<b>WTP</b>	WHITE TEXTURED		
						<b>EVERWOODS POWDER COAT FINISHES (BODY ONLY)</b>		
						<b>WPDP</b>	WHITE PINE	
						<b>PNDP</b>	PINE	
						<b>CRDP</b>	CHERRY	
						<b>TKDP</b>	TEAK	
						<b>WLDP</b>	WALNUT	
						<b>DLDP</b>	DARK WALNUT	
						<b>LWDP</b>	LIGHT BARNWOOD	
						<b>DWDP</b>	DARK BARNWOOD	

F			G	H	I	J
LIGHT SOURCE			VOLTAGE	CCL**	CONTROL	OPTIONS
<b>LED OUTPUT</b>	<b>COLOR TEMP</b> (80+ CRI)	<b>COLOR TEMP</b> (90+ CRI)	<b>UNV</b> 120-277	<b>120</b> <b>240</b> <b>360</b>	<b>DMO</b> 0-10V DIMMING 10%	<b>HCL</b> HEX CELL LOUVER
<b>LED1</b>	<b>27K</b> <b>30K</b> <b>35K</b> <b>40K</b>	<b>927K</b> <b>930K</b> <b>935K</b> <b>940K</b>				<b>ULD</b> UL DAMP LABEL
						<b>7MPH</b> 7 ADDITIONAL MULTIPOINT HOOKS
						<b>14MPH</b> 14 ADDITIONAL MULTIPOINT HOOKS
						<b>MOD</b> MODIFIED LUMINAIRE (CONTACT LOCAL REP)

SAMPLE CODE: GB1-P7CDB-04-FS-BTP-LED1/35K-UNV-44-DM1

\*17" standard canopy finished as specified. Fixtures using any Everwoods finish, canopy will be MWP unless specified

\*\*Fixture will ship with one of three standard Cord Lengths (CCL) - 120", 240" or 360" field adjustable to the desired height and multipoint configuration.

### MODS, NOTES, & COMMENTS

UP TO **70** LM/W

		7 CLUSTER	14 CLUSTER
<b>LED1</b>	LUMENS DELIVERED	2450	4900
	SYSTEM WATTAGE	35	70

This chart was created for a 35K color temp. Multiply by 0.95 for 27k color temp, 0.97 for 30k color temp, and 1.03 for 40k color temp.

Values shown for 80+ CRI. For 90+ CRI lumens use 0.90 multiplier.

## HANGING SYSTEM

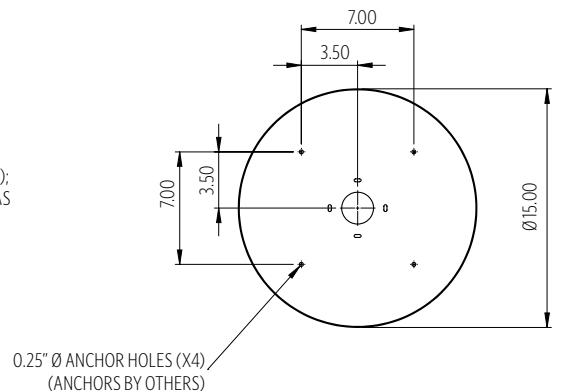
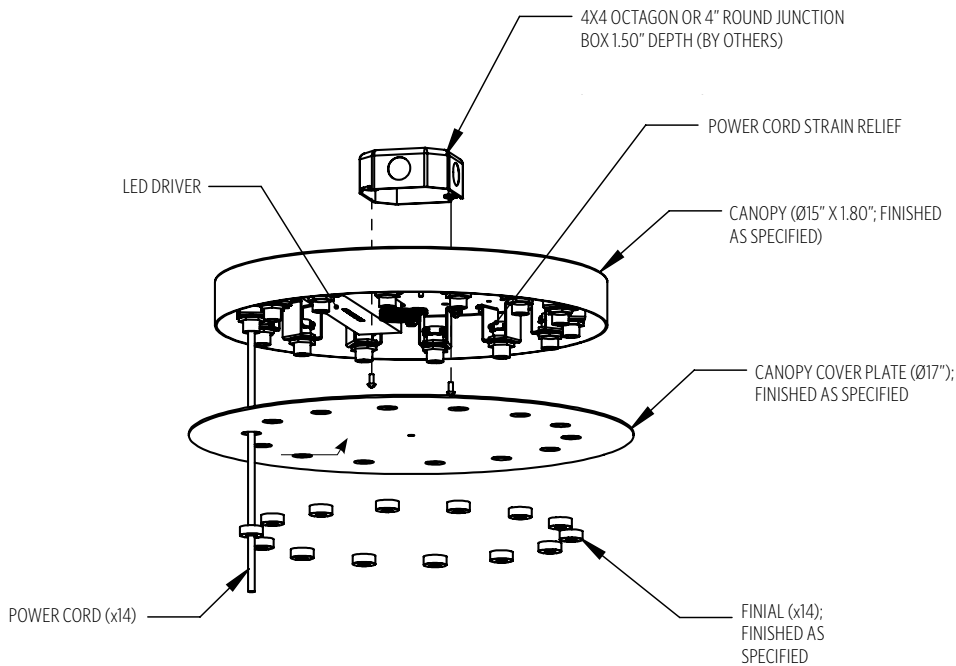
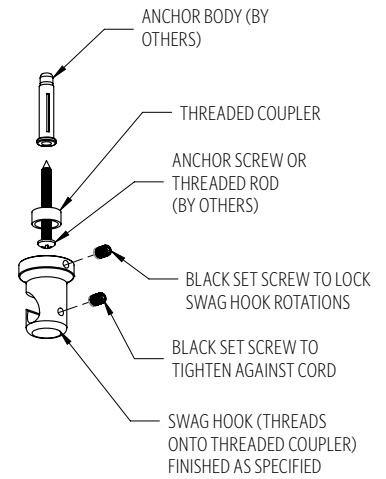
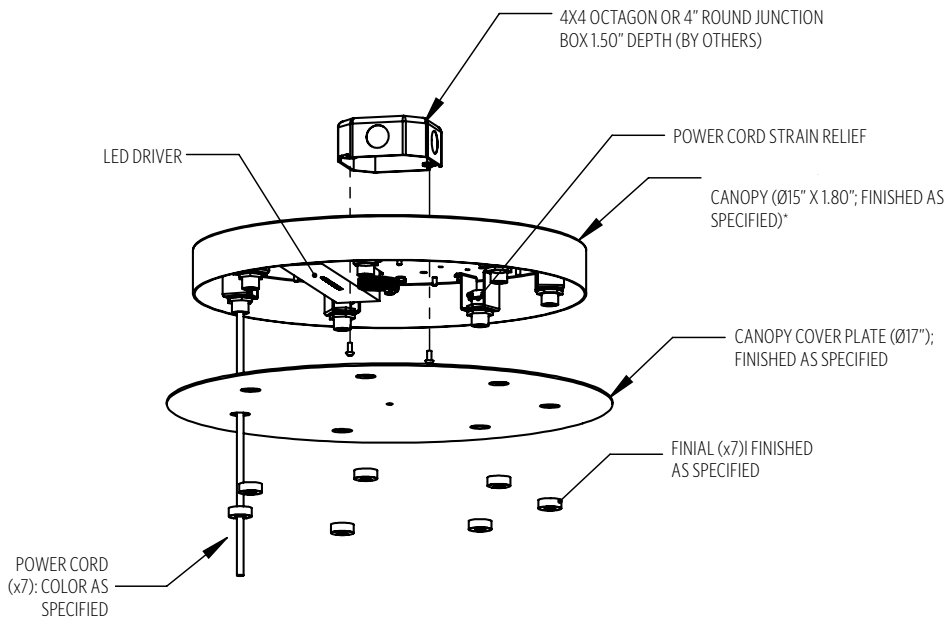
- P7CD** 7 DROP CLUSTER PENDANT WITH BOTTOM EXIT POWER CORDS  
**P14CD** 14 DROP CLUSTER PENDANT WITH BOTTOM EXIT POWER CORDS

### MOUNTING INFORMATION CHART

LUMINAIRE	LUMINAIRE WEIGHT	MOUNTING POINTS
<b>P7CD</b>	30 LBS	1
<b>P14CD</b>	50 LBS	1

\*Canopy finished as specified. Fixtures using any **Everwoods finish**, canopy will be **MWP** unless specified; Canopy requires additional anchors (by others)

Fixture will ship with one of three standard Cord Lengths (**CCL**) - 120", 240" or 360" - field adjustable to the desired height and multipoint configuration



**CANOPY TOP VIEW**

## HANGING SYSTEM

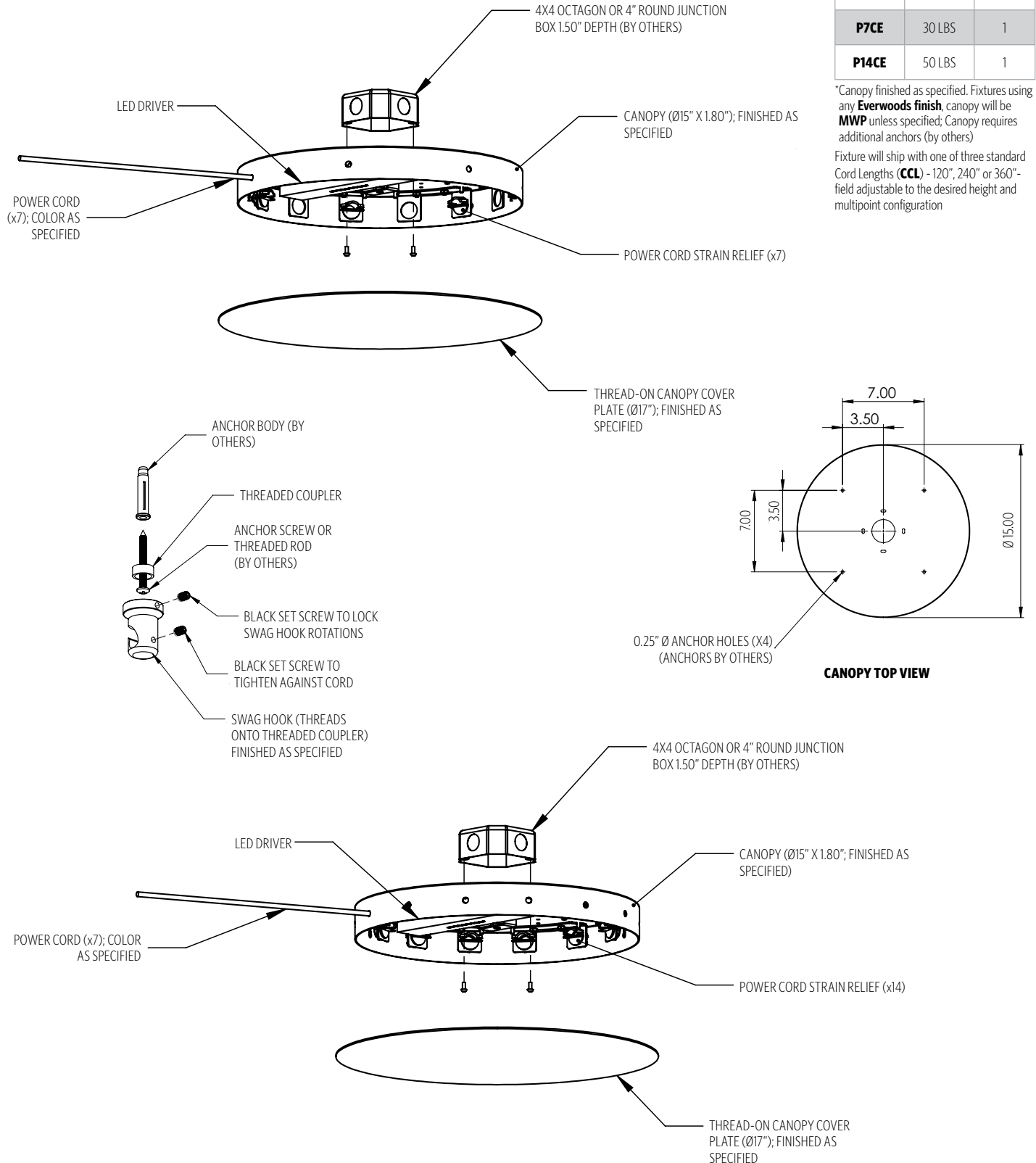
- P7CE** 7 DROP CLUSTER PENDANT WITH SIDE EXIT POWER CORDS  
**P14CE** 14 DROP CLUSTER PENDANT WITH SIDE EXIT POWER CORDS

### MOUNTING INFORMATION CHART

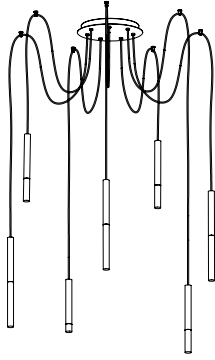
LUMINAIRE	LUMINAIRE WEIGHT	MOUNTING POINTS
<b>P7CE</b>	30 LBS	1
<b>P14CE</b>	50 LBS	1

\*Canopy finished as specified. Fixtures using any **Everwoods finish**, canopy will be **MWP** unless specified; Canopy requires additional anchors (by others)

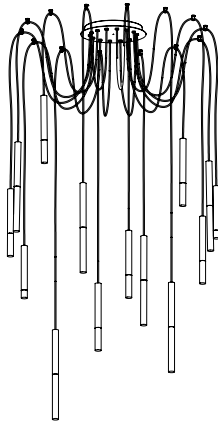
Fixture will ship with one of three standard Cord Lengths (**CCL**) - 120", 240" or 360" - field adjustable to the desired height and multipoint configuration



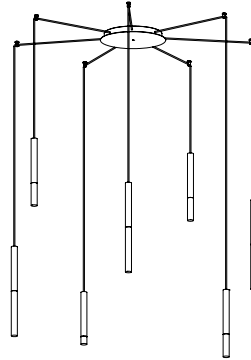
SIZE AND SECTIONS



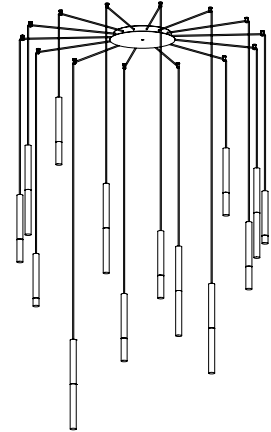
**P7CD**  
**WT:** 30 LBS  
 12" BODY x7  
 2" ACRYLIC x1  
 6" ACRYLIC x3  
 12" ACRYLIC x3



**P14CD**  
**WT:** 50 LBS  
 12" BODY x14  
 2" ACRYLIC x2  
 6" ACRYLIC x6  
 12" ACRYLIC x6



**P7CE**  
**WT:** 30 LBS  
 12" BODY x7  
 2" ACRYLIC x1  
 6" ACRYLIC x3  
 12" ACRYLIC x3



**P14CE**  
**WT:** 50 LBS  
 12" BODY x14  
 2" ACRYLIC x2  
 6" ACRYLIC x6  
 12" ACRYLIC x6

DIFFUSER

ACRYLIC FINISHES:



**CR** CLEAR ACRYLIC ROD

**RAL**, **Pantone**® or custom finishes are also available.

These colors are for reference only. Please be aware that colors may vary per monitor. Contact your local rep for finish samples or with any questions.

METALLIC POWDER COAT FINISHES:



**SMP**  
SILVER



**GRP**  
GRAPHITE



**SGP**  
STEEL GRAY



**GLP**  
GOLDTASTIC



**BMP**  
BRASS



**BNP**  
BRONZE

SOLID POWDER COAT FINISHES:



**SWP**  
SKY WHITE



**MWP**  
MATTE WHITE



**BKP**  
BLACK

TEXTURED POWDER COAT FINISHES:



**BTP**  
BLACK TEXTURED



**WTP**  
WHITE TEXTURED

CORD COLOR OPTIONS



**S**  
SILVER BRAIDED



**B**  
BLACK BRAIDED



**W**  
WHITE BRAIDED



**C**  
POLISHED COPPER BRAIDED

EVERWOODS POWDER COAT COLLECTION:



**WPDP**  
WHITE PINE



**PNDP**  
PINE



**CRDP**  
CHERRY



**TKDP**  
TEAK



**WLDP**  
WALNUT



**DLDP**  
DARK WALNUT



**LWDP**  
LIGHT BARNWOOD



**DWDP**  
DARK BARNWOOD

LIGHT SOURCE

		7 CLUSTER	14 CLUSTER
<b>LED1</b>	LUMENS DELIVERED	2450	4900
	SYSTEM WATTAGE	35	70

This chart was created for a 35K color temp. Multiply by 0.95 for 27k color temp, 0.97 for 30k color temp, and 1.03 for 40k color temp.

Values shown for 80+ CRI. For 90+ CRI lumens use 0.90 multiplier.

STANDARD COLOR TEMPERATURE OPTIONS	CRI (RA)	
	2700K	80+
3000K	80+	90+
3500K	80+	90+
4000K	80+	90+

OCL recommends placing individual IES files in your models where the drops will be located to determine light output in your space base on your unique configuration of the fixture.

Please see website IES files. Note the Diverge IES files vary from the single drop IES files due to the reduced wattage per drop for Diverge.

## CONTROL

### DMO 0-10V DIMMING 10%

- 0-10V DIMMING
- 10% MINIMUM DIM LEVEL
- ELECTRONIC DRIVER
- POWER FACTOR >0.9
- THD <20%
- MINIMUM AMBIENT OPERATING TEMPERATURE -31°F
- FIELD REPLACEABLE

## OPTIONS

### HCL HEX CELL LOUVER

- PROVIDES A 45° VISUAL CUT-OFF TO HELP REDUCE GLARE

### ULD DAMP LABEL LUMINAIRE

- MAY BE USED IN AN OUTDOOR AREA THAT IS PROTECTED FROM DIRECT CONTACT WITH WIND, RAIN, SNOW OR EXCESSIVE MOISTURE

### MOD MODIFIED LUMINAIRE

- LUMINAIRE IS MODIFIED FROM STANDARD OPTIONS; CONTACT LOCAL REP FOR MORE INFORMATION

## SPECIFICATIONS

### CONSTRUCTION

- HOUSING IS EXTRUDED AND MACHINED ALUMINUM
- DIFFUSER IS CLEAR ACRYLIC
- CANOPY IS SPUN ALUMINUM
- HARDWARE IS ZINC PLATED OR STAINLESS STEEL
- CORD IS PREMIUM BRAIDED CLOTH OVER INSULATED HOUSING

### MOUNTING

- ALL MOUNT TO 4X4" OCTAGON OR 4" ROUND J-BOX (BY OTHERS)
- CANOPY REQUIRES ADDITIONAL ANCHORS (BY OTHERS)

### ELECTRICAL

- CONSTANT VOLTAGE DIMMING ELECTRONIC DRIVER(S), COMES STANDARD WITH 0-10V DOWN TO 10%
- OCL PROPRIETARY LED ARRAYS USE NICHIA 757 DIODES
- 80+ CRI = 80 RA, R9 > 0 (10-15 TYP.)
- 90+ CRI = 90 RA, R9 > 50
- LUMINAIRE CONNECTS TO BUILDING SUPPLY (120V-277V 50/60HZ) UNLESS DRIVERS ARE REMOTE

### LISTING

- ETL LISTED TO UL 1598 FOR DRY LOCATIONS, DAMP LOCATION LISTED IS OPTION

### WARRANTY

- 5 YEAR; ALL ELECTRICAL COMPONENTS RETAIN THE MANUFACTURER'S WARRANTY

### SUSTAINABILITY

- **DECLARE:** DECLARE IS AN INGREDIENT LABEL DISCLOSURE FOR BUILDING PRODUCTS THAT IS DESIGNED TO HELP SPECIFIERS QUICKLY IDENTIFY PRODUCTS THAT SUPPORT HUMAN AND ENVIRONMENTAL HEALTH. LEARN MORE AT [OCL.COM/DECLARE](https://www.ocl.com/declare)
- THIS PRODUCT MEETS THE MATERIAL RESTRICTIONS OF ARTICLE 4 OF THE **ROHS** DIRECTIVE (2011/65/EU), INCLUDING COMMISSION DELEGATED DIRECTIVE 2015/863

## DECLARE

**Final assembly location**  
*Where was the product made?*

**Chemical ingredients**  
*What is in this product?*

**Red List compliance**  
*Are there Red List ingredients in this product?*



**Declare.**

**Glowstick**  
**OCL Architectural Lighting**

**Final Assembly:** St Louis, Missouri, USA  
**Life Expectancy:** 10 Year(s)  
**End of Life Options:** Recyclable (82), Landfill (18)

**Ingredients:**  
Small Electrical Component<sup>1</sup>; Aluminum; Steel; Steel manufacture, chemicals; 2-Propenoic acid, 2-methyl-, methyl ester, polymer with ethyl 2-propenoate; Cadmium; Zinc; Distillates (petroleum), hydrotreated heavy naphthenic; Iron; Nickel (Metallic)

<sup>1</sup>LBC Temp Exception RL-002 - Small Electrical Components

**Living Building Challenge Criteria:**

**I-13 Red List:**  
 LBC Red List Free      % Disclosed: 100% at 100ppm  
 LBC Red List Approved      VOC Content: Not Applicable  
 Declared

**I-10 Interior Performance:** Not Applicable  
**I-14 Responsible Sourcing:** Not Applicable

OCL-0001  
EXP. 01 OCT 2024  
Original Issue Date: 2023

**Third Party Verified**

MANUFACTURER CLAIMS VERIFIED BY SGS GLOBAL SERVICES  
INTERNATIONAL LIVING FUTURE INSTITUTE™ [living-future.org/declare](https://www.living-future.org/declare)

**Life expectancy + end of life options**  
*How long will this product last + what do you do with it when you're done with it?*

**VOC info**  
*Does this product off-gas?*

### DECLARE: PRODUCT TRANSPARENCY IN MANUFACTURING

**Declare** is the only label that combines material transparency and the Red List. It distills complex chemical ingredient information into an easy to read label. Declare helps specifiers find Red List Free products, which are healthy for people, the environment, and communities.

A product's compliance with the LBC Red List is represented on the Declare® label by the product's Declaration Status. There are three Declaration Statuses:

- **DECLARED (RLD)** products disclose 100% of ingredients present in the final product, but contain one or more Red List chemicals that are not covered by an approved exception.
- **LBC RED LIST APPROVED (RLA)** products disclose a minimum of 99% of ingredients present in the final product and meet the LBC Red List Imperative requirements through one or more approved exceptions.
- **LBC RED LIST FREE (RLF)** products disclose 100% of ingredients present at or above 100 ppm (0.01%) in the final product and do not contain any Red List chemicals.

Need more information? Visit [ocl.com/declare](https://www.ocl.com/declare) to learn more..

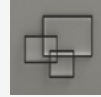
## COMMON MODIFICATIONS

### WE'RE BUILT FOR OUT-OF-THE-BOX THINKERS.

Nearly 50% of OCL fixtures we manufacture have some type of modification. Here is a list of common modifications we frequently produce. **Please contact the factory for modifications specific to your fixture or project.**

Need some help? Simply send your questions to us at [OCL-Quotes@ocl.com](mailto:OCL-Quotes@ocl.com)

- BIOS, TUNABLE WHITE, WARM-DIM, & RGBW LIGHT SOURCES
- SPECIFIC LUMEN OUTPUT
- MODIFIED CLUSTERS OR CONFIGURATIONS / MULTI-DROP CANOPIES
- VARIOUS SHAPES, ARCS, AND CURVES FOR LINEAR PROFILES AND RINGS
- CEILING OR SURFACE MOUNTING
- LARGE SCALE MODIFICATIONS
- RAL, PANTONE, BRAND-SPECIFIC, RETIRED OCL COLOR, OR CUSTOM FINISHES



- EMERGENCY BATTERY BACKUP OR INVERTER OPTIONS
- REMOTE DRIVERS / EXTENDED DISTANCE REMOTE DRIVERS
- DIMMING TO 0.1% (DIM TO DARK)
- NON-STANDARD SIZES OR LENGTHS
- NON-STANDARD CANOPY, BODY AND/OR CORD COLORS
- SEISMIC AND/OR ANTI-SWAY SYSTEMS
- RIGID STEMS
- MODIFIED OVERALL HEIGHTS (LONGER OR SHORTER OAH)
- UPLIGHT ADDITIONS
- LASER ETCHING, ENGRAVING, AND CUTOUTS

The drawings and specifications and ideas, designs and arrangements represented on these drawings are and shall remain the property of OCL Architectural Lighting and no part thereof shall be copied, disclosed, to others or used in conjunction with any work or project other than the specified project for which they have been prepared and developed, without written consent of OCL. Visual contact with these plans or specifications shall constitute conclusive evidence of acceptance of these restrictions. All specifications and information subject to change without notice.