

Glowstick Diverge™

MULTIPOINT PENDANT

FEATURES


- ELEGANT & CONTEMPORARY DESIGN WITH END LIT DIFFUSER
- 7 OR 14 DROP WITH SIDE OR BOTTOM CANOPY EXITS AVAILABLE
- 4 BRAIDED COLOR CORD CHOICES
- EXCELLENT THERMAL MANAGEMENT IS ACHIEVED THROUGH AN EXTRUDED AND MACHINED ALUMINUM FIXTURE BODY
- CUSTOM CONFIGURATIONS ARE POSSIBLE
- 3 STEP LED BINNING
- FIELD REPLACEABLE LEDS AND DRIVERS
- AVAILABLE IN 80+ CRI AND 90+ CRI (R9>50)



CATALOG CODES

| | | | | | | | | | | | | | | | | | | |
|------------|---|----------------|---|-----------|---|-----------|---|----------|---|--------------|---|------------|---|----------|---|------------|---|----------|
| GS1 | - | B | - | 17 | - | CR | - | E | - | LED1 | - | UNV | - | H | - | DMO | - | J |
| SERIES | | HANGING SYSTEM | | SIZE | | DIFFUSER | | FINISH | | LIGHT SOURCE | | VOLTAGE | | OAH | | CONTROL | | OPTIONS |

SPECIFY CATALOG CODE

| A | | B | | C | D | E | | | | |
|--|--|--|------------------------------------|-----------------------------|-----------------------------|---------------------------|------------|----------------|------------|-----------------|
| SERIES | HANGING SYSTEM | | SIZE* | DIFFUSER | FINISH | | | | | |
|  GS1 GLOWSTICK | MOUNTING TYPE | | 17 | CR CLEAR ACRYLIC ROD | POWDER COAT FINISHES | | | | | |
| | P7CD | 7 DROP CLUSTER PENDANT WITH BOTTOM EXIT POWER CORDS | | | S | SILVER BRAIDED POWER CORD | BKP | BLACK | MWP | MATTE WHITE |
| | P14CD | 14 DROP CLUSTER PENDANT WITH BOTTOM EXIT POWER CORDS | | | B | BLACK BRAIDED POWER CORD | BMP | BRASS METALLIC | SGP | STEEL GRAY |
| | P7CE | 7 DROP CLUSTER PENDANT WITH SIDE EXIT POWER CORDS | | | W | WHITE BRAIDED POWER CORD | BNP | BRONZE | SMP | SILVER METALLIC |
| P14CE | 14 DROP CLUSTER PENDANT WITH SIDE EXIT POWER CORDS | C | POLISHED COPPER BRAIDED POWER CORD | BTP | BLACK TEXTURED | SWP | SKY WHITE | | | |
| | | | | | GRP | GRAPHITE | WTP | WHITE TEXTURED | | |
| | | | | | GLP | GOLDTASTIC | | | | |

| F | | | G | H | I | J |
|-------------------|--|--|--------------------|--|------------------------------|---|
| LIGHT SOURCE | | | VOLTAGE | CCL** | CONTROL | OPTIONS |
| LED OUTPUT | COLOR TEMP (80+ CRI) | COLOR TEMP (90+ CRI) | UNV 120-277 | 120 240 360 | DMO 0-10V DIMMING 10% | HCL HEX CELL LOUVER |
| LED1 | 27K 30K 35K 40K | 927K 930K 935K 940K | | | | ULD UL DAMP LABEL |
| | | | | | | 7MPH 7 ADDITIONAL MULTIPOINT HOOKS |
| | | | | | | 14MPH 14 ADDITIONAL MULTIPOINT HOOKS |
| | | | | | | MOD MODIFIED LUMINAIRE (CONTACT LOCAL REP) |

SAMPLE CODE: GB1-P7CDB-04-FS-BTP-LED1/35K-UNV-44-DM1

*17" canopy standard

**Fixture will ship with one of three standard Cord Lengths (CCL) - 120", 240" or 360" field adjustable to the desired height and multipoint configuration.

MODS, NOTES, & COMMENTS

UP TO **70** LM/W

| | | 7 CLUSTER | 14 CLUSTER |
|-------------|------------------|-----------|------------|
| LED1 | LUMENS DELIVERED | 2450 | 4900 |
| | SYSTEM WATTAGE | 35 | 70 |

This chart was created for a 35K color temp. Multiply by 0.95 for 27K color temp, 0.97 for 30K color temp, and 1.03 for 40K color temp.

Values shown for 80+ CRI. For 90+ CRI lumens use 0.90 multiplier.



This product meets the material restrictions of Article 4 of the RoHS Directive (2011/65/EU), including Commission Delegated Directive 2015/863

HANGING SYSTEM

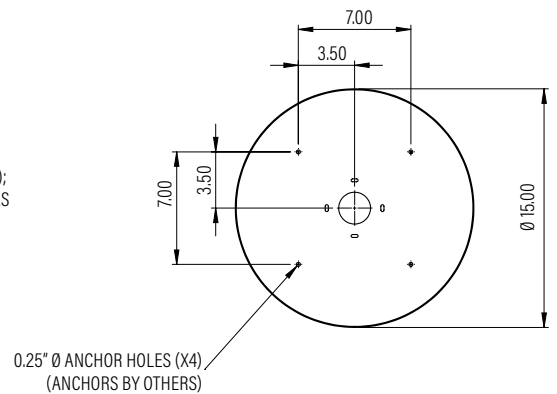
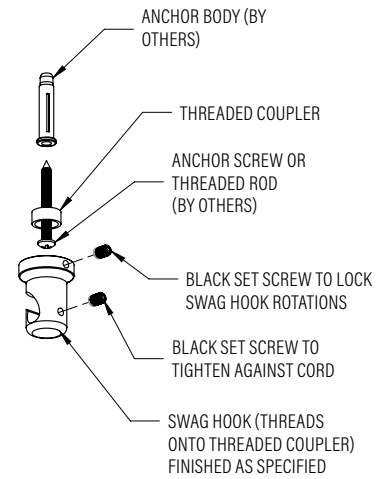
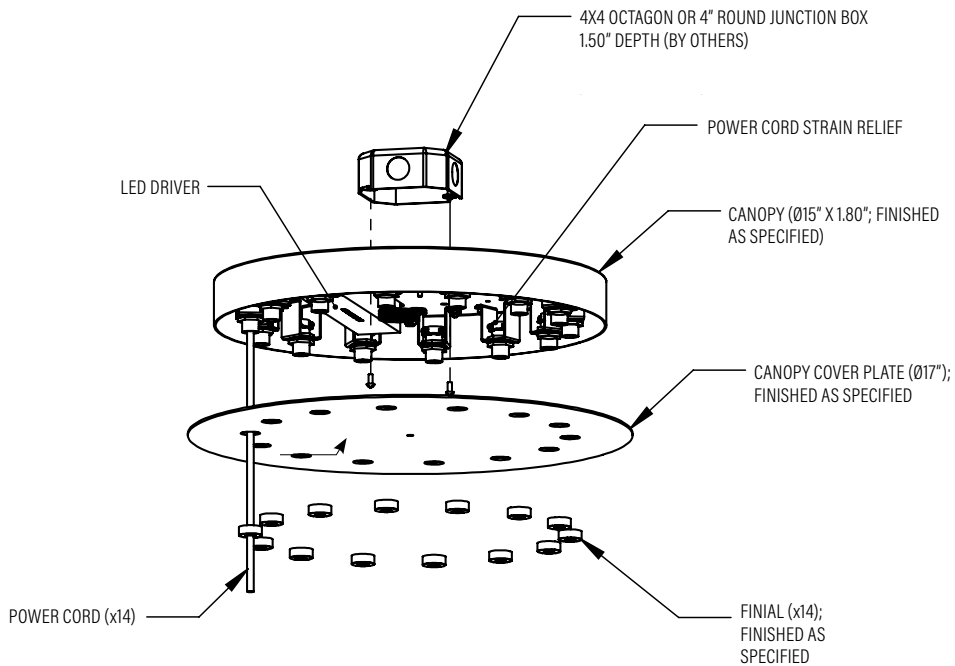
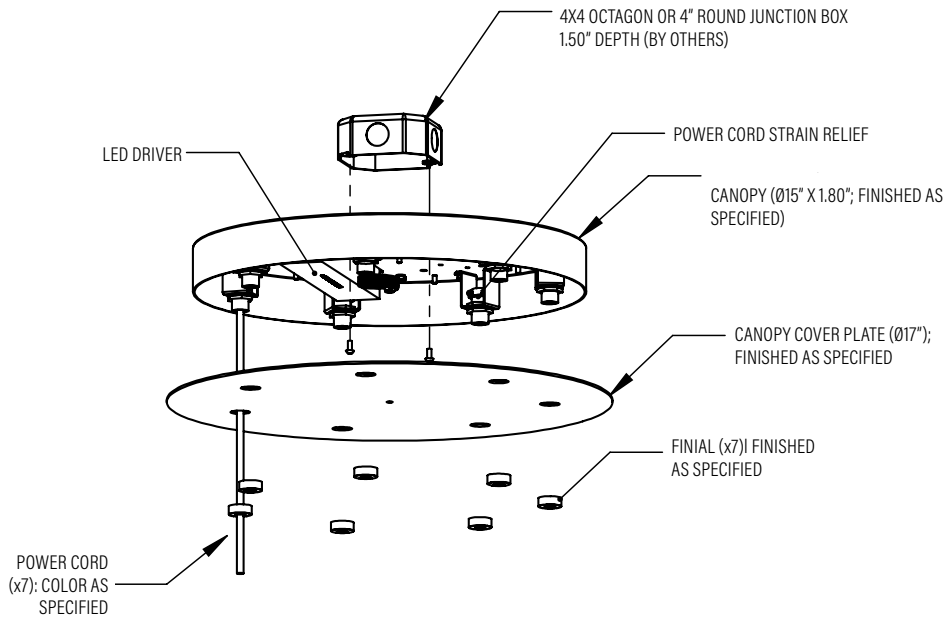
- P7CD** 7 DROP CLUSTER PENDANT WITH BOTTOM EXIT POWER CORDS
- PI4CD** 14 DROP CLUSTER PENDANT WITH BOTTOM EXIT POWER CORDS

MOUNTING INFORMATION CHART

| LUMINAIRE | LUMINAIRE WEIGHT | MOUNTING POINTS |
|--------------|------------------|-----------------|
| P7CD | 30 LBS | 1 |
| PI4CD | 50 LBS | 1 |

Canopy requires additional anchors (by others)

Fixture will ship with one of three standard Cord Lengths (**CCL**) - 120", 240" or 360" - field adjustable to the desired height and multipoint configuration



CANOPY TOP VIEW

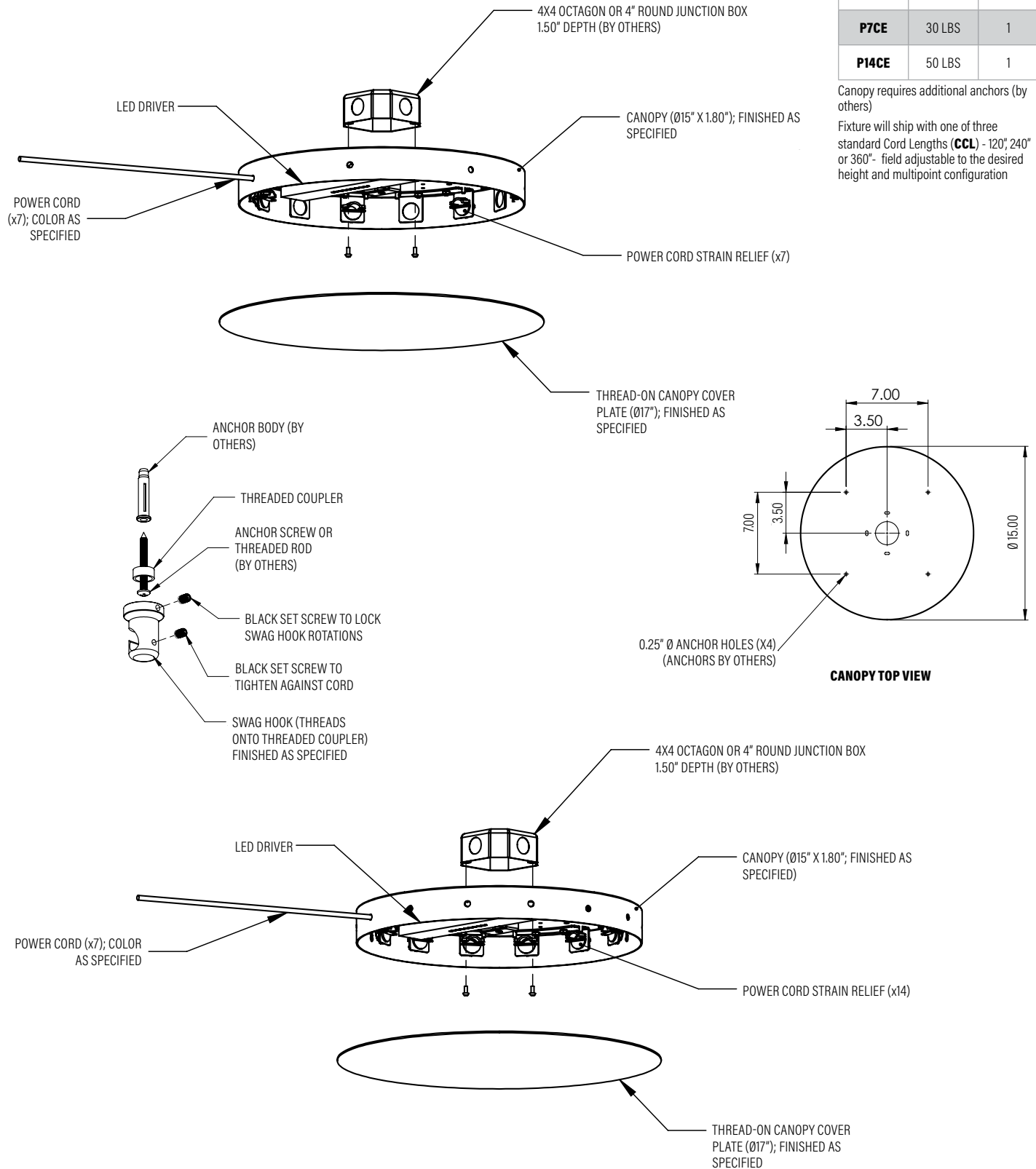
HANGING SYSTEM

- P7CE** 7 DROP CLUSTER PENDANT WITH SIDE EXIT POWER CORDS
- PI4CE** 14 DROP CLUSTER PENDANT WITH SIDE EXIT POWER CORDS

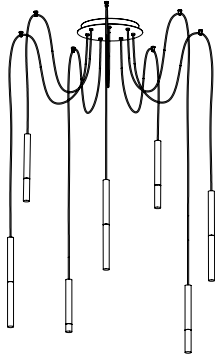
MOUNTING INFORMATION CHART

| LUMINAIRE | LUMINAIRE WEIGHT | MOUNTING POINTS |
|--------------|------------------|-----------------|
| P7CE | 30 LBS | 1 |
| PI4CE | 50 LBS | 1 |

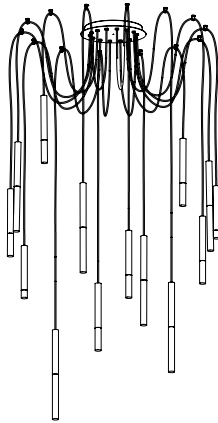
Canopy requires additional anchors (by others)
 Fixture will ship with one of three standard Cord Lengths (**CCL**) - 120", 240" or 360" - field adjustable to the desired height and multipoint configuration



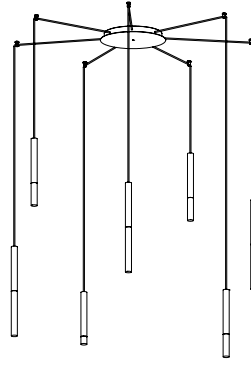
SIZE AND SECTIONS



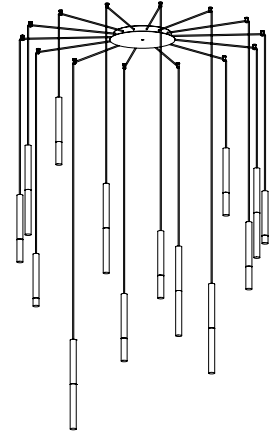
P7CD
WT: 30 LBS
 12" BODY x7
 2" ACRYLIC x1
 6" ACRYLIC x3
 12" ACRYLIC x3



P14CD
WT: 50 LBS
 12" BODY x14
 2" ACRYLIC x2
 6" ACRYLIC x6
 12" ACRYLIC x6



P7CE
WT: 30 LBS
 12" BODY x7
 2" ACRYLIC x1
 6" ACRYLIC x3
 12" ACRYLIC x3



P14CE
WT: 50 LBS
 12" BODY x14
 2" ACRYLIC x2
 6" ACRYLIC x6
 12" ACRYLIC x6

DIFFUSER

ACRYLIC FINISHES:



CR CLEAR ACRYLIC ROD

METALLIC POWDER COAT FINISHES:



SMP
SILVER



GRP
GRAPHITE



SGP
STEEL GRAY



GLP
GOLDTASTIC



BMP
BRASS



BNP
BRONZE

SOLID POWDER COAT FINISHES:



SWP
SKY WHITE



MWP
MATTE WHITE



BKP
BLACK

TEXTURED POWDER COAT FINISHES:



BTP
BLACK TEXTURED



WTP
WHITE TEXTURED

CORD COLOR OPTIONS



S
SILVER
BRAIDED
POWER
CORD



B
BLACK
BRAIDED
POWER
CORD



W
WHITE
BRAIDED
POWER
CORD



C
POLISHED
COPPER
BRAIDED
POWER
CORD

RAL, Pantone® or custom finishes are also available.

These colors are for reference only. Please be aware that colors may vary per monitor. Contact your local rep for finish samples or with any questions.

LIGHT SOURCE

| | | 7 CLUSTER | 14 CLUSTER |
|-------------|------------------|-----------|------------|
| LED1 | LUMENS DELIVERED | 2450 | 4900 |
| | SYSTEM WATTAGE | 35 | 70 |

This chart was created for a 35K color temp. Multiply by 0.95 for 27k color temp, 0.97 for 30k color temp, and 1.03 for 40k color temp.

Values shown for 80+ CRI. For 90+ CRI lumens use 0.90 multiplier.

| STANDARD COLOR TEMPERATURE OPTIONS | CRI (RA) | |
|------------------------------------|----------|-----|
| 2700K | 80+ | 90+ |
| 3000K | 80+ | 90+ |
| 3500K | 80+ | 90+ |
| 4000K | 80+ | 90+ |

OCL recommends placing individual IES files in your models where the drops will be located to determine light output in your space base on your unique configuration of the fixture.

Please see website IES files. Note the Diverge IES files vary from the single drop IES files due to the reduced wattage per drop for Diverge.

CONTROL

DMO 0-10V DIMMING 10%

- 0-10V DIMMING
- 10% MINIMUM DIM LEVEL
- ELECTRONIC DRIVER
- POWER FACTOR >0.9
- THD <20%
- MINIMUM AMBIENT OPERATING TEMPERATURE -31°F
- FIELD REPLACEABLE

OPTIONS

HCL HEX CELL LOUVER

- PROVIDES A 45° VISUAL CUT-OFF TO HELP REDUCE GLARE

ULD DAMP LABEL LUMINAIRE

- MAY BE USED IN AN OUTDOOR AREA THAT IS PROTECTED FROM DIRECT CONTACT WITH WIND, RAIN, SNOW OR EXCESSIVE MOISTURE

MOD MODIFIED LUMINAIRE

- LUMINAIRE IS MODIFIED FROM STANDARD OPTIONS; CONTACT LOCAL REP FOR MORE INFORMATION

SPECIFICATIONS

CONSTRUCTION

- HOUSING IS EXTRUDED AND MACHINED ALUMINUM
- DIFFUSER IS CLEAR ACRYLIC
- CANOPY IS SPUN ALUMINUM
- HARDWARE IS ZINC PLATED OR STAINLESS STEEL
- CORD IS PREMIUM BRAIDED CLOTH OVER INSULATED HOUSING

MOUNTING

- ALL MOUNT TO 4X4" OCTAGON OR 4" ROUND J-BOX (BY OTHERS)
- CANOPY REQUIRES ADDITIONAL ANCHORS (BY OTHERS)

ELECTRICAL

- CONSTANT VOLTAGE DIMMING ELECTRONIC DRIVER(S), COMES STANDARD WITH 0-10V DOWN TO 10%
- OCL PROPRIETARY LED ARRAYS USE NICHIA 757 DIODES
- 80+ CRI = 80 RA, R9 > 0 (10-15 TYP.)
- 90+ CRI = 90 RA, R9 > 50
- LUMINAIRE CONNECTS TO BUILDING SUPPLY (120V-277V 50/60HZ) UNLESS DRIVERS ARE REMOTE

LISTING

- ETL LISTED TO UL 1598 FOR DRY LOCATIONS, DAMP LOCATION LISTED IS OPTION

WARRANTY

- 5 YEAR; ALL ELECTRICAL COMPONENTS RETAIN THE MANUFACTURER'S WARRANTY

SUSTAINABILITY

- THIS PRODUCT MEETS THE MATERIAL RESTRICTIONS OF ARTICLE 4 OF THE **ROHS** DIRECTIVE (2011/65/EU), INCLUDING COMMISSION DELEGATED DIRECTIVE 2015/863

The drawings and specifications and ideas, designs and arrangements represented on these drawings are and shall remain the property of OCL Architectural Lighting and no part thereof shall be copied, disclosed, to others or used in conjunction with any work or project other than the specified project for which they have been prepared and developed, without written consent of OCL. Visual contact with these plans or specifications shall constitute conclusive evidence of acceptance of these restrictions. All specifications and information subject to change without notice.