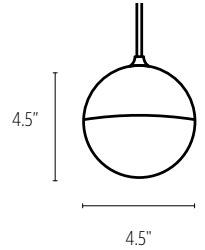


Glowball Diverge™

MULTIPOINT PENDANT




FEATURES

- ELEGANT & CONTEMPORARY SPHERE
- ROBUST FROSTED SILICONE OUTER DIFFUSER; ACRYLIC INNER DIFFUSER
- 7 OR 14 DROP WITH SIDE OR BOTTOM CANOPY EXITS AVAILABLE
- 4 BRAIDED COLOR CORD CHOICES
- CUSTOM CONFIGURATIONS ARE POSSIBLE
- 3 STEP LED BINNING
- DIE-CAST ALUMINUM BODY
- FIELD REPLACEABLE LEDS AND DRIVERS
- AVAILABLE IN 80+ CRI AND 90+ CRI (R9>50)



CATALOG CODES

GB1	-	B	-	17	-	FS	-	E	-	LED1	-	UNV	-	H	-	DMO	-	J
SERIES		HANGING SYSTEM		SIZE		DIFFUSER		FINISH		LIGHT SOURCE		VOLTAGE		OAH		CONTROL		OPTIONS

SPECIFY CATALOG CODE		A	B	C	D	E		
SERIES	HANGING SYSTEM		SIZE*	DIFFUSER	STANDARD FINISHES	PREMIUM FINISHES		
 <p>GB1 GLOWBALL</p>	MOUNTING TYPE		17	FS FROSTED SILICONE	POWDER COAT FINISHES BKP BLACK BMP BRASS METALLIC BNP BRONZE BTP BLACK TEXTURED GRP GRAPHITE GLP GOLDTASTIC MWP MATTE WHITE SGP STEEL GRAY SMP SILVER METALLIC SWP SKY WHITE WTP WHITE TEXTURED	METAL FINISHES BAL BRUSHED ALUMINUM EVERWOODS POWDER COAT FINISHES (BODY ONLY) WPDP WHITE PINE PNDP PINE CRDP CHERRY TKDP TEAK WLDP WALNUT DLDP DARK WALNUT LWDP LIGHT BARNWOOD DWDP DARK BARNWOOD		
	P7CD	7 DROP CLUSTER PENDANT WITH BOTTOM EXIT POWER CORDS					S	SILVER BRAIDED POWER CORD
	P14CD	14 DROP CLUSTER PENDANT WITH BOTTOM EXIT POWER CORDS					B	BLACK BRAIDED POWER CORD
	P7CE	7 DROP CLUSTER PENDANT WITH SIDE EXIT POWER CORDS					W	WHITE BRAIDED POWER CORD
P14CE	14 DROP CLUSTER PENDANT WITH SIDE EXIT POWER CORDS	C	POLISHED COPPER BRAIDED POWER CORD					
LIGHT SOURCE		VOLTAGE		CCL*	CONTROL	OPTIONS		
LED OUTPUT LED1	COLOR TEMP (80+ CRI) 27K 30K 35K 40K	COLOR TEMP (90+ CRI) 927K 930K 935K 940K	UNV 120-277	120 240 360	DMO 0-10V DIMMING 10%	ULD UL DAMP LABEL BIOS BIOS SKYBLUE™ OR BIOS SKLYBLUE™ DYNAMIC LIGHT ENGINE** 7MPH 7 ADDITIONAL MULTIPOINT HOOKS 14MPH 14 ADDITIONAL MULTIPOINT HOOKS MOD MODIFIED LUMINAIRE (CONTACT LOCAL REP)		

SAMPLE CODE: GB1-P7CDB-04-FS-BTP-LED1/935K-UNV-120-DM1

*17" standard canopy finished as specified. Fixtures using any Everwoods finish, canopy will be MWP unless specified

*Fixture will ship with one of three standard Cord Lengths (CCL) - 120", 240" or 360" field adjustable to the desired height and multipoint configuration.

**Contact factory for BIOS SkyBlue® or BIOS SkyBlue® Dynamic light engine and control options.

MODS, NOTES, & COMMENTS

UP TO 70 LM/W

		7 CLUSTER	14 CLUSTER
LED1	LUMENS DELIVERED	2450	4900
	SYSTEM WATTAGE	35	70

This chart was created for a 35K color temp. Multiply by 0.95 for 27k color temp, 0.97 for 30k color temp, and 1.03 for 40k color temp.

Values shown for 80+ CRI. For 90+ CRI lumens use 0.90 multiplier.



This product meets the material restrictions of Article 4 of the RoHS Directive (2011/65/EU), including Commission Delegated Directive 2015/863

HANGING SYSTEM

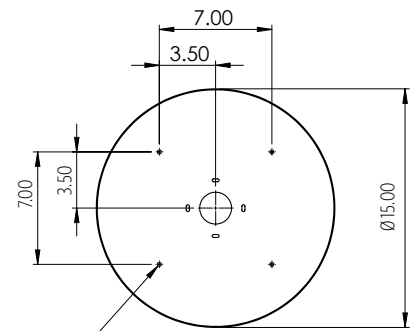
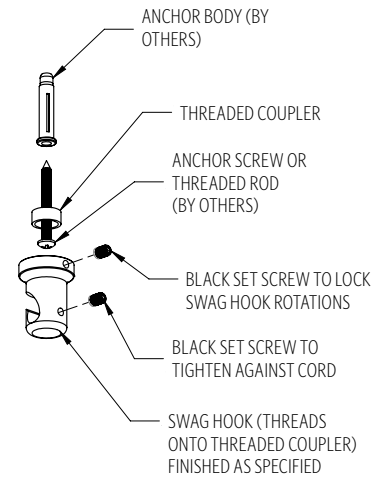
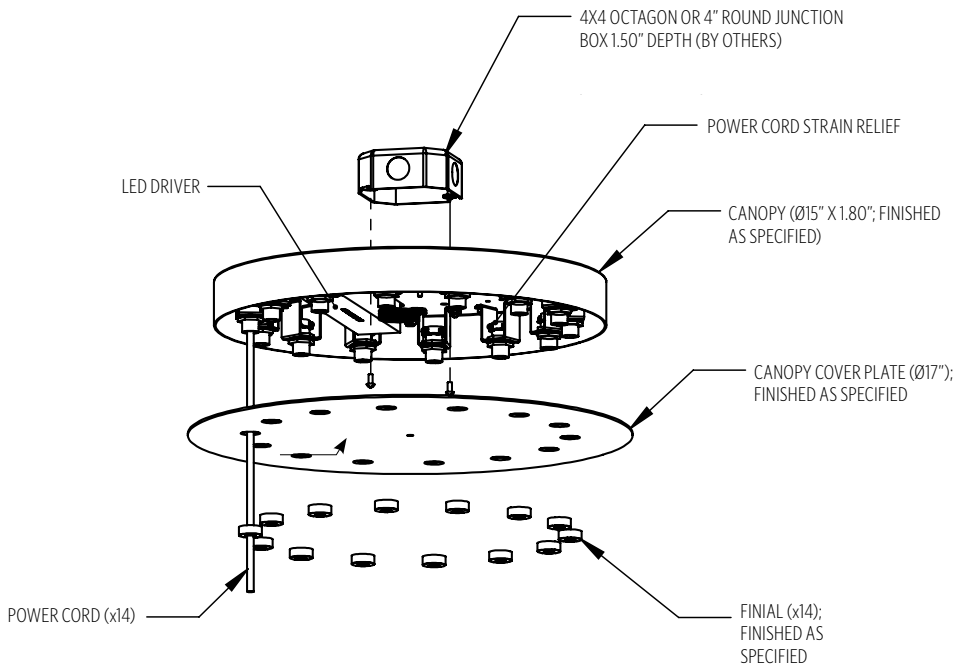
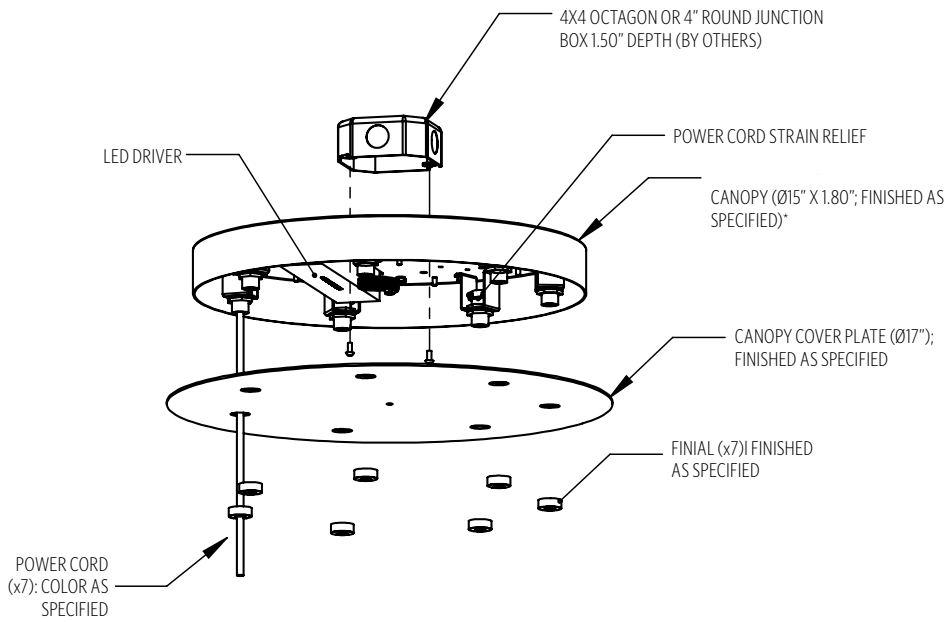
- P7CD** 7 DROP CLUSTER PENDANT WITH BOTTOM EXIT POWER CORDS
P14CD 14 DROP CLUSTER PENDANT WITH BOTTOM EXIT POWER CORDS

MOUNTING INFORMATION CHART

LUMINAIRE	LUMINAIRE WEIGHT	JBOX MOUNTING POINTS
P7CD	30 LBS	1
P14CD	50 LBS	1

*Canopy finished as specified. Fixtures using any **Everwoods finish**, canopy will be **MWP** unless specified; Canopy requires additional anchors (by others)

Fixture will ship with one of three standard Cord Lengths (**CCL**) - 120", 240" or 360" field adjustable to the desired height and multipoint configuration.



CANOPY TOP VIEW

HANGING SYSTEM

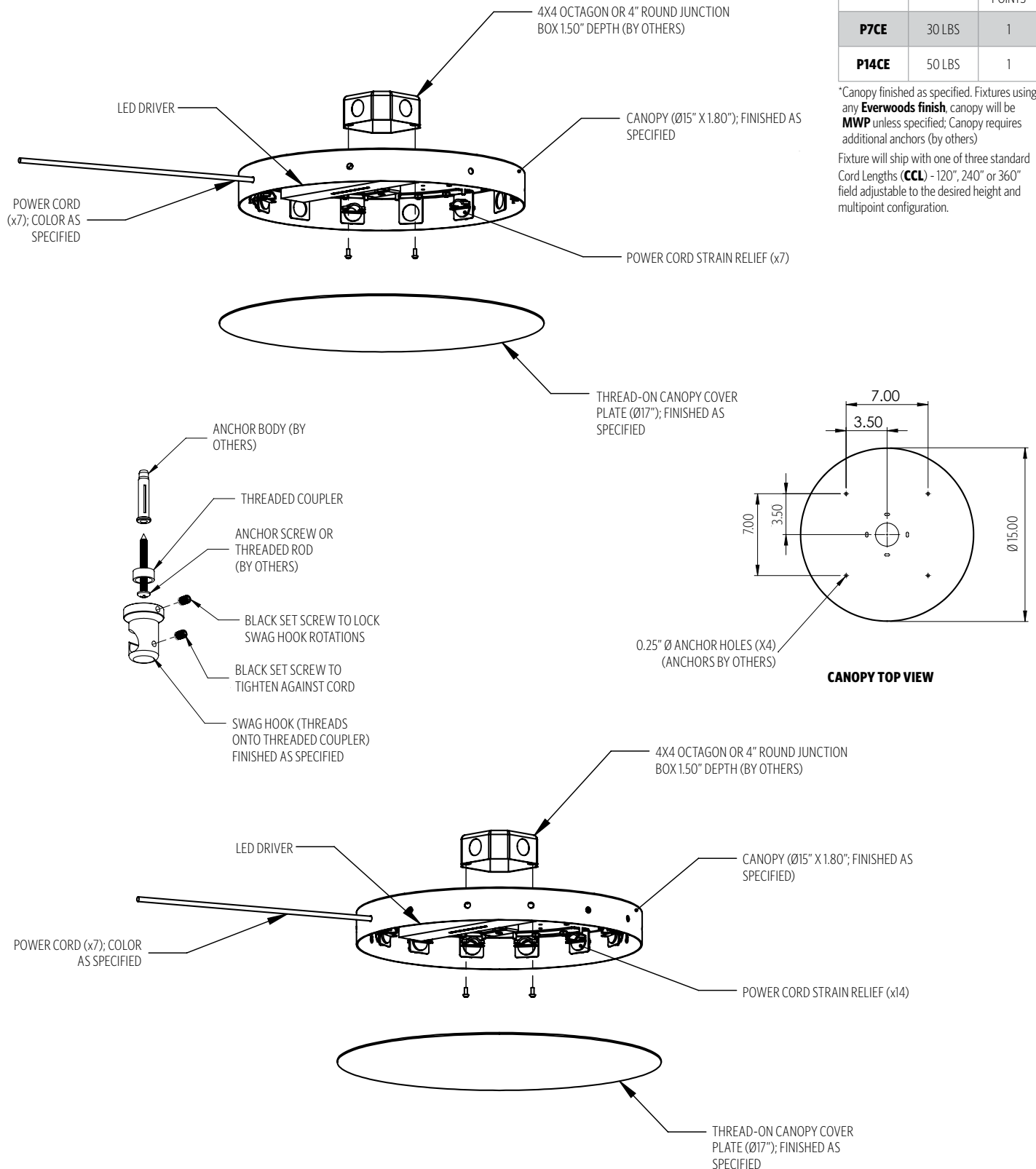
- P7CE** 7 DROP CLUSTER PENDANT WITH SIDE EXIT POWER CORDS
P14CE 14 DROP CLUSTER PENDANT WITH SIDE EXIT POWER CORDS

MOUNTING INFORMATION CHART

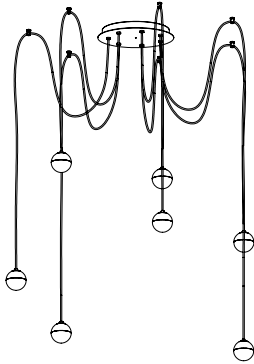
LUMINAIRE	LUMINAIRE WEIGHT	JBOX MOUNTING POINTS
P7CE	30 LBS	1
P14CE	50 LBS	1

*Canopy finished as specified. Fixtures using any **Everwoods finish**, canopy will be **MWP** unless specified; Canopy requires additional anchors (by others)

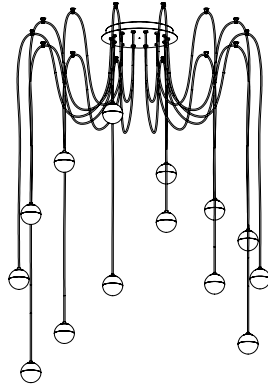
Fixture will ship with one of three standard Cord Lengths (**CCL**) - 120", 240" or 360" field adjustable to the desired height and multipoint configuration.



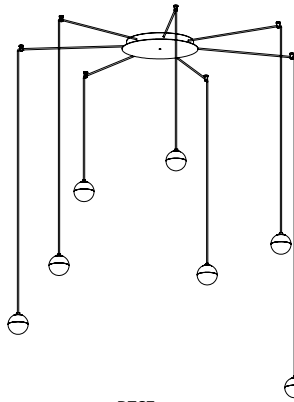
SIZE AND SECTIONS



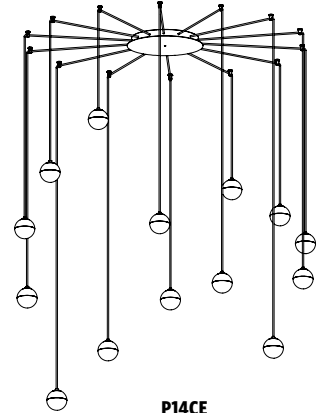
P7CD
WT.
30 LBS



P14CD
WT.
50 LBS



P7CE
WT.
30 LBS



P14CE
WT.
50 LBS

DIFFUSER

FINISHES:



FS FROSTED SILICONE

RAL®, Pantone® or custom finishes are also available.

These colors are for reference only. Please be aware that colors may vary per monitor. Contact your local rep for finish samples or with any questions.

METALLIC POWDER COAT FINISHES:



SMP
SILVER



GRP
GRAPHITE



SGP
STEEL GRAY



GLP
GOLDTASTIC



BMP
BRASS



BNP
BRONZE

SOLID POWDER COAT FINISHES:



SWP
SKY WHITE



MWP
MATTE
WHITE



BKP
BLACK

TEXTURED POWDER COAT FINISHES:



BTP
BLACK
TEXTURED



WTP
WHITE
TEXTURED

EVERWOODS POWDER COAT COLLECTION:



WPDP
WHITE PINE



PNDP
PINE



CRDP
CHERRY



TKDP
TEAK



WLDP
WALNUT



DLDP
DARK
WALNUT



LWDP
LIGHT
BARNWOOD



DWDP
DARK
BARNWOOD

CORD COLOR OPTIONS



S
SILVER
BRAIDED



B
BLACK
BRAIDED



W
WHITE
BRAIDED



C
POLISHED
COPPER
BRAIDED

LIGHT SOURCE

		7 CLUSTER	14 CLUSTER
LED1	LUMENS DELIVERED	2450	4900
	SYSTEM WATTAGE	35	70

This chart was created for a 35K color temp. Multiply by 0.95 for 27k color temp, 0.97 for 30k color temp, and 1.03 for 40k color temp.

Values shown for 80+ CRI. For 90+ CRI lumens use 0.90 multiplier.

STANDARD COLOR TEMPERATURE OPTIONS	CRI (RA)	
2700K	80+	90+
3000K	80+	90+
3500K	80+	90+
4000K	80+	90+

OCL recommends placing individual IES files in your models where the drops will be located to determine light output in your space base on your unique configuration of the fixture.

Please see website IES files. Note the Diverge IES files vary from the single drop IES files due to the reduced wattage per drop for Diverge.

CONTROL

DMO 0-10V DIMMING 10%

- 0-10V DIMMING
- 10% MINIMUM DIM LEVEL
- ELECTRONIC DRIVER
- POWER FACTOR >0.9
- THD <20%
- MINIMUM AMBIENT OPERATING TEMPERATURE -31°F
- FIELD REPLACEABLE

OPTIONS

ULD DAMP LABEL LUMINAIRE

- MAY BE USED IN AN OUTDOOR AREA THAT IS PROTECTED FROM DIRECT CONTACT WITH WIND, RAIN, SNOW OR EXCESSIVE MOISTURE

MOD MODIFIED LUMINAIRE

- LUMINAIRE IS MODIFIED FROM STANDARD OPTIONS; CONTACT LOCAL REP FOR MORE INFORMATION

BIOS

- **BIOS SKYBLUE™ DYNAMIC** LIGHT ENGINE IS DIMMABLE AND FEATURES A SIMPLE APPROACH TO CIRCADIAN LIGHTING CONTROLS.
- WHEN PAIRED WITH THE BIOS BIO-DIMMING MODULE, IT OPERATES USING ANY SINGLE CHANNEL CONSTANT CURRENT (CC) LED DRIVER AND CAN BE USED WITH ANY STANDARD DIMMING INTERFACE/PROTOCOL (0-10V, ELV, DMX, WIRELESS) AND COULD WORK WITH EXISTING TWO-CHANNEL CONTROL SYSTEMS AS WELL.
- VISIT [OCL.COM/BIOS](https://www.ocl.com/bios) FOR MORE INFORMATION

SPECIFICATIONS

CONSTRUCTION

- HOUSING IS DIE-CAST ALUMINUM
- DIFFUSER IS FROSTED SILICONE
- CANOPY IS SPUN ALUMINUM
- HARDWARE IS ZINC PLATED OR STAINLESS STEEL
- CORD IS PREMIUM BRAIDED CLOTH OVER INSULATED HOUSING

MOUNTING

- ALL MOUNT TO 4X4" OCTAGON OR 4" ROUND J-BOX (BY OTHERS)
- CANOPY REQUIRES ADDITIONAL ANCHORS (BY OTHERS)

ELECTRICAL

- CONSTANT VOLTAGE DIMMING ELECTRONIC DRIVER(S), COMES STANDARD WITH 0-10V DOWN TO 10%
- OCL PROPRIETARY LED ARRAYS USE NICHIA 757 DIODES
- 80+ CRI = 80 RA, R9 > 0 (10-15 TYP.)
- 90+ CRI = 90 RA, R9 > 50
- LUMINAIRE CONNECTS TO BUILDING SUPPLY (120V-277V 50/60HZ) UNLESS DRIVERS ARE REMOTE

LISTING

- ETL LISTED TO UL 1598 FOR DRY LOCATIONS, DAMP LOCATION LISTED IS OPTION

WARRANTY

- 5 YEAR; ALL ELECTRICAL COMPONENTS RETAIN THE MANUFACTURER'S WARRANTY

SUSTAINABILITY

- **DECLARE:** DECLARE IS AN INGREDIENT LABEL DISCLOSURE FOR BUILDING PRODUCTS THAT IS DESIGNED TO HELP SPECIFIERS QUICKLY IDENTIFY PRODUCTS THAT SUPPORT HUMAN AND ENVIRONMENTAL HEALTH. LEARN MORE AT [OCL.COM/DECLARE](https://www.ocl.com/declare)
- THIS PRODUCT MEETS THE MATERIAL RESTRICTIONS OF ARTICLE 4 OF THE **ROHS** DIRECTIVE (2011/65/EU), INCLUDING COMMISSION DELEGATED DIRECTIVE 2015/863
- **BIOS** LIGHTING CONTRIBUTES TOWARD THE CIRCADIAN LIGHTING DESIGN FEATURE 54 UNDER THE **WELL BUILDING STANDARD™ V1** AND FEATURE L03 UNDER THE **WELL BUILDING STANDARD V2**

DECLARE

Declare.

Glowball
OCL Architectural Lighting

Final Assembly: St. Louis, Missouri, USA
Life Expectancy: 10 Year(s)
End of Life Options: Recyclable (78), Landfill (22)

Ingredients:
Small Electrical Component¹; Aluminum; Steel; Steel manufacture; chemicals; Cadmium; Quartz; Dimethicone; Silicones and Silicones; di-Me; reaction products with silica; Zinc; Aluminum hydroxide; Iron; Distillates (petroleum), hydrotreated heavy naphthenic; 2-Propenoic acid, 2-methyl-, methyl ester; polymer with ethyl 2-propenoate; Calcium carbonate; Trimethoxy(methyl)silane; Copper; Vinyl silicone polymer; Nickel (Metallic); Silica, [(ethenyldimethylsilyloxy)- and (trimethylsilyloxy)-]modified; Nylon 6; Silicic acid (H4SiO4); tetraethyl ester; reaction products with chlorodimethylsilane; Tin; Organic Poly[imino(1,6-dioxo-1,6-hexanedyl)imino-1,6-hexanedyl]

¹LBC Temp Exception RL-002 - Small Electrical Components

Living Building Challenge Criteria:

I-13 Red List:
 LBC Red List Free % Disclosed: 100% at 100ppm
 LBC Red List Approved VOC Content: Not Applicable
 Declared

I-10 Interior Performance: Not Applicable
I-14 Responsible Sourcing: Not Applicable

OCL-0003
EXP. 01 OCT 2024
Original Issue Date: 2023

THIRD PARTY VERIFIED

MANUFACTURE CLAIMS VERIFIED BY: SCS GLOBAL SERVICES
INTERNATIONAL LIVING FUTURE INSTITUTE™ [living-future.org/declare](https://www.living-future.org/declare)

Final assembly location
Where was the product made?

Chemical ingredients
What is in this product?

Red List compliance
Are there Red List ingredients in this product?

Life expectancy + end of life options
How long will this product last + what do you do with it when you're done with it?

VOC info
Does this product off-gas?

DECLARE: PRODUCT TRANSPARENCY IN MANUFACTURING

Declare is the only label that combines material transparency and the Red List. It distills complex chemical ingredient information into an easy to read label. Declare helps specifiers find Red List Free products, which are healthy for people, the environment, and communities.

A product's compliance with the LBC Red List is represented on the Declare® label by the product's Declaration Status. There are three Declaration Statuses:

- **DECLARED (RLD)** products disclose 100% of ingredients present in the final product, but contain one or more Red List chemicals that are not covered by an approved exception.
- **LBC RED LIST APPROVED (RLA)** products disclose a minimum of 99% of ingredients present in the final product and meet the LBC Red List Imperative requirements through one or more approved exceptions.
- **LBC RED LIST FREE (RLF)** products disclose 100% of ingredients present at or above 100 ppm (0.01%) in the final product and do not contain any Red List chemicals.

Need more information? Visit [ocl.com/declare](https://www.ocl.com/declare) to learn more.

COMMON MODIFICATIONS

WE'RE BUILT FOR OUT-OF-THE-BOX THINKERS.

Nearly 50% of OCL fixtures we manufacture have some type of modification. Here is a list of common modifications we frequently produce. **Please contact the factory for modifications specific to your fixture or project.**

Need some help? Simply send your questions to us at OCL-Quotes@ocl.com

- BIOS, TUNABLE WHITE, WARM-DIM, & RGBW LIGHT SOURCES
- SPECIFIC LUMEN OUTPUT
- MODIFIED CLUSTERS OR CONFIGURATIONS / MULTI-DROP CANOPIES
- VARIOUS SHAPES, ARCS, AND CURVES FOR LINEAR PROFILES AND RINGS
- CEILING OR SURFACE MOUNTING
- LARGE SCALE MODIFICATIONS
- RAL, PANTONE, BRAND-SPECIFIC, RETIRED OCL COLOR, OR CUSTOM FINISHES



- EMERGENCY BATTERY BACKUP OR INVERTER OPTIONS
- REMOTE DRIVERS / EXTENDED DISTANCE REMOTE DRIVERS
- DIMMING TO 0.1% (DIM TO DARK)
- NON-STANDARD SIZES OR LENGTHS
- NON-STANDARD CANOPY, BODY AND/OR CORD COLORS
- SEISMIC AND/OR ANTI-SWAY SYSTEMS
- RIGID STEMS
- MODIFIED OVERALL HEIGHTS (LONGER OR SHORTER OAH)
- UPLIGHT ADDITIONS
- LASER ETCHING, ENGRAVING, AND CUTOUTS

The drawings and specifications and ideas, designs and arrangements represented on these drawings are and shall remain the property of OCL Architectural Lighting and no part thereof shall be copied, disclosed, to others or used in conjunction with any work or project other than the specified project for which they have been prepared and developed, without written consent of OCL. Visual contact with these plans or specifications shall constitute conclusive evidence of acceptance of these restrictions. All specifications and information subject to change without notice.