

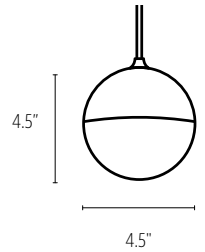


# Glowball™ Cluster

PENDANT


**FEATURES**

- ELEGANT & CONTEMPORARY SPHERE
- ROBUST FROSTED SILICONE OUTER DIFFUSER; ACRYLIC INNER DIFFUSER
- 3, 5, AND 7 DROPS AVAILABLE
- CUSTOM CONFIGURATIONS ARE POSSIBLE
- 3 STEP LED BINNING
- DIE-CAST ALUMINUM BODY
- FIELD REPLACEABLE LEDS AND DRIVERS
- AVAILABLE IN 80+ CRI AND 90+ CRI (R9>50)



**CATALOG CODES**

<b>GB1</b>	-	<b>B</b>	-	<b>C</b>	-	<b>FS</b>	-	<b>E</b>	-	<b>LED1</b>	-	<b>UNV</b>	-	<b>H</b>	-	<b>DM1</b>	-	<b>J</b>
SERIES		HANGING SYSTEM		SIZE		DIFFUSER		FINISH		LIGHT SOURCE		VOLTAGE		OAH		CONTROL		OPTIONS

SPECIFY CATALOG CODE					
A	B	C	D	E	
SERIES	HANGING SYSTEM	SIZE	DIFFUSER	STANDARD FINISHES	PREMIUM FINISHES
 <b>GB1</b> GLOWBALL	<b>P3CA</b> TRIPLE CLUSTER PENDANT WITH 3 SINGLE POWER CORDS	<b>06</b>	<b>FS</b> FROSTED SILICONE	<b>POWDER COAT FINISHES</b> <b>BKP</b> BLACK <b>BMP</b> BRASS METALLIC <b>BNP</b> BRONZE <b>BTP</b> BLACK TEXTURED <b>GRP</b> GRAPHITE <b>GLP</b> GOLDTASTIC <b>MWP</b> MATTE WHITE <b>SGP</b> STEEL GRAY <b>SMP</b> SILVER METALLIC <b>SWP</b> SKY WHITE <b>WTP</b> WHITE TEXTURED	<b>METAL FINISHES</b> <b>BAL</b> BRUSHED ALUMINUM  <b>EVERWOODS POWDER COAT FINISHES (BODY ONLY)</b> <b>WPDP</b> WHITE PINE <b>PNDP</b> PINE <b>CRDP</b> CHERRY <b>TKDP</b> TEAK <b>WLDP</b> WALNUT <b>DLDP</b> DARK WALNUT <b>LWDP</b> LIGHT BARNWOOD <b>DWDP</b> DARK BARNWOOD
	<b>P5CA</b> FIVE CLUSTER PENDANT WITH 5 SINGLE POWER CORDS				
	<b>P7CA</b> SEVEN CLUSTER PENDANT WITH 7 SINGLE POWER CORDS	<b>08</b>			
F LIGHT SOURCE		G VOLTAGE	H OAH*	I CONTROL	J OPTIONS
<b>LED OUTPUT</b> <b>LED1</b>	<b>COLOR TEMP</b> (80+ CRI) <b>27K</b> <b>30K</b> <b>35K</b> <b>40K</b>	<b>COLOR TEMP</b> (90+ CRI) <b>927K</b> <b>930K</b> <b>935K</b> <b>940K</b>	<b>UNV</b> 120-277  <b>48</b> <b>100</b> <b>144</b>	<b>DM1</b> 0-10V DIMMING 1%	<b>ULD</b> UL DAMP LABEL <b>BIOS</b> BIOS SKYBLUE™ OR BIOS SKYBLUE™ DYNAMIC LIGHT ENGINE** <b>MOD</b> MODIFIED LUMINAIRE (CONTACT LOCAL REP)

SAMPLE CODE: GB1-P3CA-06-FS-BTP-LED1/35K-UNV-44-DM1

17" standard canopy finished as specified. Fixtures using any Everwoods finish, canopy will be MWP unless specified

\*For minimum OAH, see hanging systems details. Fixture will ship with one of three standard OAH's (48", 100" or 144") field adjustable to the desired height

\*\*Contact factory for BIOS SkyBlue® or BIOS SkyBlue® Dynamic light engine and control options.

**MODS, NOTES, & COMMENTS**

UP TO **75** LM/W

		06	07	08
<b>LED1</b>	LUMENS DELIVERED	1950	3250	4550
	SYSTEM WATTAGE	24	40	56

This chart was created for a 35K color temp. Multiply by 0.95 for 27k color temp, 0.97 for 30k color temp, and 1.03 for 40k color temp.

Values shown for 80+ CRI. For 90+ CRI lumens use 0.85 multiplier.

## HANGING SYSTEM

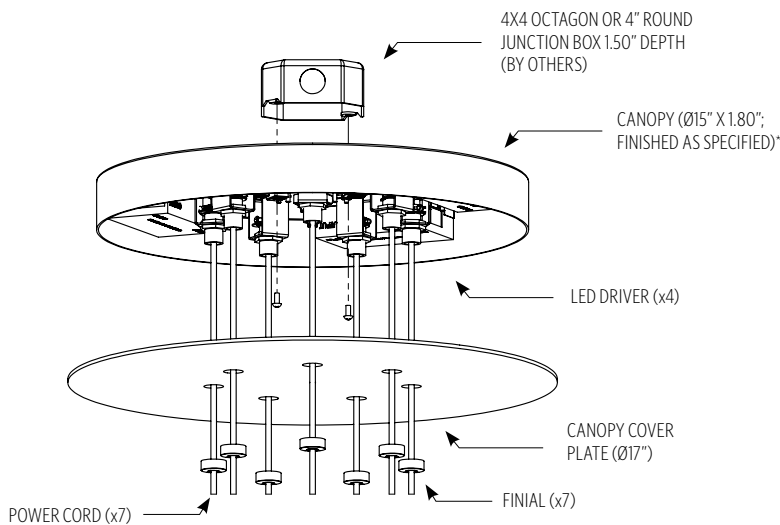
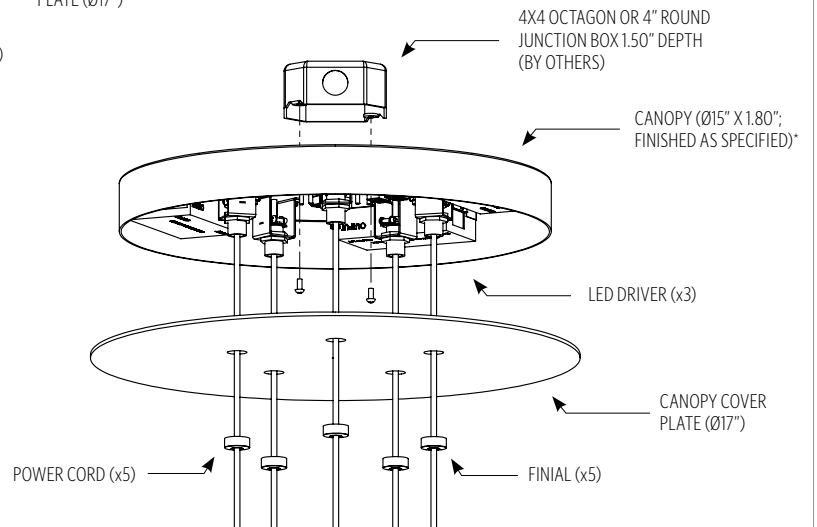
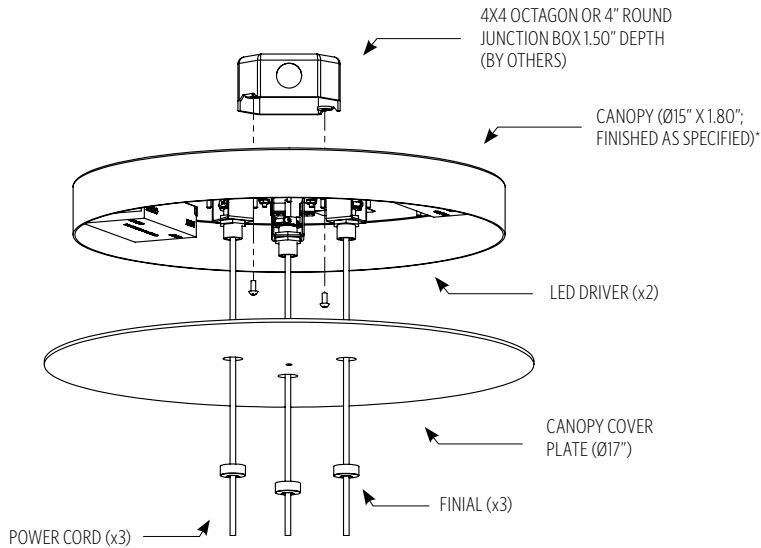
- P3CA** TRIPLE CLUSTER PENDANT WITH 3 SINGLE POWER CORDS
- P5CA** FIVE CLUSTER PENDANT WITH 5 SINGLE POWER CORDS
- P7CA** SEVEN CLUSTER PENDANT WITH 7 SINGLE POWER CORDS

### MOUNTING INFORMATION CHART

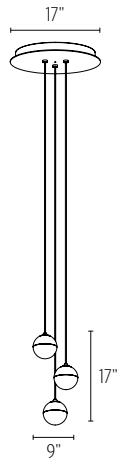
LUMINAIRE	LUMINAIRE WEIGHT	MOUNTING POINTS	MIN/MAX OAH
06	15 LBS	1	40/144"
07	20 LBS	1	40/144"
08	35 LBS	1	44/144"

\*Canopy finished as specified. Fixtures using any **Everwoods finish**, canopy will be **MWP** unless specified; Canopy requires additional anchors (by others)

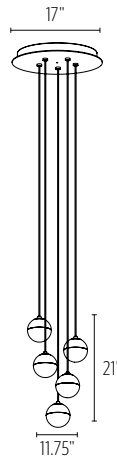
For minimum OAH, see hanging systems details. Fixture will ship with one of three standard OAH's (48", 100" or 144") field adjustable to the desired height



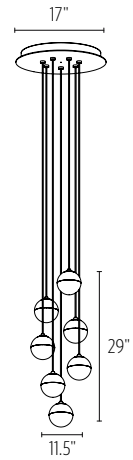
SIZE AND SECTIONS



WT.  
15 LBS



WT.  
20 LBS



WT.  
35 LBS

DIFFUSER

FINISH

FINISHES:



FS FROSTED SILICONE

METALLIC POWDER COAT FINISHES:



SMP  
SILVER



GRP  
GRAPHITE



SGP  
STEEL GRAY



GLP  
GOLDTASTIC



BMP  
BRASS



BNP  
BRONZE

PREMIUM METAL FINISHES:



BAL  
BRUSHED  
ALUMINUM

SOLID POWDER COAT FINISHES:



SWP  
SKY WHITE



MWP  
MATTE  
WHITE



BKP  
BLACK

TEXTURED POWDER COAT FINISHES:



BTP  
BLACK  
TEXTURED



WTP  
WHITE  
TEXTURED

RAL®, Pantone® or custom finishes are also available.

These colors are for reference only. Please be aware that colors may vary per monitor. Contact your local rep for finish samples or with any questions.

EVERWOODS POWDER COAT COLLECTION:



WPDP  
WHITE PINE



PNPD  
PINE



CRDP  
CHERRY



TKDP  
TEAK



WLDP  
WALNUT



DLDP  
DARK  
WALNUT



LWDP  
LIGHT  
BARNWOOD



DWDP  
DARK  
BARNWOOD

LIGHT SOURCE

		06	07	08
LED1	LUMENS DELIVERED	1950	3250	4550
	SYSTEM WATTAGE	24	40	56

This chart was created for a 35K color temp. Multiply by 0.95 for 27k color temp, 0.97 for 30k color temp, and 1.03 for 40k color temp.

Values shown for 80+ CRI. For 90+ CRI lumens use 0.85 multiplier.

STANDARD COLOR TEMPERATURE OPTIONS	CRI (RA)	
	2700K	80+
3000K	80+	90+
3500K	80+	90+
4000K	80+	90+

**\*\*PHOTOMETRIC INFORMATION PENDING\*\***

## CONTROL

### DM1 0-10V DIMMING 1%

- 0-10V DIMMING
- 1% MINIMUM DIM LEVEL
- ELECTRONIC DRIVER
- POWER FACTOR >0.9
- THD <20%
- MINIMUM AMBIENT OPERATING TEMPERATURE -31°F
- FIELD REPLACEABLE

## OPTIONS

### ULD DAMP LABEL LUMINAIRE

- MAY BE USED IN AN OUTDOOR AREA THAT IS PROTECTED FROM DIRECT CONTACT WITH WIND, RAIN, SNOW OR EXCESSIVE MOISTURE

### MOD MODIFIED LUMINAIRE

- LUMINAIRE IS MODIFIED FROM STANDARD OPTIONS; CONTACT LOCAL REP FOR MORE INFORMATION

### BIOS

- **BIOS SKYBLUE™ DYNAMIC** LIGHT ENGINE IS DIMMABLE AND FEATURES A SIMPLE APPROACH TO CIRCADIAN LIGHTING CONTROLS.
- WHEN PAIRED WITH THE BIOS BIO-DIMMING MODULE, IT OPERATES USING ANY SINGLE CHANNEL CONSTANT CURRENT (CC) LED DRIVER AND CAN BE USED WITH ANY STANDARD DIMMING INTERFACE/PROTOCOL (0-10V, ELV, DMX, WIRELESS) AND COULD WORK WITH EXISTING TWO-CHANNEL CONTROL SYSTEMS AS WELL.
- VISIT [OCL.COM/BIOS](http://OCL.COM/BIOS) FOR MORE INFORMATION

## SPECIFICATIONS

### CONSTRUCTION

- HOUSING IS DIE-CAST ALUMINUM
- DIFFUSER IS FROSTED SILICONE
- CANOPY IS SPUN ALUMINUM
- HARDWARE IS ZINC PLATED OR STAINLESS STEEL

### MOUNTING

- P3CA, P5CA, P7CA ALL MOUNT TO 4X4" OCTAGON OR 4" ROUND J-BOX (BY OTHERS)

### ELECTRICAL

- DIMMING ELECTRONIC DRIVER(S), COMES STANDARD WITH 0-10V DOWN TO 1%
- BRIDGELUX VERO 10 GEN 6 COB
- 80+ CRI = 80 RA, R9 > 0 (10-15 TYP.)
- 90+ CRI = 90 RA, R9 > 50
- LUMINAIRE CONNECTS TO BUILDING SUPPLY (120V-277V 50/60HZ) UNLESS DRIVERS ARE REMOTE

### LISTING

- ETL LISTED TO UL 1598 FOR DRY LOCATIONS, DAMP LOCATION LISTED IS OPTION

### WARRANTY

- 5 YEAR; ALL ELECTRICAL COMPONENTS RETAIN THE MANUFACTURER'S WARRANTY

### SUSTAINABILITY

- **DECLARE:** DECLARE IS AN INGREDIENT LABEL DISCLOSURE FOR BUILDING PRODUCTS THAT IS DESIGNED TO HELP SPECIFIERS QUICKLY IDENTIFY PRODUCTS THAT SUPPORT HUMAN AND ENVIRONMENTAL HEALTH. LEARN MORE AT [OCL.COM/DECLARE](http://OCL.COM/DECLARE)
- THIS PRODUCT MEETS THE MATERIAL RESTRICTIONS OF ARTICLE 4 OF THE **ROHS** DIRECTIVE (2011/65/EU), INCLUDING COMMISSION DELEGATED DIRECTIVE 2015/863
- **BIOS** LIGHTING CONTRIBUTES TOWARD THE CIRCADIAN LIGHTING DESIGN FEATURE 54 UNDER THE **WELL BUILDING STANDARD™ V1** AND FEATURE L03 UNDER THE **WELL BUILDING STANDARD V2**

## COMMON MODIFICATIONS

### WE'RE BUILT FOR OUT-OF-THE-BOX THINKERS.

Nearly 50% of OCL fixtures we manufacture have some type of modification. Here is a list of common modifications we frequently produce. **Please contact the factory for modifications specific to your fixture or project.**

Need some help? Simply send your questions to us at [OCL-Quotes@ocl.com](mailto:OCL-Quotes@ocl.com)

- BIOS, TUNABLE WHITE, WARM-DIM, & RGBW LIGHT SOURCES
- SPECIFIC LUMEN OUTPUT
- MODIFIED CLUSTERS OR CONFIGURATIONS / MULTI-DROP CANOPIES
- VARIOUS SHAPES, ARCS, AND CURVES FOR LINEAR PROFILES AND RINGS
- CEILING OR SURFACE MOUNTING
- LARGE SCALE MODIFICATIONS
- RAL, PANTONE, BRAND-SPECIFIC, RETIRED OCL COLOR, OR CUSTOM FINISHES



- EMERGENCY BATTERY BACKUP OR INVERTER OPTIONS
- REMOTE DRIVERS / EXTENDED DISTANCE REMOTE DRIVERS
- DIMMING TO 0.1% (DIM TO DARK)
- NON-STANDARD SIZES OR LENGTHS
- NON-STANDARD CANOPY, BODY AND/OR CORD COLORS
- SEISMIC AND/OR ANTI-SWAY SYSTEMS
- RIGID STEMS
- MODIFIED OVERALL HEIGHTS (LONGER OR SHORTER OAH)
- UPLIGHT ADDITIONS
- LASER ETCHING, ENGRAVING, AND CUTOUTS

The drawings and specifications and ideas, designs and arrangements represented on these drawings are and shall remain the property of The Original Cast Lighting (OCL Architectural Lighting) and no part thereof shall be copied, disclosed, to others or used in conjunction with any work or project other than the specified project for which they have been prepared and developed, without written consent of OCL. Visual contact with these plans or specifications shall constitute conclusive evidence of acceptance of these restrictions. All specifications and information subject to change without notice.