

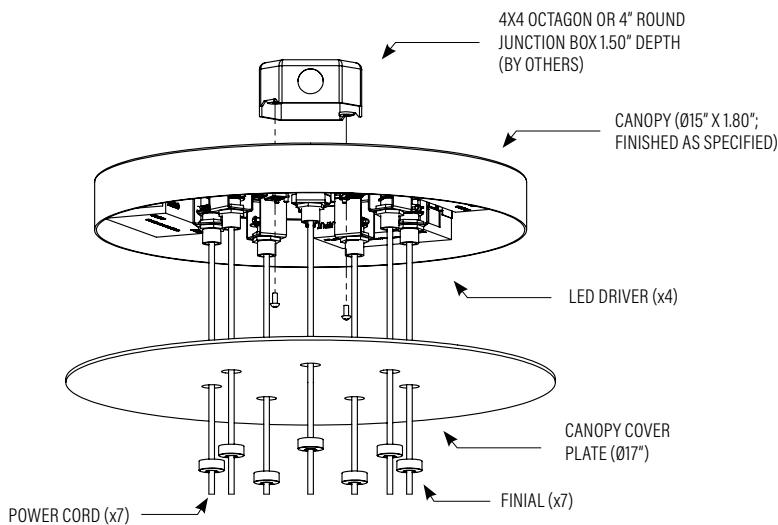
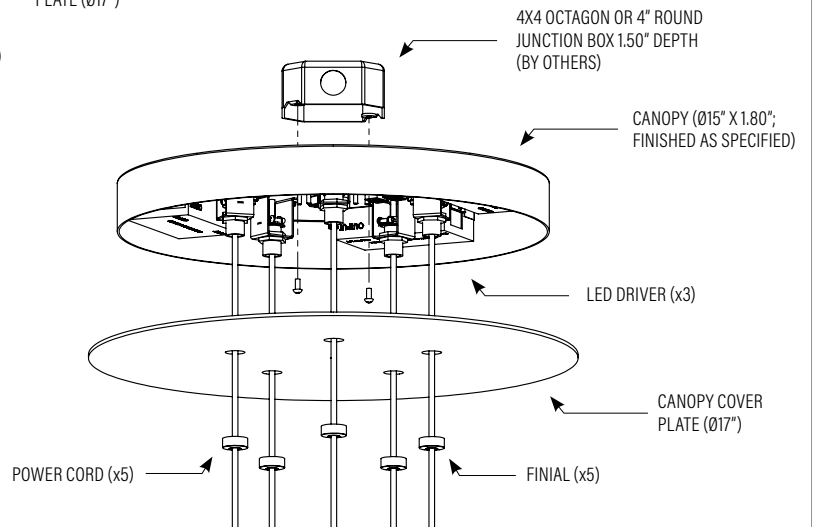
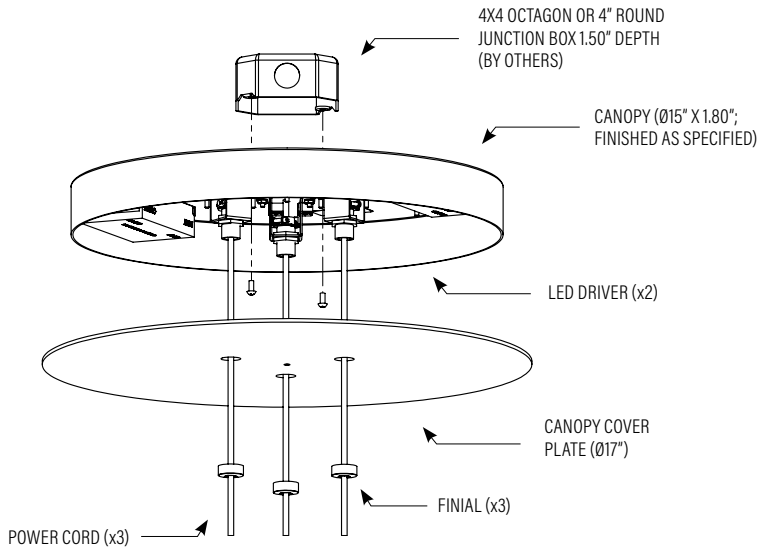
HANGING SYSTEM

- P3CA** TRIPLE CLUSTER PENDANT WITH 3 SINGLE POWER CORDS
- P5CA** FIVE CLUSTER PENDANT WITH 5 SINGLE POWER CORDS
- P7CA** SEVEN CLUSTER PENDANT WITH 7 SINGLE POWER CORDS

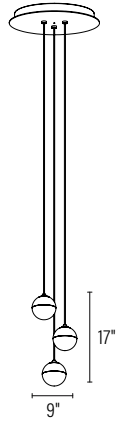
MOUNTING INFORMATION CHART

LUMINAIRE	LUMINAIRE WEIGHT	MOUNTING POINTS	MIN/MAX OAH
06	15 LBS	1	40/144"
07	20 LBS	1	40/144"
08	35 LBS	1	44/144"

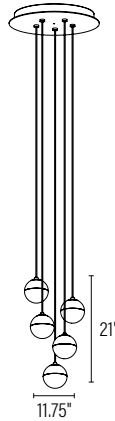
Canopy requires additional anchors (by others)
 For minimum OAH, see hanging systems details. Fixture will ship with one of three standard OAH's (48", 100" or 144") field adjustable to the desired height



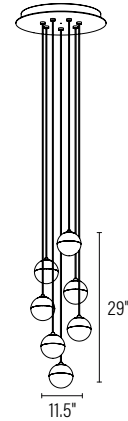
SIZE AND SECTIONS



WT.
15 LBS



WT.
20 LBS



WT.
35 LBS

DIFFUSER

FINISH

FINISHES:



FS FROSTED SILICONE

METALLIC POWDER COAT FINISHES:



SMP
SILVER



GRP
GRAPHITE



SGP
STEEL GRAY



GLP
GOLDTASTIC



BMP
BRASS



BNP
BRONZE

PREMIUM METAL FINISHES:



BAL
BRUSHED
ALUMINUM

SOLID POWDER COAT FINISHES:



SWP
SKY WHITE



MWP
MATTE
WHITE



BKP
BLACK

TEXTURED POWDER COAT FINISHES:



BTP
BLACK
TEXTURED



WTP
WHITE
TEXTURED

RAL, Pantone® or custom finishes are also available.

These colors are for reference only. Please be aware that colors may vary per monitor. Contact your local rep for finish samples or with any questions.

LIGHT SOURCE

		06	07	08
LEDI	LUMENS DELIVERED	1950	3250	4550
	SYSTEM WATTAGE	24	40	56

This chart was created for a 35K color temp. Multiply by 0.95 for 27k color temp, 0.97 for 30k color temp, and 1.03 for 40k color temp.

Values shown for 80+ CRI. For 90+ CRI lumens use 0.85 multiplier.

STANDARD COLOR TEMPERATURE OPTIONS	CRI (RA)	
	2700K	80+
3000K	80+	90+
3500K	80+	90+
4000K	80+	90+

****PHOTOMETRIC INFORMATION PENDING****

CONTROL

DMI 0-10V DIMMING 1%

- 0-10V DIMMING
- 1% MINIMUM DIM LEVEL
- ELECTRONIC DRIVER
- POWER FACTOR >0.9
- THD <20%
- MINIMUM AMBIENT OPERATING TEMPERATURE -31°F
- FIELD REPLACEABLE

OPTIONS

ULD DAMP LABEL LUMINAIRE

- MAY BE USED IN AN OUTDOOR AREA THAT IS PROTECTED FROM DIRECT CONTACT WITH WIND, RAIN, SNOW OR EXCESSIVE MOISTURE

MOD MODIFIED LUMINAIRE

- LUMINAIRE IS MODIFIED FROM STANDARD OPTIONS; CONTACT LOCAL REP FOR MORE INFORMATION

SPECIFICATIONS

CONSTRUCTION

- HOUSING IS DIE-CAST ALUMINUM
- DIFFUSER IS FROSTED SILICONE
- CANOPY IS SPUN ALUMINUM
- HARDWARE IS ZINC PLATED OR STAINLESS STEEL

MOUNTING

- P3CA, P5CA, P7CA ALL MOUNT TO 4X4" OCTAGON OR 4" ROUND J-BOX (BY OTHERS)

ELECTRICAL

- DIMMING ELECTRONIC DRIVER(S), COMES STANDARD WITH 0-10V DOWN TO 1%
- BRIDGELUX VERO 10 GEN 6 COB
- 80+ CRI = 80 RA, R9 > 0 (10-15 TYP.)
- 90+ CRI = 90 RA, R9 > 50
- LUMINAIRE CONNECTS TO BUILDING SUPPLY (120V-277V 50/60HZ) UNLESS DRIVERS ARE REMOTE

LISTING

- ETL LISTED TO UL 1598 FOR DRY LOCATIONS, DAMP LOCATION LISTED IS OPTION

WARRANTY

- 5 YEAR; ALL ELECTRICAL COMPONENTS RETAIN THE MANUFACTURER'S WARRANTY

SUSTAINABILITY

- THIS PRODUCT MEETS THE MATERIAL RESTRICTIONS OF ARTICLE 4 OF THE **ROHS** DIRECTIVE (2011/65/EU), INCLUDING COMMISSION DELEGATED DIRECTIVE 2015/863

The drawings and specifications and ideas, designs and arrangements represented on these drawings are and shall remain the property of The Original Cast Lighting (OCL Architectural Lighting) and no part thereof shall be copied, disclosed, to others or used in conjunction with any work or project other than the specified project for which they have been prepared and developed, without written consent of OCL. Visual contact with these plans or specifications shall constitute conclusive evidence of acceptance of these restrictions. All specifications and information subject to change without notice.