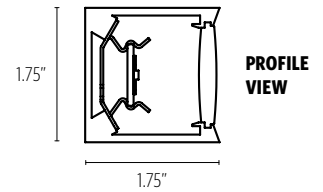


# Stealth™

PENDANT

**FEATURES**

- 1.75" MINIMAL SQUARE PROFILE SIZE
- SILICONE DIFFUSER ELIMINATES LIGHT LEAKS AND VISIBLE SEAMS
- FIELD REPLACEABLE LED ARRAYS AND DRIVER(S) FOR SIMPLE MAINTENANCE
- FIXTURES CAN BE CLUSTERED TOGETHER TO CREATE LARGE SCALE INSTALLATIONS
- CUSTOM SIZES, SHAPES, AND CONFIGURATIONS ARE POSSIBLE - REFER TO REV SHAPES SPEC SHEET FOR DETAILS



**CATALOG CODES**

<b>A</b>	<b>B</b>	<b>C</b>	<b>MW</b>	<b>E</b>	<b>F</b>	<b>UNV</b>	<b>H</b>	<b>DM1</b>	<b>J</b>
SERIES	HANGING SYSTEM	SIZE	DIFFUSER	FINISH	LIGHT SOURCE	VOLTAGE	OAH	CONTROL	OPTIONS

SPECIFY CATALOG CODE					
A	B	C	D	E	
SERIES	HANGING SYSTEM	SIZE	DIFFUSER	FINISH	
SE1 STEALTH INNER SE2 STEALTH OUTER SE3 STEALTH DOWN	<b>PISB</b>	PENDANT WITH ANGLED AIRCRAFT CABLES AND POWER CORD TO SQUARE CANOPY WITH INTEGRAL DRIVER; MOUNTS TO 4X4 OCTAGON J-BOX (BY OTHERS)	<b>24</b> <b>36</b> <b>48</b> <b>60</b> <b>72</b>	<b>MW</b> MATTE WHITE	<b>POWDER COAT FINISHES</b> <b>BKP</b> BLACK <b>BMP</b> BRASS METALLIC <b>BNP</b> BRONZE <b>BTP</b> BLACK TEXTURED <b>GRP</b> GRAPHITE <b>GLP</b> GOLDTASTIC <b>MWP</b> MATTE WHITE <b>SGP</b> STEEL GRAY <b>SMP</b> SILVER METALLIC <b>SWP</b> SKY WHITE <b>WTP</b> WHITE TEXTURED  <b>PREMIUM METAL FINISHES</b> <b>BAL</b> BRUSHED ALUMINUM
	<b>PISC</b>	PENDANT WITH ANGLED AIRCRAFT CABLES AND POWER CORD TO SQUARE CANOPY; MOUNTS TO 4X4 OCTAGON J-BOX (BY OTHERS); REMOTE DRIVER ENCLOSURE			
	<b>PIEM</b>	PENDANT WITH VERTICAL AIRCRAFT CABLES TO SEPARATE MOUNTING POINTS AND POWER CORD TO CANOPY; MOUNTS TO 4X4 OCTAGON J-BOX (BY OTHERS); REMOTE DRIVER ENCLOSURE			
	<b>PISA</b>	PENDANT WITH VERTICAL AIRCRAFT CABLES TO SEPARATE MOUNTING POINTS AND POWER CORD TO SQUARE CANOPY WITH INTEGRAL DRIVER; MOUNTS TO 4X4 OCTAGON J-BOX (BY OTHERS)			
	<b>PIPC</b>	<b>POWER OVER CABLE (POC)</b> PENDANT WITH ANGLED CABLES TO CANOPY; MOUNTS TO 4X4 OCTAGON J-BOX (BY OTHERS); REMOTE DRIVER ENCLOSURE			
	<b>PIPD</b>	<b>POWER OVER CABLE (POC)</b> PENDANT WITH ANGLED CABLES TO CANOPY WITH INTEGRAL DRIVER; MOUNTS TO 4X4 OCTAGON J-BOX (BY OTHERS)			

F			G	H	I	J
LIGHT SOURCE			VOLTAGE	OAH*	CONTROL	OPTIONS
<b>LED OUTPUT</b>	<b>COLOR TEMP</b>	<b>COLOR TEMP</b>	<b>UNV</b> 120-277	<b>48</b>	<b>DM1</b> 0-10V DIMMING 1%	<b>ULD</b> DAMP LABEL <b>BIOS</b> BIOS SKYBLUE™ OR BIOS SKYBLUE™ DYNAMIC LIGHT ENGINE** <b>MOD</b> MODIFIED LUMINAIRE (CONTACT LOCAL REP)
<b>LED1</b>	(80+ CRI)	(90+ CRI)		<b>100</b>		
<b>LED2</b>	<b>27K</b>	<b>927K</b>		<b>144</b>		
	<b>30K</b>	<b>930K</b>				
	<b>35K</b>	<b>935K</b>				
	<b>40K</b>	<b>940K</b>				

SAMPLE CODE: SE1-PIEM-36-MW-WTP-LED1/30K-UNV-100-DM1-PBK

\*Ships with one of three OAH's (48", 100" or 144") and is field adjustable to the desired height

\*\*Contact factory for BIOS SkyBlue® or BIOS SkyBlue® Dynamic light engine and control options.

Fixtures with **PIEM** hanging system, canopy will be MWP unless specified.

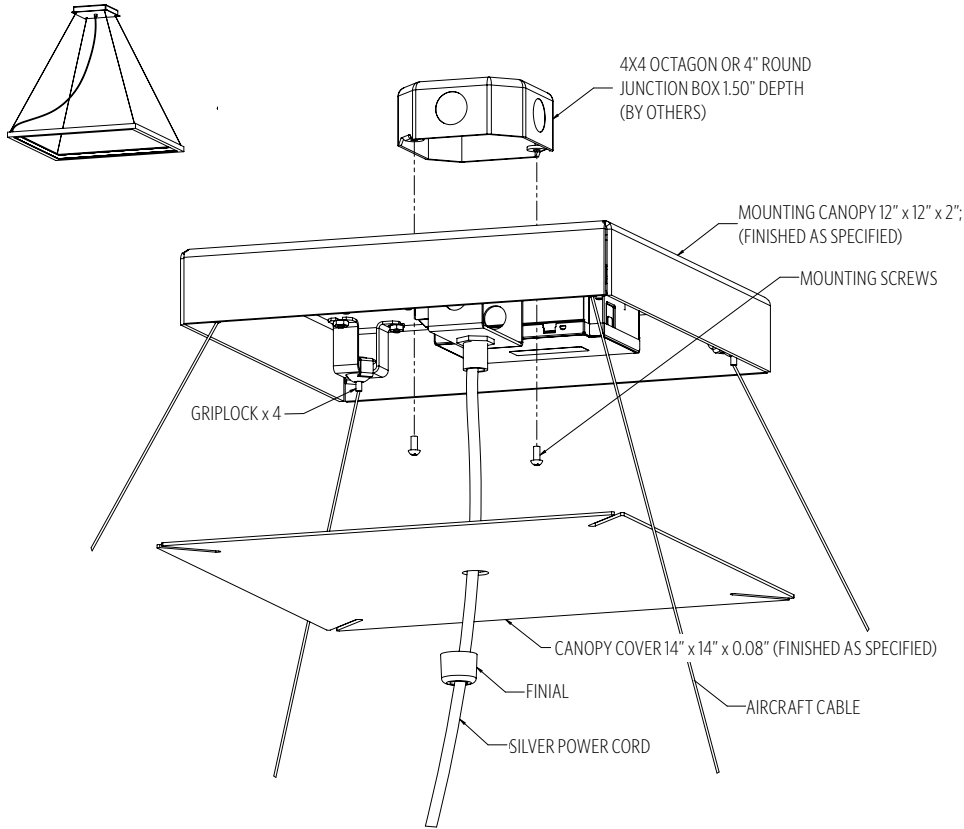
Fixtures with **PISB, PISC, PISA, PIPC,** and **PIPD** hanging system, canopy will match finish choice.

Power cord silver unless specified.

**MODS, NOTES, & COMMENTS**

## HANGING SYSTEM

**P1SB** PENDANT WITH ANGLED AIRCRAFT CABLES AND POWER CORD TO SQUARE CANOPY WITH INTEGRAL DRIVER; MOUNTS TO 4X4 OCTAGON J-BOX (BY OTHERS)

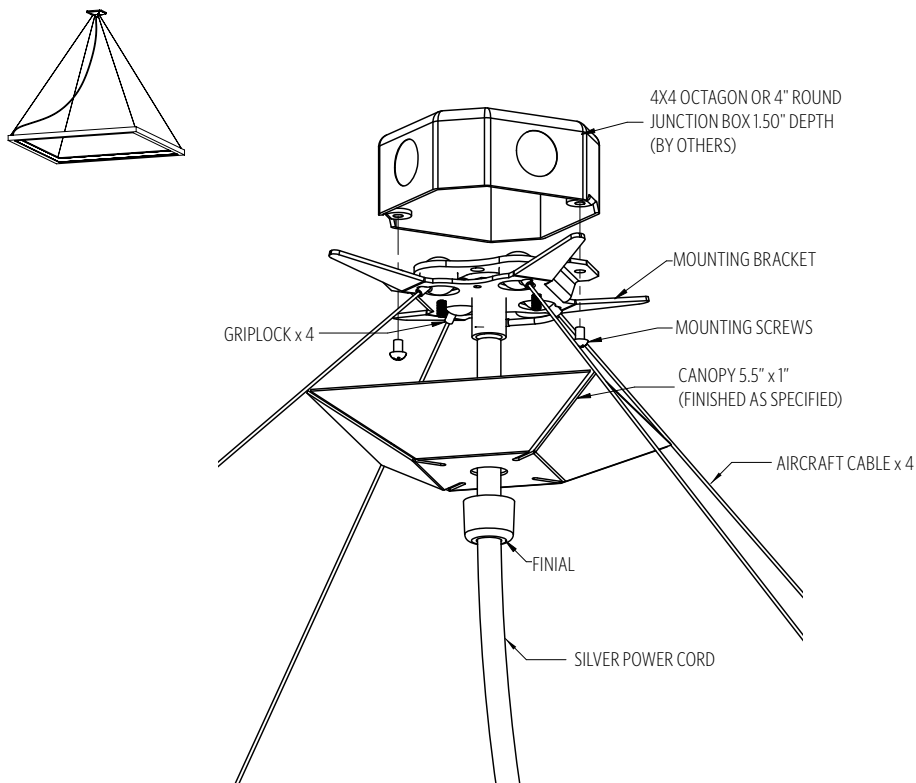


### MOUNTING INFORMATION CHART

LUMINAIRE SIZE	LUMINAIRE WEIGHT	MOUNTING POINTS	MIN/MAX OAH
24"	12 LBS	1	8"/144"
36"	14 LBS	1	15"/144"
48"	16 LBS	1	22"/144"
60"	18 LBS	1	26"/144"
72"	21 LBS	1	32"/144"

\* P1SB ships with one of three OAH's (48", 100" or 144") and is field adjustable to the desired height. For OAH over 144", contact your local rep

**P1SC** PENDANT WITH ANGLED AIRCRAFT CABLES AND POWER CORD TO SQUARE CANOPY; MOUNTS TO 4X4 OCTAGON J-BOX (BY OTHERS); REMOTE DRIVER ENCLOSURE



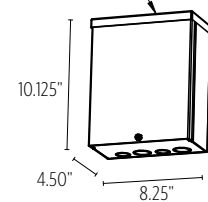
### MOUNTING INFORMATION CHART

LUMINAIRE SIZE	LUMINAIRE WEIGHT	MOUNTING POINTS	MIN/MAX OAH
24"	12 LBS	1	10"/144"
36"	14 LBS	1	12"/144"
48"	16 LBS	1	19"/144"
60"	18 LBS	1	38"/144"
72"	21 LBS	1	46"/144"

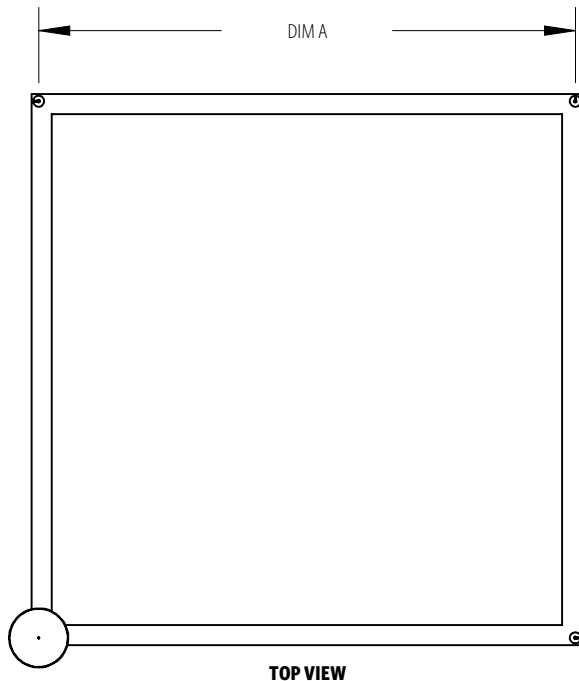
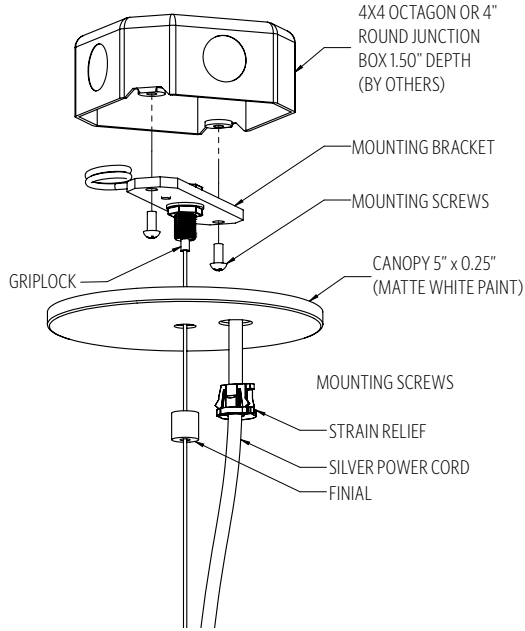
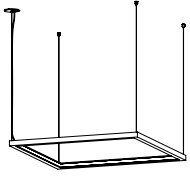
\* P1SC ships with one of three OAH's (48", 100" or 144") and is field adjustable to the desired height. For OAH over 144", contact your local rep.

P1SC will include ETL listed enclosure for remote mounting drivers. Max 30' distance from luminaire for **DM1, DM8, DALI** and **DMX**. Enclosure must remain accessible after installation. For **RGBW** remote box distance, contact your local rep

REMOTE DRIVER HOUSING ENCLOSURE (PROVIDED BY OCL)



**PIEM** PENDANT WITH VERTICAL AIRCRAFT CABLES TO SEPARATE MOUNTING POINTS AND POWER CORD TO CANOPY; MOUNTS TO 4X4 OCTAGON J-BOX (BY OTHERS); REMOTE DRIVER ENCLOSURE



**STATIC WHITE AND TWH1 MOUNTING INFORMATION CHART**

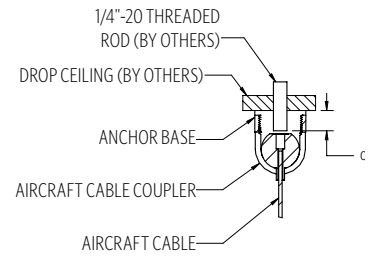
LUMINAIRE SIZE	LUMINAIRE WEIGHT	SE1 MOUNTING DISTANCE DIM A	SE2 MOUNTING DISTANCE DIM A	SE3 MOUNTING DISTANCE DIM A	MOUNTING POINTS	MIN/MAX OAH
24"	7 LBS	22.375	21.25	22.063	4	5"/144"
36"	12 LBS	34.375	33.25	34.063	4	5"/144"
48"	18 LBS	46.375	45.25	46.063	4	5"/144"
60"	22 LBS	58.375	57.25	58.063	4	5"/144"
72"	26 LBS	70.375	69.25	70.063	4	5"/144"

**RGBW MOUNTING INFORMATION CHART**

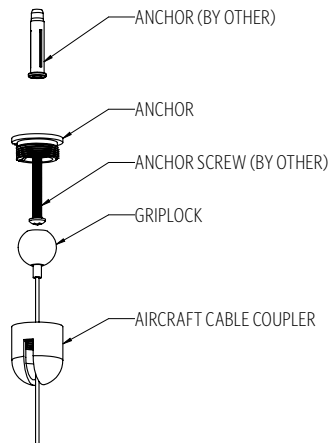
LUMINAIRE SIZE	LUMINAIRE WEIGHT	SE1 MOUNTING DISTANCE DIM A	SE2 MOUNTING DISTANCE DIM A	SE3 MOUNTING DISTANCE DIM A	MOUNTING POINTS	MIN/MAX OAH
24"	7 LBS	20.188	18.938	19.75	4	5"/144"
36"	12 LBS	32	30.75	31.563	4	5"/144"
48"	18 LBS	43.813	42.563	43.375	4	5"/144"
60"	22 LBS	55.563	54.375	55.188	4	5"/144"
72"	26 LBS	67.438	66.188	67	4	5"/144"

\* PIEM ships with one of three OAH's (48", 100" or 144") and is field adjustable to the desired height. For OAH over 144", contact your local rep

PIEM will include ETL listed enclosure for remote mounting drivers. Max 30' distance from luminaire for **DM1, DM8, DALI** and **DMX**. Enclosure must remain accessible after installation. For **RGBW** remote box distance, contact factory

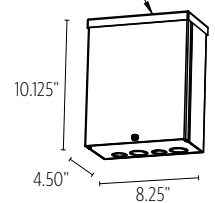


**DROP CEILING**

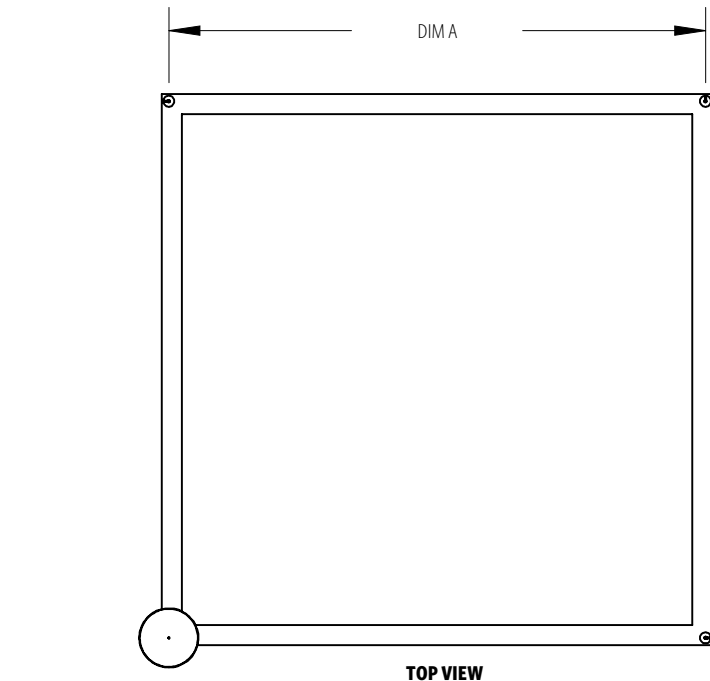
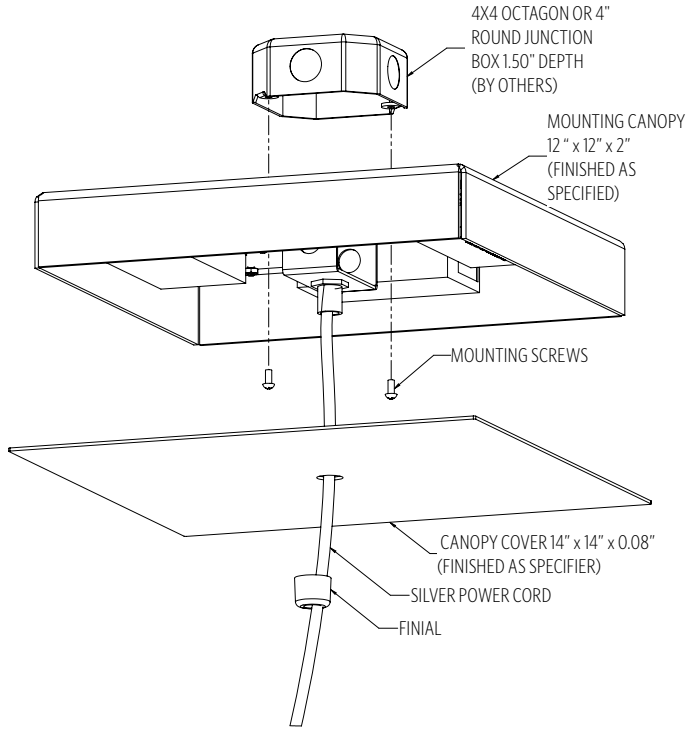
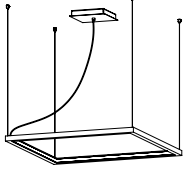


**HARD CEILING**

REMOTE DRIVER HOUSING ENCLOSURE (PROVIDED BY OCL)



**P1SA** PENDANT WITH VERTICAL AIRCRAFT CABLES TO SEPARATE MOUNTING POINTS AND POWER CORD TO SQUARE CANOPY WITH INTEGRAL DRIVER; MOUNTS TO 4X4 OCTAGON J-BOX (BY OTHERS)



**STATIC WHITE AND TWH1 MOUNTING INFORMATION CHART**

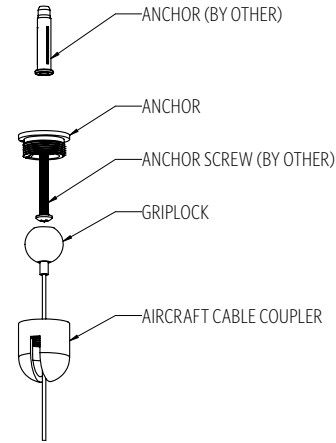
LUMINAIRE SIZE	LUMINAIRE WEIGHT	SE1 MOUNTING DISTANCE DIM A	SE2 MOUNTING DISTANCE DIM A	SE3 MOUNTING DISTANCE DIM A	MOUNTING POINTS	MIN/MAX OAH
24"	7 LBS	22.375	21.25	22.063	4	5"/144"
36"	12 LBS	34.375	33.25	34.063	4	5"/144"
48"	18 LBS	46.375	45.25	46.063	4	5"/144"
60"	22 LBS	58.375	57.25	58.063	4	5"/144"
72"	26 LBS	70.375	69.25	70.063	4	5"/144"

**RGBW MOUNTING INFORMATION CHART**

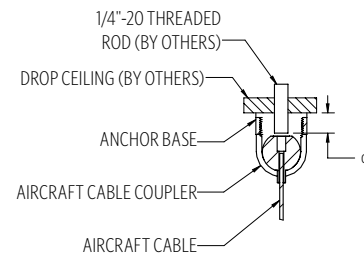
LUMINAIRE SIZE	LUMINAIRE WEIGHT	SE1 MOUNTING DISTANCE DIM A	SE2 MOUNTING DISTANCE DIM A	SE3 MOUNTING DISTANCE DIM A	MOUNTING POINTS	MIN/MAX OAH
24"	7 LBS	20.188	18.938	19.75	4	5"/144"
36"	12 LBS	32	30.75	31.563	4	5"/144"
48"	18 LBS	43.813	42.563	43.375	4	5"/144"
60"	22 LBS	55.563	54.375	55.188	4	5"/144"
72"	26 LBS	67.438	66.188	67	4	5"/144"

\* PISA ships with one of three OAH's (48", 100" or 144") and is field adjustable to the desired height. For OAH over 144", contact your local rep

PISA will include ETL listed enclosure for remote mounting drivers. Max 30' distance from luminaire for **DM1, DM8, DALI** and **DMX**. Enclosure must remain accessible after installation. For **RGBW** remote box distance, contact factory



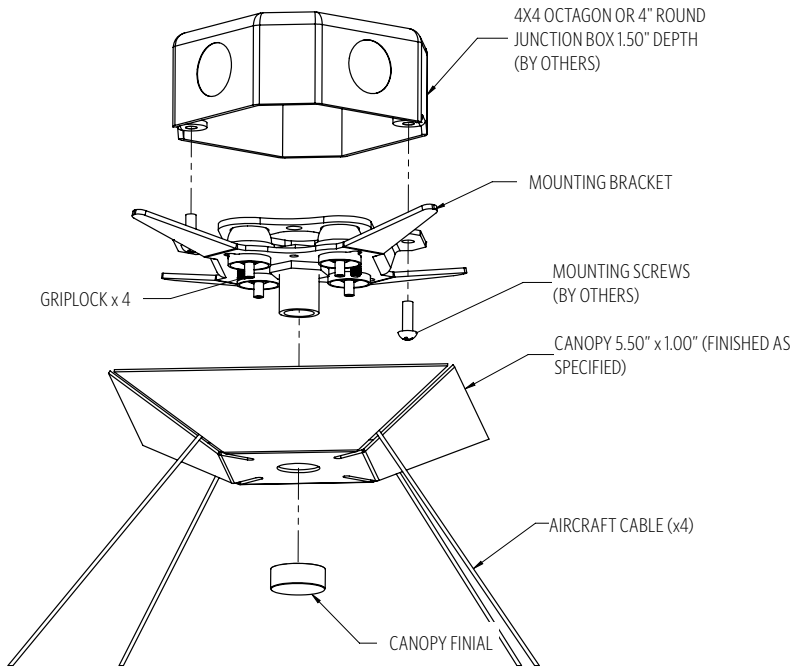
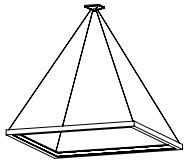
**HARD CEILING**



**DROP CEILING**

## HANGING SYSTEM

**PIPC** **POWER OVER CABLE (POC)** PENDANT WITH ANGLED CABLES TO CANOPY; MOUNTS TO 4X4 OCTAGON J-BOX (BY OTHERS); REMOTE DRIVER ENCLOSURE

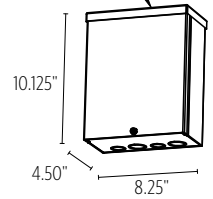


### MOUNTING INFORMATION CHART

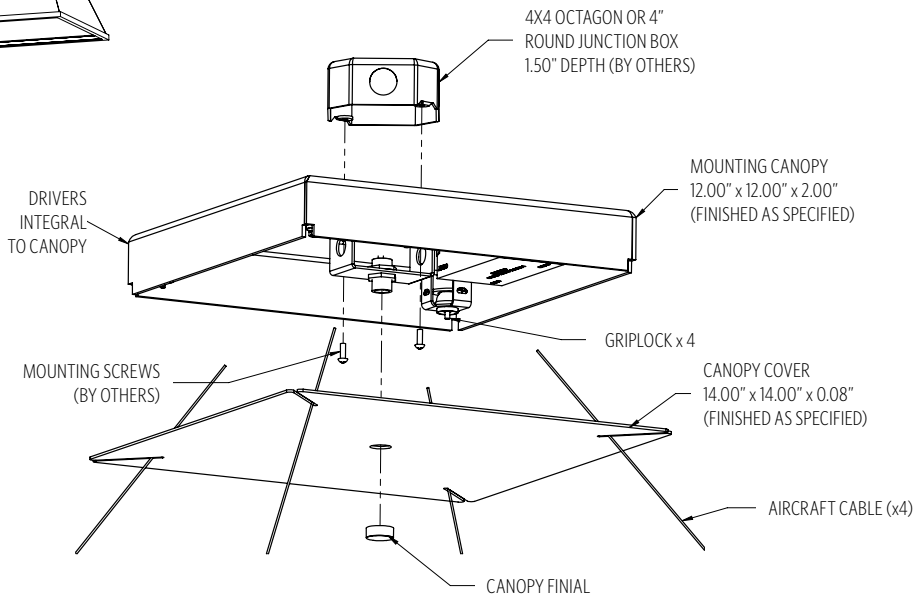
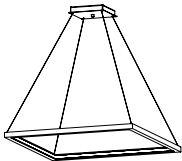
LUMINAIRE SIZE	LUMINAIRE WEIGHT	MOUNTING POINTS	MIN/MAX OAH
24"	12 LBS	1	10"/144"
36"	14 LBS	1	12"/144"
48"	16 LBS	1	19"/144"
60"	18 LBS	1	38"/144"
72"	21 LBS	1	46"/144"

**PIPC** ships with one of three OAH's (48", 100" or 144") and is field adjustable to the desired height. **PIPC** will include ETL listed enclosure for remote mounting drivers. Max 30' distance from luminaire.

REMOTE DRIVER HOUSING ENCLOSURE (PROVIDED BY OCL)



**PIPD** **POWER OVER CABLE (POC)** PENDANT WITH ANGLED CABLES TO CANOPY WITH INTEGRAL DRIVER; MOUNTS TO 4X4 OCTAGON J-BOX (BY OTHERS)

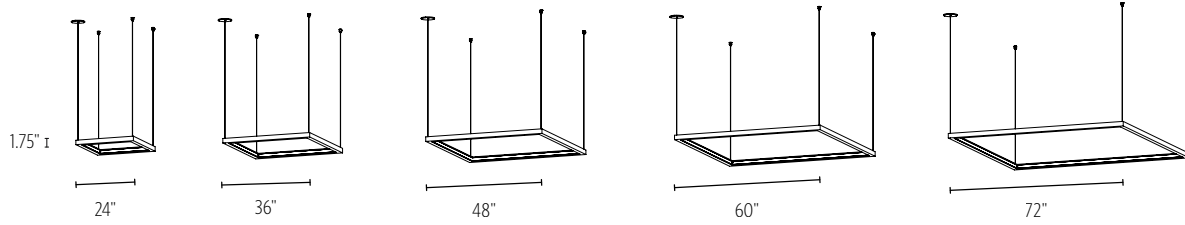


### MOUNTING INFORMATION CHART

LUMINAIRE SIZE	LUMINAIRE WEIGHT	MOUNTING POINTS	MIN/MAX OAH
24"	12 LBS	1	8"/144"
36"	14 LBS	1	15"/144"
48"	16 LBS	1	22"/144"
60"	18 LBS	1	26"/144"
72"	21 LBS	1	32"/144"

**PIPD** ships with one of three OAH's (48", 100" or 144") and is field adjustable to the desired height.

**SIZES**



**DIFFUSER**

**FINISH**



**MW** MATTE WHITE

**METALLIC POWDER COAT FINISHES:**



**SMP**  
SILVER



**GRP**  
GRAPHITE



**SGP**  
STEEL GRAY



**GLP**  
GOLDTASTIC



**BMP**  
BRASS



**BNP**  
BRONZE

**PREMIUM METAL FINISHES:**



**BAL**  
BRUSHED  
ALUMINUM

**SOLID POWDER COAT FINISHES:**



**SWP**  
SKY WHITE



**MWP**  
MATTE  
WHITE



**BKP**  
BLACK

**TEXTURED POWDER COAT FINISHES:**



**BTP**  
BLACK  
TEXTURED



**WTP**  
WHITE  
TEXTURED

**RAL , Pantone® or custom finishes are also available.**

These colors are for reference only. Please be aware that colors may vary per monitor. Contact your local rep for finish samples or with any questions.

**LIGHT SOURCE**

		SE1					SE2					SE3				
		24"	36"	48"	60"	72"	24"	36"	48"	60"	72"	24"	36"	48"	60"	72"
<b>LED1</b>	LUMENS DELIVERED	1560	2340	3180	4020	4800	1566	2376	3186	4050	4806	1551	2350	3196	4042	4794
	SYSTEM WATTAGE	26	39	53	67	80	29	44	59	75	89	33	50	68	86	102
<b>LED2</b>	LUMENS DELIVERED	2520	3900	4860	6660	8040	2538	3888	4860	6696	8046	2585	3901	4841	6674	8084
	SYSTEM WATTAGE	42	65	81	111	134	47	72	90	124	149	55	83	103	142	172

This chart was created for a 35K color temp. Multiply by 0.95 for 27k color temp, 0.97 for 30k color temp, and 1.03 for 40k color temp. Values shown for 80+ CRI. For 90+ CRI lumens use 0.85 multiplier.

**PHOTOMETRY:**

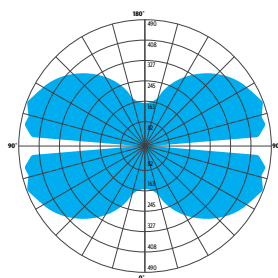
LUMINAIRE: SE1-PIEM-48-MW-PTD-LED2\_35K-UNV-48  
 COLOR TEMP #: 3500K  
 TEST REPORT: TEST NO. 20860.0; 20861.0; 20862.0

For all available IES files, please visit our website at ocl.com.

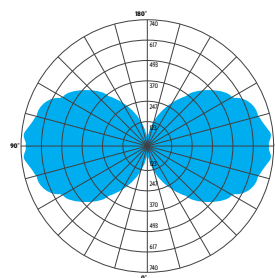
STANDARD COLOR TEMPERATURE OPTIONS	CRI (RA)	
	2700K	80+
3000K	80+	90+
3500K	80+	90+
4000K	80+	90+

For 80+ CRI - 80 RA, R9 > 0 (10-15 TYP); For 90+ CRI - 90 RA, R9 > 50

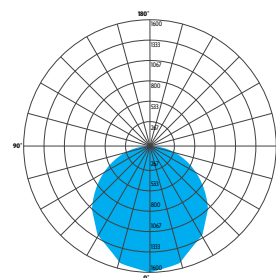
ZONE	% OF LUMINAIRE		
	SE1	SE2	SE3
0-30	4%	2%	27%
0-60	23%	17%	77%
0-90	50%	50%	100%
90-180	50%	50%	0%
0-180	100%	100%	100%



**SE1**



**SE2**



**SE3**

## CONTROL

### DM1 0-10V DIMMING 1%

- 0-10V DIMMING PROTOCOL
- 1% MINIMUM DIM LEVEL
- ELECTRONIC DRIVER
- POWER FACTOR >0.9
- THD <20%
- MINIMUM AMBIENT OPERATING TEMPERATURE -31°F
- LINEAR DIMMING CURVE
- FIELD REPLACEABLE

### DALI DALI CONTROL SYSTEM, DIMMABLE 0.1%

- DALI-2 DEVICE TYPE 6 CONTROL PROTOCOL
- 0.1% MINIMUM DIM LEVEL
- ELECTRONIC DRIVER
- POWER FACTOR >0.9
- THD <20%
- MINIMUM AMBIENT OPERATING TEMPERATURE -4°F
- LOGARITHMIC DIMMING CURVE [DEFAULT]
- FIELD REPLACEABLE

### DMX DMX CONTROL DIMMABLE TO 0.1%

- DMX/RDM DIMMING PROTOCOL
- 0.1% MINIMUM DIM LEVEL
- ELECTRONIC DRIVER
- POWER FACTOR >0.9
- THD <20%
- MINIMUM AMBIENT OPERATING TEMPERATURE -4°F
- LOGARITHMIC DIMMING CURVE [DEFAULT]
- FIELD REPLACEABLE

### DM8 DUAL 0-10V DIMMING 0.1%

- 0-10V DIMMING PROTOCOL
- 0.1% MINIMUM DIM LEVEL
- ELECTRONIC DRIVER
- POWER FACTOR >0.9
- THD <20%
- MINIMUM AMBIENT OPERATING TEMPERATURE -4°F
- LOGARITHMIC DIMMING CURVE [DEFAULT]
- FIELD REPLACEABLE

## OPTIONS

### ULD DAMP LABEL LUMINAIRE

- MAY BE USED IN AN OUTDOOR AREA THAT IS PROTECTED FROM DIRECT CONTACT WITH WIND, RAIN, SNOW OR EXCESSIVE MOISTURE

### MOD MODIFIED LUMINAIRE

- LUMINAIRE IS MODIFIED FROM STANDARD OPTIONS; CONTACT LOCAL REP FOR MORE INFORMATION

### BIOS

- BIOS SKYBLUE™ DYNAMIC** LIGHT ENGINE IS DIMMABLE AND FEATURES A SIMPLE APPROACH TO CIRCADIAN LIGHTING CONTROLS.
- WHEN PAIRED WITH THE BIOS BIO-DIMMING MODULE, IT OPERATES USING ANY SINGLE CHANNEL CONSTANT CURRENT (CC) LED DRIVER AND CAN BE USED WITH ANY STANDARD DIMMING INTERFACE/PROTOCOL (0-10V, ELV, DMX, WIRELESS) AND COULD WORK WITH EXISTING TWO-CHANNEL CONTROL SYSTEMS AS WELL.
- VISIT [OCL.COM/BIOS](http://OCL.COM/BIOS) FOR MORE INFORMATION

## SPECIFICATIONS

### CONSTRUCTION

- HOUSING IS EXTRUDED AND WELDED ALUMINUM
- HOUSING CORNERS ARE FULLY WELDED AND GROUND SMOOTH
- DIFFUSER IS EXTRUDED SILICONE
- CANOPY IS FORMED ALUMINUM
- HARDWARE IS ZINC PLATED OR STAINLESS STEEL

### MOUNTING

- PISB, PISC, PISA, & PIEM** ALL MOUNT TO 4X4" OCTAGON OR 4" ROUND J-BOX (BY OTHER)

### ELECTRICAL

- DIMMING ELECTRONIC DRIVER(S), COMES STANDARD WITH 0-10V DOWN TO 1% (STATIC WHITE)
- OCL PROPRIETARY LED ARRAYS USE NICHIA 757 DIODES (STATIC WHITE)
- FOR INTEGRAL DRIVERS:** LUMINAIRE CONNECTS TO BUILDING SUPPLY (120V-277V 50/60HZ)
- FOR REMOTE DRIVERS:** LUMINAIRE WIRE LEADS ARE LOW-VOLTAGE. THE WIRES SHOULD BE CONNECTED TO OCL PROVIDED REMOTE DRIVER ENCLOSURE ONLY!

### LISTING

- ETL LISTED TO UL 1598/2108 FOR DRY LOCATIONS, DAMP LOCATION LISTED IS OPTION

### WARRANTY

- 5 YEAR; ALL ELECTRICAL COMPONENTS RETAIN THE MANUFACTURER'S WARRANTY

### BUILD AMERICA, BUY AMERICA (BABA)

- THIS PRODUCT MEETS THE GUIDELINES FOR THE BUILD AMERICA, BUY AMERICA ACT. **SOME EXCLUSIONS APPLY.** FOR MORE INFORMATION AND A FULL LIST OF ELIGIBLE SKUS, VISIT [OCL.COM/BABA](http://OCL.COM/BABA)

### SUSTAINABILITY

- THIS PRODUCT MEETS THE MATERIAL RESTRICTIONS OF ARTICLE 4 OF THE **ROHS** DIRECTIVE (2011/65/EU), INCLUDING COMMISSION DELEGATED DIRECTIVE 2015/863
- BIOS** LIGHTING CONTRIBUTES TOWARD THE CIRCADIAN LIGHTING DESIGN FEATURE 54 UNDER THE **WELL BUILDING STANDARD™ V1** AND FEATURE L03 UNDER THE **WELL BUILDING STANDARD V2**

## COMMON MODIFICATIONS

### WE'RE BUILT FOR OUT-OF-THE-BOX THINKERS.

Nearly 50% of OCL fixtures we manufacture have some type of modification. Here is a list of common modifications we frequently produce. **Please contact the factory for modifications specific to your fixture or project.**

Need some help? Simply send your questions to us at [OCL-Quotes@ocl.com](mailto:OCL-Quotes@ocl.com)

- BIOS, TUNABLE WHITE, WARM-DIM, & RGBW LIGHT SOURCES
- SPECIFIC LUMEN OUTPUT
- MODIFIED CLUSTERS OR CONFIGURATIONS / MULTI-DROP CANOPIES
- VARIOUS SHAPES, ARCS, AND CURVES FOR LINEAR PROFILES AND RINGS
- CEILING OR SURFACE MOUNTING
- LARGE SCALE MODIFICATIONS
- RAL, PANTONE, BRAND-SPECIFIC, RETIRED OCL COLOR, OR CUSTOM FINISHES



- EMERGENCY BATTERY BACKUP OR INVERTER OPTIONS
- REMOTE DRIVERS / EXTENDED DISTANCE REMOTE DRIVERS
- DIMMING TO 0.1% (DIM TO DARK)
- NON-STANDARD SIZES OR LENGTHS
- NON-STANDARD CANOPY, BODY AND/OR CORD COLORS
- SEISMIC AND/OR ANTI-SWAY SYSTEMS
- RIGID STEMS
- MODIFIED OVERALL HEIGHTS (LONGER OR SHORTER OAH)
- UPLIGHT ADDITIONS
- LASER ETCHING, ENGRAVING, AND CUTOUTS

The drawings and specifications and ideas, designs and arrangements represented on these drawings are and shall remain the property of The Original Cast Lighting (OCL Architectural Lighting) and no part thereof shall be copied, disclosed, to others or used in conjunction with any work or project other than the specified project for which they have been prepared and developed, without written consent of OCL. Visual contact with these plans or specifications shall constitute conclusive evidence of acceptance of these restrictions. All specifications and information subject to change without notice.