

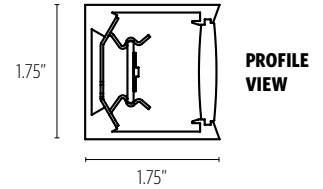


# Stealth™ Acoustic

PENDANT

**FEATURES**

- 0.36" (9MM) ACOUSTIC PANEL MITIGATES SOUND REVERBERATION
- UNIQUE ETCHED PANEL DESIGN HIDES SEAM IN LARGER SIZES
- 1.75" MINIMAL SQUARE PROFILE SIZE
- SILICONE DIFFUSER ELIMINATES LIGHT LEAKS AND VISIBLE SEAMS
- FIELD REPLACEABLE LED ARRAYS AND DRIVER(S) FOR SIMPLE MAINTENANCE
- FIXTURES CAN BE CLUSTERED TOGETHER TO CREATE LARGE SCALE INSTALLATIONS
- CUSTOM SIZES, SHAPES, AND CONFIGURATIONS ARE POSSIBLE - REFER TO REV SHAPES SPEC SHEET FOR DETAILS



**CATALOG CODES**

|          |                |          |           |          |              |            |          |            |          |
|----------|----------------|----------|-----------|----------|--------------|------------|----------|------------|----------|
| <b>A</b> | <b>B</b>       | <b>C</b> | <b>MW</b> | <b>E</b> | <b>F</b>     | <b>UNV</b> | <b>H</b> | <b>DM1</b> | <b>J</b> |
| SERIES   | HANGING SYSTEM | SIZE     | DIFFUSER  | FINISH   | LIGHT SOURCE | VOLTAGE    | OAH      | CONTROL    | OPTIONS  |

| SPECIFY CATALOG CODE  |                |   |  |  |      |   |   |                       |                               |                           |
|-----------------------|----------------|---|--|--|------|---|---|-----------------------|-------------------------------|---------------------------|
| A                     | B              |   |  |  | C    |   | D   | E                     |                               |                           |
| SERIES                | HANGING SYSTEM |   |  |  | SIZE | DIFFUSER  | FINISH  |                       |                               |                           |
| <br>SE1 STEALTH INNER | <b>PISB</b>    | PENDANT WITH ANGLED AIRCRAFT CABLES AND POWER CORD TO SQUARE CANOPY WITH INTEGRAL DRIVER; MOUNTS TO 4X4 OCTAGON J-BOX (BY OTHERS)                               |  |  |      | <b>FLAT ACOUSTIC PANEL</b><br><br><b>24</b><br><b>36</b><br><b>48</b> | <b>ETCHED ACOUSTIC PANEL</b><br><br><b>24EP</b><br><b>36EP</b><br><b>48EP</b><br><b>60EP</b><br><b>72EP</b> | <b>MW</b> MATTE WHITE | <b>POWDER COAT FINISHES</b>   |                           |
|                       | <b>PISC</b>    | PENDANT WITH ANGLED AIRCRAFT CABLES AND POWER CORD TO SQUARE CANOPY; MOUNTS TO 4X4 OCTAGON J-BOX (BY OTHERS); REMOTE DRIVER ENCLOSURE                           |  |  |      |   |   |                       | <b>BKP</b> BLACK              | <b>BMP</b> BRASS METALLIC |
|                       | <b>PIEM</b>    | PENDANT WITH VERTICAL AIRCRAFT CABLES TO SEPARATE MOUNTING POINTS AND POWER CORD TO CANOPY; MOUNTS TO 4X4 OCTAGON J-BOX (BY OTHERS); REMOTE DRIVER ENCLOSURE    |  |  |      |   |   |                       | <b>BNP</b> BRONZE             | <b>BTP</b> BLACK TEXTURED |
| <br>SE2 STEALTH OUTER | <b>PISA</b>    | PENDANT WITH VERTICAL AIRCRAFT CABLES TO SEPARATE MOUNTING POINTS AND POWER CORD TO SQUARE CANOPY WITH INTEGRAL DRIVER; MOUNTS TO 4X4 OCTAGON J-BOX (BY OTHERS) |  |  |      |   |   |                       | <b>GRP</b> GRAPHITE           | <b>GLP</b> GOLDTASTIC     |
|                       | <b>PIPC</b>    | <b>POWER OVER CABLE (POC)</b> PENDANT WITH ANGLED CABLES TO CANOPY; MOUNTS TO 4X4 OCTAGON J-BOX (BY OTHERS); REMOTE DRIVER ENCLOSURE                            |  |  |      |   |   |                       | <b>MWP</b> MATTE WHITE        | <b>SGP</b> STEEL GRAY     |
| <br>SE3 STEALTH DOWN  | <b>PIPD</b>    | <b>POWER OVER CABLE (POC)</b> PENDANT WITH ANGLED CABLES TO CANOPY WITH INTEGRAL DRIVER; MOUNTS TO 4X4 OCTAGON J-BOX (BY OTHERS)                                |  |  |      |   |   |                       | <b>SMP</b> SILVER METALLIC    | <b>SWP</b> SKY WHITE      |
|                       |                |   |  |  |      |   |   |                       | <b>WTP</b> WHITE TEXTURED     |                           |
|                       |                |   |  |  |      |   |   |                       | <b>PREMIUM METAL FINISHES</b> |                           |
|                       |                |   |  |  |      |   |   |                       | <b>BAL</b> BRUSHED ALUMINUM   |                           |

| F                 |                   |                   | G                  | H          | I                           | J   |   |                          |  |
|-------------------|-------------------|-------------------|--------------------|------------|-----------------------------|---|---|--------------------------|--|
| LIGHT SOURCE      |                   |                   | VOLTAGE            | OAH*       | CONTROL                     | OPTIONS   |   |                          |  |
| <b>LED OUTPUT</b> | <b>COLOR TEMP</b> | <b>COLOR TEMP</b> | <b>UNV</b> 120-277 | <b>48</b>  | <b>DM1</b> 0-10V DIMMING 1% | <b>MOD</b> MODIFIED LUMINAIRE (CONTACT LOCAL REP)   | <b>BIOS</b> BIOS SKYBLUE™ OR BIOS SKYBLUE™ DYNAMIC LIGHT ENGINE** |                          |  |
| <b>LED1</b>       | (80+ CRI)         | (90+ CRI)         |                    |            |                             | <b>ACOUSTIC COLORS</b>  |   |                          |  |
| <b>LED2</b>       | <b>27K</b>        | <b>927K</b>       |                    | <b>100</b> |                             | <b>PBK</b> PURE BLACK   | <b>HZW</b> HAZELWOOD  | <b>CRT</b> CARROT        |  |
|                   | <b>30K</b>        | <b>930K</b>       |                    | <b>144</b> |                             | <b>CHG</b> CHARCOAL   | <b>CFB</b> CORNFLOWER BLUE  | <b>DWT</b> DEEPWATER     |  |
|                   | <b>35K</b>        | <b>935K</b>       |                    |            |                             | <b>SLT</b> SLATE  | <b>DNB</b> DENIM BLUE   | <b>PNA</b> PINEAPPLE     |  |
|                   | <b>40K</b>        | <b>940K</b>       |                    |            |                             | <b>SDG</b> SHADOW GRAY  | <b>BRD</b> BRICK RED  | <b>LMS</b> LIMESTONE     |  |
|                   |                   |                   |                    |            |                             | <b>PIC</b> PEARL ICE  | <b>MNB</b> MIDNIGHT BLUE  | <b>EMG</b> EMERALD GREEN |  |
|                   |                   |                   |                    |            |                             | <b>CWH</b> CLASSIC WHITE  | <b>DPP</b> DEEP PURPLE  | <b>BLS</b> BLUSH         |  |
|                   |                   |                   |                    |            |                             | <b>SLG</b> SILVER GRAY  | <b>BRY</b> BERRY  | <b>SFM</b> SEAFOAM       |  |
|                   |                   |                   |                    |            |                             | <b>NTL</b> NATURAL LINEN  | <b>CHR</b> CHERRY RED   |                          |  |
|                   |                   |                   |                    |            |                             | <b>NOTE:</b> Flat and Etched acoustic available up to 48" as single panel with no seam. Etched acoustic available in 60" or 72" panels as two panels with center seam hidden within etched pattern and additional bracketry hardware finished as specified (shown below). |   |                          |  |

SAMPLE CODE: SE1-PIEM-36-MW-WTP-LED1-30K-UNV-100-DM1-PBK

\*Ships with one of three OAH's (48", 100" or 144") and is field adjustable to the desired height

\*\*Contact factory for BIOS SkyBlue® or BIOS SkyBlue® Dynamic light engine and control options.

Fixtures with PIEM hanging system, canopy will be MWP unless specified.

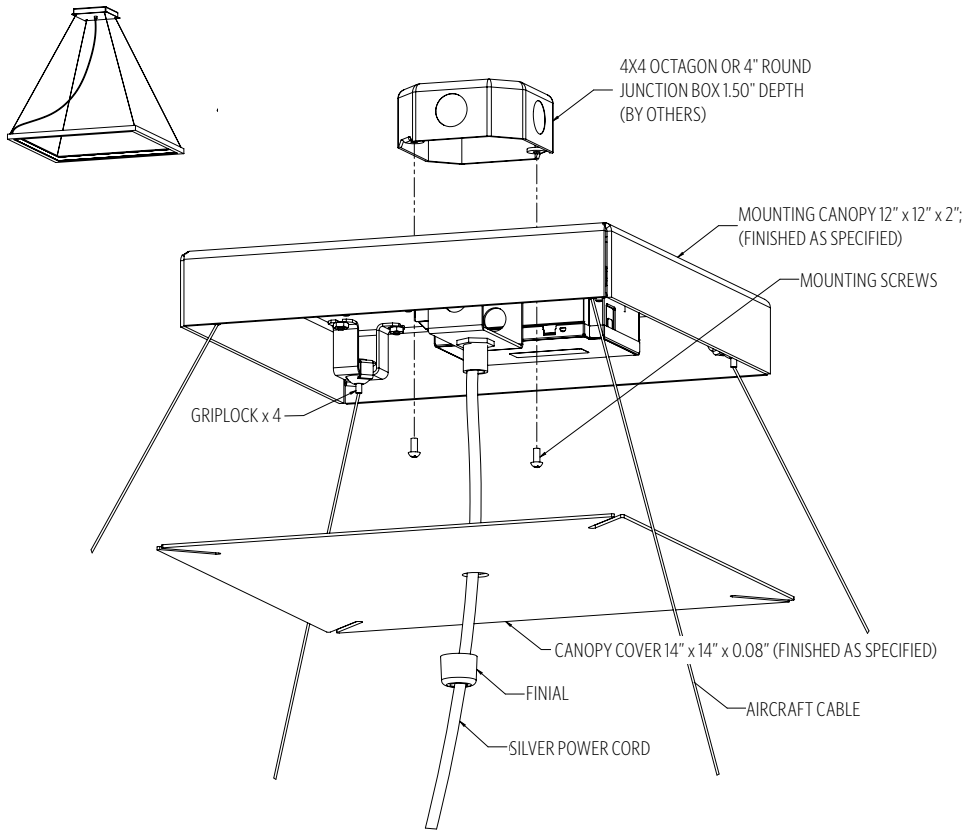
Fixtures with PISB, PISC, PISA, PIPC, and PIPD hanging system, canopy will match finish choice.

Power cord silver unless specified.

**MODS, NOTES, & COMMENTS**

## HANGING SYSTEM

**P1SB** PENDANT WITH ANGLED AIRCRAFT CABLES AND POWER CORD TO SQUARE CANOPY WITH INTEGRAL DRIVER; MOUNTS TO 4X4 OCTAGON J-BOX (BY OTHERS)

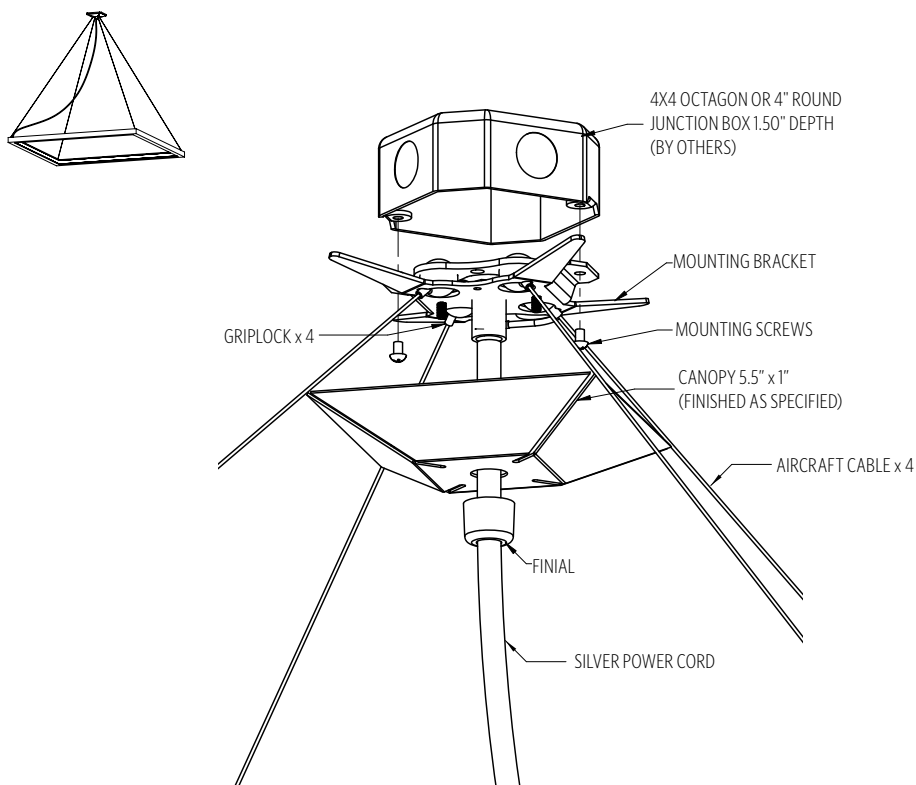


### MOUNTING INFORMATION CHART

| LUMINAIRE SIZE | LUMINAIRE WEIGHT | MOUNTING POINTS | MIN/MAX OAH |
|----------------|------------------|-----------------|-------------|
| 24"            | 14 LBS           | 1               | 8"/144"     |
| 36"            | 20 LBS           | 1               | 15"/144"    |
| 48"            | 26 LBS           | 1               | 22"/144"    |
| 60"            | 39 LBS           | 1               | 26"/144"    |
| 72"            | 48 LBS           | 1               | 32"/144"    |

\* P1SB ships with one of three OAH's (48", 100" or 144") and is field adjustable to the desired height. For OAH over 144", contact your local rep

**P1SC** PENDANT WITH ANGLED AIRCRAFT CABLES AND POWER CORD TO SQUARE CANOPY; MOUNTS TO 4X4 OCTAGON J-BOX (BY OTHERS); REMOTE DRIVER ENCLOSURE



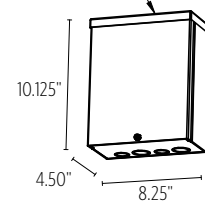
### MOUNTING INFORMATION CHART

| LUMINAIRE SIZE | LUMINAIRE WEIGHT | MOUNTING POINTS | MIN/MAX OAH |
|----------------|------------------|-----------------|-------------|
| 24"            | 14 LBS           | 1               | 10"/144"    |
| 36"            | 20 LBS           | 1               | 12"/144"    |
| 48"            | 26 LBS           | 1               | 19"/144"    |
| 60"            | 39 LBS           | 1               | 38"/144"    |
| 72"            | 48 LBS           | 1               | 46"/144"    |

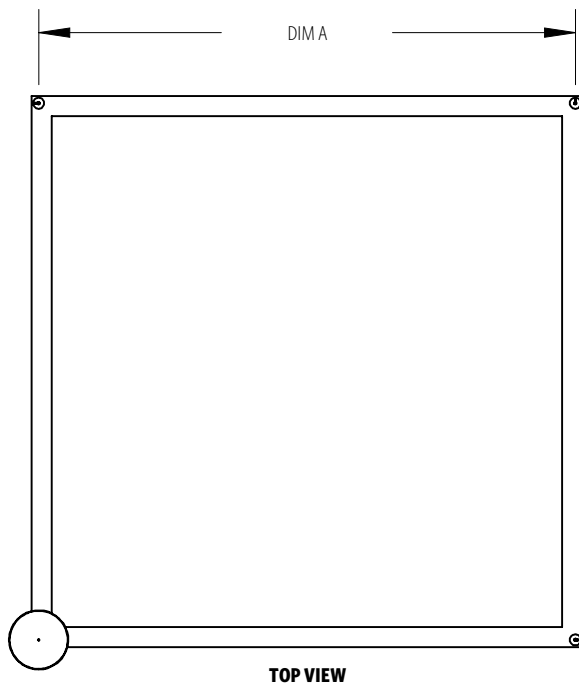
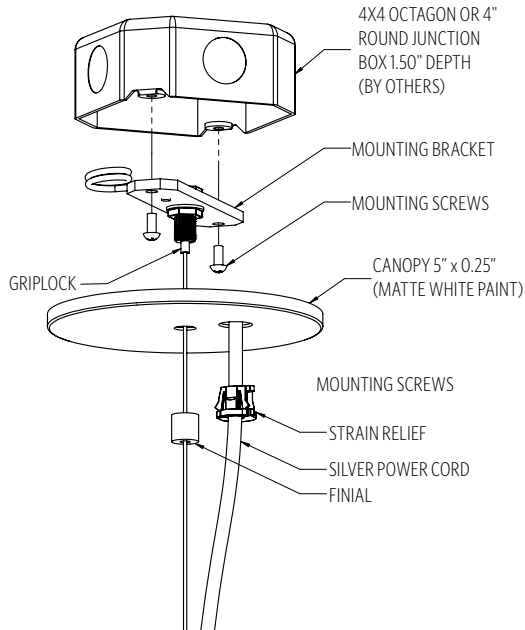
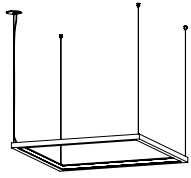
\* P1SC ships with one of three OAH's (48", 100" or 144") and is field adjustable to the desired height. For OAH over 144", contact your local rep.

P1SC will include ETL listed enclosure for remote mounting drivers. Max 30' distance from luminaire for **DM1, DM8, DALI** and **DMX**. Enclosure must remain accessible after installation. For **RGBW** remote box distance, contact your local rep

REMOTE DRIVER HOUSING ENCLOSURE (PROVIDED BY OCL)



**PIEM** PENDANT WITH VERTICAL AIRCRAFT CABLES TO SEPARATE MOUNTING POINTS AND POWER CORD TO CANOPY; MOUNTS TO 4X4 OCTAGON J-BOX (BY OTHERS); REMOTE DRIVER ENCLOSURE



**STATIC WHITE AND TWH1 MOUNTING INFORMATION CHART**

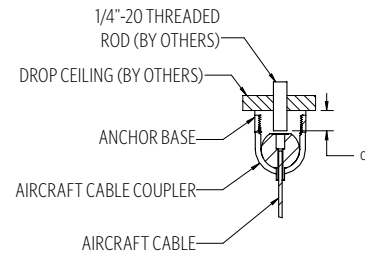
| LUMINAIRE SIZE | LUMINAIRE WEIGHT | SE1 MOUNTING DISTANCE DIM A | SE2 MOUNTING DISTANCE DIM A | SE3 MOUNTING DISTANCE DIM A | MOUNTING POINTS | MIN/MAX OAH |
|----------------|------------------|-----------------------------|-----------------------------|-----------------------------|-----------------|-------------|
| 24"            | 14 LBS           | 22.375                      | 21.25                       | 22.063                      | 4               | 5"/144"     |
| 36"            | 20 LBS           | 34.375                      | 33.25                       | 34.063                      | 4               | 5"/144"     |
| 48"            | 26 LBS           | 46.375                      | 45.25                       | 46.063                      | 4               | 5"/144"     |
| 60"            | 39 LBS           | 58.375                      | 57.25                       | 58.063                      | 4               | 5"/144"     |
| 72"            | 48 LBS           | 70.375                      | 69.25                       | 70.063                      | 4               | 5"/144"     |

**RGBW MOUNTING INFORMATION CHART**

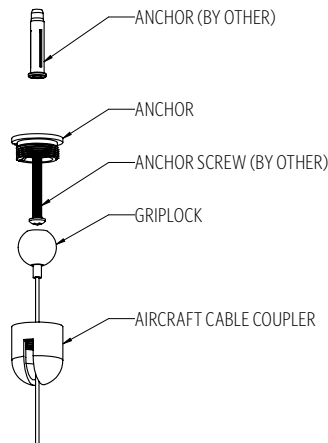
| LUMINAIRE SIZE | LUMINAIRE WEIGHT | SE1 MOUNTING DISTANCE DIM A | SE2 MOUNTING DISTANCE DIM A | SE3 MOUNTING DISTANCE DIM A | MOUNTING POINTS | MIN/MAX OAH |
|----------------|------------------|-----------------------------|-----------------------------|-----------------------------|-----------------|-------------|
| 24"            | 14 LBS           | 20.188                      | 18.938                      | 19.75                       | 4               | 5"/144"     |
| 36"            | 20 LBS           | 32                          | 30.75                       | 31.563                      | 4               | 5"/144"     |
| 48"            | 26 LBS           | 43.813                      | 42.563                      | 43.375                      | 4               | 5"/144"     |
| 60"            | 39 LBS           | 55.563                      | 54.375                      | 55.188                      | 4               | 5"/144"     |
| 72"            | 48 LBS           | 67.438                      | 66.188                      | 67                          | 4               | 5"/144"     |

\* PIEM ships with one of three OAH's (48", 100" or 144") and is field adjustable to the desired height. For OAH over 144", contact your local rep

PIEM will include ETL listed enclosure for remote mounting drivers. Max 30' distance from luminaire for **DM1, DM8, DALI** and **DMX**. Enclosure must remain accessible after installation. For **RGBW** remote box distance, contact factory

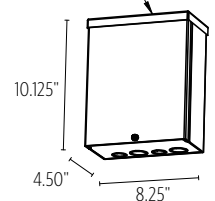


**DROP CEILING**

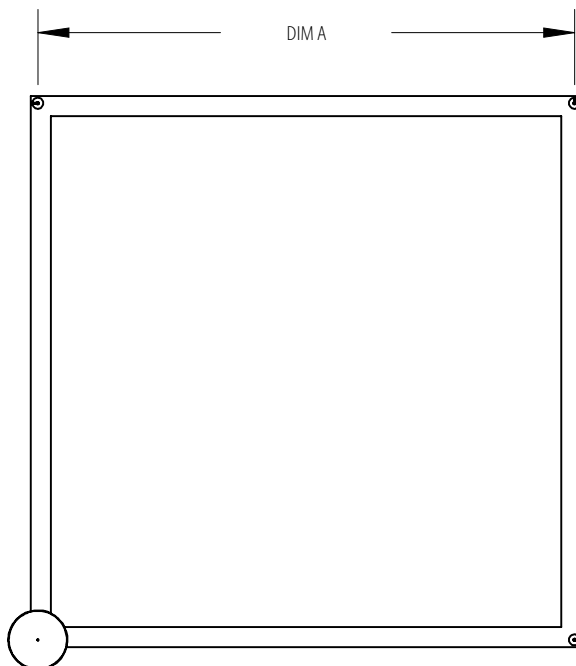
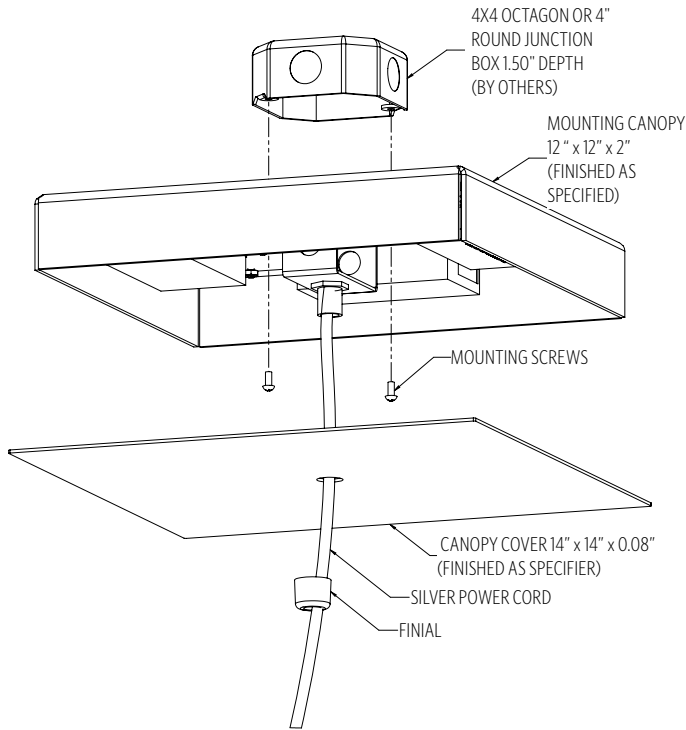
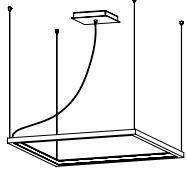


**HARD CEILING**

REMOTE DRIVER HOUSING ENCLOSURE (PROVIDED BY OCL)



**P1SA** PENDANT WITH VERTICAL AIRCRAFT CABLES TO SEPARATE MOUNTING POINTS AND POWER CORD TO SQUARE CANOPY WITH INTEGRAL DRIVER; MOUNTS TO 4X4 OCTAGON J-BOX (BY OTHERS)



**TOP VIEW**

**STATIC WHITE AND TWH1 MOUNTING INFORMATION CHART**

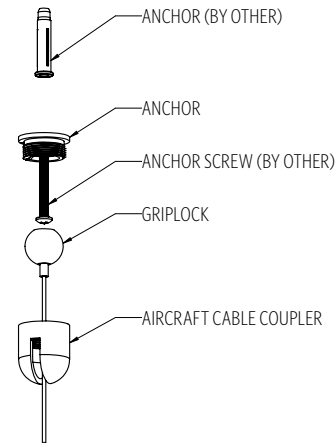
| LUMINAIRE SIZE | LUMINAIRE WEIGHT | SE1 MOUNTING DISTANCE DIM A | SE2 MOUNTING DISTANCE DIM A | SE3 MOUNTING DISTANCE DIM A | MOUNTING POINTS | MIN/MAX OAH |
|----------------|------------------|-----------------------------|-----------------------------|-----------------------------|-----------------|-------------|
| 24"            | 14 LBS           | 22.375                      | 21.25                       | 22.063                      | 4               | 5"/144"     |
| 36"            | 20 LBS           | 34.375                      | 33.25                       | 34.063                      | 4               | 5"/144"     |
| 48"            | 26 LBS           | 46.375                      | 45.25                       | 46.063                      | 4               | 5"/144"     |
| 60"            | 39 LBS           | 58.375                      | 57.25                       | 58.063                      | 4               | 5"/144"     |
| 72"            | 48 LBS           | 70.375                      | 69.25                       | 70.063                      | 4               | 5"/144"     |

**RGBW MOUNTING INFORMATION CHART**

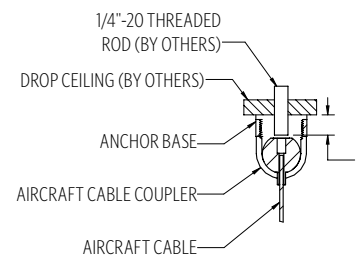
| LUMINAIRE SIZE | LUMINAIRE WEIGHT | SE1 MOUNTING DISTANCE DIM A | SE2 MOUNTING DISTANCE DIM A | SE3 MOUNTING DISTANCE DIM A | MOUNTING POINTS | MIN/MAX OAH |
|----------------|------------------|-----------------------------|-----------------------------|-----------------------------|-----------------|-------------|
| 24"            | 14 LBS           | 20.188                      | 18.938                      | 19.75                       | 4               | 5"/144"     |
| 36"            | 20 LBS           | 32                          | 30.75                       | 31.563                      | 4               | 5"/144"     |
| 48"            | 26 LBS           | 43.813                      | 42.563                      | 43.375                      | 4               | 5"/144"     |
| 60"            | 39 LBS           | 55.563                      | 54.375                      | 55.188                      | 4               | 5"/144"     |
| 72"            | 48 LBS           | 67.438                      | 66.188                      | 67                          | 4               | 5"/144"     |

\* PISA ships with one of three OAH's (48", 100" or 144") and is field adjustable to the desired height. For OAH over 144", contact your local rep

PISA will include ETL listed enclosure for remote mounting drivers. Max 30' distance from luminaire for **DM1, DM8, DALI** and **DMX**. Enclosure must remain accessible after installation. For **RGBW** remote box distance, contact factory



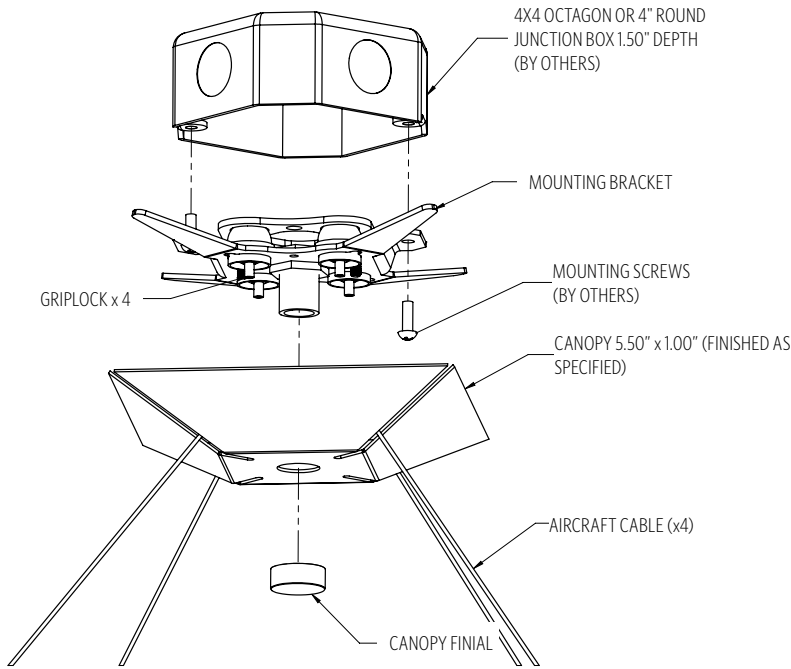
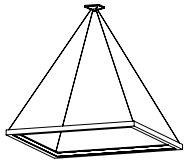
**HARD CEILING**



**DROP CEILING**

## HANGING SYSTEM

**PIPC** **POWER OVER CABLE (POC)** PENDANT WITH ANGLED CABLES TO CANOPY; MOUNTS TO 4X4 OCTAGON J-BOX (BY OTHERS); REMOTE DRIVER ENCLOSURE

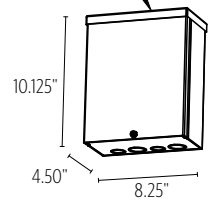


### MOUNTING INFORMATION CHART

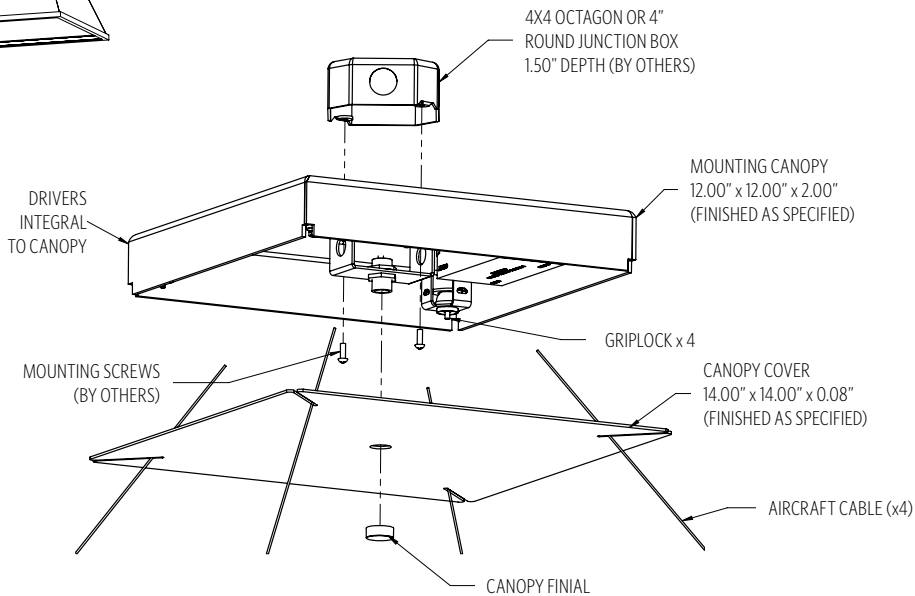
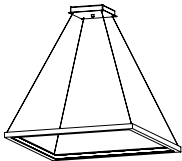
| LUMINAIRE SIZE | LUMINAIRE WEIGHT | MOUNTING POINTS | MIN/MAX OAH |
|----------------|------------------|-----------------|-------------|
| 24"            | 12 LBS           | 1               | 10"/144"    |
| 36"            | 14 LBS           | 1               | 12"/144"    |
| 48"            | 16 LBS           | 1               | 19"/144"    |
| 60"            | 18 LBS           | 1               | 38"/144"    |
| 72"            | 21 LBS           | 1               | 46"/144"    |

**PIPC** ships with one of three OAH's (48", 100" or 144") and is field adjustable to the desired height. **PIPC** will include ETL listed enclosure for remote mounting drivers. Max 30' distance from luminaire.

REMOTE DRIVER HOUSING ENCLOSURE (PROVIDED BY OCL)



**PIPD** **POWER OVER CABLE (POC)** PENDANT WITH ANGLED CABLES TO CANOPY WITH INTEGRAL DRIVER; MOUNTS TO 4X4 OCTAGON J-BOX (BY OTHERS)

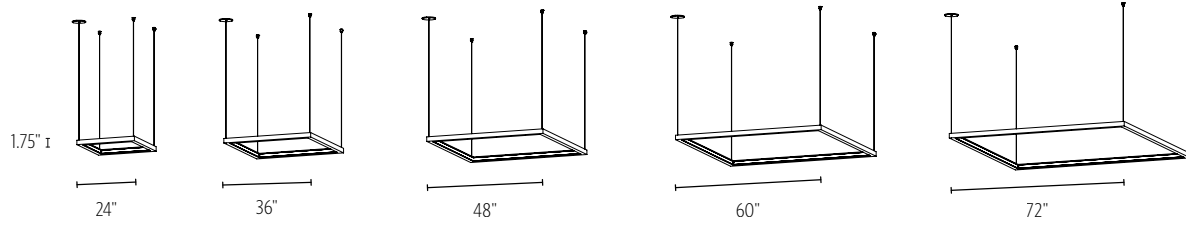


### MOUNTING INFORMATION CHART

| LUMINAIRE SIZE | LUMINAIRE WEIGHT | MOUNTING POINTS | MIN/MAX OAH |
|----------------|------------------|-----------------|-------------|
| 24"            | 12 LBS           | 1               | 8"/144"     |
| 36"            | 14 LBS           | 1               | 15"/144"    |
| 48"            | 16 LBS           | 1               | 22"/144"    |
| 60"            | 18 LBS           | 1               | 26"/144"    |
| 72"            | 21 LBS           | 1               | 32"/144"    |

**PIPD** ships with one of three OAH's (48", 100" or 144") and is field adjustable to the desired height.

## SIZES



## DIFFUSER



**MW** MATTE WHITE

## FINISH

### METALLIC POWDER COAT FINISHES:



**SMP**  
SILVER



**GRP**  
GRAPHITE



**SGP**  
STEEL GRAY



**GLP**  
GOLDTASTIC



**BMP**  
BRASS



**BNP**  
BRONZE

### PREMIUM METAL FINISHES:



**BAL**  
BRUSHED  
ALUMINUM

### SOLID POWDER COAT FINISHES:



**SWP**  
SKY WHITE



**MWP**  
MATTE  
WHITE



**BKP**  
BLACK

### TEXTURED POWDER COAT FINISHES:



**BTP**  
BLACK  
TEXTURED



**WTP**  
WHITE  
TEXTURED

**RAL®, Pantone® or custom finishes are also available.**

These colors are for reference only. Please be aware that colors may vary per monitor. Contact your local rep for finish samples or with any questions.

## ACOUSTIC

### ACOUSTIC COLORS:



**PBK**  
PURE BLACK



**CHG**  
CHARCOAL



**SLT**  
SLATE



**SDG**  
SHADOW  
GRAY



**PIC**  
PEARL ICE



**CWH**  
CLASSIC  
WHITE



**SLG**  
SILVER  
GRAY



**NTL**  
NATURAL  
LINEN



**HZW**  
HAZELWOOD



**CFB**  
CORNFLOWER  
BLUE



**DMB**  
DENIM BLUE



**BRD**  
BRICK RED



**MNB**  
MIDNIGHT  
BLUE



**DPP**  
DEEP  
PURPLE



**BRY**  
BERRY



**CHR**  
CHERRY  
RED



**CRT**  
CARROT



**DWT**  
DEEPWATER



**PNA**  
PINEAPPLE



**LMS**  
LIMESTONE



**EMG**  
EMERALD  
GREEN



**BLS**  
BLUSH



**SFM**  
SEAFOAM

### ABOUT OUR ACOUSTIC PANELS

Flat and Etched acoustic available up to 48" as single panel with no seam. Etched acoustic available in 60" or 72" panels as two panels with center seam hidden within etched pattern and additional bracketry hardware finished as specified (shown below).

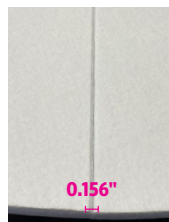
**NOTE:** Visibility of seams & etching can vary by color selection.



**FLAT PANEL**



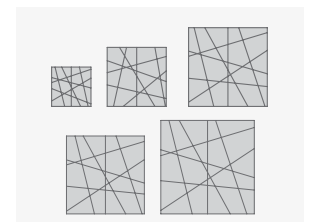
**ETCHED PANEL**



**SEAM DETAIL**



**HARDWARE DETAIL  
(60" & 72" ONLY)**



**PATTERN DETAIL**

## LIGHT SOURCE

|             |                  | SE1 ACOUSTIC |      |      |      |      |
|-------------|------------------|--------------|------|------|------|------|
|             |                  | 24"          | 36"  | 48"  | 60"  | 72"  |
| <b>LED1</b> | LUMENS DELIVERED | 1170         | 1755 | 2385 | 3015 | 3600 |
|             | SYSTEM WATTAGE   | 26           | 39   | 53   | 67   | 80   |
| <b>LED2</b> | LUMENS DELIVERED | 1890         | 2925 | 3645 | 4995 | 6030 |
|             | SYSTEM WATTAGE   | 42           | 65   | 81   | 111  | 134  |

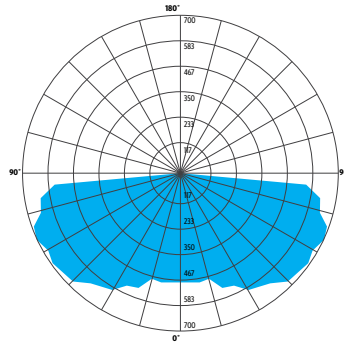
This chart was created for a 35K color temp. Multiply by 0.95 for 27k color temp, 0.97 for 30k color temp, and 1.03 for 40k color temp. Values shown for 80+ CRI. For 90+ CRI lumens use 0.85 multiplier.

| STANDARD COLOR TEMPERATURE OPTIONS | CRI |
|------------------------------------|-----|
| 2700K                              | 80+ |
| 3000K                              | 80+ |
| 3500K                              | 80+ |
| 4000K                              | 80+ |

| % OF LUMINAIRE |        |
|----------------|--------|
| ZONE           | SE1 AC |
| 0-30           | 12%    |
| 0-60           | 52%    |
| 0-90           | 100%   |
| 90-180         | 0%     |
| 0-180          | 100%   |

### PHOTOMETRY:

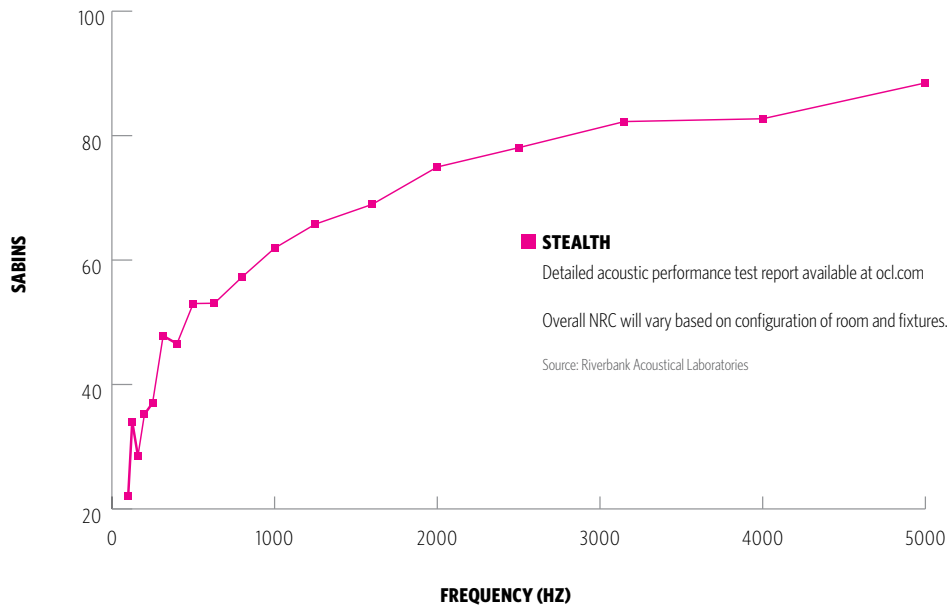
LUMINAIRE: SE1-PIEM-48-MW-PTD-LED2\_35K-UNV-48  
 COLOR TEMP #: 3500K  
 TEST REPORT: TEST NO. 20860.0; 20861.0; 20862.0



For all available IES files, please visit our website at [ocl.com](http://ocl.com).

## ACOUSTICAL TESTING

### STEALTH ACOUSTIC PERFORMANCE (4 UNITS):



## CONTROL

### DM1 0-10V DIMMING 1%

- 0-10V DIMMING PROTOCOL
- 1% MINIMUM DIM LEVEL
- ELECTRONIC DRIVER
- POWER FACTOR >0.9
- THD <20%
- MINIMUM AMBIENT OPERATING TEMPERATURE -31°F
- LINEAR DIMMING CURVE
- FIELD REPLACEABLE

### DALI DALI CONTROL SYSTEM, DIMMABLE 0.1%

- DALI-2 DEVICE TYPE 6 CONTROL PROTOCOL
- 0.1% MINIMUM DIM LEVEL
- ELECTRONIC DRIVER
- POWER FACTOR >0.9
- THD <20%
- MINIMUM AMBIENT OPERATING TEMPERATURE -4°F
- LOGARITHMIC DIMMING CURVE [DEFAULT]
- FIELD REPLACEABLE

### DMX DMX CONTROL DIMMABLE TO 0.1%

- DMX/RDM DIMMING PROTOCOL
- 0.1% MINIMUM DIM LEVEL
- ELECTRONIC DRIVER
- POWER FACTOR >0.9
- THD <20%
- MINIMUM AMBIENT OPERATING TEMPERATURE -4°F
- LOGARITHMIC DIMMING CURVE [DEFAULT]
- FIELD REPLACEABLE

### DM8 DUAL 0-10V DIMMING 0.1%

- 0-10V DIMMING PROTOCOL
- 0.1% MINIMUM DIM LEVEL
- ELECTRONIC DRIVER
- POWER FACTOR >0.9
- THD <20%
- MINIMUM AMBIENT OPERATING TEMPERATURE -4°F
- LOGARITHMIC DIMMING CURVE [DEFAULT]
- FIELD REPLACEABLE

## OPTIONS

### MOD MODIFIED LUMINAIRE

- LUMINAIRE IS MODIFIED FROM STANDARD OPTIONS; CONTACT LOCAL REP FOR MORE INFORMATION

### ACOUSTIC PANEL

- AFFIXED ACOUSTIC PANEL AIDS IN THE REDUCTION OF SOUND REFLECTIONS, REVERBERATION, AND ECHO
- ASTM E-84 CLASS A / CAN ULC S102 FLAME SPREAD: 0 | SMOKE DEVELOPMENT INDEX: 300
- 0.36" (9MM) 100% POLYESTER FIBER PANEL WITH A MINIMUM 50% POST-CONSUMER RECYCLED MATERIAL (PET)
- ACOUSTIC PERFORMANCE (ASTM C423) TEST REPORT AVAILABLE AT OCL.COM
- VARIATIONS IN FIBER MIX AND COLOR MAY OCCUR. ALL PRODUCTS WILL BE SUPPLIED WITHIN COMMERCIAL TOLERANCES
- **CARE & CLEANING:** REMOVE DUST AND DEBRIS WITH A CLEAN, SOFT, LINT-FREE CLOTH OR VACUUM



### BIOS

- **BIOS SKYBLUE™** DYNAMIC LIGHT ENGINE IS DIMMABLE AND FEATURES A SIMPLE APPROACH TO CIRCADIAN LIGHTING CONTROLS.
- WHEN PAIRED WITH THE BIOS BIO-DIMMING MODULE, IT OPERATES USING ANY SINGLE CHANNEL CONSTANT CURRENT (CC) LED DRIVER AND CAN BE USED WITH ANY STANDARD DIMMING INTERFACE/PROTOCOL (0-10V, ELV, DMX, WIRELESS) AND COULD WORK WITH EXISTING TWO-CHANNEL CONTROL SYSTEMS AS WELL.
- VISIT [OCL.COM/BIOS](http://OCL.COM/BIOS) FOR MORE INFORMATION

## SPECIFICATIONS

### CONSTRUCTION

- HOUSING IS EXTRUDED AND WELDED ALUMINUM
- HOUSING CORNERS ARE FULLY WELDED AND GROUND SMOOTH
- DIFFUSER IS EXTRUDED SILICONE
- CANOPY IS FORMED ALUMINUM
- HARDWARE IS ZINC PLATED OR STAINLESS STEEL

### MOUNTING

- **P1SB, P1SC, P1SA, & P1EM** ALL MOUNT TO 4X4" OCTAGON OR 4" ROUND J-BOX (BY OTHER)

### ELECTRICAL

- DIMMING ELECTRONIC DRIVER(S), COMES STANDARD WITH 0-10V DOWN TO 1% (STATIC WHITE)
- OCL PROPRIETARY LED ARRAYS USE NICHIA 757 DIODES (STATIC WHITE)
- **FOR INTEGRAL DRIVERS:** LUMINAIRE CONNECTS TO BUILDING SUPPLY (120V-277V 50/60HZ)
- **FOR REMOTE DRIVERS:** LUMINAIRE WIRE LEADS ARE LOW-VOLTAGE. THE WIRES SHOULD BE CONNECTED TO OCL PROVIDED REMOTE DRIVER ENCLOSURE ONLY!

### LISTING

- ETL LISTED TO UL 1598/2108 FOR DRY LOCATIONS, DAMP LOCATION LISTED IS OPTION

### WARRANTY

- 5 YEAR; ALL ELECTRICAL COMPONENTS RETAIN THE MANUFACTURER'S WARRANTY

### BUILD AMERICA, BUY AMERICA (BABA)

- THIS PRODUCT MEETS THE GUIDELINES FOR THE BUILD AMERICA, BUY AMERICA ACT. **SOME EXCLUSIONS APPLY.** FOR MORE INFORMATION AND A FULL LIST OF ELIGIBLE SKUS, VISIT [OCL.COM/BABA](http://OCL.COM/BABA)

### SUSTAINABILITY

- THIS PRODUCT MEETS THE MATERIAL RESTRICTIONS OF ARTICLE 4 OF THE **ROHS** DIRECTIVE (2011/65/EU), INCLUDING COMMISSION DELEGATED DIRECTIVE 2015/863
- **BIOS** LIGHTING CONTRIBUTES TOWARD THE CIRCADIAN LIGHTING DESIGN FEATURE 54 UNDER THE **WELL BUILDING STANDARD™ V1** AND FEATURE L03 UNDER THE **WELL BUILDING STANDARD V2**

## COMMON MODIFICATIONS

### WE'RE BUILT FOR OUT-OF-THE-BOX THINKERS.

Nearly 50% of OCL fixtures we manufacture have some type of modification. Here is a list of common modifications we frequently produce. **Please contact the factory for modifications specific to your fixture or project.**

Need some help? Simply send your questions to us at [OCL-Quotes@ocl.com](mailto:OCL-Quotes@ocl.com)

- BIOS, TUNABLE WHITE, WARM-DIM, & RGBW LIGHT SOURCES
- SPECIFIC LUMEN OUTPUT
- MODIFIED CLUSTERS OR CONFIGURATIONS / MULTI-DROP CANOPIES
- VARIOUS SHAPES, ARCS, AND CURVES FOR LINEAR PROFILES AND RINGS
- CEILING OR SURFACE MOUNTING
- LARGE SCALE MODIFICATIONS
- RAL, PANTONE, BRAND-SPECIFIC, RETIRED OCL COLOR, OR CUSTOM FINISHES



- EMERGENCY BATTERY BACKUP OR INVERTER OPTIONS
- REMOTE DRIVERS / EXTENDED DISTANCE REMOTE DRIVERS
- DIMMING TO 0.1% (DIM TO DARK)
- NON-STANDARD SIZES OR LENGTHS
- NON-STANDARD CANOPY, BODY AND/OR CORD COLORS
- SEISMIC AND/OR ANTI-SWAY SYSTEMS
- RIGID STEMS
- MODIFIED OVERALL HEIGHTS (LONGER OR SHORTER OAH)
- UPLIGHT ADDITIONS
- LASER ETCHING, ENGRAVING, AND CUTOUTS

The drawings and specifications and ideas, designs and arrangements represented on these drawings are and shall remain the property of The Original Cast Lighting (OCL Architectural Lighting) and no part thereof shall be copied, disclosed, to others or used in conjunction with any work or project other than the specified project for which they have been prepared and developed, without written consent of OCL. Visual contact with these plans or specifications shall constitute conclusive evidence of acceptance of these restrictions. All specifications and information subject to change without notice.