



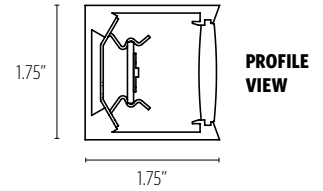
Stealth™ Acoustic

PENDANT



FEATURES

- 0.36" (9MM) ACOUSTIC PANEL MITIGATES SOUND REVERBERATION
- UNIQUE ETCHED PANEL DESIGN HIDES SEAM IN LARGER SIZES
- 1.75" MINIMAL SQUARE PROFILE SIZE
- SILICONE DIFFUSER ELIMINATES LIGHT LEAKS AND VISIBLE SEAMS
- AVAILABLE WITH STANDARD WHITE, TUNABLE WHITE, & RGBW LIGHT SOURCES
- FIELD REPLACEABLE LED ARRAYS AND DRIVER(S) FOR SIMPLE MAINTENANCE
- FIXTURES CAN BE CLUSTERED TOGETHER TO CREATE LARGE SCALE INSTALLATIONS; CUSTOM SIZES, SHAPES, AND CONFIGURATIONS ARE POSSIBLE



CATALOG CODES

A	B	C	MW	E	F	UNV	H	DM1	J
SERIES	HANGING SYSTEM	SIZE	DIFFUSER	FINISH	LIGHT SOURCE	VOLTAGE	OAH	CONTROL	OPTIONS

SPECIFY CATALOG CODE									
A	B		C		D		E		
SERIES	HANGING SYSTEM		SIZE		DIFFUSER		FINISH		
SE1 SE2 SE3	PISB	PENDANT WITH ANGLED AIRCRAFT CABLES AND POWER CORD TO SQUARE CANOPY WITH INTEGRAL DRIVER; MOUNTS TO 4X4 OCTAGON J-BOX (BY OTHERS) NOTE: STATIC WHITE ONLY	FLAT ACOUSTIC PANEL ETCHED ACOUSTIC PANEL 24 24EP 36 36EP 48 48EP 60EP 72EP	MW MATTE WHITE	POWDER COAT FINISHES BKP BLACK MWP MATTE WHITE BMP BRASS METALLIC SGP STEEL GRAY BNP BRONZE SMP SILVER METALLIC BTP BLACK TEXTURED SWP SKY WHITE GRP GRAPHITE WTP WHITE TEXTURED GLP GOLDTASTIC				
	PISC	PENDANT WITH ANGLED AIRCRAFT CABLES AND POWER CORD TO SQUARE CANOPY; MOUNTS TO 4X4 OCTAGON J-BOX (BY OTHERS); REMOTE DRIVER ENCLOSURE			PREMIUM METAL FINISHES BAL BRUSHED ALUMINUM				
	PIEM	PENDANT WITH VERTICAL AIRCRAFT CABLES TO SEPARATE MOUNTING POINTS AND POWER CORD TO CANOPY; MOUNTS TO 4X4 OCTAGON J-BOX (BY OTHERS); REMOTE DRIVER ENCLOSURE							
	PISA	PENDANT WITH VERTICAL AIRCRAFT CABLES TO SEPARATE MOUNTING POINTS AND POWER CORD TO SQUARE CANOPY WITH INTEGRAL DRIVER; MOUNTS TO 4X4 OCTAGON J-BOX (BY OTHERS) NOTE: STATIC WHITE ONLY							

F			G		H	I		J										
LIGHT SOURCE			VOLTAGE		OAH*	CONTROL		OPTIONS										
LED OUTPUT	COLOR TEMP	COLOR TEMP	UNV	120-277	48	DM1	0-10V DIMMING 1%	MOD	MODIFIED LUMINAIRE (CONTACT LOCAL REP)	BIOS	BIOS SKYBLUE™ OR BIOS SKLYBLUE™ DYNAMIC LIGHT ENGINE**							
LED1	(80+ CRI)	(90+ CRI)																
LED2	27K	927K																
	30K	930K																
	35K	935K			100	DM8	DUAL 0-10V DIMMABLE TO 0.1%	ACUSTIC COLORS	HWZ	HAZELWOOD	CRT	CARROT						
	40K	940K			144								DALI	DALI TYPE 8 CONTROL SYSTEM, DIMMABLE TO 0.1%	CFB	CORNFLOWER BLUE	DWT	DEEPWATER
TWH1	TUNABLE WHITE																	
RGBW	RGBW					SDG	SHADOW GRAY	BRD	BRICK RED	LMS	LIMESTONE							
												PIC	PEARL ICE	MNB	MIDNIGHT BLUE	EMG	EMERALD GREEN	
																		CWH
						SLG	SILVER GRAY	BRY	BERRY	BLS	BLUSH							
												NTL	NATURAL LINEN	CHR	CHERRY RED	SFM	SEAFOAM	
																		NOTE: Flat and Etched acoustic available up to 48" as single panel with no seam. Etched acoustic available in 60" or 72" panels as two panels with center seam hidden within etched pattern and additional bracketry hardware finished as specified (shown below).

SAMPLE CODE: SE1-PIEM-36-MW-WTP-LED1/30K-UNV-100-DM1-PBK

*Ships with one of three OAH's (48", 100" or 144") and is field adjustable to the desired height

**Contact factory for BIOS SkyBlue® or BIOS SkyBlue® Dynamic light engine and control options.

Fixtures with PIEM hanging system, canopy will be MWP unless specified.

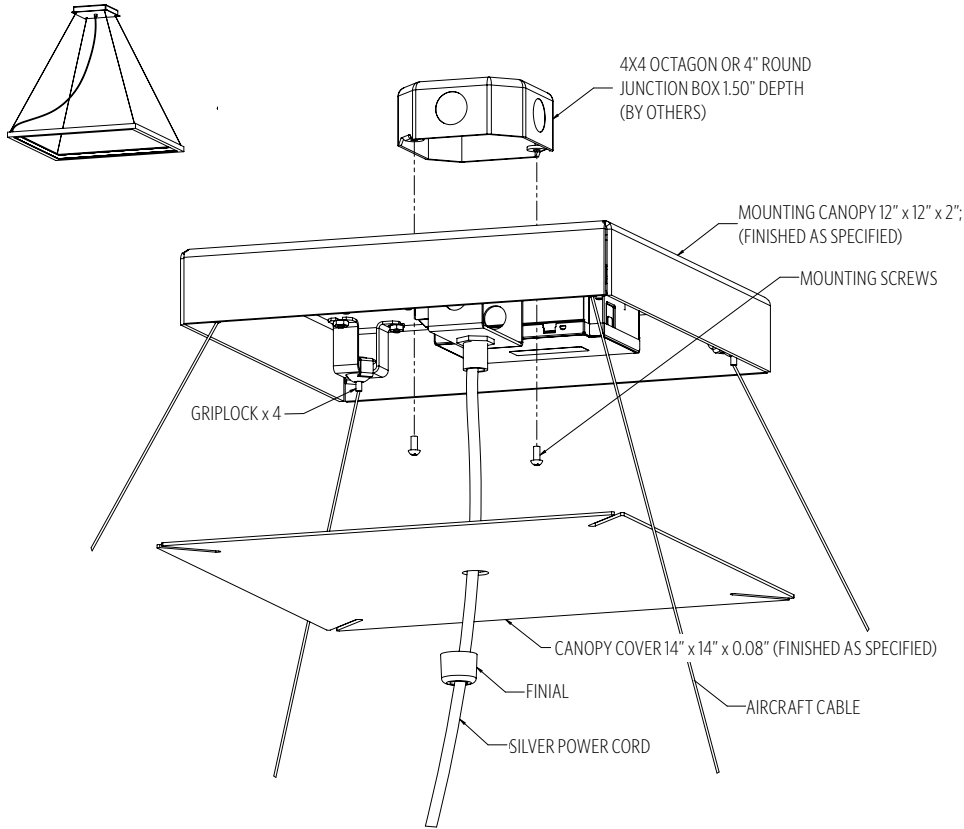
Fixtures with PISB, PISC and PISA hanging system, canopy will match finish choice.

Power cord silver unless specified.

MODS, NOTES, & COMMENTS

HANGING SYSTEM

P1SB PENDANT WITH ANGLED AIRCRAFT CABLES AND POWER CORD TO SQUARE CANOPY WITH INTEGRAL DRIVER; MOUNTS TO 4X4 OCTAGON J-BOX (BY OTHERS)

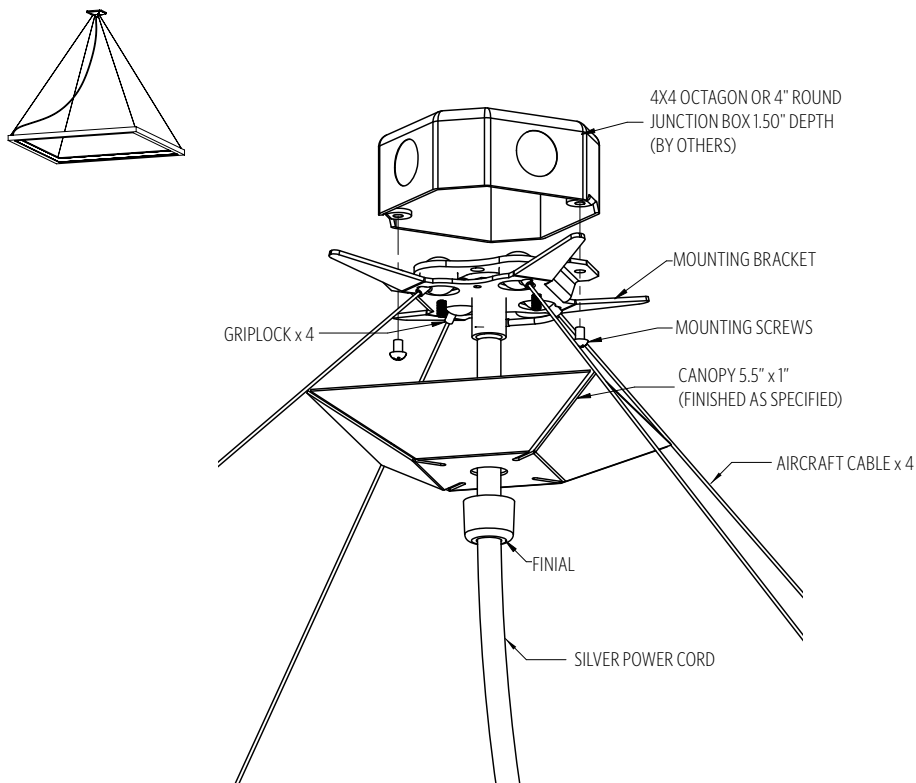


MOUNTING INFORMATION CHART

LUMINAIRE SIZE	LUMINAIRE WEIGHT	MOUNTING POINTS	MIN/MAX OAH
24"	14 LBS	1	8"/144"
36"	20 LBS	1	15"/144"
48"	26 LBS	1	22"/144"
60"	39 LBS	1	26"/144"
72"	48 LBS	1	32"/144"

* P1SB ships with one of three OAH's (48", 100" or 144") and is field adjustable to the desired height. For OAH over 144", contact your local rep

P1SC PENDANT WITH ANGLED AIRCRAFT CABLES AND POWER CORD TO SQUARE CANOPY; MOUNTS TO 4X4 OCTAGON J-BOX (BY OTHERS); REMOTE DRIVER ENCLOSURE



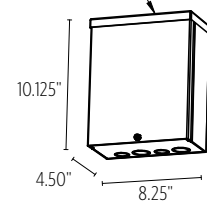
MOUNTING INFORMATION CHART

LUMINAIRE SIZE	LUMINAIRE WEIGHT	MOUNTING POINTS	MIN/MAX OAH
24"	14 LBS	1	10"/144"
36"	20 LBS	1	12"/144"
48"	26 LBS	1	19"/144"
60"	39 LBS	1	38"/144"
72"	48 LBS	1	46"/144"

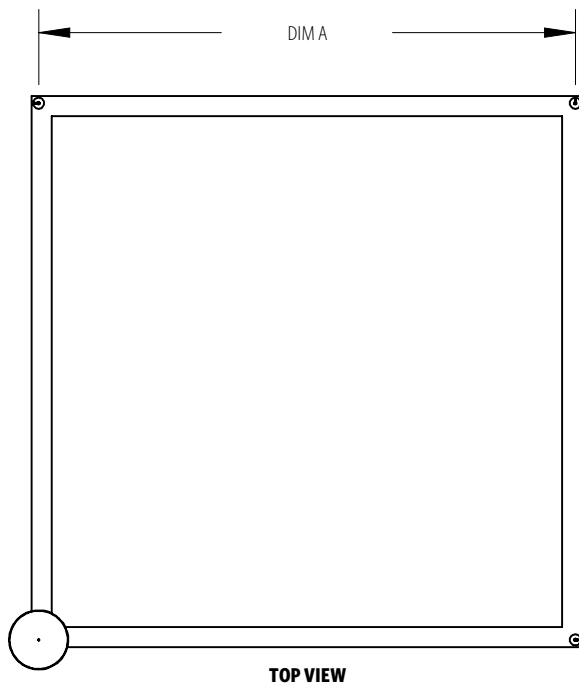
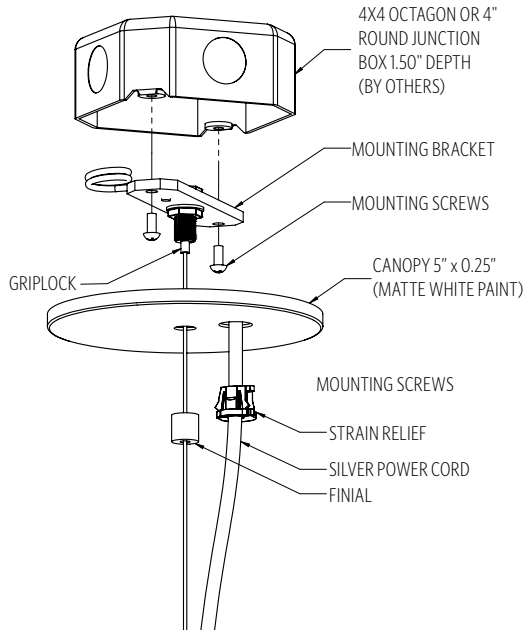
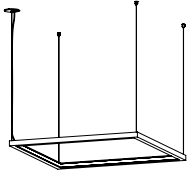
* P1SC ships with one of three OAH's (48", 100" or 144") and is field adjustable to the desired height. For OAH over 144", contact your local rep.

P1SC will include ETL listed enclosure for remote mounting drivers. Max 30' distance from luminaire for **DM1, DM8, DALI** and **DMX**. Enclosure must remain accessible after installation. For **RGBW** remote box distance, contact your local rep

REMOTE DRIVER HOUSING ENCLOSURE (PROVIDED BY OCL)



PIEM PENDANT WITH VERTICAL AIRCRAFT CABLES TO SEPARATE MOUNTING POINTS AND POWER CORD TO CANOPY; MOUNTS TO 4X4 OCTAGON J-BOX (BY OTHERS); REMOTE DRIVER ENCLOSURE



STATIC WHITE AND TWH1 MOUNTING INFORMATION CHART

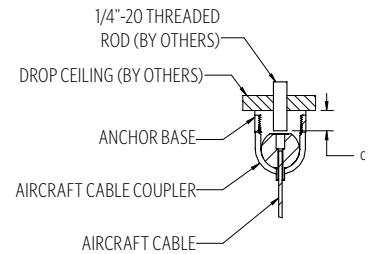
LUMINAIRE SIZE	LUMINAIRE WEIGHT	SE1 MOUNTING DISTANCE DIM A	SE2 MOUNTING DISTANCE DIM A	SE3 MOUNTING DISTANCE DIM A	MOUNTING POINTS	MIN/MAX OAH
24"	14 LBS	22.375	21.25	22.063	4	5"/144"
36"	20 LBS	34.375	33.25	34.063	4	5"/144"
48"	26 LBS	46.375	45.25	46.063	4	5"/144"
60"	39 LBS	58.375	57.25	58.063	4	5"/144"
72"	48 LBS	70.375	69.25	70.063	4	5"/144"

RGBW MOUNTING INFORMATION CHART

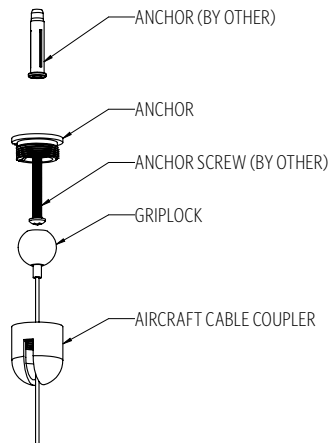
LUMINAIRE SIZE	LUMINAIRE WEIGHT	SE1 MOUNTING DISTANCE DIM A	SE2 MOUNTING DISTANCE DIM A	SE3 MOUNTING DISTANCE DIM A	MOUNTING POINTS	MIN/MAX OAH
24"	14 LBS	20.188	18.938	19.75	4	5"/144"
36"	20 LBS	32	30.75	31.563	4	5"/144"
48"	26 LBS	43.813	42.563	43.375	4	5"/144"
60"	39 LBS	55.563	54.375	55.188	4	5"/144"
72"	48 LBS	67.438	66.188	67	4	5"/144"

* PIEM ships with one of three OAH's (48", 100" or 144") and is field adjustable to the desired height. For OAH over 144", contact your local rep

PIEM will include ETL listed enclosure for remote mounting drivers. Max 30' distance from luminaire for **DM1, DM8, DALI** and **DMX**. Enclosure must remain accessible after installation. For **RGBW** remote box distance, contact factory

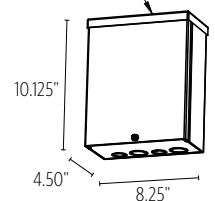


DROP CEILING

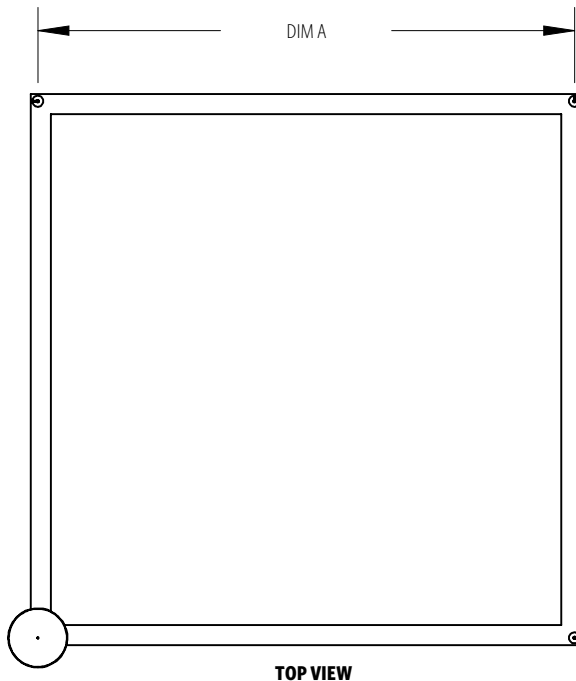
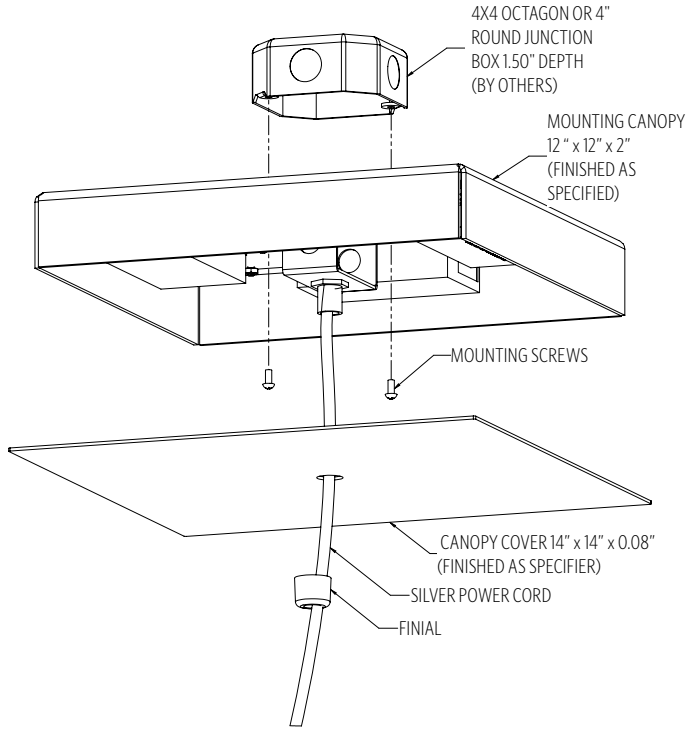
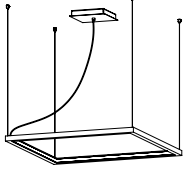


HARD CEILING

REMOTE DRIVER HOUSING ENCLOSURE (PROVIDED BY OCL)



P1SA PENDANT WITH VERTICAL AIRCRAFT CABLES TO SEPARATE MOUNTING POINTS AND POWER CORD TO SQUARE CANOPY WITH INTEGRAL DRIVER; MOUNTS TO 4X4 OCTAGON J-BOX (BY OTHERS)



STATIC WHITE AND TWH1 MOUNTING INFORMATION CHART

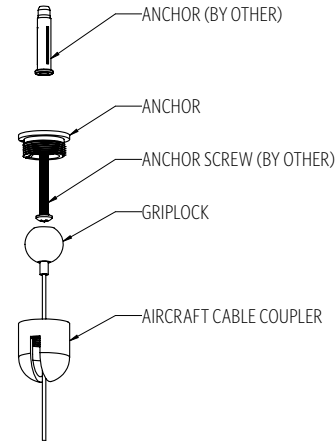
LUMINAIRE SIZE	LUMINAIRE WEIGHT	SE1 MOUNTING DISTANCE DIM A	SE2 MOUNTING DISTANCE DIM A	SE3 MOUNTING DISTANCE DIM A	MOUNTING POINTS	MIN/MAX OAH
24"	14 LBS	22.375	21.25	22.063	4	5"/144"
36"	20 LBS	34.375	33.25	34.063	4	5"/144"
48"	26 LBS	46.375	45.25	46.063	4	5"/144"
60"	39 LBS	58.375	57.25	58.063	4	5"/144"
72"	48 LBS	70.375	69.25	70.063	4	5"/144"

RGBW MOUNTING INFORMATION CHART

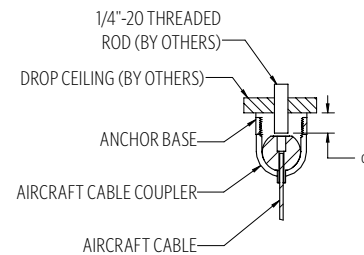
LUMINAIRE SIZE	LUMINAIRE WEIGHT	SE1 MOUNTING DISTANCE DIM A	SE2 MOUNTING DISTANCE DIM A	SE3 MOUNTING DISTANCE DIM A	MOUNTING POINTS	MIN/MAX OAH
24"	14 LBS	20.188	18.938	19.75	4	5"/144"
36"	20 LBS	32	30.75	31.563	4	5"/144"
48"	26 LBS	43.813	42.563	43.375	4	5"/144"
60"	39 LBS	55.563	54.375	55.188	4	5"/144"
72"	48 LBS	67.438	66.188	67	4	5"/144"

* PISA ships with one of three OAH's (48", 100" or 144") and is field adjustable to the desired height. For OAH over 144", contact your local rep

PISA will include ETL listed enclosure for remote mounting drivers. Max 30' distance from luminaire for **DM1, DM8, DALI** and **DMX**. Enclosure must remain accessible after installation. For **RGBW** remote box distance, contact factory

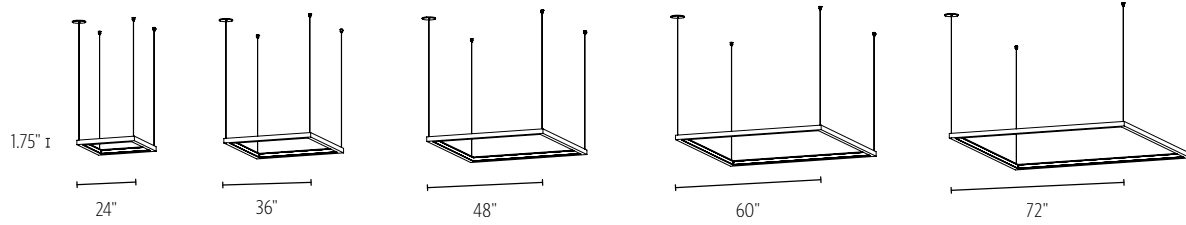


HARD CEILING



DROP CEILING

SIZES



DIFFUSER

FINISH



MW MATTE WHITE

METALLIC POWDER COAT FINISHES:



SMP
SILVER



GRP
GRAPHITE



SGP
STEEL GRAY



GLP
GOLDTASTIC



BMP
BRASS



BNP
BRONZE



BAL
BRUSHED
ALUMINUM

PREMIUM METAL FINISHES:

SOLID POWDER COAT FINISHES:



SWP
SKY WHITE



MWP
MATTE
WHITE



BKP
BLACK

TEXTURED POWDER COAT FINISHES:



BTP
BLACK
TEXTURED



WTP
WHITE
TEXTURED

RAL, Pantone or custom finishes are also available.

These colors are for reference only. Please be aware that colors may vary per monitor. Contact your local rep for finish samples or with any questions.

ACOUSTIC

ACOUSTIC COLORS:



PBK
PURE BLACK



CHG
CHARCOAL



SLT
SLATE



SDG
SHADOW
GRAY



PIC
PEARL ICE



CWH
CLASSIC
WHITE



SLG
SILVER
GRAY



NTL
NATURAL
LINEN



HZW
HAZELWOOD



CFB
CORNFLOWER
BLUE



DMB
DENIM BLUE



BRD
BRICK RED



MNB
MIDNIGHT
BLUE



DPP
DEEP
PURPLE



BRY
BERRY



CHR
CHERRY
RED



CRT
CARROT



DWT
DEEPWATER



PNA
PINEAPPLE



LMS
LIMESTONE



EMG
EMERALD
GREEN



CNM
CINNAMON



BLS
BLUSH



SFM
SEAFOAM

ABOUT OUR ACOUSTIC PANELS

Flat and Etched acoustic available up to 48" as single panel with no seam. Etched acoustic available in 60" or 72" panels as two panels with center seam hidden within etched pattern and additional bracketry hardware finished as specified (shown below).

NOTE: Visibility of seams & etching can vary by color selection.



FLAT PANEL



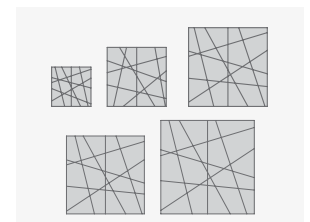
ETCHED PANEL



SEAM DETAIL



**HARDWARE DETAIL
(60" & 72" ONLY)**



PATTERN DETAIL

LIGHT SOURCE

		SE1 ACOUSTIC				
		24"	36"	48"	60"	72"
LED1	LUMENS DELIVERED	1170	1755	2385	3015	3600
	SYSTEM WATTAGE	26	39	53	67	80
LED2	LUMENS DELIVERED	1890	2925	3645	4995	6030
	SYSTEM WATTAGE	42	65	81	111	134
TWH1	LUMENS DELIVERED	-	-	-	-	-
	SYSTEM WATTAGE	17	27	36	45	54
RGBW	LUMENS DELIVERED	272	424	568	720	872
	SYSTEM WATTAGE	34	53	71	90	109

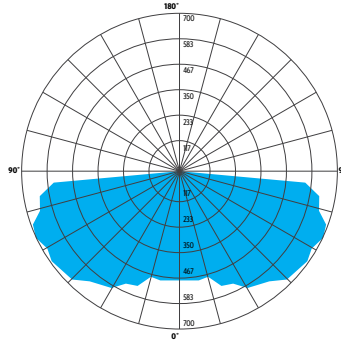
STANDARD COLOR TEMPERATURE OPTIONS	CRI
2700K	80+
3000K	80+
3500K	80+
4000K	80+
TUNABLE WHITE	90+
RGBW	80+

% OF LUMINAIRE	
ZONE	SE1 AC
0-30	12%
0-60	52%
0-90	100%
90-180	0%
0-180	100%

This chart was created for a 35K color temp. Multiply by 0.95 for 27k color temp, 0.97 for 30k color temp, and 1.03 for 40k color temp. Wattage and lumen data for **TWH1** and **RGBW** approx. pending LM-79 testing.

PHOTOMETRY:

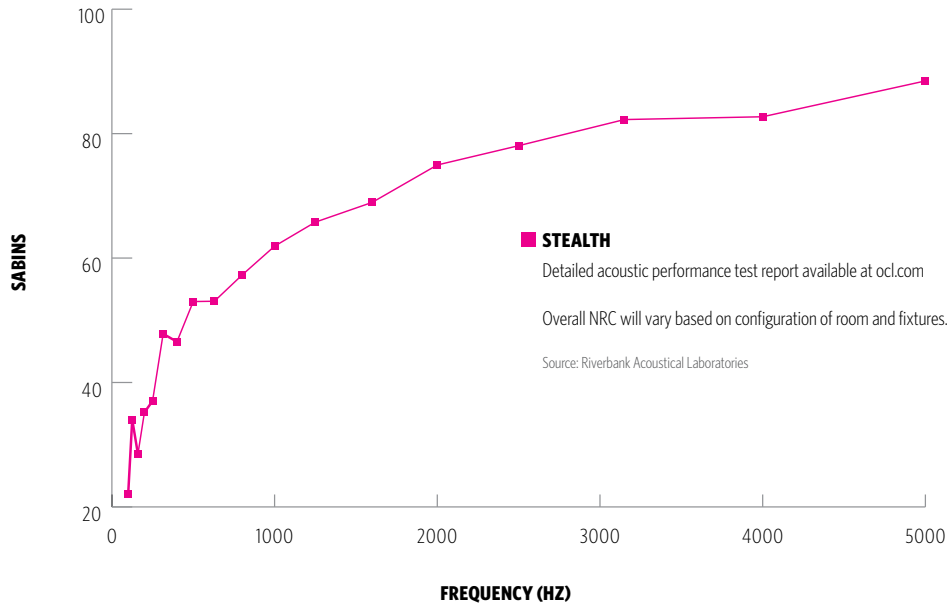
LUMINAIRE: SE1-PIEM-48-MW-PTD-LED2_35K-UNV-48
 COLOR TEMP #: 3500K
 TEST REPORT: TEST NO. 20860.0; 20861.0; 20862.0



For all available IES files, please visit our website at ocl.com.

ACOUSTICAL TESTING

STEALTH ACOUSTIC PERFORMANCE (4 UNITS):



CONTROL

DM1 0-10V DIMMING 1%

- 0-10V DIMMING PROTOCOL
- 1% MINIMUM DIM LEVEL
- ELECTRONIC DRIVER
- POWER FACTOR >0.9
- THD <20%
- MINIMUM AMBIENT OPERATING TEMPERATURE -31°F
- LINEAR DIMMING CURVE
- FIELD REPLACEABLE

DALI DALI CONTROL SYSTEM, DIMMABLE 0.1%

- DALI-2 DEVICE TYPE 6 CONTROL PROTOCOL
- 0.1% MINIMUM DIM LEVEL
- ELECTRONIC DRIVER
- POWER FACTOR >0.9
- THD <20%
- MINIMUM AMBIENT OPERATING TEMPERATURE -4°F
- LOGARITHMIC DIMMING CURVE [DEFAULT]
- FIELD REPLACEABLE

DMX DMX CONTROL DIMMABLE TO 0.1%

- DMX/RDM DIMMING PROTOCOL
- 0.1% MINIMUM DIM LEVEL
- ELECTRONIC DRIVER
- POWER FACTOR >0.9
- THD <20%
- MINIMUM AMBIENT OPERATING TEMPERATURE -4°F
- LOGARITHMIC DIMMING CURVE [DEFAULT]
- FIELD REPLACEABLE

DM8 DUAL 0-10V DIMMING 0.1%

- 0-10V DIMMING PROTOCOL
- 0.1% MINIMUM DIM LEVEL
- ELECTRONIC DRIVER
- POWER FACTOR >0.9
- THD <20%
- MINIMUM AMBIENT OPERATING TEMPERATURE -4°F
- LOGARITHMIC DIMMING CURVE [DEFAULT]
- FIELD REPLACEABLE

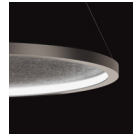
OPTIONS

MOD MODIFIED LUMINAIRE

- LUMINAIRE IS MODIFIED FROM STANDARD OPTIONS; CONTACT LOCAL REP FOR MORE INFORMATION

ACOUSTIC PANEL

- AFFIXED ACOUSTIC PANEL AIDS IN THE REDUCTION OF SOUND REFLECTIONS, REVERBERATION, AND ECHO
- ASTM E-84 CLASS A / CAN ULC S102 FLAME SPREAD: 0 | SMOKE DEVELOPMENT INDEX: 300
- 0.36" (9MM) 100% POLYESTER FIBER PANEL WITH A MINIMUM 50% POST-CONSUMER RECYCLED MATERIAL (PET)
- ACOUSTIC PERFORMANCE (ASTM C423) TEST REPORT AVAILABLE AT OCL.COM
- VARIATIONS IN FIBER MIX AND COLOR MAY OCCUR. ALL PRODUCTS WILL BE SUPPLIED WITHIN COMMERCIAL TOLERANCES
- CARE & CLEANING:** REMOVE DUST AND DEBRIS WITH A CLEAN, SOFT, LINT-FREE CLOTH OR VACUUM



BIOS

- BIOS SKYBLUE™** DYNAMIC LIGHT ENGINE IS DIMMABLE AND FEATURES A SIMPLE APPROACH TO CIRCADIAN LIGHTING CONTROLS.
- WHEN PAIRED WITH THE BIOS BIO-DIMMING MODULE, IT OPERATES USING ANY SINGLE CHANNEL CONSTANT CURRENT (CC) LED DRIVER AND CAN BE USED WITH ANY STANDARD DIMMING INTERFACE/PROTOCOL (0-10V, ELV, DMX, WIRELESS) AND COULD WORK WITH EXISTING TWO-CHANNEL CONTROL SYSTEMS AS WELL.
- VISIT OCL.COM/BIOS FOR MORE INFORMATION

SPECIFICATIONS

CONSTRUCTION

- HOUSING IS EXTRUDED AND WELDED ALUMINUM
- HOUSING CORNERS ARE FULLY WELDED AND GROUND SMOOTH
- DIFFUSER IS EXTRUDED SILICONE
- CANOPY IS FORMED ALUMINUM
- HARDWARE IS ZINC PLATED OR STAINLESS STEEL

MOUNTING

- PISB, PISC, PISA & PIEM** ALL MOUNT TO 4X4" OCTAGON OR 4" ROUND J-BOX (BY OTHER)

ELECTRICAL

- DIMMING ELECTRONIC DRIVER(S), COMES STANDARD WITH 0-10V DOWN TO 1% (STATIC WHITE)
- OCL PROPRIETARY LED ARRAYS USE NICHIA 757 DIODES (STATIC WHITE)
- FOR INTEGRAL DRIVERS:** LUMINAIRE CONNECTS TO BUILDING SUPPLY (120V-277V 50/60HZ)
- FOR REMOTE DRIVERS:** LUMINAIRE WIRE LEADS ARE LOW-VOLTAGE. THE WIRES SHOULD BE CONNECTED TO OCL PROVIDED REMOTE DRIVER ENCLOSURE ONLY!

LISTING

- ETL LISTED TO UL 1598/2108 FOR DRY LOCATIONS, DAMP LOCATION LISTED IS OPTION

WARRANTY

- 5 YEAR; ALL ELECTRICAL COMPONENTS RETAIN THE MANUFACTURER'S WARRANTY

SUSTAINABILITY

- THIS PRODUCT MEETS THE MATERIAL RESTRICTIONS OF ARTICLE 4 OF THE **ROHS** DIRECTIVE (2011/65/EU), INCLUDING COMMISSION DELEGATED DIRECTIVE 2015/863
- BIOS** LIGHTING CONTRIBUTES TOWARD THE CIRCADIAN LIGHTING DESIGN FEATURE 54 UNDER THE **WELL BUILDING STANDARD™ V1** AND FEATURE L03 UNDER THE **WELL BUILDING STANDARD V2**

COMMON MODIFICATIONS

WE'RE BUILT FOR OUT-OF-THE-BOX THINKERS.

Nearly 50% of OCL fixtures we manufacture have some type of modification. Here is a list of common modifications we frequently produce. **Please contact the factory for modifications specific to your fixture or project.**

Need some help? Simply send your questions to us at OCL-Quotes@ocl.com

- BIOS, TUNABLE WHITE, WARM-DIM, & RGBW LIGHT SOURCES
- SPECIFIC LUMEN OUTPUT
- MODIFIED CLUSTERS OR CONFIGURATIONS / MULTI-DROP CANOPIES
- VARIOUS SHAPES, ARCS, AND CURVES FOR LINEAR PROFILES AND RINGS
- CEILING OR SURFACE MOUNTING
- LARGE SCALE MODIFICATIONS
- RAL, PANTONE, BRAND-SPECIFIC, RETIRED OCL COLOR, OR CUSTOM FINISHES



- EMERGENCY BATTERY BACKUP OR INVERTER OPTIONS
- REMOTE DRIVERS / EXTENDED DISTANCE REMOTE DRIVERS
- DIMMING TO 0.1% (DIM TO DARK)
- NON-STANDARD SIZES OR LENGTHS
- NON-STANDARD CANOPY, BODY AND/OR CORD COLORS
- SEISMIC AND/OR ANTI-SWAY SYSTEMS
- RIGID STEMS
- MODIFIED OVERALL HEIGHTS (LONGER OR SHORTER OAH)
- UPLIGHT ADDITIONS
- LASER ETCHING, ENGRAVING, AND CUTOUTS

The drawings and specifications and ideas, designs and arrangements represented on these drawings are and shall remain the property of The Original Cast Lighting (OCL Architectural Lighting) and no part thereof shall be copied, disclosed, to others or used in conjunction with any work or project other than the specified project for which they have been prepared and developed, without written consent of OCL. Visual contact with these plans or specifications shall constitute conclusive evidence of acceptance of these restrictions. All specifications and information subject to change without notice.