

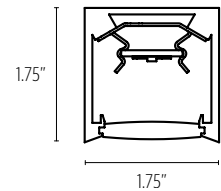


# Rev™ Acoustic

TUNABLE WHITE/RGBW PENDANT

### FEATURES

- 0.36" (9MM) ACOUSTIC PANEL MITIGATES SOUND REVERBERATION
- UNIQUE ETCHED PANEL DESIGN HIDES SEAM IN LARGER SIZES
- 1.75" MINIMAL SQUARE PROFILE SIZE
- SILICONE DIFFUSER ELIMINATES LIGHT LEAKS AND VISIBLE SEAMS
- FIELD REPLACEABLE LED ARRAYS AND DRIVER(S) FOR SIMPLE MAINTENANCE
- FIXTURES CAN BE CLUSTERED TOGETHER TO CREATE LARGE SCALE INSTALLATIONS
- CUSTOM SIZES, SHAPES, AND CONFIGURATIONS ARE POSSIBLE - REFER TO REV SHAPES SPEC SHEET FOR DETAILS



PROFILE VIEW



### CATALOG CODES

A	B	C	MW	E	f	UNV	H	I	J
SERIES	HANGING SYSTEM	SIZE	DIFFUSER	FINISH	LIGHT SOURCE	VOLTAGE	OAH	CONTROL	OPTIONS

SPECIFY CATALOG CODE				
A	B	C	D	E
SERIES	HANGING SYSTEM	SIZE	DIFFUSER	FINISH
 RV1 REV IN   RV2 REV OUT	<b>PIEM</b> PENDANT WITH VERTICAL AIRCRAFT CABLES TO SEPARATE MOUNTING POINTS AND POWER CORD TO CANOPY; MOUNTS TO 4X4 OCTAGON J-BOX (BY OTHERS); <u>REMOTE</u> DRIVER ENCLOSURE  <b>PIEU</b> PENDANT WITH 4 ANGLED AIRCRAFT CABLES AND POWER CORD TO CANOPY; MOUNTS TO 4X4 OCTAGON J-BOX (BY OTHERS); <u>REMOTE</u> DRIVER ENCLOSURE	<b>FLAT ACOUSTIC PANEL</b>  24 36 48	<b>ETCHED ACOUSTIC PANEL</b>  24EP 36EP 48EP 60EP 72EP	<b>MW</b> MATTE WHITE  <b>POWDER COAT FINISHES</b> <b>BKP</b> BLACK <b>BMP</b> BRASS METALLIC <b>BNP</b> BRONZE <b>BTP</b> BLACK TEXTURED <b>GRP</b> GRAPHITE <b>GLP</b> GOLDTASTIC <b>MWP</b> MATTE WHITE <b>SGP</b> STEEL GRAY <b>SMP</b> SILVER METALLIC <b>SWP</b> SKY WHITE <b>WTP</b> WHITE TEXTURED  <b>PREMIUM METAL FINISHES</b> <b>BAL</b> BRUSHED ALUMINUM

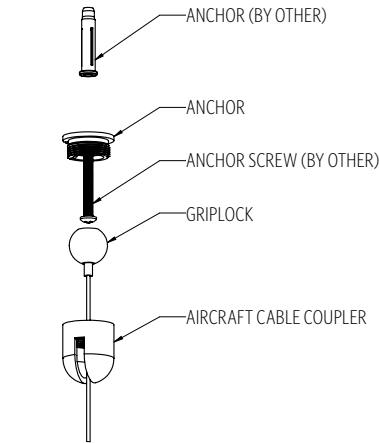
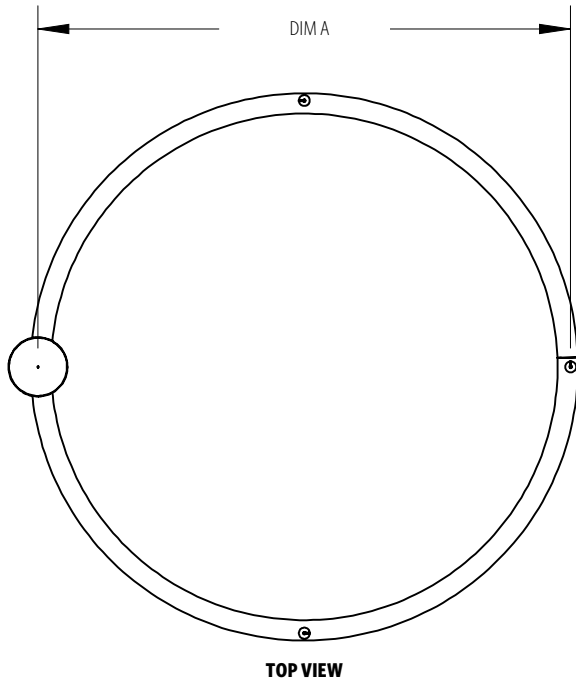
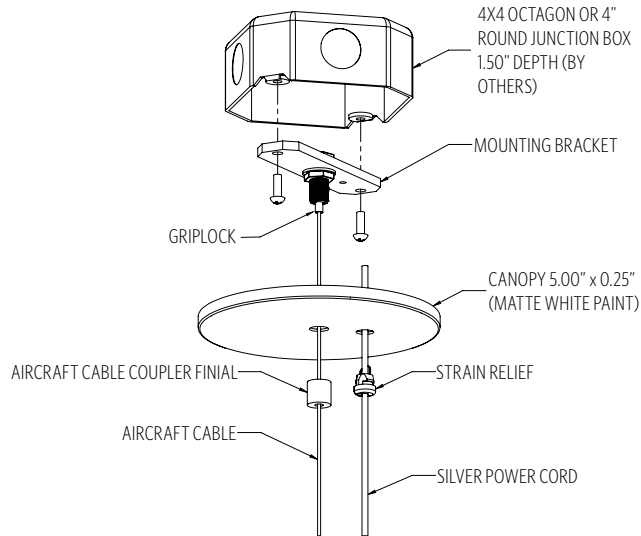
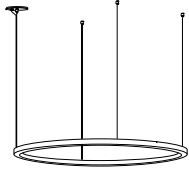
F		G	H	I	J
LIGHT SOURCE		VOLTAGE	OAH*	CONTROL	OPTIONS
<b>LED OUTPUT</b> TWH1	<b>COLOR TEMP</b> TUNABLE WHITE 2700K - 6500K CRI=90+ R9=50+	<b>UNV</b> 120-277	48 100 144	<b>DM8</b> DUAL 0-10V DIMMABLE TO 0.1% <b>DALI</b> DALI TYPE 8 CONTROL SYSTEM, DIMMABLE TO 0.1%  <b>DMX</b> DMX CONTROL; DIMMABLE TO 0.1%	<b>MOD</b> MODIFIED LUMINAIRE (CONTACT LOCAL REP)  <b>ACOUSTIC COLORS</b> <b>PBK</b> PURE BLACK <b>CHG</b> CHARCOAL <b>SLT</b> SLATE <b>SDG</b> SHADOW GRAY <b>PIC</b> PEARL ICE <b>CWH</b> CLASSIC WHITE <b>SLG</b> SILVER GRAY <b>NTL</b> NATURAL LINEN  <b>HZW</b> HAZELWOOD <b>DNB</b> CORNFLOWER BLUE <b>CFB</b> DENIM BLUE <b>BRD</b> BRICK RED <b>MNB</b> MIDNIGHT BLUE <b>DPP</b> DEEP PURPLE <b>BRY</b> BERRY <b>CHR</b> CHERRY RED  <b>CRT</b> CARROT <b>DWT</b> DEEPWATER <b>PNA</b> PINEAPPLE <b>LMS</b> LIMESTONE <b>EMG</b> EMERALD GREEN <b>CNM</b> CINNAMON <b>BLS</b> BLUSH <b>SFM</b> SEAFOAM  <b>NOTE:</b> Flat and Etched acoustic available up to 48" as single panel with no seam. Etched acoustic available in 60" or 72" panels as two panels with center seam hidden within etched pattern and additional bracketry hardware finished as specified (shown below).

SAMPLE CODE: RV1-PIEM-36-MW-WTP-TWH1-UNV-100-DM8-PBK

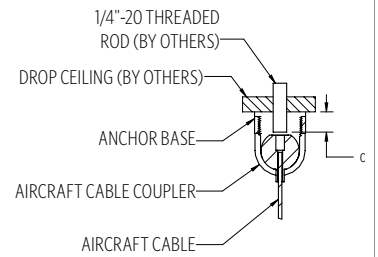
\*Ships with one of three OAH's (48", 100" or 144") and is field adjustable to the desired height  
 Fixtures with **PIEM** hanging system, canopy will be MWP unless specified.  
 Fixtures with **PIEU** hanging system, canopy will match finish choice.  
 Power cord silver unless specified.

### MODS, NOTES, & COMMENTS

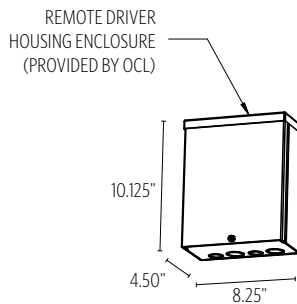
**PIEM** PENDANT WITH VERTICAL AIRCRAFT CABLES TO SEPARATE MOUNTING POINTS AND POWER CORD TO CANOPY; MOUNTS TO 4X4 OCTAGON J-BOX (BY OTHERS); REMOTE DRIVER ENCLOSURE



**HARD CEILING**



**DROP CEILING**



**TUNABLE WHITE MOUNTING INFORMATION CHART**

LUMINAIRE DIAMETER	LUMINAIRE WEIGHT	RV1 MOUNTING DISTANCE DIM A	RV2 MOUNTING DISTANCE DIM A	MOUNTING POINTS	MIN/MAX OAH
24"	10 LBS	22.50	21.6875	4	5"/144"
36"	13 LBS	34.50	33.75	4	5"/144"
48"	17 LBS	46	44.6875	4	5"/144"
60"	19 LBS	57.50	57.50	4	5"/144"
72"	22 LBS	70.25	68.875	4	5"/144"

**RGBW MOUNTING INFORMATION CHART**

LUMINAIRE DIAMETER	LUMINAIRE WEIGHT	RV1 MOUNTING DISTANCE DIM A	RV2 MOUNTING DISTANCE DIM A	MOUNTING POINTS	MIN/MAX OAH
24"	10 LBS	22.75	20.00	4	5"/144"
36"	13 LBS	32.75	32.625	4	5"/144"
48"	17 LBS	45.375	45.250	4	5"/144"
60"	19 LBS	55.375	55.250	4	5"/144"
72"	22 LBS	70.375	65.250	4	5"/144"

**PIEM** ships with one of three OAH's (48", 100" or 144") and is field adjustable to the desired height. For OAH over 144", contact your local rep

**PIEM** will include ETL listed enclosure for remote mounting drivers. For **TWH1** and **RGBW** remote box distance, refer to the chart below

**MAX WIRE LENGTH FROM DRIVER REMOTE BOX TO LUMINAIRE**

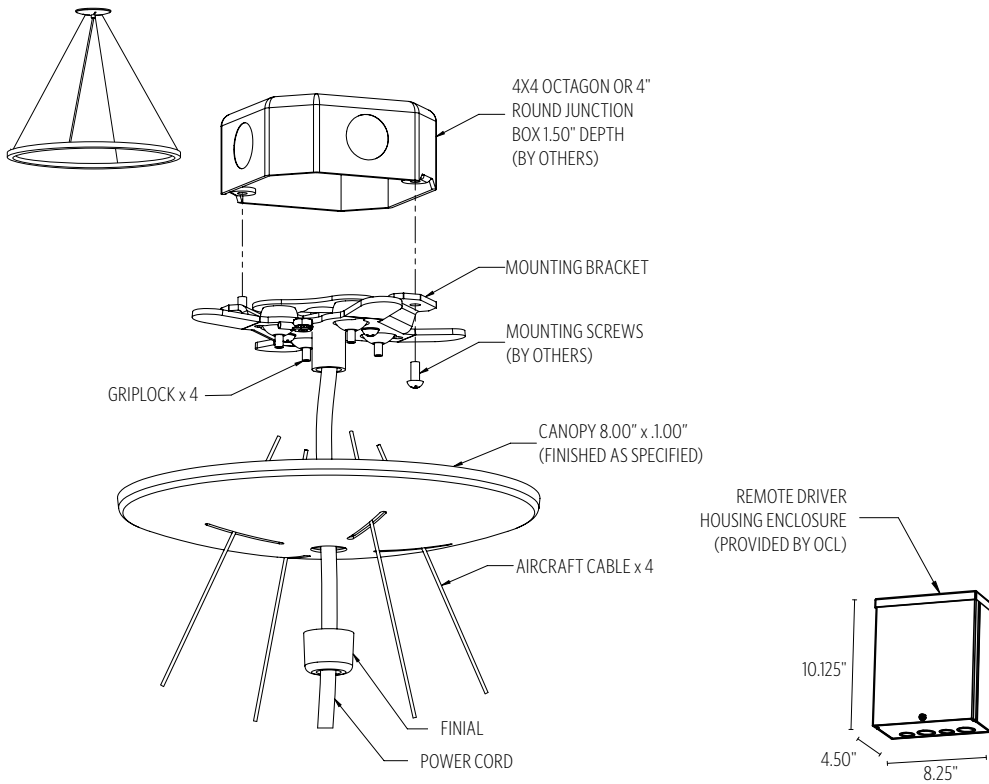
AWG* VALUE	20	10	18	17	16
DISTANCE (m)	14	18	22	28	36
DISTANCE (ft)	46	59	72	92	118

\*American Wire Gauge (AWG) is the standard way to denote cross-directional diameter of individual wire in North America.

Please observe voltage drops over long wire length. Longer wire lengths increase EMI susceptibility.

## HANGING SYSTEM

**PIEU** PENDANT WITH 4 ANGLED AIRCRAFT CABLES AND POWER CORD TO CANOPY; MOUNTS TO 4X4 OCTAGON J-BOX (BY OTHERS); REMOTE DRIVER ENCLOSURE



### MOUNTING INFORMATION CHART

LUMINAIRE DIAMETER	LUMINAIRE WEIGHT	MOUNTING POINTS	MIN/MAX OAH
24"	10 LBS	1	10"/144"
36"	13 LBS	1	12"/144"
48"	17 LBS	1	19"/144"
60"	19 LBS	1	38"/144"
72"	22 LBS	1	46"/144"

**PIEU** ships with one of three OAH's (48", 100" or 144") and is field adjustable to the desired height. **PIEU** will include ETL listed enclosure for remote mounting drivers. Max 30' distance from luminaire for **DM8**, **DALI** or **DMX**. Enclosure must remain accessible after installation. For **RGBW** remote box distance, contact factory

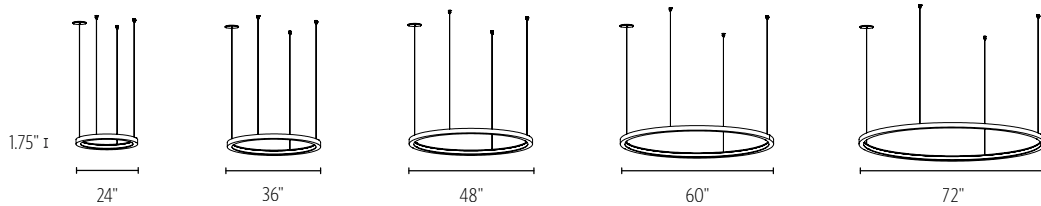
### MAX WIRE LENGTH FROM DRIVER REMOTE BOX TO LUMINAIRE

AWG* VALUE	20	10	18	17	16
DISTANCE (m)	14	18	22	28	36
DISTANCE (ft)	46	59	72	92	118

\*American Wire Gauge (AWG) is the standard way to denote cross-directional diameter of individual wire in North America.

Please observe voltage drops over long wire length; Longer wire lengths increase EMI susceptibility.

## SIZES



## DIFFUSER



**MW** MATTE WHITE SILICONE

## FINISH

### METALLIC POWDER COAT FINISHES:



**SMP**  
SILVER



**GRP**  
GRAPHITE



**SGP**  
STEEL GRAY



**GLP**  
GOLDTASTIC



**BMP**  
BRASS



**BNP**  
BRONZE

### PREMIUM METAL FINISHES:



**BAL**  
BRUSHED ALUMINUM

### SOLID POWDER COAT FINISHES:



**SWP**  
SKY WHITE



**MWP**  
MATTE WHITE



**BKP**  
BLACK

### TEXTURED POWDER COAT FINISHES:



**BTP**  
BLACK TEXTURED



**WTP**  
WHITE TEXTURED

**RAL**, **Pantone**® or custom finishes are also available.

These colors are for reference only. Please be aware that colors may vary per monitor. Contact your local rep for finish samples or with any questions.

## ACOUSTIC

### ACOUSTIC COLORS:



Wattage and lumen data for **TWH1** and **RGBW** approx. pending LM-79 testing

### ABOUT OUR ACOUSTIC PANELS

Flat and Etched acoustic available up to 48" as single panel with no seam. Etched acoustic available in 60" or 72" panels as two panels with center seam hidden within etched pattern and additional bracketry hardware finished as specified (shown below).

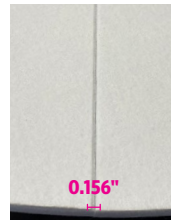
**NOTE:** Visibility of seams & etching can vary by color selection.



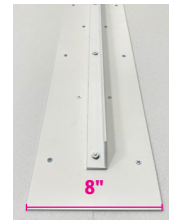
FLAT PANEL



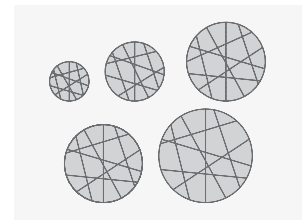
ETCHED PANEL



SEAM DETAIL



HARDWARE DETAIL  
(60" & 72" ONLY)



PATTERN DETAIL

## LIGHT SOURCE

		RV1 ACOUSTIC					RV2 ACOUSTIC				
		24"	36"	48"	60"	72"	24"	36"	48"	60"	72"
<b>TWH1</b>	LUMENS DELIVERED	-	-	-	-	-	-	-	-	-	-
	SYSTEM WATTAGE	19	28	38	47	57	19	28	38	47	57
<b>RGBW</b>	LUMENS DELIVERED	294	417	581	711	900	346	490	682	835	1056
	SYSTEM WATTAGE	36	51	71	87	110	36	51	71	87	110

Wattage and lumen data for **TWH1** and **RGBW** approx. pending LM-79 testing.

### PHOTOMETRY:

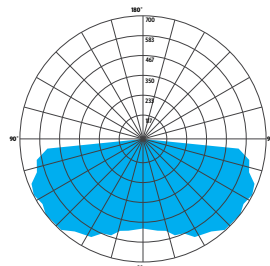
LUMINAIRE: RVX-PIEM-48-MW-PTD-LED2\_35K-UNV-48  
TEST REPORT: TEST NO. 20925.0; 20926.0

For all available IES files, please visit our website at ocl.com.

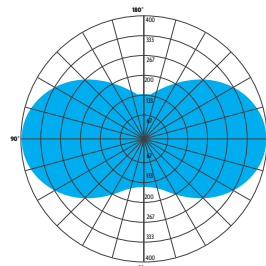
STANDARD COLOR TEMPERATURE OPTIONS	CRI (RA)
TWH1	90+
RGBW	N/A

For 90+ CRI - 90 RA, R9 > 50

ZONE	% OF LUMINAIRE	
	RV1	RV2
0-30	4%	4%
0-60	22%	20%
0-90	50%	51%
90-180	50%	49%
0-180	100%	100%



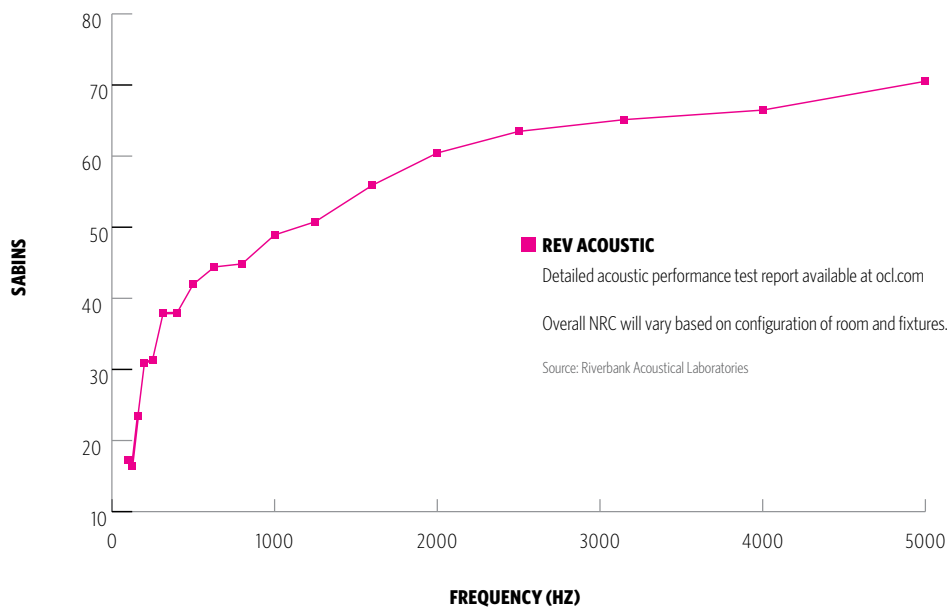
RV1



RV2

## ACOUSTICAL TESTING

### REV ACOUSTIC PERFORMANCE (4 UNITS):



## CONTROL

### DM1 0-10V DIMMING 1%

- 0-10V DIMMING PROTOCOL
- 1% MINIMUM DIM LEVEL
- ELECTRONIC DRIVER
- POWER FACTOR >0.9
- THD <20%
- MINIMUM AMBIENT OPERATING TEMPERATURE -31°F
- LINEAR DIMMING CURVE
- FIELD REPLACEABLE

## OPTIONS

### MOD MODIFIED LUMINAIRE

- LUMINAIRE IS MODIFIED FROM STANDARD OPTIONS; CONTACT LOCAL REP FOR MORE INFORMATION

### ACOUSTIC PANEL

- AFFIXED ACOUSTIC PANEL AIDS IN THE REDUCTION OF SOUND REFLECTIONS, REVERBERATION, AND ECHO
- ASTM E-84 CLASS A / CAN ULC S102 FLAME SPREAD: 0 | SMOKE DEVELOPMENT INDEX: 300
- 0.36" (9MM) 100% POLYESTER FIBER PANEL WITH A MINIMUM 50% POST-CONSUMER RECYCLED MATERIAL (PET)
- ACOUSTIC PERFORMANCE (ASTM C423) TEST REPORT AVAILABLE AT [OCL.COM](http://OCL.COM)
- VARIATIONS IN FIBER MIX AND COLOR MAY OCCUR. ALL PRODUCTS WILL BE SUPPLIED WITHIN COMMERCIAL TOLERANCES
- **CARE & CLEANING:** REMOVE DUST AND DEBRIS WITH A CLEAN, SOFT, LINT-FREE CLOTH OR VACUUM



## SPECIFICATIONS

### CONSTRUCTION

- HOUSING IS EXTRUDED AND WELDED ALUMINUM
- HOUSING SEAMS ARE FULLY WELDED AND GROUND SMOOTH
- DIFFUSER IS EXTRUDED SILICONE
- CANOPY IS FORMED ALUMINUM
- HARDWARE IS ZINC PLATED OR STAINLESS STEEL

### MOUNTING

- **PIEM** AND **PIEU** ALL MOUNT TO 4X4" OCTAGON OR 4" ROUND J-BOX (BY OTHER)

### ELECTRICAL

- DIMMING ELECTRONIC DRIVER(S), COMES STANDARD WITH 0-10V DOWN TO 1%
- OCL PROPRIETARY LED ARRAYS USE NICHIA 757 DIODES
- **FOR INTEGRAL DRIVERS:** LUMINAIRE CONNECTS TO BUILDING SUPPLY (120V-277V 50/60HZ)
- **FOR REMOTE DRIVERS:** LUMINAIRE WIRE LEADS ARE LOW-VOLTAGE. THE WIRES SHOULD BE CONNECTED TO OCL PROVIDED REMOTE DRIVER ENCLOSURE ONLY!

### LISTING

- ETL LISTED TO UL 1598/2108 FOR DRY LOCATIONS

### WARRANTY

- 5 YEAR; ALL ELECTRICAL COMPONENTS RETAIN THE MANUFACTURER'S WARRANTY

### SUSTAINABILITY

- THIS PRODUCT MEETS THE MATERIAL RESTRICTIONS OF ARTICLE 4 OF THE **ROHS** DIRECTIVE (2011/65/EU), INCLUDING COMMISSION DELEGATED DIRECTIVE 2015/863

## COMMON MODIFICATIONS

### WE'RE BUILT FOR OUT-OF-THE-BOX THINKERS.

Nearly 50% of OCL fixtures we manufacture have some type of modification. Here is a list of common modifications we frequently produce. **Please contact the factory for modifications specific to your fixture or project.**

Need some help? Simply send your questions to us at [OCL-Quotes@ocl.com](mailto:OCL-Quotes@ocl.com)

- BIOS, TUNABLE WHITE, WARM-DIM, & RGBW LIGHT SOURCES
- SPECIFIC LUMEN OUTPUT
- MODIFIED CLUSTERS OR CONFIGURATIONS / MULTI-DROP CANOPIES
- VARIOUS SHAPES, ARCS, AND CURVES FOR LINEAR PROFILES AND RINGS
- CEILING OR SURFACE MOUNTING
- LARGE SCALE MODIFICATIONS
- RAL, PANTONE, BRAND-SPECIFIC, RETIRED OCL COLOR, OR CUSTOM FINISHES



- EMERGENCY BATTERY BACKUP OR INVERTER OPTIONS
- REMOTE DRIVERS / EXTENDED DISTANCE REMOTE DRIVERS
- DIMMING TO 0.1% (DIM TO DARK)
- NON-STANDARD SIZES OR LENGTHS
- NON-STANDARD CANOPY, BODY AND/OR CORD COLORS
- SEISMIC AND/OR ANTI-SWAY SYSTEMS
- RIGID STEMS
- MODIFIED OVERALL HEIGHTS (LONGER OR SHORTER OAH)
- UPLIGHT ADDITIONS
- LASER ETCHING, ENGRAVING, AND CUTOUTS

The drawings and specifications and ideas, designs and arrangements represented on these drawings are and shall remain the property of The Original Cast Lighting (OCL Architectural Lighting) and no part thereof shall be copied, disclosed, to others or used in conjunction with any work or project other than the specified project for which they have been prepared and developed, without written consent of OCL. Visual contact with these plans or specifications shall constitute conclusive evidence of acceptance of these restrictions. All specifications and information subject to change without notice.