

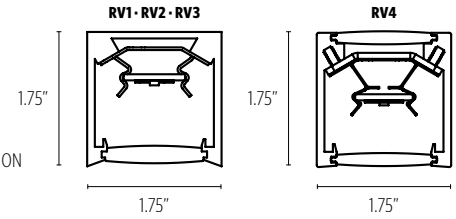


Rev™ Acoustic

PENDANT

FEATURES

- 0.36" (9MM) ACOUSTIC PANEL MITIGATES SOUND REVERBERATION
- UNIQUE ETCHED PANEL DESIGN HIDES SEAM IN LARGER SIZES
- 1.75" MINIMAL SQUARE PROFILE SIZE
- SILICONE DIFFUSER ELIMINATES LIGHT LEAKS AND VISIBLE SEAMS
- FIELD REPLACEABLE LED ARRAYS AND DRIVER(S) FOR SIMPLE MAINTENANCE
- FIXTURES CAN BE CLUSTERED TOGETHER TO CREATE LARGE SCALE INSTALLATIONS
- CUSTOM SIZES, SHAPES, AND CONFIGURATIONS ARE POSSIBLE - REFER TO REV SHAPES SPEC SHEET FOR DETAILS



PROFILE VIEW



MADE IN USA **bios** ILLUMINATED

CATALOG CODES

A	B	C	MW	E	I	UNV	H	DM1	J
SERIES	HANGING SYSTEM	SIZE	DIFFUSER	FINISH	LIGHT SOURCE	VOLTAGE	OAH	CONTROL	OPTIONS

SPECIFY CATALOG CODE										
A	B				C		D	E		
SERIES	HANGING SYSTEM				SIZE	DIFFUSER	FINISH			
RV1 REV IN	PIDB	PENDANT WITH ANGLED AIRCRAFT CABLES AND POWER CORD TO CANOPY WITH INTEGRAL DRIVER; MOUNTS TO 4X4 OCTAGON J-BOX (BY OTHERS)			FLAT ACOUSTIC PANEL	ETCHED ACOUSTIC PANEL	MW MATTE WHITE	POWDER COAT FINISHES		
RV2 REV OUT	PIEU	PENDANT WITH ANGLED AIRCRAFT CABLES AND POWER CORD TO CANOPY; MOUNTS TO 4X4 OCTAGON J-BOX (BY OTHERS); <u>REMOTE</u> DRIVER ENCLOSURE								
RV3 REV DOWN	PIEM	PENDANT WITH VERTICAL AIRCRAFT CABLES TO SEPARATE MOUNTING POINTS AND POWER CORD TO CANOPY; MOUNTS TO 4X4 OCTAGON J-BOX (BY OTHERS); <u>REMOTE</u> DRIVER ENCLOSURE			24	24EP	BKP BLACK BMP BRASS METALLIC BNP BRONZE BTP BLACK TEXTURED GRP GRAPHITE GLP GOLDTASTIC MWP MATTE WHITE SGP STEEL GRAY SMP SILVER METALLIC SWP SKY WHITE WTP WHITE TEXTURED			
RV4 REV UP/DOWN	PIDA	PENDANT WITH VERTICAL AIRCRAFT CABLES TO SEPARATE MOUNTING POINTS AND POWER CORD TO CANOPY WITH INTEGRAL DRIVER; MOUNTS TO 4X4 OCTAGON J-BOX (BY OTHERS)			36	36EP				
	PIPA	POWER OVER CABLE (POC) PENDANT WITH ANGLED CABLES TO CANOPY; MOUNTS TO 4X4 OCTAGON J-BOX (BY OTHERS); <u>REMOTE</u> DRIVER ENCLOSURE			48	48EP				
	PIPB	POWER OVER CABLE (POC) PENDANT WITH ANGLED CABLES TO CANOPY WITH INTEGRAL DRIVER; MOUNTS TO 4X4 OCTAGON J-BOX (BY OTHERS)			60EP	72EP				
							PREMIUM METAL FINISHES			
							BAL BRUSHED ALUMINUM			

F			G	H	I	J			
LIGHT SOURCE			VOLTAGE	OAH*	CONTROL	OPTIONS			
LED OUTPUT	COLOR TEMP	COLOR TEMP	UNV 120-277	48	DM1 0-10V DIMMING 1%	MOD MODIFIED LUMINAIRE (CONTACT LOCAL REP)	BIOS BIOS SKYBLUE™ OR BIOS SKYBLUE™ DYNAMIC LIGHT ENGINE**		
LED1	(80+ CRI)	(90+ CRI)				ACOUSTIC COLORS			
LED2	27K	927K		100		PBK PURE BLACK	HZW HAZELWOOD	CRT CARROT	
	30K	930K		144		CHG CHARCOAL	CFB CORNFLOWER BLUE	DWT DEEPWATER	
	35K	935K				SLT SLATE	DNB DENIM BLUE	PNA PINEAPPLE	
	40K	940K				SDG SHADOW GRAY	BRD BRICK RED	LMS LIMESTONE	
						PIC PEARL ICE	MNB MIDNIGHT BLUE	EMG EMERALD GREEN	
						CWH CLASSIC WHITE	DPP DEEP PURPLE	CNM CINNAMON	
						SLG SILVER GRAY	BRY BERRY	BLS BLUSH	
						NTL NATURAL LINEN	CHR CHERRY RED	SFM SEAFOAM	
<p>NOTE: Flat and Etched acoustic available up to 48" as single panel with no seam. Etched acoustic available in 60" or 72" panels as two panels with center seam hidden within etched pattern and additional bracketry hardware finished as specified (shown below).</p>									

SAMPLE CODE: RV1-PIEM-36-MW-WTP-LED1/30K-UNV-100-DM1-PBK

*Ships with one of three OAH's (48", 100" or 144") and is field adjustable to the desired height

Contact factory for **BIOS SkyBlue® or **BIOS SkyBlue® Dynamic** light engine and control options.

Fixtures with **PIEM** hanging system, canopy will be MWP unless specified.

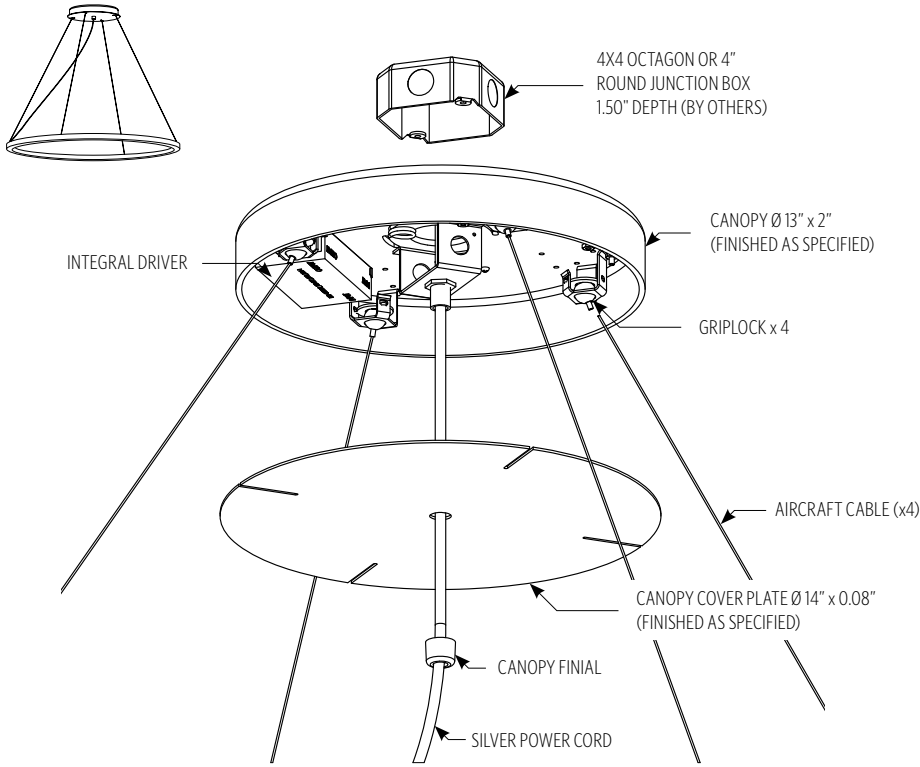
Fixtures with **PIDA, PIEU, PIDB, PIPA, and PIPB** hanging system, canopy will match finish choice.

Power cord silver unless specified.

MODS, NOTES, & COMMENTS

HANGING SYSTEM

P1DB PENDANT WITH ANGLED AIRCRAFT CABLES AND POWER CORD TO CANOPY WITH INTEGRAL DRIVER; MOUNTS TO 4X4 OCTAGON J-BOX (BY OTHERS)

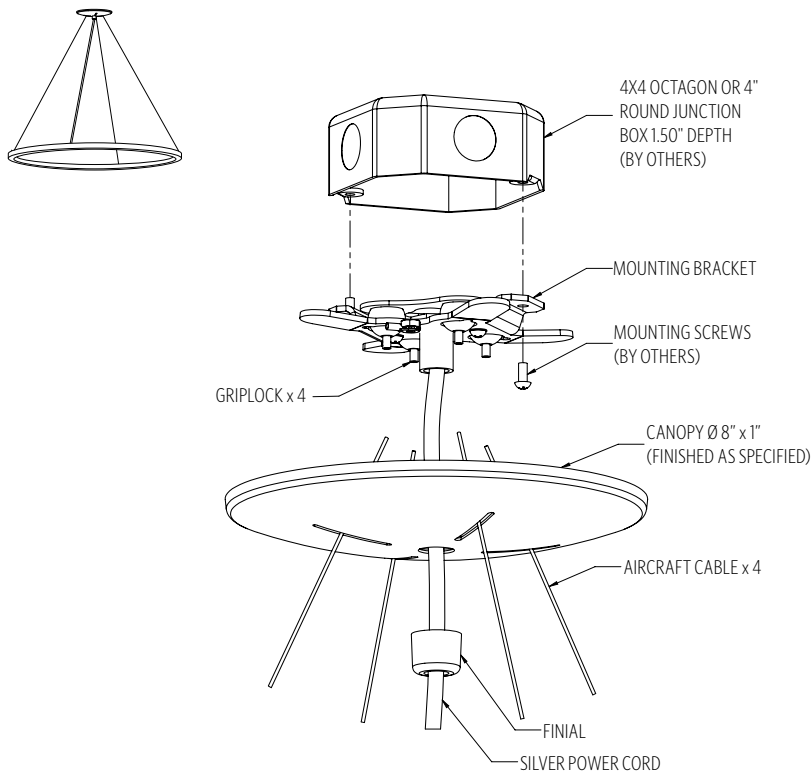


MOUNTING INFORMATION CHART

LUMINAIRE DIAMETER	LUMINAIRE WEIGHT	MOUNTING POINTS	MIN/MAX OAH
24"	10 LBS	1	8"/144"
36"	13 LBS	1	15"/144"
48"	17 LBS	1	22"/144"
60"	19 LBS	1	26"/144"
72"	22 LBS	1	32"/144"

P1DB ships with one of three OAH's (48", 100" or 144") and is field adjustable to the desired height.

PIEU PENDANT WITH 4 ANGLED AIRCRAFT CABLES AND POWER CORD TO CANOPY; MOUNTS TO 4X4 OCTAGON J-BOX (BY OTHERS); REMOTE DRIVER ENCLOSURE

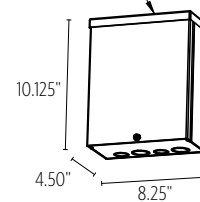


MOUNTING INFORMATION CHART

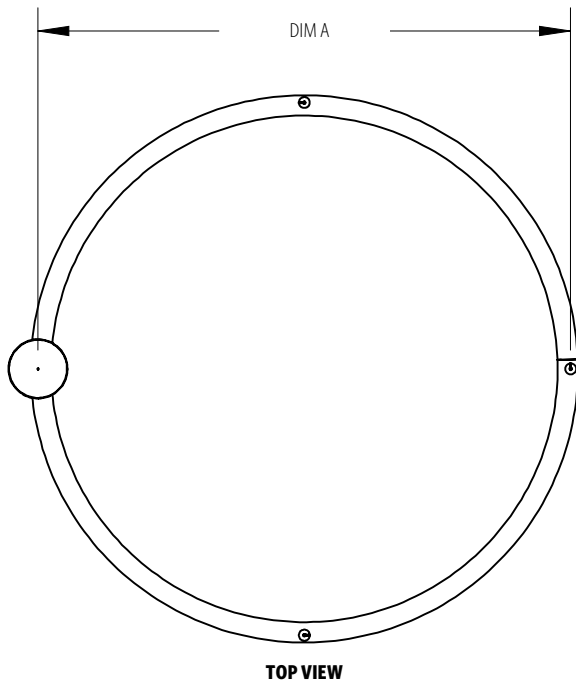
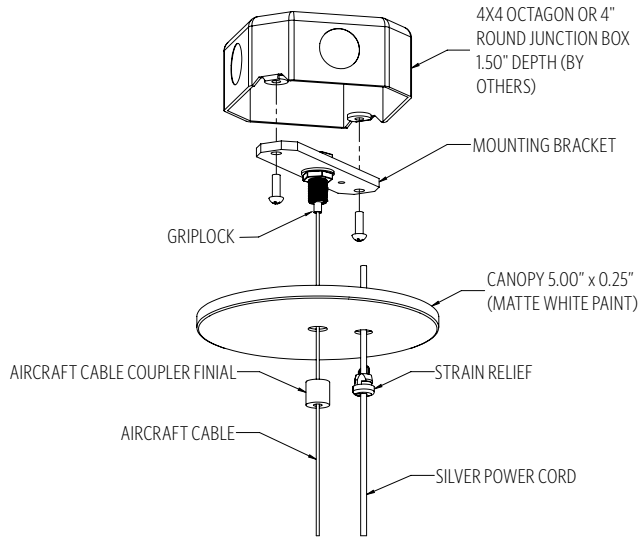
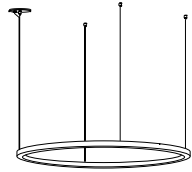
LUMINAIRE DIAMETER	LUMINAIRE WEIGHT	MOUNTING POINTS	MIN/MAX OAH
24"	10 LBS	1	10"/144"
36"	13 LBS	1	12"/144"
48"	17 LBS	1	19"/144"
60"	19 LBS	1	38"/144"
72"	22 LBS	1	46"/144"

PIEU ships with one of three OAH's (48", 100" or 144") and is field adjustable to the desired height. **PIEU** will include ETL listed enclosure for remote mounting drivers. Max 30' distance from luminaire.

REMOTE DRIVER HOUSING ENCLOSURE (PROVIDED BY OCL)



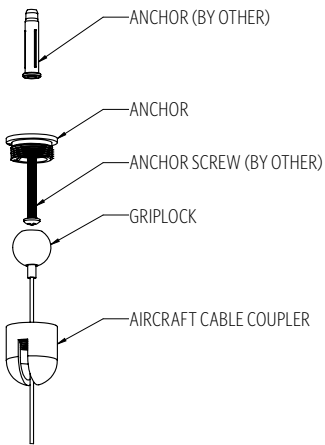
PIEM PENDANT WITH VERTICAL AIRCRAFT CABLES TO SEPARATE MOUNTING POINTS AND POWER CORD TO CANOPY; MOUNTS TO 4X4 OCTAGON J-BOX (BY OTHERS); REMOTE DRIVER ENCLOSURE



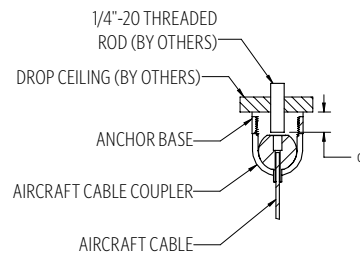
MOUNTING INFORMATION CHART

LUMINAIRE DIAMETER	LUMINAIRE WEIGHT	RV1 MOUNTING DISTANCE DIM A	RV2 MOUNTING DISTANCE DIM A	RV3 MOUNTING DISTANCE DIM A	RV4 MOUNTING DISTANCE DIM A	MOUNTING POINTS	MIN/MAX OAH
24"	10 LBS	22.50	21.6875	21.752	20.567	4	5'/144"
36"	13 LBS	34.50	33.75	34.484	33.249	4	5'/144"
48"	17 LBS	46	44.6875	44.834	46.022	4	5'/144"
60"	19 LBS	57.50	57.50	56.197	56.197	4	5'/144"
72"	22 LBS	70.25	68.875	70.299	66.376	4	5'/144"

PIEM ships with one of three OAH's (48", 100" or 144") and is field adjustable to the desired height. **PIEM** will include ETL listed enclosure for remote mounting drivers. Max 30' distance from luminaire.

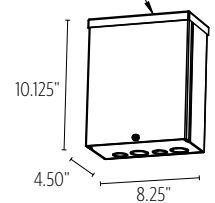


HARD CEILING

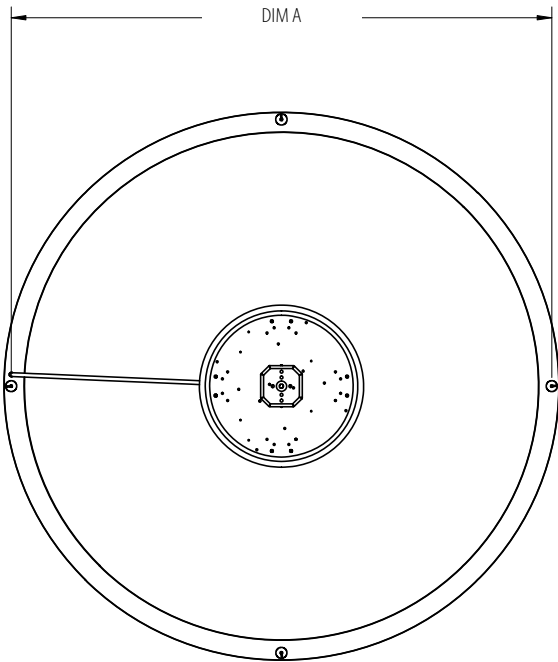
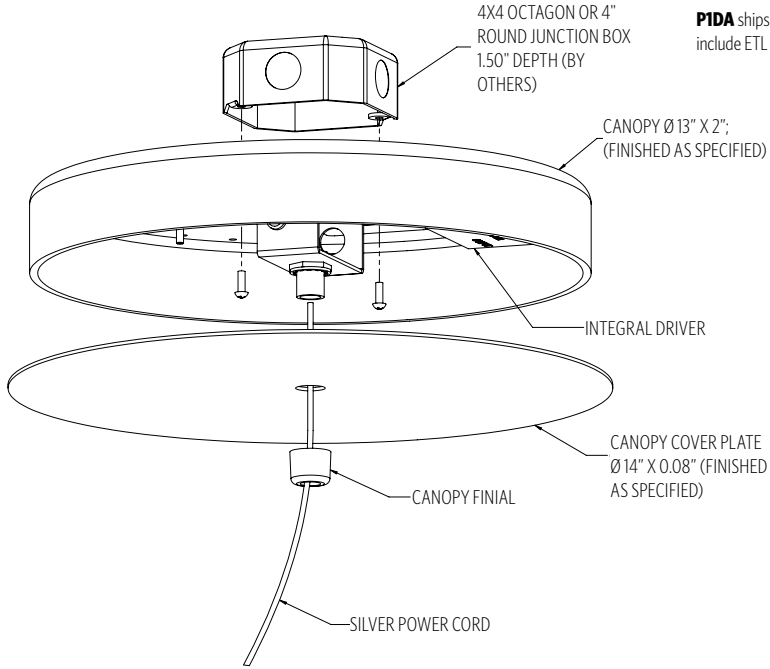
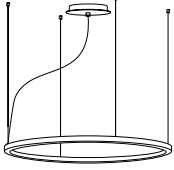


DROP CEILING

REMOTE DRIVER HOUSING ENCLOSURE (PROVIDED BY OCL)



PIDA PENDANT WITH VERTICAL AIRCRAFT CABLES TO SEPARATE MOUNTING POINTS AND POWER CORD TO CANOPY WITH INTEGRAL DRIVER; MOUNTS TO 4X4 OCTAGON J-BOX (BY OTHERS)

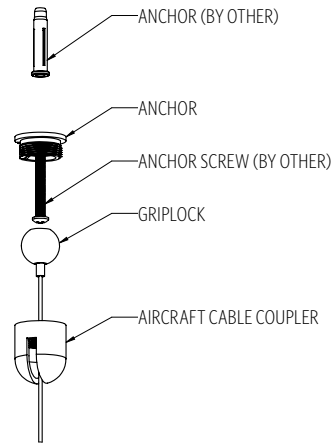


TOP VIEW

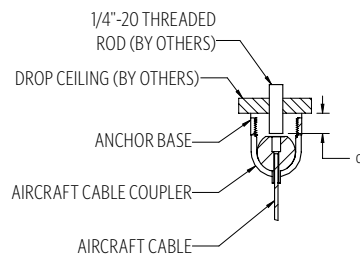
MOUNTING INFORMATION CHART

LUMINAIRE DIAMETER	LUMINAIRE WEIGHT	RV1 MOUNTING DISTANCE DIM A	RV2 MOUNTING DISTANCE DIM A	RV3 MOUNTING DISTANCE DIM A	RV4 MOUNTING DISTANCE DIM A	MOUNTING POINTS	MIN/MAX OAH
24"	10 LBS	22.50	21.6875	21.752	20.567	4	5"/144"
36"	13 LBS	34.50	33.75	34.484	33.249	4	5"/144"
48"	17 LBS	46	44.6875	44.834	46.022	4	5"/144"
60"	19 LBS	57.50	57.50	56.197	56.197	4	5"/144"
72"	22 LBS	70.25	68.875	70.299	66.376	4	5"/144"

PIDA ships with one of three OAH's (48", 100" or 144") and is field adjustable to the desired height. **PIDA** will include ETL listed enclosure for remote mounting drivers. Max 30' distance from luminaire.



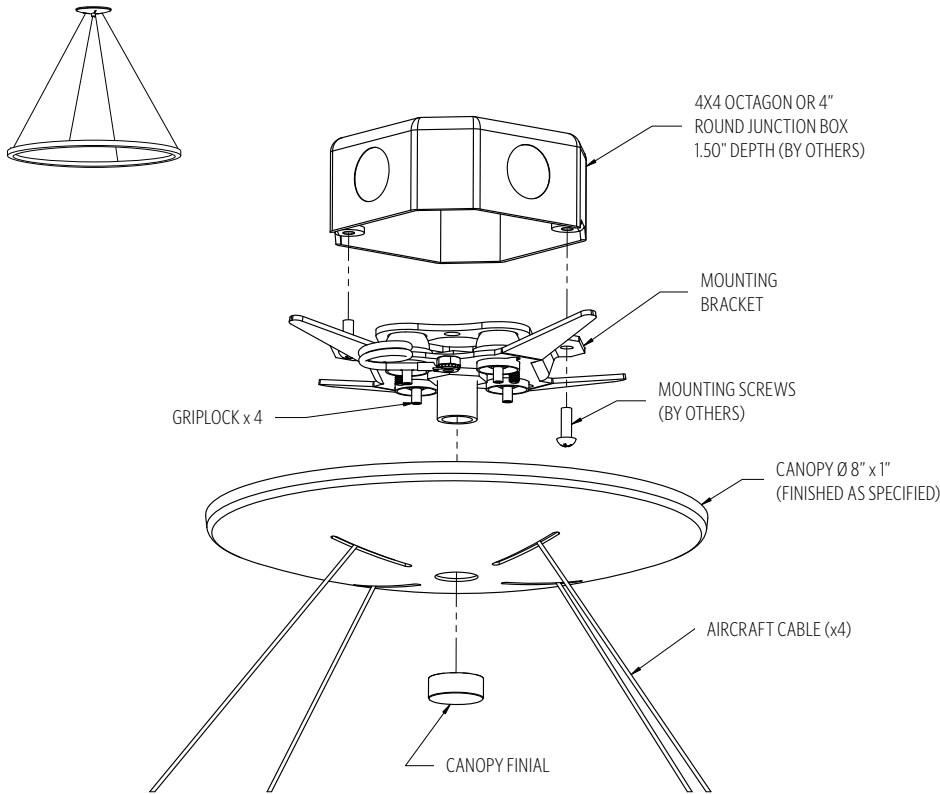
HARD CEILING



DROP CEILING

HANGING SYSTEM

P1PA POWER OVER CABLE (POC) PENDANT WITH ANGLED CABLES TO CANOPY; MOUNTS TO 4X4 OCTAGON J-BOX (BY OTHERS); REMOTE DRIVER ENCLOSURE

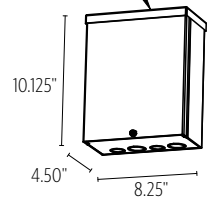


MOUNTING INFORMATION CHART

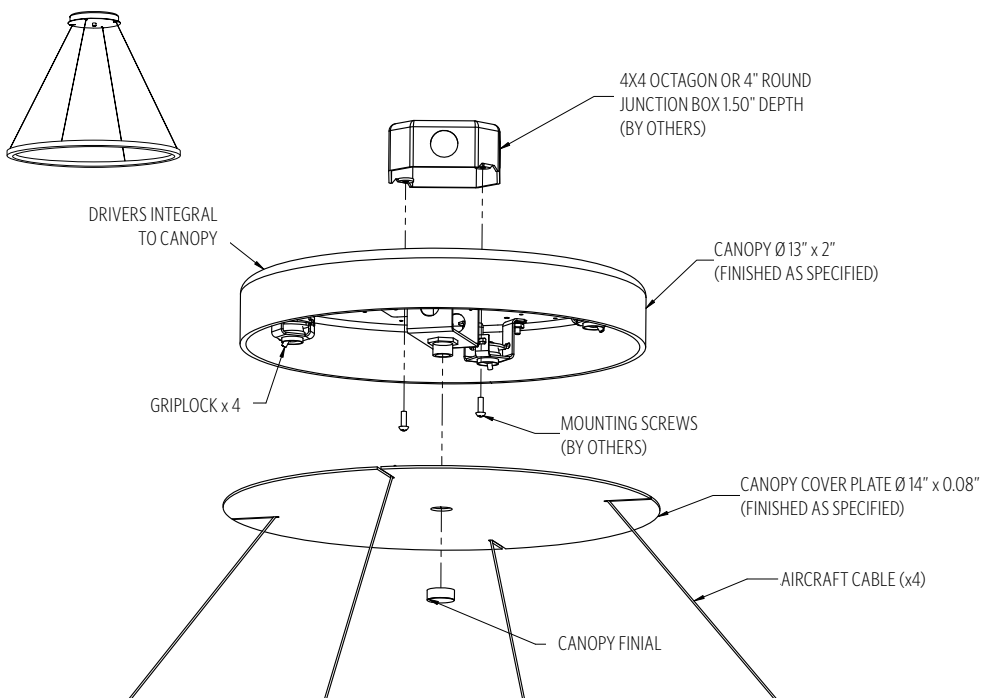
LUMINAIRE DIAMETER	LUMINAIRE WEIGHT	MOUNTING POINTS	MIN/MAX OAH
24"	10 LBS	1	8"/144"
36"	13 LBS	1	15"/144"
48"	17 LBS	1	22"/144"
60"	19 LBS	1	26"/144"
72"	22 LBS	1	32"/144"

PIPA ships with one of three OAH's (48", 100" or 144") and is field adjustable to the desired height. **PIPA** will include ETL listed enclosure for remote mounting drivers. Max 30' distance from luminaire.

REMOTE DRIVER HOUSING ENCLOSURE (PROVIDED BY OCL)



P1PB POWER OVER CABLE (POC) PENDANT WITH ANGLED CABLES TO CANOPY WITH INTEGRAL DRIVER; MOUNTS TO 4X4 OCTAGON J-BOX (BY OTHERS)

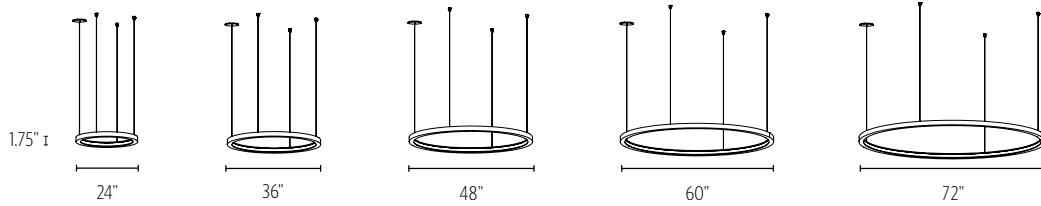


MOUNTING INFORMATION CHART

LUMINAIRE DIAMETER	LUMINAIRE WEIGHT	MOUNTING POINTS	MIN/MAX OAH
24"	10 LBS	1	10"/144"
36"	13 LBS	1	12"/144"
48"	17 LBS	1	19"/144"
60"	19 LBS	1	38"/144"
72"	22 LBS	1	46"/144"

P1PB ships with one of three OAH's (48", 100" or 144") and is field adjustable to the desired height.

SIZES



DIFFUSER



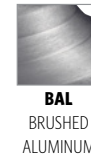
MW MATTE WHITE SILICONE

FINISH

METALLIC POWDER COAT FINISHES:



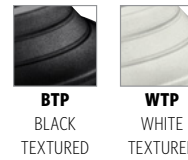
PREMIUM METAL FINISHES:



SOLID POWDER COAT FINISHES:



TEXTURED POWDER COAT FINISHES:



RAL, Pantone or custom finishes are also available.

These colors are for reference only. Please be aware that colors may vary per monitor. Contact your local rep for finish samples or with any questions.

ACOUSTIC

ACOUSTIC COLORS:



ABOUT OUR ACOUSTIC PANELS

Flat and Etched acoustic available up to 48" as single panel with no seam. Etched acoustic available in 60" or 72" panels as two panels with center seam hidden within etched pattern and additional bracketry hardware finished as specified (shown below).

NOTE: Visibility of seams & etching can vary by color selection.



FLAT PANEL



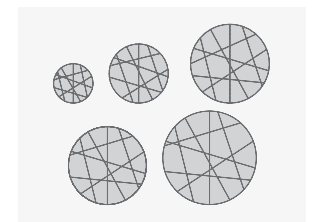
ETCHED PANEL



SEAM DETAIL



HARDWARE DETAIL (60" & 72" ONLY)



PATTERN DETAIL

LIGHT SOURCE

		RV1 ACOUSTIC					RV2 ACOUSTIC					RV3 ACOUSTIC					RV4 ACOUSTIC (UP/DOWN)				
		24"	36"	48"	60"	72"	24"	36"	48"	60"	72"	24"	36"	48"	60"	72"	24"	36"	48"	60"	72"
LED1	LUMENS DELIVERED	966	1472	1932	2438	2944	1188	1728	2376	2970	3564	1470	2240	3080	3850	4480	1540 (134/1406)	2360 (205/2155)	3240 (282/2958)	4050 (352/3698)	4720 (411/4309)
	SYSTEM WATTAGE	21	32	42	53	64	19	30	40	52	62	25	35	45	55	65	25	35	45	55	65
LED2	LUMENS DELIVERED	1610	2438	2944	4094	4922	1998	2970	3564	4968	5940	2240	3710	4760	6440	7350	2360 (205/2155)	3910 (340/3570)	5010 (436/4574)	6780 (590/6190)	7740 (673/7067)
	SYSTEM WATTAGE	35	53	64	89	107	35	53	64	89	107	35	55	70	95	105	35	55	70	95	105

This chart was created for a 35K color temp. Multiply by 0.95 for 27k color temp, 0.97 for 30k color temp, and 1.03 for 40k color temp. Values shown for 80+ CRI. For 90+ CRI lumens use 0.85 multiplier.

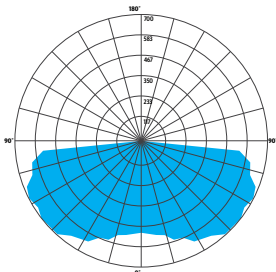
PHOTOMETRY:

LUMINAIRE: RVX-PIEM-48-MW-PTD-LED2_35K-UNV-48
 COLOR TEMP #: 3500K
 TEST REPORT: TEST NO. 20925.0; 20926.0

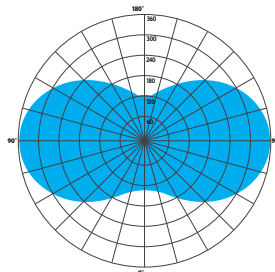
For all available IES files, please visit our website at ocl.com.

STANDARD COLOR TEMPERATURE OPTIONS	CRI (RA)	
	2700K	80+
3000K	80+	90+
3500K	80+	90+
4000K	80+	90+

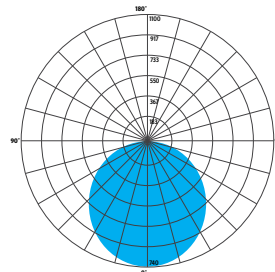
ZONE	% OF LUMINAIRE			
	RV1	RV2	RV3	RV4
0-30	12%	4%	26%	24%
0-60	53%	20%	77%	70%
0-90	100%	51%	100%	91%
90-180	0%	49%	0%	9%
0-180	100%	100%	100%	100%



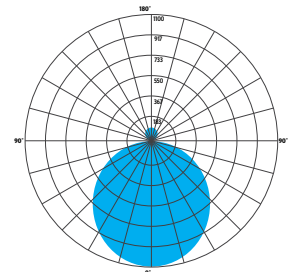
RV1



RV2



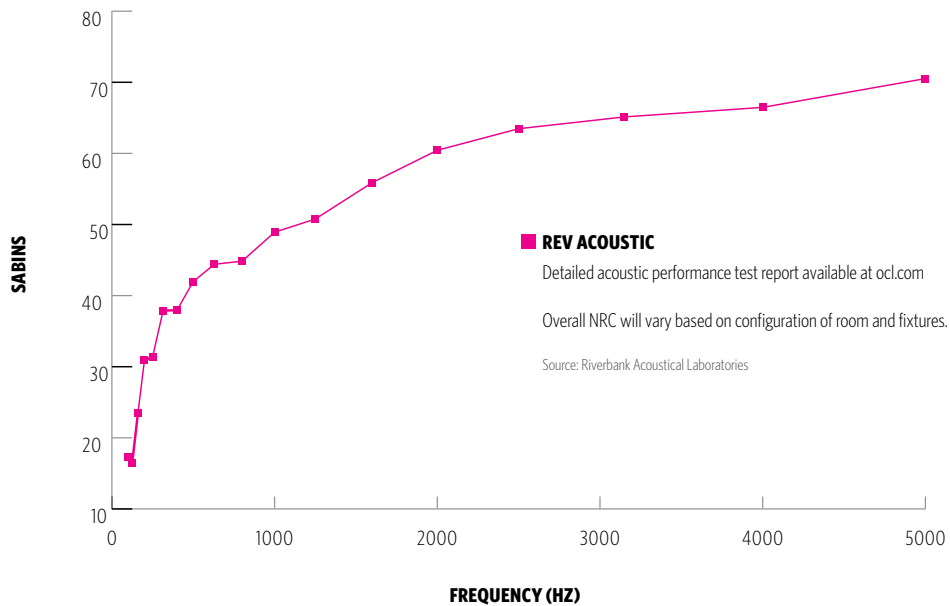
RV3



RV4

ACOUSTICAL TESTING

REV ACOUSTIC PERFORMANCE (4 UNITS):



CONTROL

DM1 0-10V DIMMING 1%

- 0-10V DIMMING PROTOCOL
- 1% MINIMUM DIM LEVEL
- ELECTRONIC DRIVER
- POWER FACTOR >0.9
- THD <20%
- MINIMUM AMBIENT OPERATING TEMPERATURE -31°F
- LINEAR DIMMING CURVE
- FIELD REPLACEABLE

OPTIONS

MOD MODIFIED LUMINAIRE

- LUMINAIRE IS MODIFIED FROM STANDARD OPTIONS; CONTACT LOCAL REP FOR MORE INFORMATION

ACOUSTIC PANEL

- AFFIXED ACOUSTIC PANEL AIDS IN THE REDUCTION OF SOUND REFLECTIONS, REVERBERATION, AND ECHO
- ASTM E-84 CLASS A / CAN ULC S102 FLAME SPREAD: 0 | SMOKE DEVELOPMENT INDEX: 300
- 0.36" (9MM) 100% POLYESTER FIBER PANEL WITH A MINIMUM 50% POST-CONSUMER RECYCLED MATERIAL (PET)
- ACOUSTIC PERFORMANCE (ASTM C423) TEST REPORT AVAILABLE AT OCL.COM
- VARIATIONS IN FIBER MIX AND COLOR MAY OCCUR. ALL PRODUCTS WILL BE SUPPLIED WITHIN COMMERCIAL TOLERANCES
- **CARE & CLEANING:** REMOVE DUST AND DEBRIS WITH A CLEAN, SOFT, LINT-FREE CLOTH OR VACUUM



BIOS

- **BIOS SKYBLUE™** DYNAMIC LIGHT ENGINE IS DIMMABLE AND FEATURES A SIMPLE APPROACH TO CIRCADIAN LIGHTING CONTROLS.
- WHEN PAIRED WITH THE BIOS BIO-DIMMING MODULE, IT OPERATES USING ANY SINGLE CHANNEL CONSTANT CURRENT (CC) LED DRIVER AND CAN BE USED WITH ANY STANDARD DIMMING INTERFACE/PROTOCOL (0-10V, ELV, DMX, WIRELESS) AND COULD WORK WITH EXISTING TWO-CHANNEL CONTROL SYSTEMS AS WELL.
- VISIT OCL.COM/BIOS FOR MORE INFORMATION

SPECIFICATIONS

CONSTRUCTION

- HOUSING IS EXTRUDED AND WELDED ALUMINUM
- HOUSING SEAMS ARE FULLY WELDED AND GROUND SMOOTH
- DIFFUSER IS EXTRUDED SILICONE
- CANOPY IS FORMED ALUMINUM
- HARDWARE IS ZINC PLATED OR STAINLESS STEEL

MOUNTING

- **PIEM, P1DA, P1EU, P1DB, P1PA** AND **P1PB** ALL MOUNT TO 4X4" OCTAGON OR 4" ROUND J-BOX (BY OTHER)
- **P1PA** AND **P1PB** REQUIRE HEAT SHRINK (PROVIDED) INSTALLATION ON SITE

ELECTRICAL

- DIMMING ELECTRONIC DRIVER(S), COMES STANDARD WITH 0-10V DOWN TO 1%
- OCL PROPRIETARY LED ARRAYS USE NICHIA 757 DIODES
- **FOR INTEGRAL DRIVERS:** LUMINAIRE CONNECTS TO BUILDING SUPPLY (120V-277V 50/60HZ)
- **FOR REMOTE DRIVERS:** LUMINAIRE WIRE LEADS ARE LOW-VOLTAGE. THE WIRES SHOULD BE CONNECTED TO OCL PROVIDED REMOTE DRIVER ENCLOSURE ONLY!

LISTING

- ETL LISTED TO UL 1598/2108 FOR DRY LOCATIONS

WARRANTY

- 5 YEAR; ALL ELECTRICAL COMPONENTS RETAIN THE MANUFACTURER'S WARRANTY

SUSTAINABILITY

- THIS PRODUCT MEETS THE MATERIAL RESTRICTIONS OF ARTICLE 4 OF THE **ROHS** DIRECTIVE (2011/65/EU), INCLUDING COMMISSION DELEGATED DIRECTIVE 2015/863
- **BIOS** LIGHTING CONTRIBUTES TOWARD THE CIRCADIAN LIGHTING DESIGN FEATURE 54 UNDER THE **WELL BUILDING STANDARD™ V1** AND FEATURE L03 UNDER THE **WELL BUILDING STANDARD V2**

COMMON MODIFICATIONS

WE'RE BUILT FOR OUT-OF-THE-BOX THINKERS.

Nearly 50% of OCL fixtures we manufacture have some type of modification. Here is a list of common modifications we frequently produce. **Please contact the factory for modifications specific to your fixture or project.**

Need some help? Simply send your questions to us at OCL-Quotes@ocl.com

- BIOS, TUNABLE WHITE, WARM-DIM, & RGBW LIGHT SOURCES
- SPECIFIC LUMEN OUTPUT
- MODIFIED CLUSTERS OR CONFIGURATIONS / MULTI-DROP CANOPIES
- VARIOUS SHAPES, ARCS, AND CURVES FOR LINEAR PROFILES AND RINGS
- CEILING OR SURFACE MOUNTING
- LARGE SCALE MODIFICATIONS
- RAL, PANTONE, BRAND-SPECIFIC, RETIRED OCL COLOR, OR CUSTOM FINISHES



- EMERGENCY BATTERY BACKUP OR INVERTER OPTIONS
- REMOTE DRIVERS / EXTENDED DISTANCE REMOTE DRIVERS
- DIMMING TO 0.1% (DIM TO DARK)
- NON-STANDARD SIZES OR LENGTHS
- NON-STANDARD CANOPY, BODY AND/OR CORD COLORS
- SEISMIC AND/OR ANTI-SWAY SYSTEMS
- RIGID STEMS
- MODIFIED OVERALL HEIGHTS (LONGER OR SHORTER OAH)
- UPLIGHT ADDITIONS
- LASER ETCHING, ENGRAVING, AND CUTOUTS

The drawings and specifications and ideas, designs and arrangements represented on these drawings are and shall remain the property of The Original Cast Lighting (OCL Architectural Lighting) and no part thereof shall be copied, disclosed, to others or used in conjunction with any work or project other than the specified project for which they have been prepared and developed, without written consent of OCL. Visual contact with these plans or specifications shall constitute conclusive evidence of acceptance of these restrictions. All specifications and information subject to change without notice.