

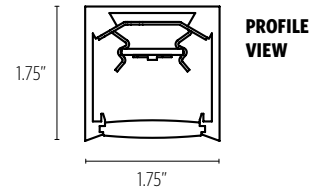


Liner™

PENDANT

FEATURES


- AVAILABLE WITH TUNABLE WHITE AND RGBW LIGHT SOURCES
- 1.75" MINIMAL SQUARE PROFILE SIZE
- SILICONE DIFFUSER ELIMINATES LIGHT LEAKS AND VISIBLE SEAMS
- FIELD REPLACEABLE LED ARRAYS AND DRIVER(S) FOR SIMPLE MAINTENANCE
- SIMPLE, LINEAR PROFILE CAN BE CONNECTED TO CREATE LONG, CONTINUOUS RUNS
- CUSTOM SIZES, SHAPES, AND CONFIGURATIONS ARE POSSIBLE



CATALOG CODES

LN1	-	B	-	C	-	MW	-	E	-	i	-	UNV	-	H	-	I	-	J
SERIES		HANGING SYSTEM		SIZE		DIFFUSER		FINISH		LIGHT SOURCE		VOLTAGE		OAH		CONTROL		OPTIONS

SPECIFY CATALOG CODE

A		B		C	D	E	
SERIES	HANGING SYSTEM*		SIZE	DIFFUSER	STANDARD FINISHES		PREMIUM FINISHES
 LN1 LINER	PIEB	PENDANT WITH AN AIRCRAFT CABLE ON EACH END OF THE FIXTURE AND A POWER CORD ON ONE END; REMOTE DRIVER ENCLOSURE (NOTE: REQUIRED FOR RGBW)		24 36 48 60 72	MW MATTE WHITE	POWDER COAT FINISHES BKP BLACK BMP BRASS METALLIC BNP BRONZE BTP BLACK TEXTURED GRP GRAPHITE GLP GOLDTASTIC MWP MATTE WHITE SGP STEEL GRAY SMP SILVER METALLIC SWP SKY WHITE WTP WHITE TEXTURED	METAL FINISHES BAL BRUSHED ALUMINUM EVERWOODS POWDER COAT FINISHES (BODY ONLY) WPDP WHITE PINE PNDP PINE CRDP CHERRY TKDP TEAK WLDP WALNUT DLDP DARK WALNUT LWDP LIGHT BARNWOOD DWDP DARK BARNWOOD
	PISD	PENDANT WITH VERTICAL AIRCRAFT CABLES AND POWER CORD TO CENTRAL CANOPY WITH INTEGRAL DRIVER					

F			G	H	I	J		
LIGHT SOURCE			VOLTAGE	OAH*	CONTROL		OPTIONS	
LED OUTPUT	COLOR TEMP (80+ CRI)	COLOR TEMP (90+ CRI)	UNV 120-277	48 100 144	DM1 0-10V DIMMING 1%		ULD DAMP LABEL BIOS BIOS SKYBLUE® OR BIOS SKLYBLUE® DYNAMIC LIGHT ENGINE** MOD MODIFIED LUMINAIRE (CONTACT LOCAL REP)	
LED1	27K	927K			DM8 DUAL 0-10V	DALI DALI TYPE 8 CONTROL SYSTEM, DIMMABLE TO 0.1%		
LED2	30K	930K			DALI			
	35K	935K						
TWH1	TUNABLE WHITE 2700K - 5000K CRI 90+; R9 50+				DMX DMX CONTROL; DIMMABLE TO 0.1%			
RGBW (NOTE: PIEB ONLY)	RGBW							

SAMPLE CODE: LN1-PIEB-36-MW-WTP-LED1/27K-UNV-48-DM1

*Ships with one of three OAH's (48", 100" or 144") and is field adjustable to the desired height
 Contact factory for **BIOS SkyBlue® or **BIOS SkyBlue® Dynamic** light engine and control options.
 Fixtures with **PIEB** hanging system or any **Everwoods finish**, canopy will be **MWP** unless specified;
 fixtures with **PISD** hanging system, canopy will match finish choice.
 Power cord silver unless specified.

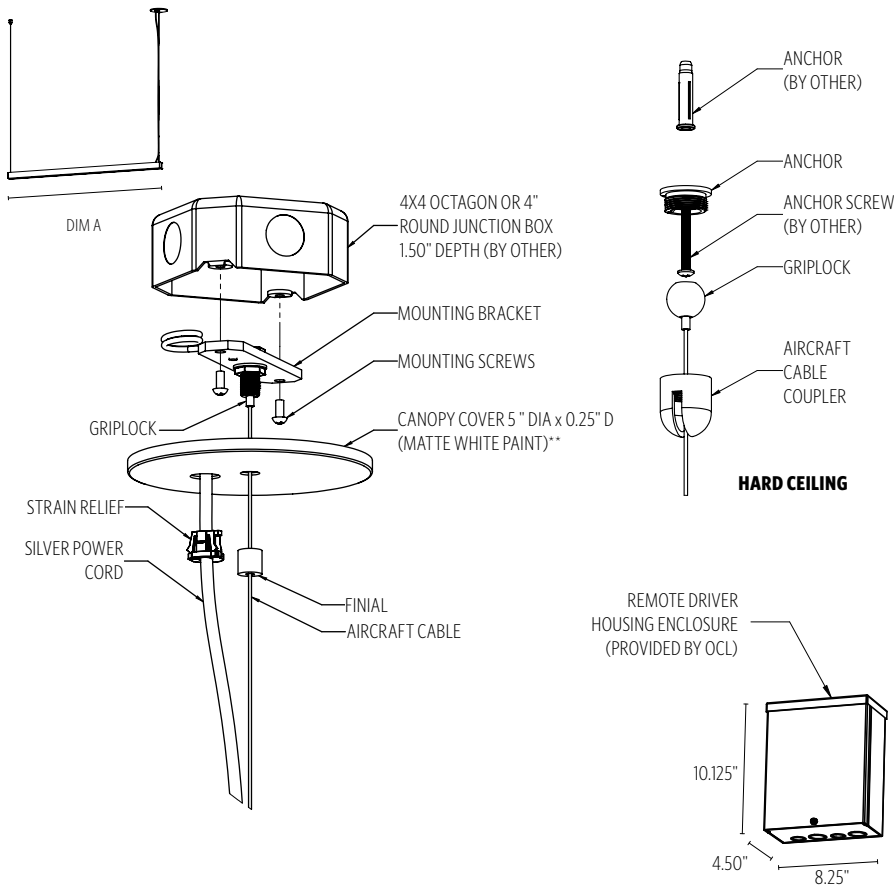
MODS, NOTES, & COMMENTS

LUMENS AND WATTAGE CHART						
		24"	36"	48"	60"	72"
LED1	LUMENS DELIVERED	420	660	840	1080	1260
	SYSTEM WATTAGE	7	11	14	18	21
LED2	LUMENS DELIVERED	720	1080	1320	1740	2100
	SYSTEM WATTAGE	12	18	22	29	35
TWH1	LUMENS DELIVERED	-	-	-	-	-
	SYSTEM WATTAGE	12	18	29	29	35
RGBW	LUMENS DELIVERED	128	192	256	320	384
	SYSTEM WATTAGE	12	18	24	30	36

This chart was created for a 35K color temp. Multiply by 0.95 for 27k color temp, 0.97 for 30k color temp, and 1.03 for 40k color temp. Wattage and lumen data for **TWH1** and **RGBW** approx. pending LM-79 testing. Values shown for 80+ CRI. For 90+ CRI lumens use 0.85 multiplier.

HANGING SYSTEM

PIEB PENDANT WITH AN AIRCRAFT CABLE ON EACH END OF THE FIXTURE AND A POWER CORD ON ONE END; REMOTE DRIVER ENCLOSURE (**NOTE: REQUIRED FOR RGBW**)



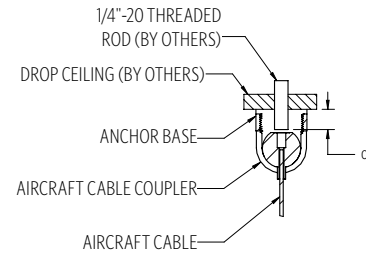
MOUNTING INFORMATION CHART

LUMINAIRE SIZE	LUMINAIRE WEIGHT	MOUNTING DISTANCE DIM A	MOUNTING POINTS	MIN/MAX OAH
24	3 LBS	23.1875	2	5"/144"
36	4 LBS	35.1875	2	5"/144"
48	5 LBS	47.1875	2	5"/144"
60	6 LBS	59.1875	2	5"/144"
72	7 LBS	71.1875	2	5"/144"

* **PIEB** ships with one of three standard OAH's (48", 100" or 144") field adjustable to the desired height

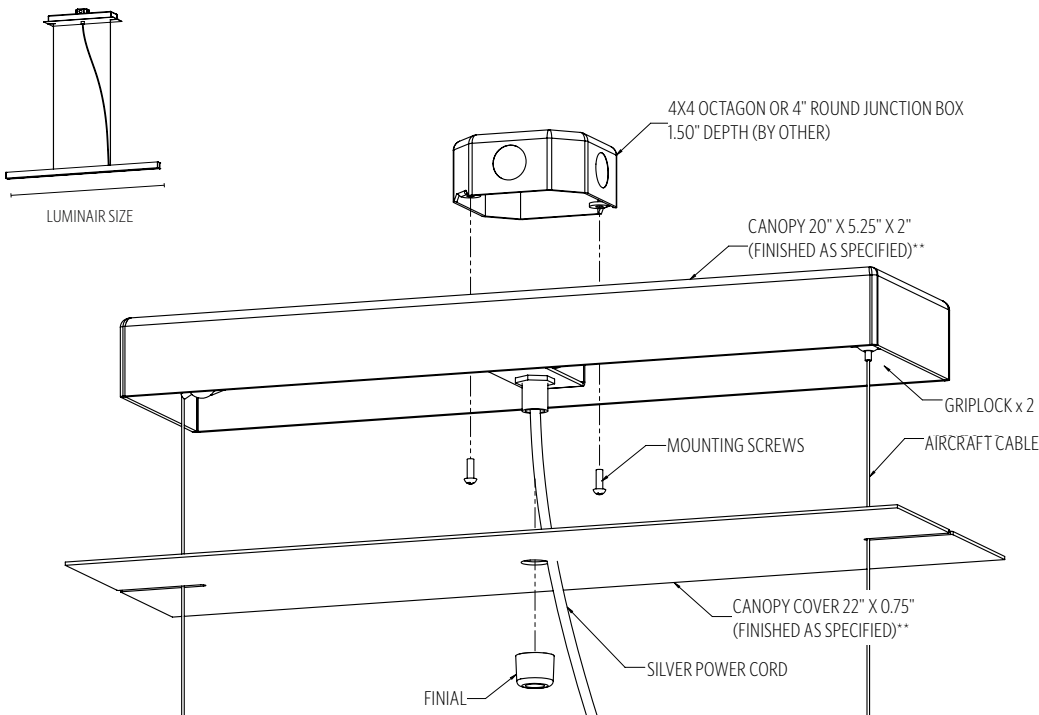
** Fixtures with **PIEB** hanging system or any **Everwoods finish**, canopy will be **MWP** unless specified;

PIEB will include ETL listed enclosure for remote mounting drivers. Max 30' distance from luminaire for **DM1, DM8, DALI** and **DMX**. Enclosure must remain accessible after installation. For **RGBW** remote box distance, contact factory



DROP CEILING

PISD PENDANT WITH VERTICAL AIRCRAFT CABLES AND POWER CORD TO CENTRAL CANOPY WITH INTEGRAL DRIVER



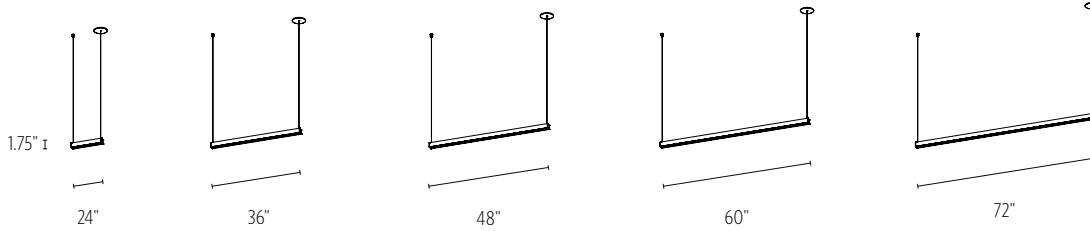
MOUNTING INFORMATION CHART

LUMINAIRE SIZE	LUMINAIRE WEIGHT	MIN/MAX OAH
24	3 LBS	7"/144"
36	4 LBS	7"/144"
48	5 LBS	7"/144"
60	6 LBS	7"/144"
72	7 LBS	7"/144"

* **PISD** ships with one of three standard OAH's (48", 100" or 144") field adjustable to the desired height.

** Fixtures with **PISD** hanging system, canopy will match finish choice; fixtures with any **Everwoods finish**, canopy will be **MWP** unless specified; f

SIZES



DIFFUSER



MW MATTE WHITE

FINISH

METALLIC POWDER COAT FINISHES:



PREMIUM METAL FINISHES:



SOLID POWDER COAT FINISHES:



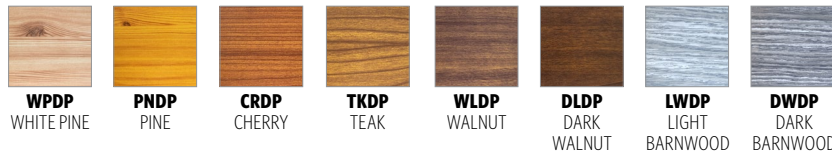
TEXTURED POWDER COAT FINISHES:



RAL, **Pantone**® or custom finishes are also available.

These colors are for reference only. Please be aware that colors may vary per monitor. Contact your local rep for finish samples or with any questions.

EVERWOODS POWDER COAT COLLECTION:



LIGHT SOURCE

LUMENS AND WATTAGE CHART

		24"	36"	48"	60"	72"
LED1	LUMENS DELIVERED	420	660	840	1080	1260
	SYSTEM WATTAGE	7	11	14	18	21
LED2	LUMENS DELIVERED	720	1080	1320	1740	2100
	SYSTEM WATTAGE	12	18	22	29	35
TWH1	LUMENS DELIVERED	-	-	-	-	-
	SYSTEM WATTAGE	12	18	29	29	35
RGBW	LUMENS DELIVERED	128	192	256	320	384
	SYSTEM WATTAGE	12	18	24	30	36

STANDARD COLOR TEMPERATURE OPTIONS	CRI (RA)	
	2700K	80+
3000K	80+	90+
3500K	80+	90+
4000K	80+	90+
TWH1	90+	
RGBW	N/A	

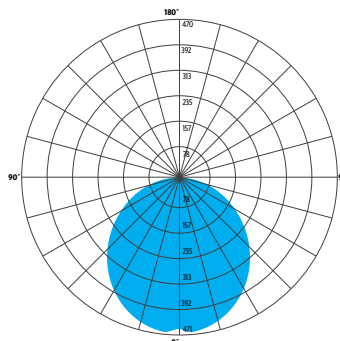
ZONE	LUMENS	% OF LUMINAIRE
0-30	346	28%
0-60	987	79%
0-90	1250	100%
90-180	0	0%
0-180	1250	100%

This chart was created for a 35K color temp. Multiply by 0.95 for 27k color temp, 0.97 for 30k color temp, and 1.03 for 40k color temp. Wattage and lumen data for **TWH1** and **RGBW** approx. pending LM-79 testing. Values shown for 80+ CRI. For 90+ CRI lumens use 0.85 multiplier.

For 80+ CRI - 80 RA, R9 > 0 (10-15 TYP); For 90+ CRI - 90 RA, R9 > 50

PHOTOMETRY:

FIXTURE: LNI-PIEW-48-MW-PTD-LED2_35K-UNV-48
 COLOR TEMP #: 3500K
 TEST REPORT: TEST NO. 20863.0



For all available IES files, please visit our website at ocl.com.

CONTROL

DM1 0-10V DIMMING 1%

- 0-10V DIMMING PROTOCOL
- 1% MINIMUM DIM LEVEL
- ELECTRONIC DRIVER
- POWER FACTOR >0.9
- THD <20%
- MINIMUM AMBIENT OPERATING TEMPERATURE -31°F
- FIELD REPLACEABLE

DALI DALI CONTROL SYSTEM, DIMMABLE 0.1%

- DALI-2 DEVICE TYPE 6 CONTROL PROTOCOL
- 0.1% MINIMUM DIM LEVEL
- ELECTRONIC DRIVER
- POWER FACTOR >0.9
- THD <20%
- MINIMUM AMBIENT OPERATING TEMPERATURE -4°F
- LOGARITHMIC DIMMING CURVE [DEFAULT]
- FIELD REPLACEABLE

DMX DMX CONTROL DIMMABLE TO 0.1%

- DMX/RDM DIMMING PROTOCOL
- 0.1% MINIMUM DIM LEVEL
- ELECTRONIC DRIVER
- POWER FACTOR >0.9
- THD <20%
- MINIMUM AMBIENT OPERATING TEMPERATURE -4°F
- LOGARITHMIC DIMMING CURVE [DEFAULT]
- FIELD REPLACEABLE

DM8 DUAL 0-10V DIMMING 0.1%

- 0-10V DIMMING PROTOCOL
- 0.1% MINIMUM DIM LEVEL
- ELECTRONIC DRIVER
- POWER FACTOR >0.9
- THD <20%
- MINIMUM AMBIENT OPERATING TEMPERATURE -4°F
- LOGARITHMIC DIMMING CURVE [DEFAULT]
- FIELD REPLACEABLE

OPTIONS

ULD DAMP LABEL LUMINAIRE

- MAY BE USED IN AN OUTDOOR AREA THAT IS PROTECTED FROM DIRECT CONTACT WITH WIND, RAIN, SNOW OR EXCESSIVE MOISTURE

MOD MODIFIED LUMINAIRE

- LUMINAIRE IS MODIFIED FROM STANDARD OPTIONS; CONTACT LOCAL REP FOR MORE INFORMATION

BIOS

- **BIOS SKYBLUE™** DYNAMIC LIGHT ENGINE IS DIMMABLE AND FEATURES A SIMPLE APPROACH TO CIRCADIAN LIGHTING CONTROLS.
- WHEN PAIRED WITH THE BIOS BIO-DIMMING MODULE, IT OPERATES USING ANY SINGLE CHANNEL CONSTANT CURRENT (CC) LED DRIVER AND CAN BE USED WITH ANY STANDARD DIMMING INTERFACE/PROTOCOL (0-10V, ELV, DMX, WIRELESS) AND COULD WORK WITH EXISTING TWO-CHANNEL CONTROL SYSTEMS AS WELL.
- VISIT OCL.COM/BIOS FOR MORE INFORMATION

SPECIFICATIONS

CONSTRUCTION

- HOUSING IS EXTRUDED AND WELDED ALUMINUM
- END CAPS ARE CAST ALUMINUM
- DIFFUSER IS EXTRUDED SILICONE
- CANOPY IS FORMED ALUMINUM
- HARDWARE IS ZINC PLATED OR STAINLESS STEEL

MOUNTING

- **PIEB & PISD** MOUNT TO 4X4" OCTAGON OR 4" ROUND J-BOX (BY OTHER)

ELECTRICAL

- DIMMING ELECTRONIC DRIVER(S), COMES STANDARD WITH 0-10V DOWN TO 1% [STATIC WHITE]
- OCL PROPRIETARY LED ARRAYS USE NICHIA 757 DIODES
- **FOR INTEGRAL DRIVERS:** LUMINAIRE CONNECTS TO BUILDING SUPPLY (120V-277V 50/60HZ)
- **FOR REMOTE DRIVERS:** LUMINAIRE WIRE LEADS ARE LOW-VOLTAGE. THE WIRES SHOULD BE CONNECTED TO OCL PROVIDED REMOTE DRIVER ENCLOSURE ONLY!

LISTING

- ETL LISTED TO UL 1598/2108 FOR DRY LOCATIONS, DAMP LOCATION LISTED IS OPTION

WARRANTY

- 5 YEAR; ALL ELECTRICAL COMPONENTS RETAIN THE MANUFACTURER'S WARRANTY

BUILD AMERICA, BUY AMERICA (BABA)

- THIS PRODUCT MEETS THE GUIDELINES FOR THE BUILD AMERICA, BUY AMERICA ACT. SOME EXCLUSIONS APPLY. FOR MORE INFORMATION AND A FULL LIST OF ELIGIBLE SKUS, VISIT OCL.COM/BABA

SUSTAINABILITY

- THIS PRODUCT MEETS THE MATERIAL RESTRICTIONS OF ARTICLE 4 OF THE **ROHS** DIRECTIVE (2011/65/EU), INCLUDING COMMISSION DELEGATED DIRECTIVE 2015/863
- **BIOS** LIGHTING CONTRIBUTES TOWARD THE CIRCADIAN LIGHTING DESIGN FEATURE 54 UNDER THE **WELL BUILDING STANDARD™ V1** AND FEATURE L03 UNDER THE **WELL BUILDING STANDARD V2**

COMMON MODIFICATIONS

WE'RE BUILT FOR OUT-OF-THE-BOX THINKERS.

Nearly 50% of OCL fixtures we manufacture have some type of modification. Here is a list of common modifications we frequently produce. **Please contact the factory for modifications specific to your fixture or project.**

Need some help? Simply send your questions to us at OCL-Quotes@ocl.com

- BIOS, TUNABLE WHITE, WARM-DIM, & RGBW LIGHT SOURCES
- SPECIFIC LUMEN OUTPUT
- MODIFIED CLUSTERS OR CONFIGURATIONS / MULTI-DROP CANOPIES
- VARIOUS SHAPES, ARCS, AND CURVES FOR LINEAR PROFILES AND RINGS
- CEILING OR SURFACE MOUNTING
- LARGE SCALE MODIFICATIONS
- RAL, PANTONE, BRAND-SPECIFIC, RETIRED OCL COLOR, OR CUSTOM FINISHES



- EMERGENCY BATTERY BACKUP OR INVERTER OPTIONS
- REMOTE DRIVERS / EXTENDED DISTANCE REMOTE DRIVERS
- DIMMING TO 0.1% (DIM TO DARK)
- NON-STANDARD SIZES OR LENGTHS
- NON-STANDARD CANOPY, BODY AND/OR CORD COLORS
- SEISMIC AND/OR ANTI-SWAY SYSTEMS
- RIGID STEMS
- MODIFIED OVERALL HEIGHTS (LONGER OR SHORTER OAH)
- UPLIGHT ADDITIONS
- LASER ETCHING, ENGRAVING, AND CUTOUTS

The drawings and specifications and ideas, designs and arrangements represented on these drawings are and shall remain the property of The Original Cast Lighting (OCL Architectural Lighting) and no part thereof shall be copied, disclosed, to others or used in conjunction with any work or project other than the specified project for which they have been prepared and developed, without written consent of OCL. Visual contact with these plans or specifications shall constitute conclusive evidence of acceptance of these restrictions. All specifications and information subject to change without notice.