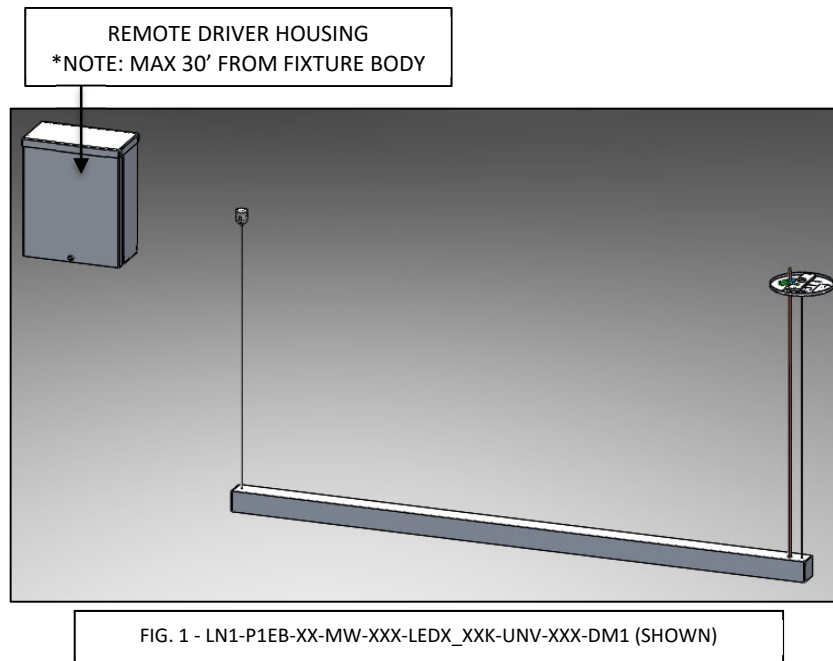


## INSTALLATION INSTRUCTIONS LINER PENDANT WITH P1EB HANGING SYSTEM

These instructions cover the Liner luminaire with the following options:

SERIES	HANGING SYSTEM	SIZE	LIGHT SOURCE	CONTROL	WIRE DIAGRAM
LN1 : LINER	P1EB: PENDANT WITH AN AIRCRAFT CABLE ON EACH END OF THE FIXTURE AND A POWER CORD ON ONE END; REMOTE DRIVER ENCLOSURE	24	STATIC WHITE	0-10V DIM 1% (DM1)	WIRE DIAGRAM ON PAGE 5
		36	STATIC WHITE	0-10V DIM 1% (DM1)	WIRE DIAGRAM ON PAGE 5
		48	STATIC WHITE	0-10V DIM 1% (DM1)	WIRE DIAGRAM ON PAGE 5
		60	STATIC WHITE	0-10V DIM 1% (DM1)	WIRE DIAGRAM ON PAGE 5
		72	STATIC WHITE	0-10V DIM 1% (DM1)	WIRE DIAGRAM ON PAGE 5



### GENERAL NOTES:

1. PLEASE COMPLETELY READ THE INSTALL INSTRUCTIONS BEFORE STARTING INSTALLATION.
2. INSTALL IN ACCORDANCE WITH ALL LOCAL, STATE AND NATIONAL CODES CONSULT WITH A QUALIFIED ELECTRICIAN FOR PROPER INSTALLATION.
3. CAREFULLY UNPACK ALL CONTENTS; SOME COMPONENTS MAY HAVE BEEN SHIPPED IN SEPARATE BOXES. MOST FIXTURES ARE SHIPPED PARTIALLY ASSEMBLED. SOME UNASSEMBLY MAY BE REQUIRED FOR INSTALLATION.
4. REMOTE MOUNTING DRIVERS - OCL RECOMMENDS: MAX 30' DISTANCE FROM FIXTURE FOR NON-DIMMING, DMO DM1 AND MAX 10' REMOTE DISTANCE FOR LUTRON. ENCLOSURE SHOULD REMAIN ACCESSIBLE AFTER INSTALLATION.
5. DO NOT LET THE LINER LUMINAIRE HANG FREE UNTIL BOTH THE AIRCRAFT CABLES ARE SECURED AND EVENLY TENSIONED.
6. KEEP HANDS AWAY FROM THE SILICON DIFFUSER. DO NOT TOUCH IT AT ALL TIMES.

**OCL Architectural Lighting**

Phone: 314.863.1895  
Fax: 314.863.3278  
www.ocl.com

# Table of Contents

<b>GENERAL INFORMATION:</b> .....	<b>3</b>
<b>REMOTE DRIVER MOUNTING:</b> .....	<b>4</b>
<b>WIRE DIAGRAM :</b> .....	<b>5</b>
<b>LINER MOUNTING:</b> .....	<b>6</b>
<b>LINER MOUNTING [HARD CEILING]:</b> .....	<b>6</b>
<b>LINER MOUNTING [GRID CEILING]:</b> .....	<b>7</b>
<b>LINER MOUNTING [NON-POWERED POINT AIRCRAFT CABLE]:</b> .....	<b>7</b>
<b>LINER MOUNTING [CANOPY]:</b> .....	<b>7</b>
<b>CORD INSTALL INSTRUCTIONS</b> .....	<b>9</b>

**GENERAL INFORMATION:**

You will receive the following with each LINER series pendant fixture:

1. LINER LUMINAIRE. (Pre-assembled as shown in FIG. 2)
2. INSTALLATION INSTRUCTIONS - Please completely read the install instructions before starting installation.
3. HARDWARE BAG
  - a. CANOPY (as shown in FIG. 3)
  - b. MOUNTING KIT (as shown in FIG. 4)
    - i. STRAIN RELIEF
    - ii. FINIAL
    - iii. MOUNTING BRACKET ASSEMBLY
    - iv. ONE (1) CEILING COUPLER (CC)
4. REMOTE DRIVER BOX WITH DRIVER INSTALLED (as shown in FIG. 5)

**WARNING: Examine all components for any damage before beginning installation.**

**WARNING: This fixture should be installed by a licensed electrician only.**

**WARNING: Be careful not to scratch or damage any finished parts.**

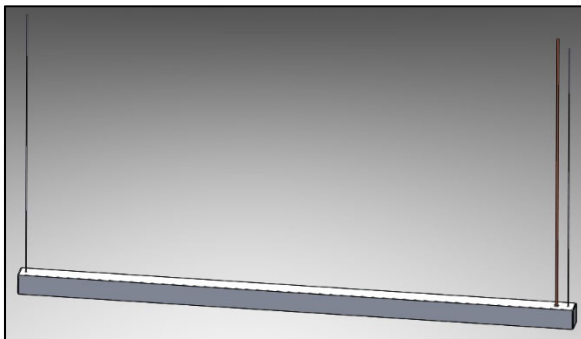


FIG. 2 - LINER

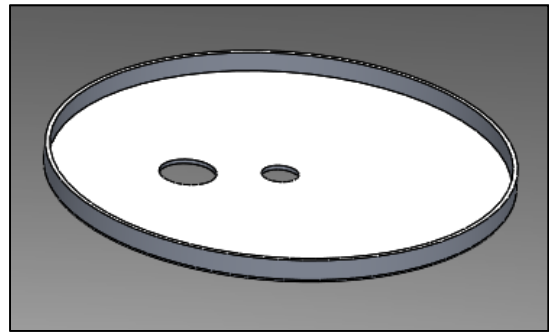


FIG. 3 - CANOPY

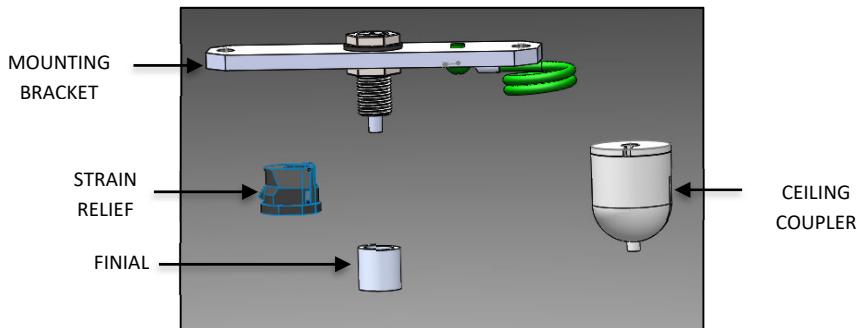


FIG. 4 - MOUNTING KIT

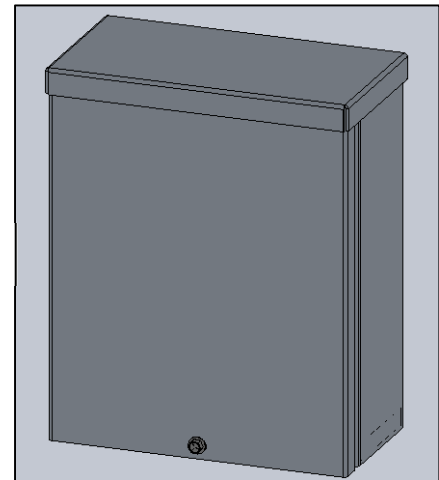


FIG. 5 - REMOTE DRIVER BOX WITH DRIVER INSTALLED

LN1-P1EB-XX-STATICWHITE-INSTALL-INSTRUCTIONS

**REMOTE DRIVER MOUNTING:**

1. Shut off power.
2. Remove the lid of the REMOTE DRIVER HOUSING as shown in FIG. 6 below.

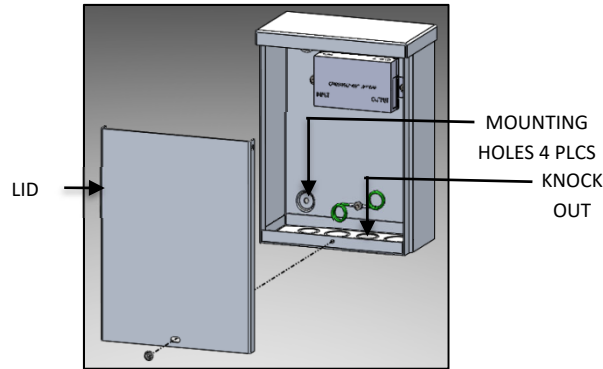


FIG. 6 – REMOTE DRIVER BOX

3. Mount the REMOTE DRIVER HOUSING to code in a location that is 30 feet or less from the FIXTURE BODY and is accessible after installing. Max wire length is 30ft measured from the FIXTURE BODY to the DRIVER.
4. Using the knockout holes at the bottom of the remote box, run conduit into the remote box for the building supply wires (line voltage) and conduit out of the remote box for the fixture wire (low voltage). Conduit, adapters and wires are supplied by other.

**NOTE: Do not run Line Voltage and Low Voltage wires in the same conduit.**

5. Run a positive and negative 16 or larger gauge wire (by others) from the REMOTE DRIVER HOUSING to the junction box the fixture will mount to (by others). Inside the REMOTE DRIVER HOUSING, connect:
  - Driver LED output (+) and positive 16 or larger gauge wire.
  - Driver LED output (-) and negative 16 or larger gauge wire.
  - Dimming wires as shown on the driver in FIG. 7 below.

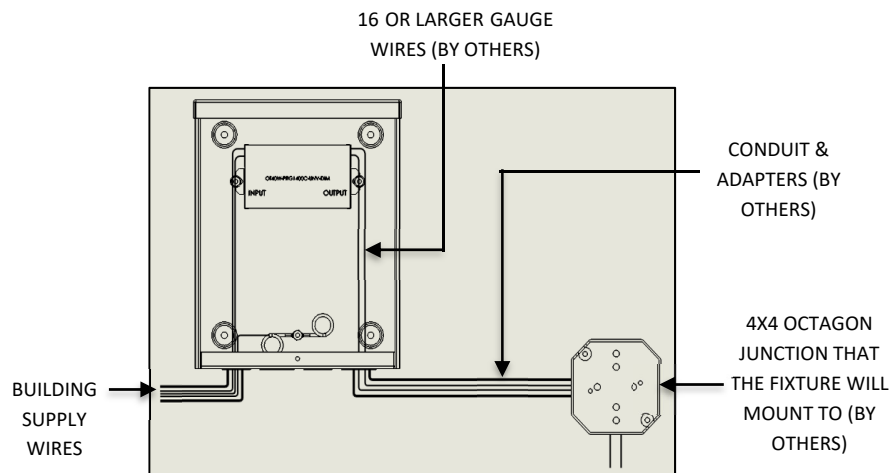


FIG. 7 – WIRE CONNECTION FROM BUILDING SUPPLY TO J-BOX

LN1-P1EB-XX-STATICWHITE-INSTALL-INSTRUCTIONS

- Connect building supply wires to the driver. See WIRE DIAGRAM TABLE for correct WIRE DIAGRAM. Refer to correct wire diagram for wire connections. Make all wire connections in accordance with the national electrical code and all applicable local and state codes. Install the lid on the remote driver housing once connections are done.

WIRE DIAGRAM TABLE						
SERIES	HANGING SYSTEM	BODY SIZE	BODYLIGHT SOURCE	LED OUTPUT	CONTROL	WIRE DIAGRAM
LN1 : LINER	P1EB	24	STATIC WHITE	LED1&LED2	0-10V DIM 1% (DM1)	WIRE DIAGRAM ON PAGE 5
	P1EB	36	STATIC WHITE	LED1&LED2	0-10V DIM 1% (DM1)	WIRE DIAGRAM ON PAGE 5
	P1EB	48	STATIC WHITE	LED1&LED2	0-10V DIM 1% (DM1)	WIRE DIAGRAM ON PAGE 5
	P1EB	60	STATIC WHITE	LED1&LED2	0-10V DIM 1% (DM1)	WIRE DIAGRAM ON PAGE 5
	P1EB	72	STATIC WHITE	LED1&LED2	0-10V DIM 1% (DM1)	WIRE DIAGRAM ON PAGE 5

WIRE DIAGRAM :

**DRIVER WIRES TO BUILDING SUPPLY**  
 BLACK WIRE = LINE VOLTAGE  
 WHITE WIRE = NEUTRAL  
 GREEN WIRE = GROUND  
 PURPLE = DIM +  
 GREY = DIM -

FIG. 8 – WIRE CONNECTION FROM BUILDING SUPPLY TO DRIVER

WIRE LABEL TABLE		
CONTROL	WIRE	LABEL
ALL	INSULATED WIRE	LED +
ALL	BRAIDED WIRE	LED -

FIG. 9 – WIRE CONNECTION FROM DRIVER TO FIXTURE CORD

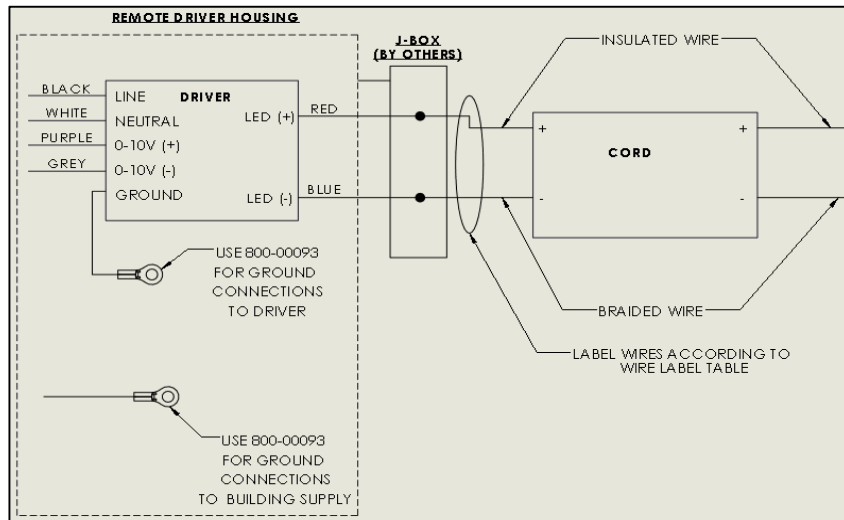



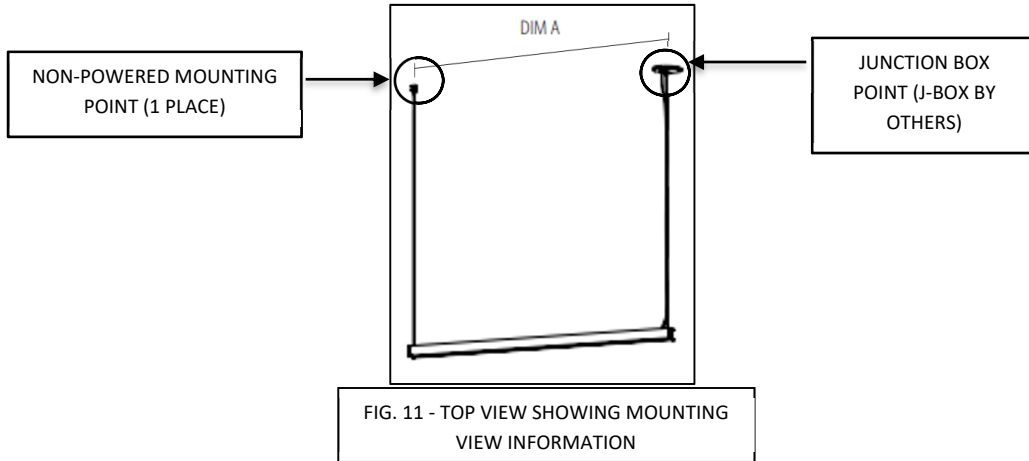
FIG. 10 – WIRE DIAGRAM FOR LN1-P1EB-XX-MW-XXX-LEDX\_XXK-UNV-XXX-

LN1-P1EB-XX-STATICWHITE-INSTALL-INSTRUCTIONS

**LINER MOUNTING:**

1. Mark location for the NON-POWERED MOUNTING POINT according to the MOUNTING INFORMATION TABLE and FIG. 11 below.

LN1 MOUNTING INFORMATION TABLE					
SERIES	FIXTURE DIAMETER	FIXTURE WEIGHT	MOUNTING DISTANCE DIM A	MOUNTING POINT	MIN/MAX OAH
 LN1	24"	3LBS	23.1875"	2	5"/144"
	36"	4LBS	35.1875"	2	5"/144"
	48"	5LBS	47.1875"	2	5"/144"
	60"	6LBS	59.1875"	2	5"/144"
	72"	7LBS	71.1875"	2	5"/144"



2. Dis-assemble the CEILING COUPLER into two components CC-BASE, CC-HOLDER as shown in FIG. 12.

For LINER MOUNTING [HARD CEILING] see steps 3 & 4,  
For LINER MOUNTING [GRID CEILING] see steps 5 & 6.

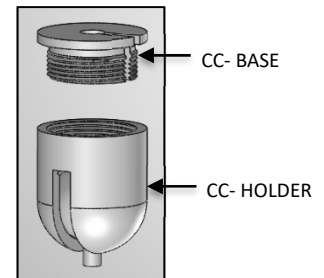


FIG. 12 - CEILING COUPLER ASSEMBLY

**LINER MOUNTING [HARD CEILING]:**

3. For hard ceiling install #8 FLAT HEAD ANCHOR (by others) into ceiling at the non-powered mounting location as per the mounting information chart (page 6).

**WARNING: Anchors (by others) must be rated to 50lbs each and suitable for ceiling material at the non-powered mounting location.**

4. Install the CC-BASE to the #8 FLAT HEAD ANCHOR (by others) previously installed at the non-powered mounting location and secure with the #8 FLAT HEAD ANCHOR SCREW (by others) as shown in FIG. 13.

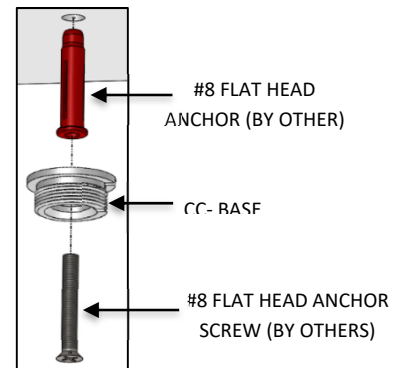
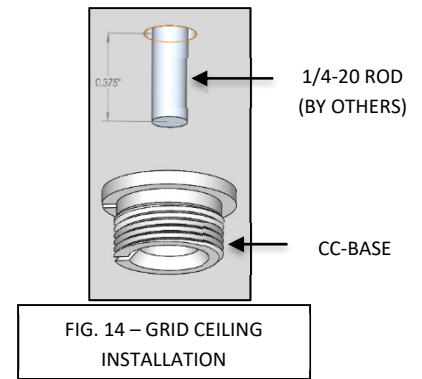


FIG. 13- HARD CEILING INSTALLATION

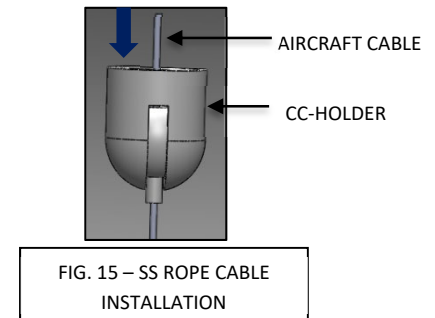
**LINER MOUNTING [GRID CEILING]:**

5. For grid ceiling install 1/4-20 ROD (by others) at the non-powered mounting location as per the mounting information chart (page 6). 1/4-20 ROD should protrude past the bottom of the ceiling surface 0.375".  
**WARNING: Make sure each threaded rod is mounted to structural member rated to at least 50lbs.**
6. Add a light thread locking compound to the 1/4-20 ROD (by others). Then thread CC-BASE to 1/4-20 ROD protruding through the ceiling material as shown in FIG. 14.



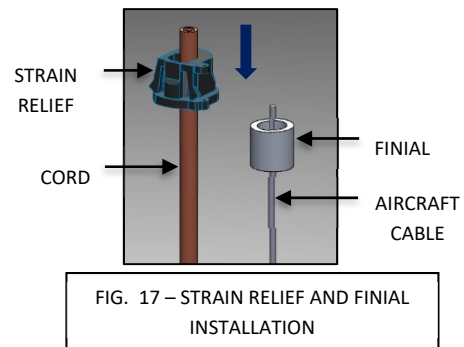
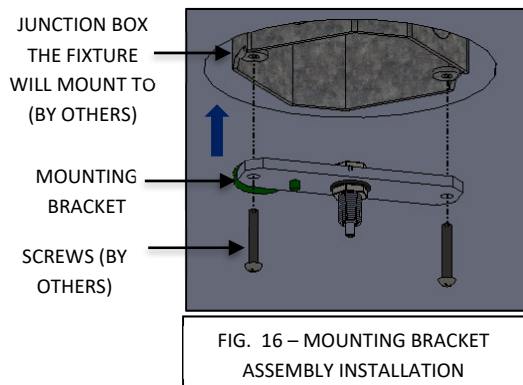
**LINER MOUNTING [NON-POWERED POINT AIRCRAFT CABLE]:**

7. Locate the AIRCRAFT CABLE mounted to the LINER fixture. Feed the AIRCRAFT CABLE through the CC-HOLDER. Adjust the AIRCRAFT CABLE to the desired length and place it aside as shown in FIG. 15.

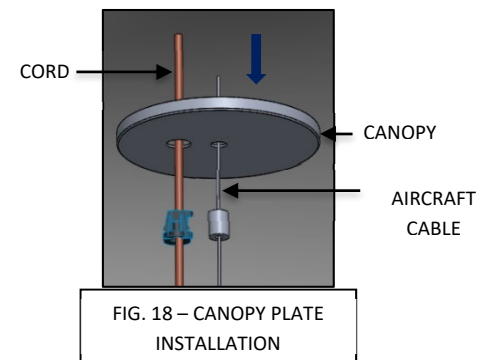


**LINER MOUNTING [CANOPY]:**

8. Assemble the MOUNTING BRACKET ASSEMBLY to the JUNCTION BOX the fixture will mount to (by others) with screws (by others) as shown in FIG. 16 below.
9. Pass the FINIAL and the STRAIN RELIEF through the AIRCRAFT CABLE and CORD respectively. Adjust the STRAIN RELIEF as needed to get the desired CORD length as shown in FIG. 17 below.



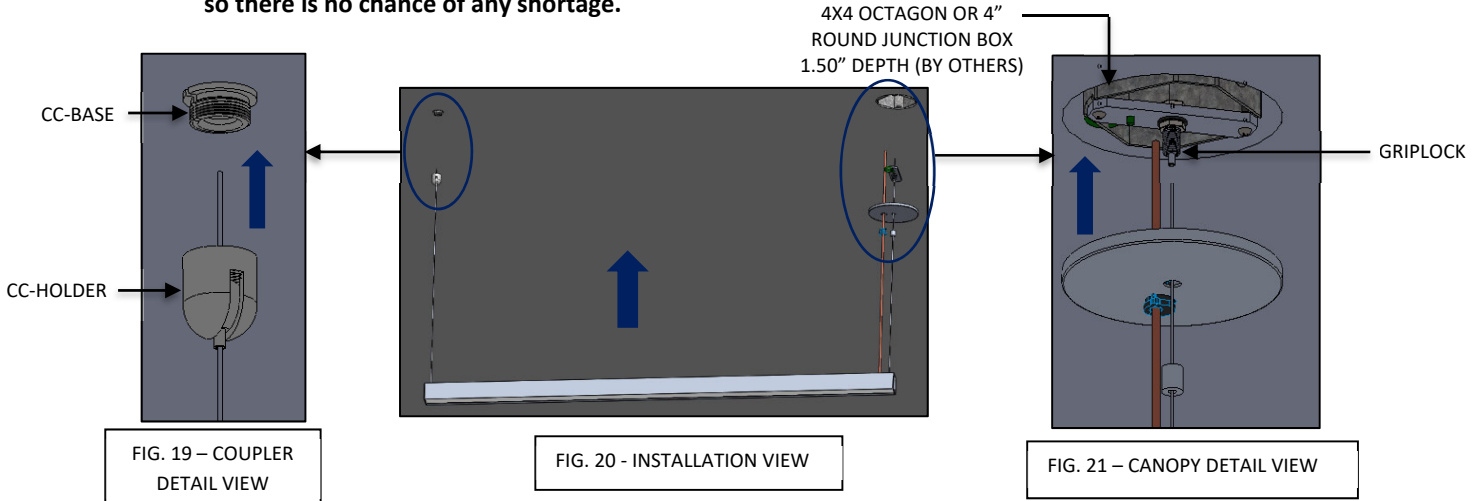
10. Pass the CANOPY through the AIRCRAFT CABLE and CORD in such a way that the AIRCRAFT CABLE goes through the center hole on the CANOPY and CORD passes through the second hole as shown in FIG. 18.



LN1-P1EB-XX-STATICWHITE-INSTALL-INSTRUCTIONS

11. Raise the LINER LUMINAIRE up, with multiple people, to the ceiling and screw the CC-HOLDER to the CC-BASE until fully seated. Simultaneously, feed the AIRCRAFT CABLE through the GRIPLOCK and adjust the AIRCRAFT CABLE to the desired length as shown in FIG. 19, 20 & 21 below.

**NOTE: Make sure to trim the excess of AIRCRAFT CABLE, leaving at least 1.75" past the GRIPLOCK for the GRIPLOCK to function properly. Make sure that the aircraft cable is taped up above the GRIPLOCK, so there is no chance of any shortage.**



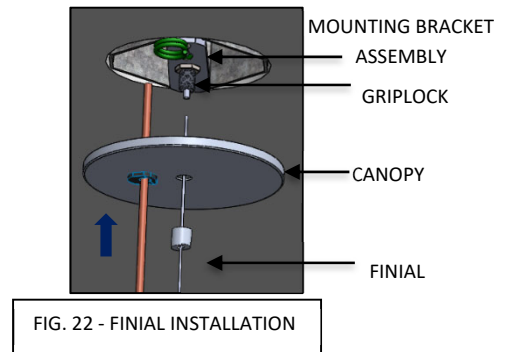
**WARNING:**



1. Do not let the LINER LUMINAIRE hang free until both the AIRCRAFT CABLES are secured and evenly tensioned.
2. Keep hands away from the SILICON DIFFUSER. Do NOT touch it at all times.

12. Make all wire connections in the inside the junction box (by others) in accordance with the national electrical code and all applicable local and state codes. See wire diagram on page 5 and instruction on how to shorten/install the cord on page 9.

13. Raise CANOPY and secure to ceiling by threading the FINIAL to the GRIPLOCK until fully seated as shown in FIG. 22.



14. Restore power to circuit the Liner series pendant is connected to.
  - a. Test to see that the luminaire turns on after power is restored.
  - b. Contact OCL for any luminaire troubleshooting, if a problem occurs.

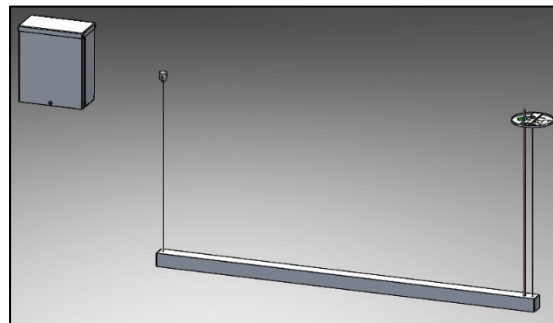


FIG. 23 - COMPLETED INSTALLATION OF LINER PENDANT WITH P1EB HANGING SYSTEM  
LN1-P1EB-XX-MW-XXX-LEDX XXK-UNV-XXX-DM1 (SHOWN)

OCL Architectural Lighting

Phone: 314.863.1895

Fax: 314.863.3278

[www.ocl.com](http://www.ocl.com)



**CORD INSTALL INSTRUCTIONS**

- Strip off 1.00" of outer clear insulation exposing the outer metal braiding as shown in FIG. 24 below. **Be careful not to cut or damage the outer metal braiding.** Gently push braiding down to loosen the individual braids exposing the inner insulated wire as shown in FIG. 25 below.

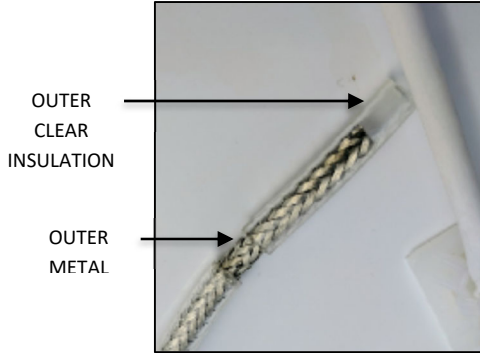


FIG. 24

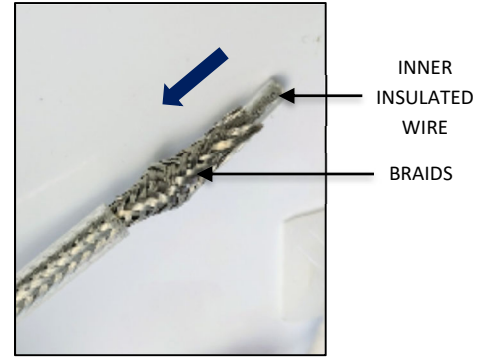


FIG. 25

- Using a small pointed object, begin unweaving the exposed metal braiding as shown in FIG. 26 below. Position the unwoven metal strands on one side of the inner insulated wire and twist the individual strands together as shown in FIG. 27 below.

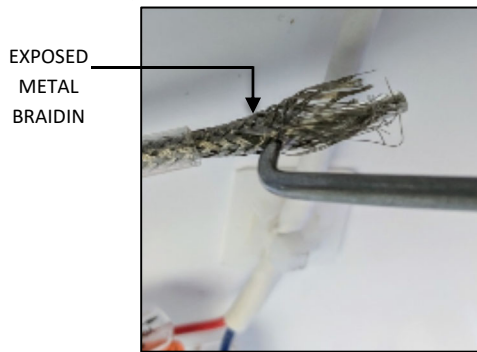


FIG. 26

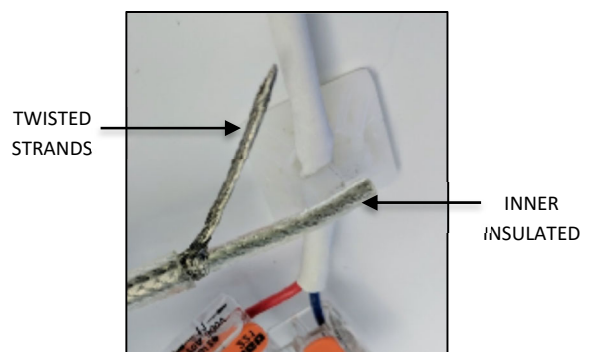


FIG. 27

- Using electrical tape, insulate the twisted strands leaving 0.188" exposed for connections. Strip off 0.188" of the inner insulation as you normally would for 18AWG stranded core wire as shown in FIG. 28 below. Connect the inner insulated wire (+) to the positive 16 gauge or larger wire ran in step 5 at the hanging bracket and Connect the outer braiding (-) to the negative 16 gauge or larger wire ran in step 5 at the hanging bracket FIG. 29 below.

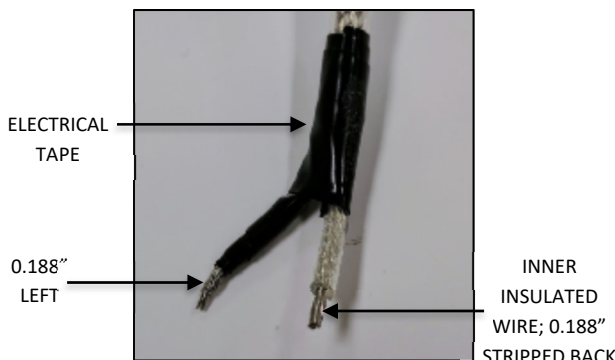


FIG. 28

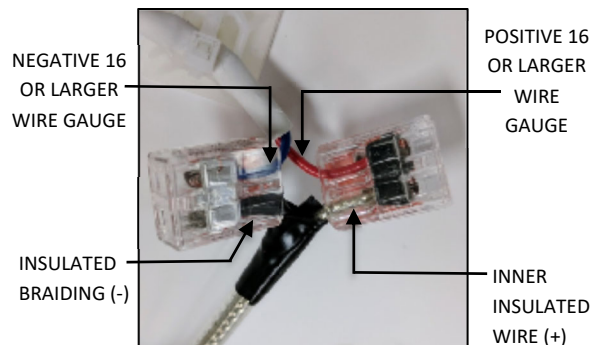


FIG. 29