



Tubie 7™

PENDANT




FEATURES


- AVAILABLE WITH TUNABLE WHITE AND RGBW LIGHT SOURCES
- EVENLY ILLUMINATED ARCHITECTURAL CYLINDER WITH CAST ALUMINUM END CAPS
- FULLY ENCLOSED TO MINIMIZE ACCUMULATION OF DUST AND DEBRIS
- HIGH QUALITY DIE-CAST AND EXTRUDED CONSTRUCTION
- FROSTED WHITE ACRYLIC DIFFUSER
- CHOICE OF PERFORMANCE COB DOWNLIGHT
- FIXTURE CAN BE CLUSTERED TOGETHER TO CREATE LARGE SCALE ARRAYS



CATALOG CODES

TB7	B	C	MW	WTP	I	G	J	UNV	J	K	L
SERIES	HANGING SYSTEM	SIZE	DIFFUSER	FINISH	LIGHT SOURCE: BODY	REFLECTOR	LIGHT SOURCE: DOWNLIGHT	VOLTAGE	CCL	CONTROL	OPTIONS

SPECIFY CATALOG CODE				
A	B	C	D	E
SERIES	HANGING SYSTEM	SIZE	DIFFUSER	FINISH*
 TB7 TUBIE 7™	P1FK PENDANT WITH 5.75" SURFACE MOUNT CANOPY, SINGLE CENTER AIRCRAFT CABLE AND WHITE POWER CORD; MOUNTS TO 4X4 OCTAGON J-BOX (BY OTHERS); INTEGRAL DRIVERS; NOTE: STATIC WHITE NO DOWNLIGHT ONLY	12 24 36 48 60 72 96	MW MATTE WHITE	POWDER COAT FINISHES WTP WHITE TEXTURE PAINT
	P1FF PENDANT WITH 8" SURFACE MOUNT CANOPY, SINGLE CENTER AIRCRAFT CABLE AND WHITE POWER CORD; MOUNTS TO 4X4 OCTAGON J-BOX (BY OTHERS); INTEGRAL DRIVERS; NOTE: STATIC WHITE ONLY			
	P1FG PENDANT WITH 5" FLAT CANOPY, SINGLE CENTER AIRCRAFT CABLE AND WHITE POWER CORD; REMOTE DRIVER ENCLOSURE; NOTE: REQUIRED FOR TWH1 OR RGBW			

F		G	H		I	J	K	L
LIGHT SOURCE: BODY		REFLECTOR**	LIGHT SOURCE: DOWNLIGHT**		VOLTAGE	CORD & CABLE LENGTH**	CONTROL	OPTIONS
LED OUTPUT LED1 LED2 LED3 NOTE: P1FG REQUIRED FOR LED3	COLOR TEMP 27K 30K 35K 40K	ND NO DOWNLIGHT NF NARROW FLOOD [25 DEGREE] WF WIDE FLOOD [60 DEGREE]	LED OUTPUT LED1 LED2	COLOR TEMP 27K 30K 35K 40K	UNV 120-277	48 100 144	DM1 0-10V DIMMING 1% DM8 DUAL 0-10V DIMMABLE TO 0.1% DALI DALI TYPE 6 CONTROL SYSTEM, DIMMABLE TO 0.1% DMX DMX CONTROL; DIMMABLE TO 0.1%	ULD UL DAMP LABEL MOD MODIFIED LUMINAIRE (CONTACT LOCAL REP)
TWH1	TUNABLE WHITE 2700K - 6500K CRI 90+; R9 50+							
RGBW	RGBW	DOWNLIGHT OPTION						

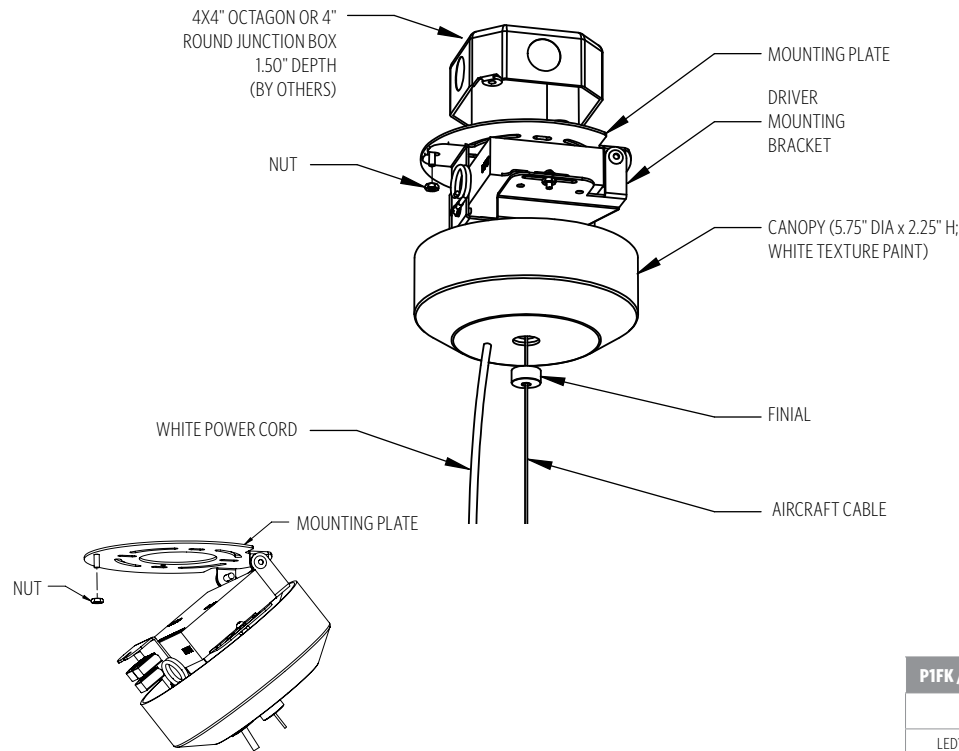
SAMPLE CODE (WITH DOWNLIGHT): TB7-P1FF-48-MW-WTP-LED1/27K-NF/LED1/27K-UNV-100-DM1
SAMPLE CODE (WITHOUT DOWNLIGHT): TB7-P1FK-48-MW-WTP-LED1/27K-ND-UNV-100-DM1

*Body and canopy finish white textured paint (**WTP**) standard; power cord white unless specified; additional colors possible; contact your local rep for availability and lead times
 Specify **ND for no downlight; downlight requires 8" canopy or remote driver mounting; body and downlight will use same controls
 ***For minimum/maximum CCL, see hanging systems details. Fixture will ship with one of three standard CCL's (48", 100" or 144") field adjustable to the desired OAH.

MODS, NOTES, & COMMENTS

HANGING SYSTEM

PIFK PENDANT WITH 5.75" SURFACE MOUNT CANOPY, SINGLE CENTER AIRCRAFT CABLE AND WHITE POWER CORD; MOUNTS TO 4X4 OCTAGON J-BOX (BY OTHERS); INTEGRAL DRIVER;
NOTE: STATIC WHITE NO DOWNLIGHT ONLY



MOUNTING INFORMATION CHART

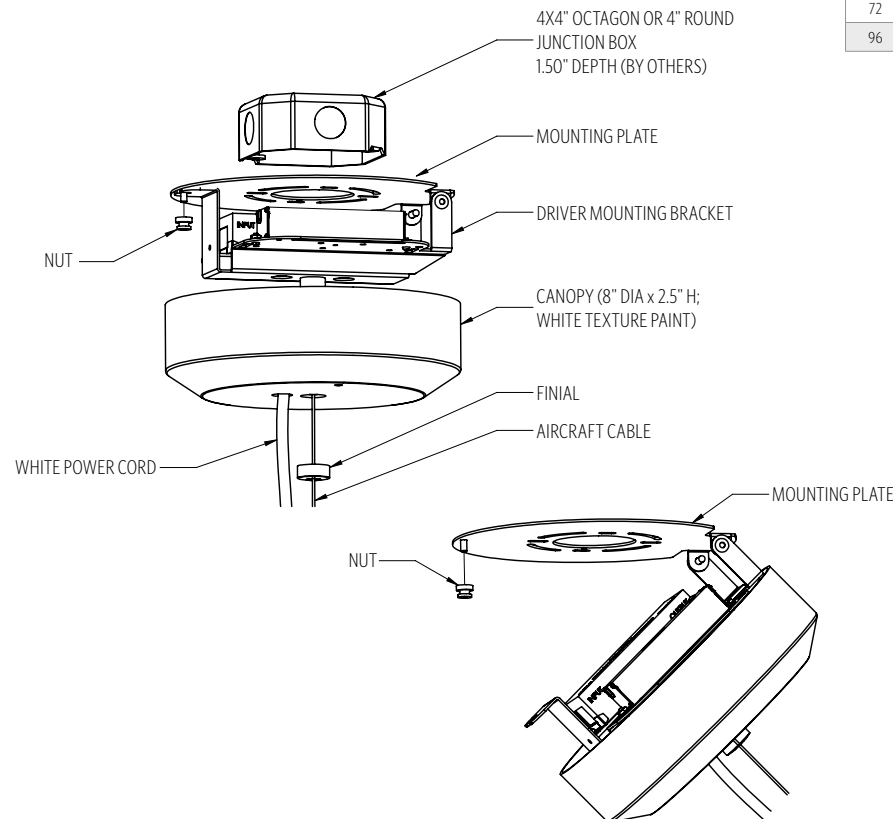
NO DOWNLIGHT		
LUMINAIRE SIZE	LUMINAIRE WEIGHT	MIN/MAX CCL
12"	4.5 LBS	24"/160"
24"	6.5 LBS	36"/172"
36"	8.5 LBS	48"/184"
48"	10.5 LBS	60"/196"
60"	12.5 LBS	72"/208"
72"	14.5 LBS	84"/220"
96"	18.5 LBS	108"/244"

PIFK ships with one of three CCL's (48", 100" or 144") and is field adjustable to the desired height.

PIFK / PIFF SURFACE MOUNT CANOPY OPTIONS (STATIC WHITE ONLY)

	NO DOWNLIGHT			WITH DOWNLIGHT		
	LED1	LED2	LED3	LED1	LED2	LED3
12	PIFK	PIFK	N/A	PIFF	PIFF	N/A
24	PIFK	PIFK	N/A	PIFF	PIFF	N/A
36	PIFK	PIFK	N/A	PIFF	PIFF	N/A
48	PIFK	PIFK	N/A	PIFF	PIFF	N/A
60	PIFK	PIFF	N/A	PIFF	PIFF	N/A
72	PIFK	PIFF	N/A	PIFF	PIFF	N/A
96	PIFK	N/A	N/A	PIFF	N/A	N/A

PIFF PENDANT WITH 8" SURFACE MOUNT CANOPY, SINGLE CENTER AIRCRAFT CABLE AND WHITE POWER CORD; MOUNTS TO 4X4 OCTAGON J-BOX (BY OTHERS); INTEGRAL DRIVERS; **NOTE: STATIC WHITE ONLY**

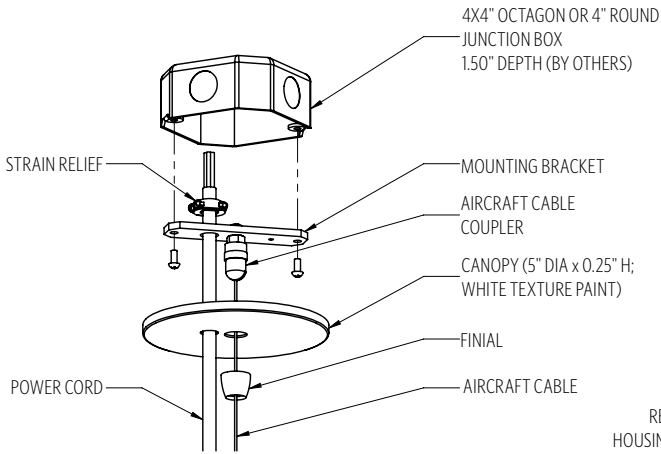


MOUNTING INFORMATION CHART

NO DOWNLIGHT			WITH DOWNLIGHT	
LUMINAIRE SIZE	LUMINAIRE WEIGHT	MIN/MAX CCL	LUMINAIRE WEIGHT	MIN/MAX CCL
12"	4.5 LBS	24"/160"	6.5 LBS	26"/162"
24"	6.5 LBS	36"/172"	8.5 LBS	38"/174"
36"	8.5 LBS	48"/184"	10.5 LBS	50"/186"
48"	10.5 LBS	60"/196"	12.5 LBS	62"/198"
60"	12.5 LBS	72"/208"	14.5 LBS	74"/210"
72"	14.5 LBS	84"/220"	16.5 LBS	86"/222"
96"	18.5 LBS	108"/244"	20.5 LBS	110"/246"

PIFF ships with one of three CCL's (48", 100" or 144") and is field adjustable to the desired height.

PIFG PENDANT WITH 5" FLAT CANOPY, SINGLE CENTER AIRCRAFT CABLE AND WHITE POWER CORD; MOUNTS TO 4X4 OCTAGON J-BOX (BY OTHERS); REMOTE DRIVER ENCLOSURE; **NOTE: REQUIRED FOR DM8, DALI, OR DMX CONTROL**



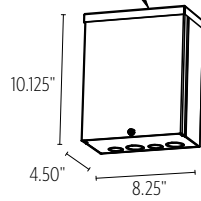
MOUNTING INFORMATION CHART

	NO DOWNLIGHT		WITH DOWNLIGHT	
	LUMINAIRE SIZE	LUMINAIRE WEIGHT	MIN/MAX OAH	LUMINAIRE WEIGHT
TUBIE 7	12"	4.5 LBS	22"/158"	6.5 LBS
	24"	6.5 LBS	34"/170"	8.5 LBS
	36"	8.5 LBS	46"/182"	10.5 LBS
	48"	10.5 LBS	58"/194"	12.5 LBS
	60"	12.5 LBS	70"/206"	14.5 LBS
	72"	14.5 LBS	82"/218"	16.5 LBS
	96"	18.5 LBS	106"/242"	20.5 LBS

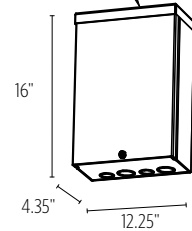
PIFG ships with one of three CCL's (48", 100" or 144") and is field adjustable to the desired height.

PIFG will include ETL listed enclosure for remote mounting drivers. Max 30' distance from luminaire for **DM1, DM8, and DALI**. Enclosure must remain accessible after installation. For **RGBW** remote box distance, contact factory

REMOTE DRIVER HOUSING ENCLOSURE (PROVIDED BY OCL)



REMOTE DRIVER HOUSING ENCLOSURE (PROVIDED BY OCL)



DIFFUSER

FINISH

ACRYLIC FINISHES:



TEXTURED POWDER COAT FINISHES:



RAL®, Pantone® or custom finishes are also available.

These colors are for reference only. Please be aware that colors may vary per monitor. Contact your local rep for finish samples or with any questions.

LIGHT SOURCE

		TUBIE 7"						
		12	24	36	48	60	72	96
LED1	LUMENS DELIVERED	830	2200	3300	4400	5500	6600	8390
	SYSTEM WATTAGE	8	16	24	32	40	48	61
LED2	LUMENS DELIVERED	1100	3580	5360	7150	8940	10730	14300
	SYSTEM WATTAGE	13	26	39	52	65	78	104
LED3	LUMENS DELIVERED	2480	4950	7430	9900	12380	14850	19800
	SYSTEM WATTAGE	18	36	54	72	90	108	144
TWH1	LUMENS DELIVERED	830	2200	3300	4400	5500	6600	8390
	SYSTEM WATTAGE	8	16	24	32	40	48	61
RGBW	LUMENS DELIVERED	-	-	-	-	-	-	-
	SYSTEM WATTAGE	13	26	39	52	65	78	104

This chart was created for a 35K color temp. Multiply by 0.95 for 27k color temp, 0.97 for 30k color temp, and 1.03 for 40k color temp. Wattage and lumen data for **TWH1** and **RGBW** approx. pending LM-79 testing.

STANDARD COLOR TEMPERATURE OPTIONS	CRI
2700K	80+
3000K	80+
3500K	80+
4000K	80+
TUNABLE WHITE	90+
RGBW	N/A

ZONE	TB7 LUMENS	% OF LUMINAIRE
0-30	143	2%
0-60	1259	19%
0-90	3657	51%
90-180	3493	49%
0-180	7150	100%

DOWNLIGHT LUMENS AND WATTAGE CHART

		NF	WF
LED1	LUMENS DELIVERED	1525	1495
	SYSTEM WATTAGE	15	15
LED2	LUMENS DELIVERED	2540	2490
	SYSTEM WATTAGE	25	25

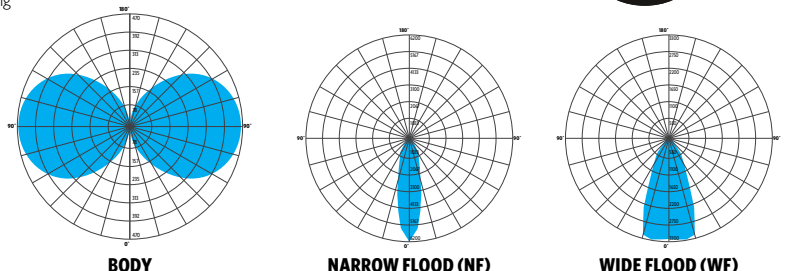
DOWNLIGHT OPTION



PHOTOMETRY:

LUMINAIRE: TB7-PICB-48-MW-WTP-LED2_35K-ND-UNV-48-DM1
 COLOR TEMP #: 3500K
 EFFICACY: 140 LM/W
 TEST REPORT: TEST NO. 20864.0

For all available IES files, please visit our website at ocl.com.

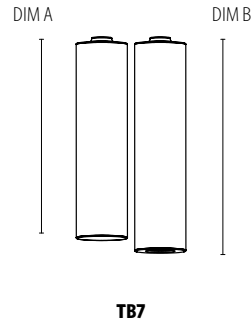


BODY

NARROW FLOOD (NF)

WIDE FLOOD (WF)

SIZES



	BODY HEIGHT	
	TUBIE 7"	
	DIM A NO DOWNLIGHT	DIM B WITH DOWNLIGHT
12	15.435"	17.185"
24	27.435"	29.185"
36	39.435"	41.185"
48	51.435"	53.185"
60	63.435"	65.185"
72	75.435"	77.185"
96	99.435"	101.185"

CONTROL

DM1 0-10V DIMMING 1%

- 0-10V DIMMING PROTOCOL
- 1% MINIMUM DIM LEVEL
- ELECTRONIC DRIVER
- POWER FACTOR >0.9
- THD <20%
- MINIMUM AMBIENT OPERATING TEMPERATURE -31°F
- LINEAR DIMMING CURVE
- FIELD REPLACEABLE

DMX DMX CONTROL DIMMABLE TO 0.1%

- DMX 512A/RDM DIMMING PROTOCOL
- 0.1% MINIMUM DIM LEVEL
- ELECTRONIC DRIVER
- POWER FACTOR >0.9
- THD <20%
- MINIMUM AMBIENT OPERATING TEMPERATURE -4°F
- LOGARITHMIC DIMMING CURVE [DEFAULT]
- FIELD REPLACEABLE

DM8 DUAL 0-10V DIMMING 0.1%

- DUAL 0-10V DIMMING PROTOCOL, INTENSITY AND COLOR
- 0.1% MINIMUM DIM LEVEL
- ELECTRONIC DRIVER
- POWER FACTOR >0.9
- THD <20%
- MINIMUM AMBIENT OPERATING TEMPERATURE -4°F
- LOGARITHMIC DIMMING CURVE [DEFAULT]
- FIELD REPLACEABLE

DALI DALI CONTROL SYSTEM, DIMMABLE 0.1%

- DALI-2 DEVICE TYPE 6 CONTROL PROTOCOL
- 0.1% MINIMUM DIM LEVEL
- ELECTRONIC DRIVER
- POWER FACTOR >0.9
- THD <20%
- MINIMUM AMBIENT OPERATING TEMPERATURE -4°F
- LOGARITHMIC DIMMING CURVE [DEFAULT]
- FIELD REPLACEABLE

OPTIONS

ULD DAMP LABEL LUMINAIRE

- MAY BE USED IN AN OUTDOOR AREA THAT IS PROTECTED FROM DIRECT CONTACT WITH WIND, RAIN, SNOW OR EXCESSIVE MOISTURE

MOD MODIFIED LUMINAIRE

- LUMINAIRE IS MODIFIED FROM STANDARD OPTIONS; CONTACT LOCAL REP FOR MORE INFORMATION

SPECIFICATIONS

CONSTRUCTION

- LED MOUNTING CHANNEL EXTRUDED ALUMINUM
- DIFFUSER IS EXTRUDED FROSTED ACRYLIC
- BODY TOP/BOTTOM CAPS ARE DIE-CAST ALUMINUM
- CANOPY IS SPUN ALUMINUM
- HARDWARE IS ZINC PLATED OR STAINLESS STEEL

MOUNTING

- ALL MOUNT TO 4X4" OCTAGON OR 4" ROUND J-BOX (BY OTHER)

ELECTRICAL

- DIMMING ELECTRONIC DRIVER(S), COMES STANDARD
- WITH 0-10V DOWN TO 1% [STATIC WHITE]
- OCL PROPRIETARY LED ARRAYS USE NICHIA 757 DIODES [BODY LIGHT]
- BRIDGELUX V13 GEN 7 COB 80CRI [DOWNLIGHT]
- **FOR INTEGRAL DRIVERS:** LUMINAIRE CONNECTS TO BUILDING SUPPLY (120V-277V 50/60HZ)
- **FOR REMOTE DRIVERS:** LUMINAIRE WIRE LEADS ARE LOW-VOLTAGE. THE WIRES SHOULD BE CONNECTED TO OCL PROVIDED REMOTE DRIVER ENCLOSURE ONLY!

LISTING

- ETL LISTED TO UL 1598 FOR DRY LOCATIONS, DAMP LOCATION LISTED IS OPTION

WARRANTY

- 5 YEAR; ALL ELECTRICAL COMPONENTS RETAIN THE MANUFACTURER'S WARRANTY

The drawings and specifications and ideas, designs and arrangements represented on these drawings are and shall remain the property of The Original Cast Lighting (OCL Architectural Lighting) and no part thereof shall be copied, disclosed, to others or used in conjunction with any work or project other than the specified project for which they have been prepared and developed, without written consent of OCL. Visual contact with these plans or specifications shall constitute conclusive evidence of acceptance of these restrictions. All specifications and information subject to change without notice.