



Tubie 5™

PENDANT




FEATURES


- AVAILABLE WITH TUNABLE WHITE AND RGBW LIGHT SOURCES
- EVENLY ILLUMINATED ARCHITECTURAL CYLINDER WITH CAST ALUMINUM END CAPS
- FULLY ENCLOSED TO MINIMIZE ACCUMULATION OF DUST AND DEBRIS
- HIGH QUALITY DIE-CAST AND EXTRUDED CONSTRUCTION
- FROSTED WHITE ACRYLIC DIFFUSER
- CHOICE OF PERFORMANCE COB DOWNLIGHT
- FIXTURE CAN BE CLUSTERED TOGETHER TO CREATE LARGE SCALE ARRAYS

MADE IN USA  

CATALOG CODES

TB5	B	C	MW	WTP	I	G	J	UNV	J	K	L
SERIES	HANGING SYSTEM	SIZE	DIFFUSER	FINISH	LIGHT SOURCE: BODY	REFLECTOR	LIGHT SOURCE: DOWNLIGHT	VOLTAGE	CCL	CONTROL	OPTIONS

SPECIFY CATALOG CODE					
A	B	C	D	E	
SERIES	HANGING SYSTEM	SIZE	DIFFUSER	FINISH*	
 <p>TB5 TUBIE 5"</p>	<p>P1FK PENDANT WITH 5.75" SURFACE MOUNT CANOPY, SINGLE CENTER AIRCRAFT CABLE AND WHITE POWER CORD; MOUNTS TO 4X4 OCTAGON J-BOX (BY OTHERS); INTEGRAL DRIVERS; NOTE: STATIC WHITE NO DOWNLIGHT ONLY</p>	<p>12</p> <p>24</p> <p>36</p> <p>48</p> <p>60</p> <p>72</p> <p>96</p>	<p>MW MATTE WHITE</p>	<p>POWDER COAT FINISHES</p> <p>WTP WHITE TEXTURE PAINT</p>	
	<p>P1FF PENDANT WITH 8" SURFACE MOUNT CANOPY, SINGLE CENTER AIRCRAFT CABLE AND WHITE POWER CORD; MOUNTS TO 4X4 OCTAGON J-BOX (BY OTHERS); INTEGRAL DRIVERS; NOTE: STATIC WHITE ONLY</p>				
	<p>P1FG PENDANT WITH 5" FLAT CANOPY, SINGLE CENTER AIRCRAFT CABLE AND WHITE POWER CORD; REMOTE DRIVER ENCLOSURE; NOTE: REQUIRED FOR TWH1 OR RGBW</p>				

F		G	H		I	J	K	L
LIGHT SOURCE: BODY		REFLECTOR**	LIGHT SOURCE: DOWNLIGHT**		VOLTAGE	CORD & CABLE LENGTH**	CONTROL	OPTIONS
<p>LED OUTPUT</p> <p>LED1</p> <p>LED2</p>	<p>COLOR TEMP</p> <p>27K</p> <p>30K</p> <p>35K</p> <p>40K</p>	<p>ND NO DOWNLIGHT</p> <p>NF NARROW FLOOD [25 DEGREE]</p> <p>WF WIDE FLOOD [60 DEGREE]</p>	<p>LED OUTPUT</p> <p>LED1</p>	<p>COLOR TEMP</p> <p>27K</p> <p>30K</p> <p>35K</p> <p>40K</p>	<p>UNV 120-277</p>	<p>48</p> <p>100</p> <p>144</p>	<p>DM1 0-10V DIMMING 1%</p>	<p>ULD UL DAMP LABEL</p> <p>BIOS BIOS SKYBLUE™ OR BIOS SKYBLUE™ DYNAMIC LIGHT ENGINE****</p> <p>MOD MODIFIED LUMINAIRE (CONTACT LOCAL REP)</p>
<p>TWH1</p>	<p>TUNABLE WHITE 2700K - 6500K CRI 90+; R9 50+</p>						<p>DM8 DUAL 0-10V DIMMABLE TO 0.1%</p> <p>DALI DALI TYPE 6 CONTROL SYSTEM, DIMMABLE TO 0.1%</p>	
<p>RGBW</p>	<p>RGBW</p>	<p>DOWNLIGHT OPTION</p>					<p>DMX DMX CONTROL; DIMMABLE TO 0.1%</p>	

SAMPLE CODE (WITH DOWNLIGHT): TB5-P1FF-48-MW-WTP-LED1/27K-NF/LED1/27K-UNV-100-DM1
SAMPLE CODE (WITHOUT DOWNLIGHT): TB5-P1FK-48-MW-WTP-LED1/27K-ND-UNV-100-DM1

MODS, NOTES, & COMMENTS

- *Body and canopy finish white textured paint (**WTP**) standard; power cord white unless specified; additional colors possible; contact your local rep for availability and lead times
- **Specify **ND** for no downlight; downlight requires 8" canopy or remote driver mounting; body and downlight will use same controls
- ***For minimum/maximum CCL, see hanging systems details. Fixture will ship with one of three standard CCL's (48", 100" or 144") field adjustable to the desired OAH.
- ****Contact factory for **BIOS SkyBlue®** or **BIOS SkyBlue® Dynamic** light engine and control options.



This product meets the material restrictions of Article 4 of the RoHS Directive (2011/65/EU), including Commission Delegated Directive 2015/863

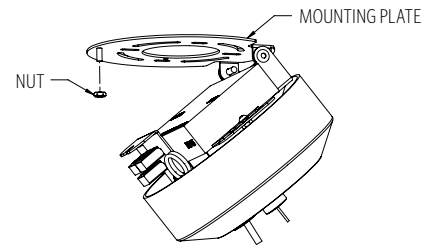
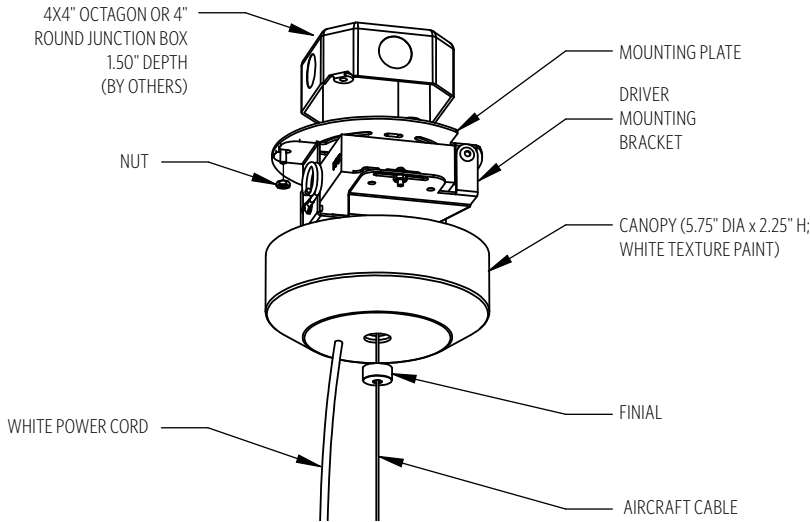
HANGING SYSTEM

PIFK PENDANT WITH 5.75" SURFACE MOUNT CANOPY, SINGLE CENTER AIRCRAFT CABLE AND WHITE POWER CORD; MOUNTS TO 4X4 OCTAGON J-BOX (BY OTHERS); INTEGRAL DRIVER;
NOTE: STATIC WHITE NO DOWNLIGHT ONLY

MOUNTING INFORMATION CHART

	NO DOWNLIGHT		
	LUMINAIRE SIZE	LUMINAIRE WEIGHT	MIN/MAX CCL
TUBIE 5	12"	3.5 LBS	24"/160"
	24"	5 LBS	36"/172"
	36"	6.5 LBS	48"/184"
	48"	8 LBS	60"/196"
	60"	9.5 LBS	72"/208"
	72"	11 LBS	84"/220"
	96"	13.5 LBS	108"/244"

PIFK ships with one of three CCL's (48", 100" or 144") and is field adjustable to the desired height.

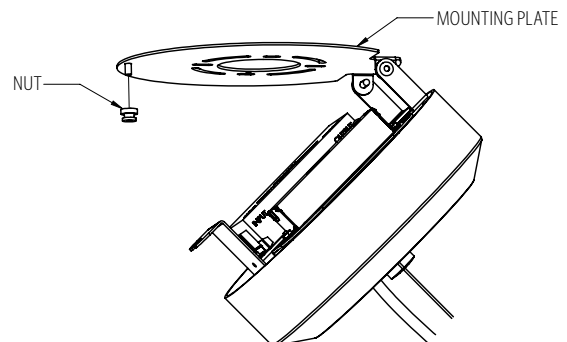
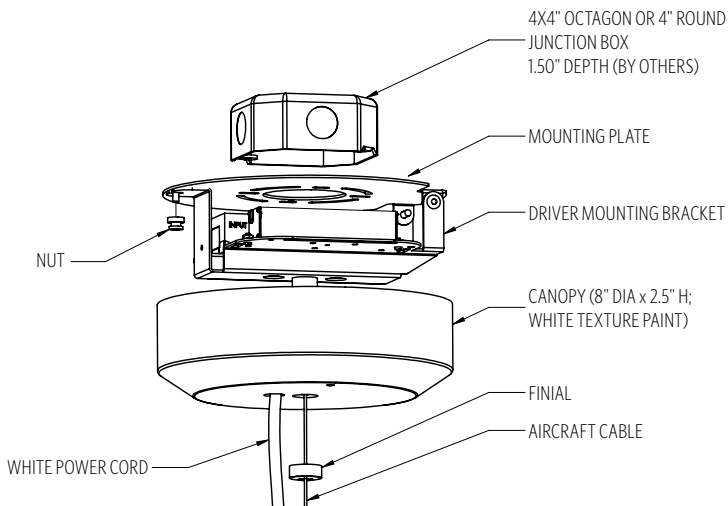


PIFF PENDANT WITH 8" SURFACE MOUNT CANOPY, SINGLE CENTER AIRCRAFT CABLE AND WHITE POWER CORD; MOUNTS TO 4X4 OCTAGON J-BOX (BY OTHERS); INTEGRAL DRIVERS; **NOTE: STATIC WHITE ONLY**

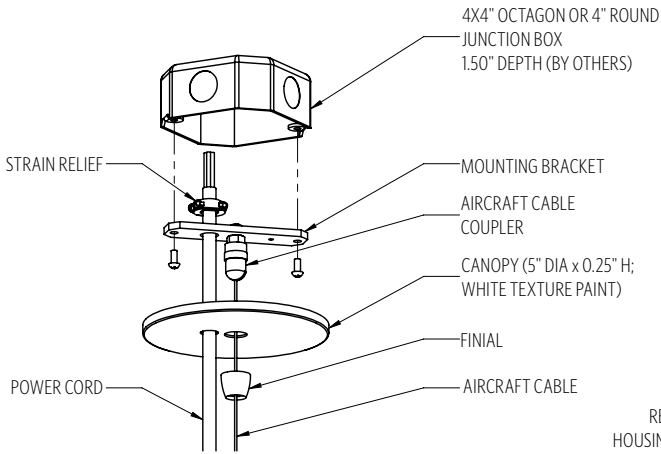
MOUNTING INFORMATION CHART

	NO DOWNLIGHT			WITH DOWNLIGHT	
	LUMINAIRE SIZE	LUMINAIRE WEIGHT	MIN/MAX CCL	LUMINAIRE WEIGHT	MIN/MAX CCL
TUBIES	12"	3.5 LBS	24"/160"	4.5 LBS	26"/162"
	24"	5 LBS	36"/172"	6 LBS	38"/174"
	36"	6.5 LBS	48"/184"	7.5 LBS	50"/186"
	48"	8 LBS	60"/196"	9 LBS	62"/198"
	60"	9.5 LBS	72"/208"	10.5 LBS	74"/210"
	72"	11 LBS	84"/220"	12 LBS	86"/222"
	96"	13.5 LBS	108"/244"	14.5 LBS	110"/246"

PIFF ships with one of three CCL's (48", 100" or 144") and is field adjustable to the desired height.



PIFG PENDANT WITH 5" FLAT CANOPY, SINGLE CENTER AIRCRAFT CABLE AND WHITE POWER CORD; MOUNTS TO 4X4 OCTAGON J-BOX (BY OTHERS); REMOTE DRIVER ENCLOSURE. **NOTE: REQUIRED FOR DM8, DALI, OR DMX CONTROL**



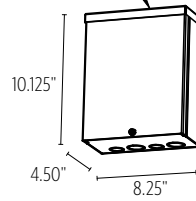
MOUNTING INFORMATION CHART

	NO DOWNLIGHT			WITH DOWNLIGHT	
	LUMINAIRE SIZE	LUMINAIRE WEIGHT	MIN/MAX OAH	LUMINAIRE WEIGHT	MIN/MAX OAH
TUBIE 5	12"	3.5 LBS	22"/158"	4.5 LBS	24"/160"
	24"	5 LBS	34"/170"	6 LBS	36"/172"
	36"	6.5 LBS	46"/182"	7.5 LBS	48"/184"
	48"	8 LBS	58"/194"	9 LBS	60"/196"
	60"	9.5 LBS	70"/206"	10.5 LBS	72"/208"
	72"	11 LBS	82"/218"	12 LBS	84"/220"
	96"	13.5 LBS	106"/242"	14.5 LBS	108"/244"

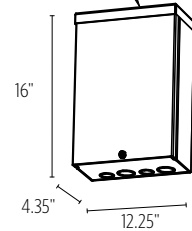
PIFG ships with one of three CCL's (48", 100" or 144") and is field adjustable to the desired height.

PIFG will include ETL listed enclosure for remote mounting drivers. Max 30' distance from luminaire for **DM1, DM8, and DALI**. Enclosure must remain accessible after installation. For **RGBW** remote box distance, contact factory

REMOTE DRIVER HOUSING ENCLOSURE (PROVIDED BY OCL)



REMOTE DRIVER HOUSING ENCLOSURE (PROVIDED BY OCL)



DIFFUSER

ACRYLIC FINISHES:



TEXTURED POWDER COAT FINISHES:



FINISH

RAL®, Pantone® or custom finishes are also available.

These colors are for reference only. Please be aware that colors may vary per monitor. Contact your local rep for finish samples or with any questions.

LIGHT SOURCE

		TUBIE 5"						
		12	24	36	48	60	72	96
LED1	LUMENS DELIVERED	730	1240	1650	2200	2750	3300	4690
	SYSTEM WATTAGE	6	9	12	16	20	24	32
LED2	LUMENS DELIVERED	1100	2200	3300	4400	5500	6600	8800
	SYSTEM WATTAGE	9	16	24	32	40	48	61
TWH1	LUMENS DELIVERED	730	1240	1650	2200	2750	3300	4690
	SYSTEM WATTAGE	6	9	12	16	20	24	32
RGBW	LUMENS DELIVERED	-	-	-	-	-	-	-
	SYSTEM WATTAGE	9	16	24	32	40	48	61

This chart was created for a 35K color temp. Multiply by 0.95 for 27k color temp, 0.97 for 30k color temp, and 1.03 for 40k color temp. Wattage and lumen data for **TWH1** and **RGBW** approx. pending LM-79 testing.

STANDARD COLOR TEMPERATURE OPTIONS	CRI
2700K	80+
3000K	80+
3500K	80+
4000K	80+
TUNABLE WHITE	90+
RGBW	N/A

ZONE	TB5 LUMENS	% OF LUMINAIRE
0-30	88	2%
0-60	836	19%
0-90	2244	51%
90-180	2156	49%
0-180	4400	100%

DOWNLIGHT LUMENS AND WATTAGE CHART		
LED1		WF
	LUMENS DELIVERED	1525
SYSTEM WATTAGE	15	15

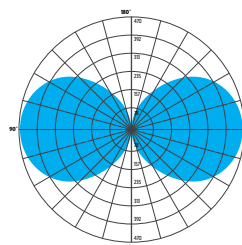
DOWNLIGHT OPTION



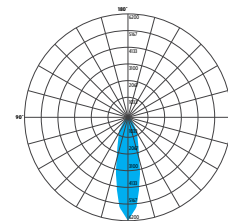
PHOTOMETRY:

LUMINAIRE: TB5-PICB-48-MW-WTP-LED2_35K-ND-UNV-48-DM1
 COLOR TEMP #: 3500K
 EFFICACY: 140 LM/W
 TEST REPORT: TEST NO. 20864.0

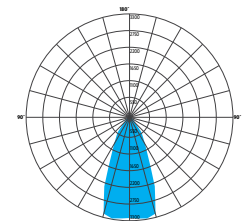
For all available IES files, please visit our website at ocl.com.



BODY

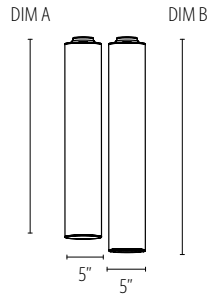


NARROW FLOOD (NF)



WIDE FLOOD (WF)

SIZES



TB5

	BODY HEIGHT	
	TUBIE 5"	
	DIM A NO DOWNLIGHT	DIM B WITH DOWNLIGHT
12	15.31"	17.185"
24	27.31"	29.185"
36	39.31"	41.185"
48	51.31"	53.185"
60	63.31"	65.185"
72	75.31"	77.185"
96	99.31"	101.185"

CONTROL

DM1 0-10V DIMMING 1%

- 0-10V DIMMING PROTOCOL
- 1% MINIMUM DIM LEVEL
- ELECTRONIC DRIVER
- POWER FACTOR >0.9
- THD <20%
- MINIMUM AMBIENT OPERATING TEMPERATURE -31°F
- LINEAR DIMMING CURVE
- FIELD REPLACEABLE

DALI DALI CONTROL SYSTEM, DIMMABLE 0.1%

- DALI-2 DEVICE TYPE 6 CONTROL PROTOCOL
- 0.1% MINIMUM DIM LEVEL
- ELECTRONIC DRIVER
- POWER FACTOR >0.9
- THD <20%
- MINIMUM AMBIENT OPERATING TEMPERATURE -4°F
- LOGARITHMIC DIMMING CURVE [DEFAULT]
- FIELD REPLACEABLE

DMX DMX CONTROL DIMMABLE TO 0.1%

- DMX 512A/RDM DIMMING PROTOCOL
- 0.1% MINIMUM DIM LEVEL
- ELECTRONIC DRIVER
- POWER FACTOR >0.9
- THD <20%
- MINIMUM AMBIENT OPERATING TEMPERATURE -4°F
- LOGARITHMIC DIMMING CURVE [DEFAULT]
- FIELD REPLACEABLE

DM8 DUAL 0-10V DIMMING 0.1%

- 0-10V DIMMING PROTOCOL
- 0.1% MINIMUM DIM LEVEL
- ELECTRONIC DRIVER
- POWER FACTOR >0.9
- THD <20%
- MINIMUM AMBIENT OPERATING TEMPERATURE -4°F
- LOGARITHMIC DIMMING CURVE [DEFAULT]
- FIELD REPLACEABLE

OPTIONS

ULD DAMP LABEL LUMINAIRE

- MAY BE USED IN AN OUTDOOR AREA THAT IS PROTECTED FROM DIRECT CONTACT WITH WIND, RAIN, SNOW OR EXCESSIVE MOISTURE

MOD MODIFIED LUMINAIRE

- LUMINAIRE IS MODIFIED FROM STANDARD OPTIONS; CONTACT LOCAL REP FOR MORE INFORMATION

BIOS

- BIOS SKYBLUE™ DYNAMIC** LIGHT ENGINE IS DIMMABLE AND FEATURES A SIMPLE APPROACH TO CIRCADIAN LIGHTING CONTROLS.
- WHEN PAIRED WITH THE BIOS BIO-DIMMING MODULE, IT OPERATES USING ANY SINGLE CHANNEL CONSTANT CURRENT (CC) LED DRIVER AND CAN BE USED WITH ANY STANDARD DIMMING INTERFACE/PROTOCOL (0-10V, ELV, DMX, WIRELESS) AND COULD WORK WITH EXISTING TWO-CHANNEL CONTROL SYSTEMS AS WELL.
- VISIT OCL.COM/BIOS FOR MORE INFORMATION

SPECIFICATIONS

CONSTRUCTION

- LED MOUNTING CHANNEL EXTRUDED ALUMINUM
- DIFFUSER IS EXTRUDED FROSTED ACRYLIC
- BODY TOP/BOTTOM CAPS ARE DIE-CAST ALUMINUM
- CANOPY IS SPUN ALUMINUM
- HARDWARE IS ZINC PLATED OR STAINLESS STEEL

MOUNTING

- ALL MOUNT TO 4X4" OCTAGON OR 4" ROUND J-BOX (BY OTHER)

ELECTRICAL

- DIMMING ELECTRONIC DRIVER(S), COMES STANDARD
- WITH 0-10V DOWN TO 1% [STATIC WHITE]
- OCL PROPRIETARY LED ARRAYS USE NICHIA 757 DIODES [BODY LIGHT]
- BRIDGELUX V13 GEN 7 COB 80CRI [DOWNLIGHT]
- FOR INTEGRAL DRIVERS:** LUMINAIRE CONNECTS TO BUILDING SUPPLY (120V-277V 50/60HZ)
- FOR REMOTE DRIVERS:** LUMINAIRE WIRE LEADS ARE LOW-VOLTAGE. THE WIRES SHOULD BE CONNECTED TO OCL PROVIDED REMOTE DRIVER ENCLOSURE ONLY!

LISTING

- ETL LISTED TO UL 1598 FOR DRY LOCATIONS, DAMP LOCATION LISTED IS OPTION

WARRANTY

- 5 YEAR; ALL ELECTRICAL COMPONENTS RETAIN THE MANUFACTURER'S WARRANTY

SUSTAINABILITY

- THIS PRODUCT MEETS THE MATERIAL RESTRICTIONS OF ARTICLE 4 OF THE **ROHS** DIRECTIVE (2011/65/EU), INCLUDING COMMISSION DELEGATED DIRECTIVE 2015/863
- BIOS** LIGHTING CONTRIBUTES TOWARD THE CIRCADIAN LIGHTING DESIGN FEATURE 54 UNDER THE **WELL BUILDING STANDARD™ V1** AND FEATURE L03 UNDER THE **WELL BUILDING STANDARD V2**

COMMON MODIFICATIONS

WE'RE BUILT FOR OUT-OF-THE-BOX THINKERS.

Nearly 50% of OCL fixtures we manufacture have some type of modification. Here is a list of common modifications we frequently produce. **Please contact the factory for modifications specific to your fixture or project.**

Need some help? Simply send your questions to us at OCL-Quotes@ocl.com

- BIOS, TUNABLE WHITE, WARM-DIM, & RGBW LIGHT SOURCES
- SPECIFIC LUMEN OUTPUT
- MODIFIED CLUSTERS OR CONFIGURATIONS / MULTI-DROP CANOPIES
- VARIOUS SHAPES, ARCS, AND CURVES FOR LINEAR PROFILES AND RINGS
- CEILING OR SURFACE MOUNTING
- LARGE SCALE MODIFICATIONS
- RAL, PANTONE, BRAND-SPECIFIC, RETIRED OCL COLOR, OR CUSTOM FINISHES



- EMERGENCY BATTERY BACKUP OR INVERTER OPTIONS
- REMOTE DRIVERS / EXTENDED DISTANCE REMOTE DRIVERS
- DIMMING TO 0.1% (DIM TO DARK)
- NON-STANDARD SIZES OR LENGTHS
- NON-STANDARD CANOPY, BODY AND/OR CORD COLORS
- SEISMIC AND/OR ANTI-SWAY SYSTEMS
- RIGID STEMS
- MODIFIED OVERALL HEIGHTS (LONGER OR SHORTER OAH)
- UPLIGHT ADDITIONS
- LASER ETCHING, ENGRAVING, AND CUTOUTS

The drawings and specifications and ideas, designs and arrangements represented on these drawings are and shall remain the property of The Original Cast Lighting (OCL Architectural Lighting) and no part thereof shall be copied, disclosed, to others or used in conjunction with any work or project other than the specified project for which they have been prepared and developed, without written consent of OCL. Visual contact with these plans or specifications shall constitute conclusive evidence of acceptance of these restrictions. All specifications and information subject to change without notice.