

Tubie 3™

PENDANT


FEATURES


- **AVAILABLE WITH TUNABLE WHITE AND RGBW LIGHT SOURCES**
- EVENLY ILLUMINATED ARCHITECTURAL CYLINDER WITH CAST ALUMINUM END CAPS
- FULLY ENCLOSED TO MINIMIZE ACCUMULATION OF DUST AND DEBRIS
- HIGH QUALITY DIE-CAST AND EXTRUDED CONSTRUCTION
- FROSTED WHITE ACRYLIC DIFFUSER
- CHOICE OF PERFORMANCE COB DOWNLIGHT
- FIXTURE CAN BE CLUSTERED TOGETHER TO CREATE LARGE SCALE ARRAYS



CATALOG CODES

TB3	B	C	MW	WTP	f	G	l	UNV	J	K	L
SERIES	HANGING SYSTEM	SIZE	DIFFUSER	FINISH	LIGHT SOURCE: BODY	REFLECTOR	LIGHT SOURCE: DOWNLIGHT	VOLTAGE	CCL	CONTROL	OPTIONS

SPECIFY CATALOG CODE					
A	B	C	D	E	
SERIES	HANGING SYSTEM*	SIZE	DIFFUSER	FINISH*	
 <p>TB3 TUBIE 3™</p>	SURFACE MOUNT CANOPY OPTIONS (STATIC WHITE ONLY)		MW MATTE WHITE	POWDER COAT FINISHES WTP WHITE TEXTURE PAINT	
	P1CB PENDANT WITH 5.75" SURFACE MOUNT CANOPY, SINGLE WHITE POWER CORD; MOUNTS TO 4X4 OCTAGON J-BOX (BY OTHERS); INTEGRAL DRIVER; NOTE: STATIC WHITE WITHOUT DOWNLIGHT ONLY				12 24 36 48 60 72 96
	P1FH PENDANT WITH 8" SURFACE MOUNT CANOPY, SINGLE WHITE POWER CORD; MOUNTS TO 4X4 OCTAGON J-BOX (BY OTHERS); INTEGRAL DRIVERS; NOTE: STATIC WHITE WITH DOWNLIGHT ONLY				
	FLAT MOUNT CANOPY OPTIONS (REMOTE DRIVER)				
	P1FJ PENDANT WITH 5" FLAT CANOPY, SINGLE WHITE POWER CORD; MOUNTS TO 4X4 OCTAGON J-BOX (BY OTHERS); REMOTE DRIVER ENCLOSURE. NOTE: STATIC WHITE, TUNABLE WHITE, OR RGBW				

F LIGHT SOURCE: BODY			G REFLECTOR**	H LIGHT SOURCE: DOWNLIGHT**		I VOLTAGE	J CORD & CABLE LENGTH***	K CONTROL	L OPTIONS
LED OUTPUT	COLOR TEMP (80+ CRI)	COLOR TEMP (90+ CRI)	ND NO DOWNLIGHT	LED OUTPUT	COLOR TEMP	UNV 120-277	48 100 144	DM1 0-10V DIMMING 1%	ULD UL DAMP LABEL
LED1	27K	927K	NF NARROW FLOOD [25 DEGREE]	LED1	(80+ CRI)				BIOS BIOS SKYBLUE™ OR BIOS SKYBLUE™ DYNAMIC LIGHT ENGINE****
LED2	30K	930K	WF WIDE FLOOD [60 DEGREE]		27K				MOD MODIFIED LUMINAIRE (CONTACT LOCAL REP)
	35K	935K			30K			DM8 DUAL 0-10V DIMMABLE TO 0.1%	
	40K	940K			35K			DALI DALI TYPE 6 CONTROL SYSTEM, DIMMABLE TO 0.1%	
TWH1	TUNABLE WHITE 2700K - 6500K CRI 90+; R9 50+				40K			DMX DMX CONTROL; DIMMABLE TO 0.1%	
					(90+ CRI)				
RGBW	RGBW		DOWNLIGHT OPTION		927K 930K 935K 940K				

SAMPLE CODE (WITH DOWNLIGHT): TB3-P1FH-48-MW-WTP-LED1/27K-NF/LED1/27K-UNV-100-DM1

SAMPLE CODE (WITHOUT DOWNLIGHT): TB3-P1CB-48-MW-WTP-LED1/27K-ND-UNV-100-DM1

*Body and canopy finish white textured paint (**WTP**) standard; power cord white unless specified; additional colors possible; contact your local rep for availability and lead times

Specify **ND for no downlight; downlight requires 8" canopy or remote driver mounting; body and downlight will you same controls

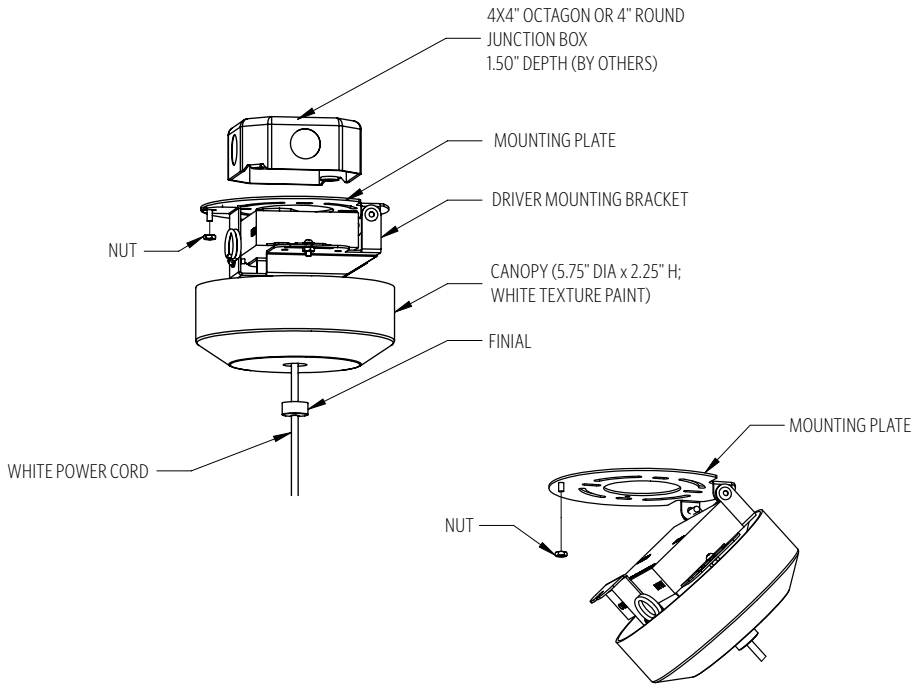
***For minimum/maximum OAH, see hanging systems details. Fixture will ship with one of three standard CCL's (48", 100" or 144") field adjustable to the desired OAH.

****Contact factory for **BIOS SkyBlue®** or **BIOS SkyBlue® Dynamic** light engine and control options.

MODS, NOTES, & COMMENTS

HANGING SYSTEM

P1CB PENDANT WITH 5.75" SURFACE MOUNT CANOPY, SINGLE WHITE POWER CORD; MOUNTS TO 4X4 OCTAGON J-BOX (BY OTHERS); INTEGRAL DRIVER; **NOTE: STATIC WHITE WITHOUT DOWNLIGHT ONLY**



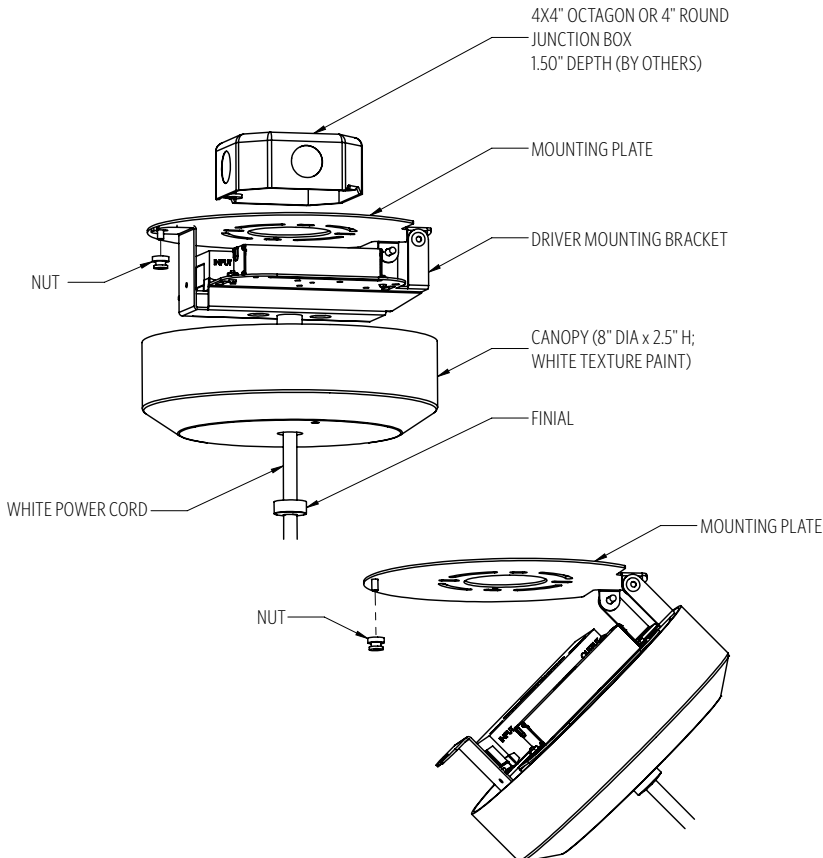
MOUNTING INFORMATION

NO DOWNLIGHT

LUMINAIRE SIZE	LUMINAIRE WEIGHT	MIN/MAX OAH
12"	2 LBS	23"/159"
24"	3 LBS	35"/171"
36"	4 LBS	47"/183"
48"	5 LBS	59"/195"
60"	6 LBS	71"/207"
72"	7 LBS	83"/219"
96"	9 LBS	107"/243"

P1CB ships with one of three CCL's (48", 100" or 144") and is field adjustable to the desired height.

P1FH PENDANT WITH 8" SURFACE MOUNT CANOPY, SINGLE WHITE POWER CORD; MOUNTS TO 4X4 OCTAGON J-BOX (BY OTHERS); INTEGRAL DRIVERS; **NOTE: STATIC WHITE WITH DOWNLIGHT ONLY**



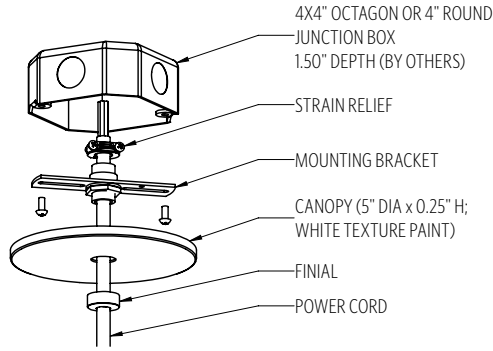
MOUNTING INFORMATION

WITH DOWNLIGHT

LUMINAIRE SIZE	LUMINAIRE WEIGHT	MIN/MAX OAH
TUBIE 3		
12"	3 LBS	26"/162"
24"	4 LBS	38"/174"
36"	5 LBS	50"/186"
48"	6 LBS	62"/198"
60"	7 LBS	74"/210"
72"	8 LBS	86"/222"
96"	10 LBS	110"/246"

P1FH ships with one of three CCL's (48", 100" or 144") and is field adjustable to the desired height.

PIFJ PENDANT WITH 5" FLAT CANOPY, SINGLE WHITE POWER CORD; MOUNTS TO 4X4 OCTAGON J-BOX (BY OTHERS); REMOTE DRIVER ENCLOSURE; **NOTE: STATIC WHITE, TUNABLE WHITE, OR RGBW**



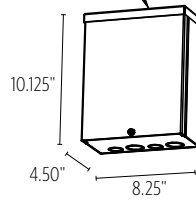
MOUNTING INFORMATION CHART

	NO DOWNLIGHT			WITH DOWNLIGHT	
	LUMINAIRE SIZE	LUMINAIRE WEIGHT	MIN/MAX OAH	LUMINAIRE WEIGHT	MIN/MAX OAH
TUBIE 3	12	2 LBS	21"/157"	3 LBS	24"/160"
	24	3 LBS	33"/1169"	4 LBS	36"/172"
	36	4 LBS	45"/181"	5 LBS	48"/184"
	48	5 LBS	57"/193"	6 LBS	60"/196"
	60	6 LBS	69"/205"	7 LBS	72"/208"
	72	7 LBS	81"/217"	8 LBS	84"/220"
	96"	9 LBS	105"/241"	10 LBS	108"/244"

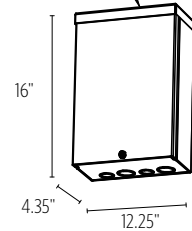
PIFJ ships with one of three CCL's (48", 100" or 144") and is field adjustable to the desired height.

PIFJ will include ETL listed enclosure for remote mounting drivers. Max 30' distance from luminaire for **DM1, DM8, and DALI**. Enclosure must remain accessible after installation. For **RGBW** remote box distance, contact factory

REMOTE DRIVER HOUSING ENCLOSURE (PROVIDED BY OCL)



REMOTE DRIVER HOUSING ENCLOSURE (PROVIDED BY OCL)



DIFFUSER

FINISH

ACRYLIC FINISHES:



TEXTURED POWDER COAT FINISHES:



RAL[®], Pantone[®] or custom finishes are also available.

These colors are for reference only. Please be aware that colors may vary per monitor. Contact your local rep for finish samples or with any questions.

LUMENS AND WATTAGE CHART		TUBIE 3"						
		12	24	36	48	60	72	96
LED1	LUMENS DELIVERED	730	1240	1650	2200	2750	3300	4690
	SYSTEM WATTAGE	6	9	12	16	20	24	32
LED2	LUMENS DELIVERED	1100	2200	3300	4400	5500	6600	8800
	SYSTEM WATTAGE	9	16	24	32	40	48	61
TWH1	LUMENS DELIVERED	730	1240	1650	2200	2750	3300	4690
	SYSTEM WATTAGE	6	9	12	16	20	24	32
RGBW	LUMENS DELIVERED	-	-	-	-	-	-	-
	SYSTEM WATTAGE	9	16	24	32	40	48	61

STANDARD COLOR TEMPERATURE OPTIONS	CRI (RA)	
2700K	80+	90+
3000K	80+	90+
3500K	80+	90+
4000K	80+	90+
TWH1	90+	
RGBW	N/A	

ZONE	TB5 LUMENS	% OF LUMINAIRE
0-30	88	2%
0-60	836	19%
0-90	2244	51%
90-180	2156	49%
0-180	4400	100%

For 80+ CRI - 80 RA, R9 > 0 (10-15 TYP); For 90+ CRI - 90 RA, R9 > 50

This chart was created for a 35K color temp. Multiply by 0.95 for 27k color temp, 0.97 for 30k color temp, and 1.03 for 40k color temp. Wattage and lumen data for **TWH1** and **RGBW** approx. pending LM-79 testing. Values shown for 80+ CRI. For 90+ CRI lumens, use 0.85 multiplier.

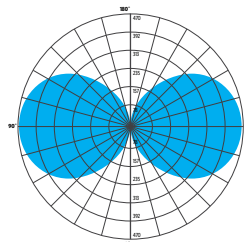
PHOTOMETRY:

LUMINAIRE: TBX-PICB-48-MW-WTP-LED2_35K-ND-UNV-48-DM1
 COLOR TEMP #: 3500K
 EFFICACY: 140 LM/W
 TEST REPORT: TEST NO. 20864.0

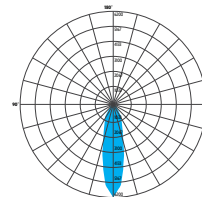
For all available IES files, please visit our website at ocl.com.

DOWNLIGHT LUMENS AND WATTAGE CHART	NF	WF	
	LED1	LUMENS DELIVERED	1525
	SYSTEM WATTAGE	15	15

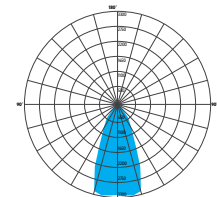
Values shown for 80+ CRI. For 90+ CRI lumens, use 0.85 multiplier.



BODY

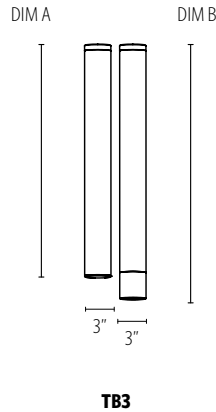


NARROW FLOOD (NF)



WIDE FLOOD (WF)

SIZES



	BODY HEIGHT	
	TUBIE 3"	
	DIM A NO DOWNLIGHT	DIM B WITH DOWNLIGHT
12	14.4"	16.9"
24	26.4"	28.9"
36	38.4"	40.9"
48	50.4"	52.9"
60	62.4"	64.9"
72	74.4"	76.9"
96	98.4"	100.9"

CONTROL

DM1 0-10V DIMMING 1%

- 0-10V DIMMING PROTOCOL
- 1% MINIMUM DIM LEVEL
- ELECTRONIC DRIVER
- POWER FACTOR >0.9
- THD <20%
- MINIMUM AMBIENT OPERATING TEMPERATURE -31°F
- LINEAR DIMMING CURVE
- FIELD REPLACEABLE

DALI DALI CONTROL SYSTEM, DIMMABLE 0.1%

- DALI-2 DEVICE TYPE 6 CONTROL PROTOCOL
- 0.1% MINIMUM DIM LEVEL
- ELECTRONIC DRIVER
- POWER FACTOR >0.9
- THD <20%
- MINIMUM AMBIENT OPERATING TEMPERATURE -4°F
- LOGARITHMIC DIMMING CURVE [DEFAULT]
- FIELD REPLACEABLE

DMX DMX CONTROL DIMMABLE TO 0.1%

- DMX 512A/RDM DIMMING PROTOCOL
- 0.1% MINIMUM DIM LEVEL
- ELECTRONIC DRIVER
- POWER FACTOR >0.9
- THD <20%
- MINIMUM AMBIENT OPERATING TEMPERATURE -4°F
- LOGARITHMIC DIMMING CURVE [DEFAULT]
- FIELD REPLACEABLE

DM8 DUAL 0-10V DIMMING 0.1%

- 0-10V DIMMING PROTOCOL
- 0.1% MINIMUM DIM LEVEL
- ELECTRONIC DRIVER
- POWER FACTOR >0.9
- THD <20%
- MINIMUM AMBIENT OPERATING TEMPERATURE -4°F
- LOGARITHMIC DIMMING CURVE [DEFAULT]
- FIELD REPLACEABLE

OPTIONS

ULD DAMP LABEL LUMINAIRE

- MAY BE USED IN AN OUTDOOR AREA THAT IS PROTECTED FROM DIRECT CONTACT WITH WIND, RAIN, SNOW OR EXCESSIVE MOISTURE

MOD MODIFIED LUMINAIRE

- LUMINAIRE IS MODIFIED FROM STANDARD OPTIONS; CONTACT LOCAL REP FOR MORE INFORMATION

BIOS

- BIOS SKYBLUE™ DYNAMIC** LIGHT ENGINE IS DIMMABLE AND FEATURES A SIMPLE APPROACH TO CIRCADIAN LIGHTING CONTROLS.
- WHEN PAIRED WITH THE BIOS BIO-DIMMING MODULE, IT OPERATES USING ANY SINGLE CHANNEL CONSTANT CURRENT (CC) LED DRIVER AND CAN BE USED WITH ANY STANDARD DIMMING INTERFACE/PROTOCOL (0-10V, ELV, DMX, WIRELESS) AND COULD WORK WITH EXISTING TWO-CHANNEL CONTROL SYSTEMS AS WELL.
- VISIT OCL.COM/BIOS FOR MORE INFORMATION

SPECIFICATIONS

CONSTRUCTION

- LED MOUNTING CHANNEL EXTRUDED ALUMINUM
- DIFFUSER IS EXTRUDED FROSTED ACRYLIC
- BODY TOP/BOTTOM CAPS ARE DIE-CAST ALUMINUM
- CANOPY IS SPUN ALUMINUM
- HARDWARE IS ZINC PLATED OR STAINLESS STEEL

MOUNTING

- ALL MOUNT TO 4X4" OCTAGON OR 4" ROUND J-BOX (BY OTHER)

ELECTRICAL

- DIMMING ELECTRONIC DRIVER(S), COMES STANDARD
- WITH 0-10V DOWN TO 1% [STATIC WHITE]
- OCL PROPRIETARY LED ARRAYS USE NICHIA 757 DIODES [BODY LIGHT]
- BRIDGELUX COB 80CRI [DOWNLIGHT]
- FOR INTEGRAL DRIVERS:** LUMINAIRE CONNECTS TO BUILDING SUPPLY (120V-277V 50/60HZ)
- FOR REMOTE DRIVERS:** LUMINAIRE WIRE LEADS ARE LOW-VOLTAGE. THE WIRES SHOULD BE CONNECTED TO OCL PROVIDED REMOTE DRIVER ENCLOSURE ONLY!

LISTING

- ETL LISTED TO UL 1598 FOR DRY LOCATIONS, DAMP LOCATION LISTED IS OPTION

WARRANTY

- 5 YEAR; ALL ELECTRICAL COMPONENTS RETAIN THE MANUFACTURER'S WARRANTY

BUILD AMERICA, BUY AMERICA (BABA)

- THIS PRODUCT MEETS THE GUIDELINES FOR THE BUILD AMERICA, BUY AMERICA ACT. **SOME EXCLUSIONS APPLY.** FOR MORE INFORMATION AND A FULL LIST OF ELIGIBLE SKUS, VISIT OCL.COM/BABA

SUSTAINABILITY

- THIS PRODUCT MEETS THE MATERIAL RESTRICTIONS OF ARTICLE 4 OF THE **ROHS** DIRECTIVE (2011/65/EU), INCLUDING COMMISSION DELEGATED DIRECTIVE 2015/863
- BIOS** LIGHTING CONTRIBUTES TOWARD THE CIRCADIAN LIGHTING DESIGN FEATURE 54 UNDER THE **WELL BUILDING STANDARD™ V1** AND FEATURE L03 UNDER THE **WELL BUILDING STANDARD V2**

COMMON MODIFICATIONS

WE'RE BUILT FOR OUT-OF-THE-BOX THINKERS.

Nearly 50% of OCL fixtures we manufacture have some type of modification. Here is a list of common modifications we frequently produce. **Please contact the factory for modifications specific to your fixture or project.**

Need some help? Simply send your questions to us at OCL-Quotes@ocl.com

- BIOS, TUNABLE WHITE, WARM-DIM, & RGBW LIGHT SOURCES
- SPECIFIC LUMEN OUTPUT
- MODIFIED CLUSTERS OR CONFIGURATIONS / MULTI-DROP CANOPIES
- VARIOUS SHAPES, ARCS, AND CURVES FOR LINEAR PROFILES AND RINGS
- CEILING OR SURFACE MOUNTING
- LARGE SCALE MODIFICATIONS
- RAL, PANTONE, BRAND-SPECIFIC, RETIRED OCL COLOR, OR CUSTOM FINISHES



- EMERGENCY BATTERY BACKUP OR INVERTER OPTIONS
- REMOTE DRIVERS / EXTENDED DISTANCE REMOTE DRIVERS
- DIMMING TO 0.1% (DIM TO DARK)
- NON-STANDARD SIZES OR LENGTHS
- NON-STANDARD CANOPY, BODY AND/OR CORD COLORS
- SEISMIC AND/OR ANTI-SWAY SYSTEMS
- RIGID STEMS
- MODIFIED OVERALL HEIGHTS (LONGER OR SHORTER OAH)
- UPLIGHT ADDITIONS
- LASER ETCHING, ENGRAVING, AND CUTOUTS

The drawings and specifications and ideas, designs and arrangements represented on these drawings are and shall remain the property of The Original Cast Lighting (OCL Architectural Lighting) and no part thereof shall be copied, disclosed, to others or used in conjunction with any work or project other than the specified project for which they have been prepared and developed, without written consent of OCL. Visual contact with these plans or specifications shall constitute conclusive evidence of acceptance of these restrictions. All specifications and information subject to change without notice.