



# Tubie 3™

PENDANT




**FEATURES**


- AVAILABLE WITH TUNABLE WHITE AND RGBW LIGHT SOURCES
- EVENLY ILLUMINATED ARCHITECTURAL CYLINDER WITH CAST ALUMINUM END CAPS
- FULLY ENCLOSED TO MINIMIZE ACCUMULATION OF DUST AND DEBRIS
- HIGH QUALITY DIE-CAST AND EXTRUDED CONSTRUCTION
- FROSTED WHITE ACRYLIC DIFFUSER
- CHOICE OF PERFORMANCE COB DOWNLIGHT
- FIXTURE CAN BE CLUSTERED TOGETHER TO CREATE LARGE SCALE ARRAYS



**CATALOG CODES**

|            |                |          |           |            |                    |           |                         |            |          |          |          |
|------------|----------------|----------|-----------|------------|--------------------|-----------|-------------------------|------------|----------|----------|----------|
| <b>TB3</b> | <b>B</b>       | <b>C</b> | <b>MW</b> | <b>WTP</b> | <b>f</b>           | <b>G</b>  | <b>l</b>                | <b>UNV</b> | <b>J</b> | <b>K</b> | <b>L</b> |
| SERIES     | HANGING SYSTEM | SIZE     | DIFFUSER  | FINISH     | LIGHT SOURCE: BODY | REFLECTOR | LIGHT SOURCE: DOWNLIGHT | VOLTAGE    | CCL      | CONTROL  | OPTIONS  |

| SPECIFY CATALOG CODE   |  |   |                       |   |
|--|--|---|-----------------------|---|
| A  | B  | C   | D                     | E   |
| SERIES   | HANGING SYSTEM*  | SIZE  | DIFFUSER              | FINISH*   |
|  <p><b>TB3</b> TUBIE 3™</p> | <b>SURFACE MOUNT CANOPY OPTIONS (STATIC WHITE ONLY)</b>  |   | <b>MW</b> MATTE WHITE | <b>POWDER COAT FINISHES</b><br><b>WTP</b> WHITE TEXTURE PAINT |
|  | <b>P1CB</b> PENDANT WITH 5.75" SURFACE MOUNT CANOPY, SINGLE WHITE POWER CORD; MOUNTS TO 4X4 OCTAGON J-BOX (BY OTHERS); INTEGRAL DRIVER; <b>NOTE: STATIC WHITE WITHOUT DOWNLIGHT ONLY</b> | <b>12</b><br><b>24</b><br><b>36</b><br><b>48</b><br><b>60</b><br><b>72</b><br><b>96</b> |                       |   |
|  | <b>P1FH</b> PENDANT WITH 8" SURFACE MOUNT CANOPY, SINGLE WHITE POWER CORD; MOUNTS TO 4X4 OCTAGON J-BOX (BY OTHERS); INTEGRAL DRIVERS; <b>NOTE: STATIC WHITE WITH DOWNLIGHT ONLY</b>      |   |                       |   |
|  | <b>FLAT MOUNT CANOPY OPTIONS (REMOTE DRIVER)</b>   |   |                       |   |
|  | <b>P1FJ</b> PENDANT WITH 5" FLAT CANOPY, SINGLE WHITE POWER CORD; MOUNTS TO 4X4 OCTAGON J-BOX (BY OTHERS); REMOTE DRIVER ENCLOSURE; <b>NOTE: STATIC WHITE, TUNABLE WHITE, OR RGBW</b>    |   |                       |   |

| F                          |  | G   | H                         |  | I                  | J  | K  | L   |
|----------------------------|--|---|---------------------------|--|--------------------|--|--|---|
| LIGHT SOURCE: BODY         |  | REFLECTOR**   | LIGHT SOURCE: DOWNLIGHT** |  | VOLTAGE            | CORD & CABLE LENGTH***                                   | CONTROL                                  | OPTIONS   |
| <b>LED OUTPUT</b>          | <b>COLOR TEMP</b>                                    | <b>ND</b> NO DOWNLIGHT  | <b>LED OUTPUT</b>         | <b>COLOR TEMP</b>                                    | <b>UNV</b> 120-277 | <b>48</b><br><b>100</b><br><b>144</b>                    | <b>DM1</b> 0-10V DIMMING 1%              | <b>ULD</b> UL DAMP LABEL<br><b>MOD</b> MODIFIED LUMINAIRE (CONTACT LOCAL REP) |
| <b>LED1</b><br><b>LED2</b> | <b>27K</b><br><b>30K</b><br><b>35K</b><br><b>40K</b> | <b>NF</b> NARROW FLOOD [25 DEGREE]<br><b>WF</b> WIDE FLOOD [60 DEGREE]              | <b>LED1</b>               | <b>27K</b><br><b>30K</b><br><b>35K</b><br><b>40K</b> |                    |  | <b>DM8</b> DUAL 0-10V DIMMABLE TO 0.1%   |   |
| <b>TWH1</b>                | TUNABLE WHITE 2700K - 6500K CRI 90+; R9 50+          |  |                           |  |                    | <b>DALI</b> DALI TYPE 6 CONTROL SYSTEM, DIMMABLE TO 0.1% |  |   |
| <b>RGBW</b>                | RGBW   | DOWNLIGHT OPTION  |                           |  |                    |  | <b>DMX</b> DMX CONTROL; DIMMABLE TO 0.1% |   |

**SAMPLE CODE (WITH DOWNLIGHT): TB3-P1FH-48-MW-WTP-LED1/27K-NF/LED1/27K-UNV-100-DM1**  
**SAMPLE CODE (WITHOUT DOWNLIGHT): TB3-P1CB-48-MW-WTP-LED1/27K-ND-UNV-100-DM1**

**MODS, NOTES, & COMMENTS**

\*Body and canopy finish white textured paint (**WTP**) standard; power cord white unless specified; additional colors possible; contact your local rep for availability and lead times

\*\*Specify **ND** for no downlight; downlight requires 8" canopy or remote driver mounting; body and downlight will use same controls

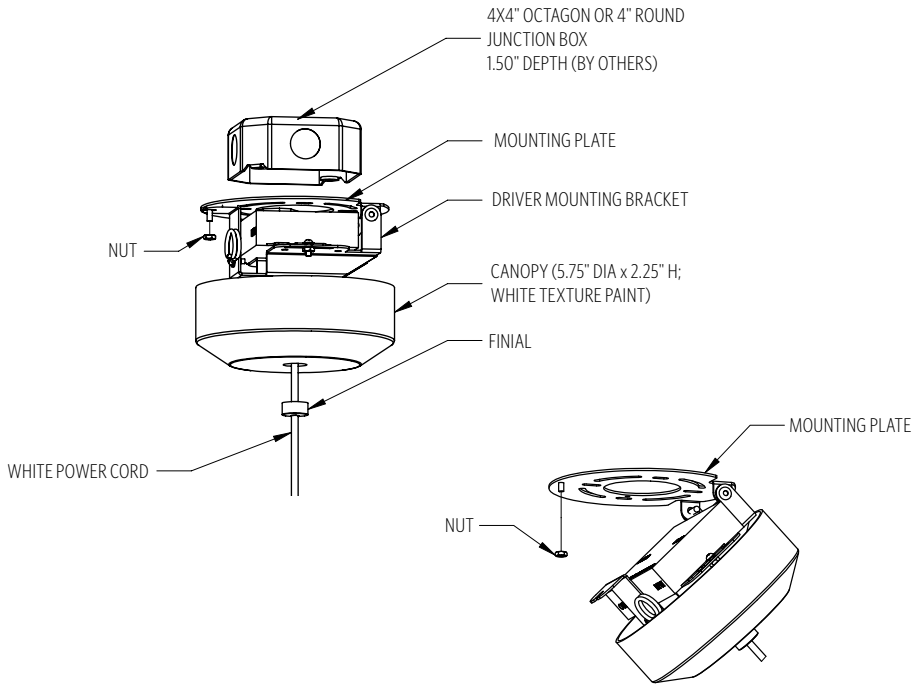
\*\*\*For minimum/maximum OAH, see hanging systems details. Fixture will ship with one of three standard CCL's (48", 100" or 144") field adjustable to the desired OAH.



This product meets the material restrictions of Article 4 of the RoHS Directive (2011/65/EU), including Commission Delegated Directive 2015/863

HANGING SYSTEM

**P1CB** PENDANT WITH 5.75" SURFACE MOUNT CANOPY, SINGLE WHITE POWER CORD; MOUNTS TO 4X4 OCTAGON J-BOX (BY OTHERS); INTEGRAL DRIVER; **NOTE: STATIC WHITE WITHOUT DOWNLIGHT ONLY**



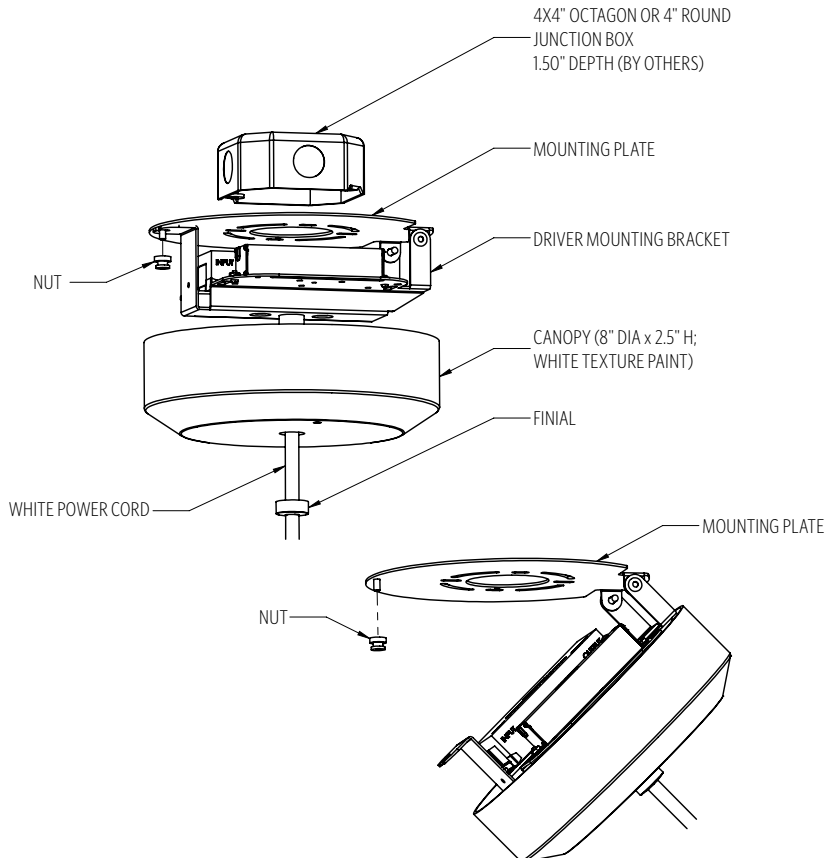
**MOUNTING INFORMATION**

**NO DOWNLIGHT**

| LUMINAIRE SIZE | LUMINAIRE WEIGHT | MIN/MAX OAH |
|----------------|------------------|-------------|
|                |                  |             |
| 12"            | 2 LBS            | 23"/159"    |
| 24"            | 3 LBS            | 35"/171"    |
| 36"            | 4 LBS            | 47"/183"    |
| 48"            | 5 LBS            | 59"/195"    |
| 60"            | 6 LBS            | 71"/207"    |
| 72"            | 7 LBS            | 83"/219"    |
| 96"            | 9 LBS            | 107"/243"   |

P1CB ships with one of three CCL's (48", 100" or 144") and is field adjustable to the desired height.

**P1FH** PENDANT WITH 8" SURFACE MOUNT CANOPY, SINGLE WHITE POWER CORD; MOUNTS TO 4X4 OCTAGON J-BOX (BY OTHERS); INTEGRAL DRIVERS; **NOTE: STATIC WHITE WITH DOWNLIGHT ONLY**



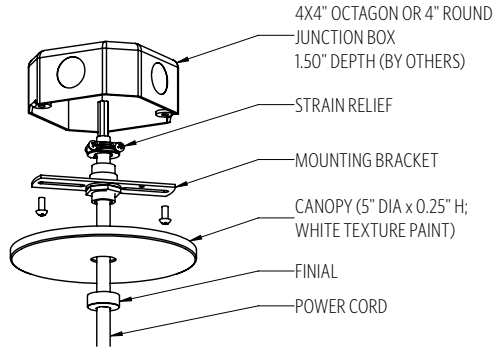
**MOUNTING INFORMATION**

**WITH DOWNLIGHT**

| LUMINAIRE SIZE | LUMINAIRE WEIGHT | MIN/MAX OAH |
|----------------|------------------|-------------|
| <b>TUBIE 3</b> |                  |             |
| 12"            | 3 LBS            | 26"/162"    |
| 24"            | 4 LBS            | 38"/174"    |
| 36"            | 5 LBS            | 50"/186"    |
| 48"            | 6 LBS            | 62"/198"    |
| 60"            | 7 LBS            | 74"/210"    |
| 72"            | 8 LBS            | 86"/222"    |
| 96"            | 10 LBS           | 110"/246"   |

P1FH ships with one of three CCL's (48", 100" or 144") and is field adjustable to the desired height.

**P1FJ** PENDANT WITH 5" FLAT CANOPY, SINGLE WHITE POWER CORD; MOUNTS TO 4X4 OCTAGON J-BOX (BY OTHERS); REMOTE DRIVER ENCLOSURE; **NOTE: STATIC WHITE, TUNABLE WHITE, OR RGBW**

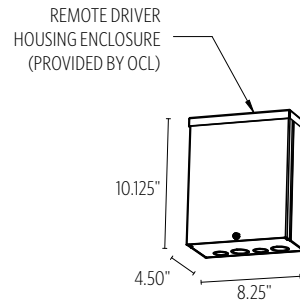


**MOUNTING INFORMATION CHART**

|                | NO DOWNLIGHT   |                  |             | WITH DOWNLIGHT   |             |
|----------------|----------------|------------------|-------------|------------------|-------------|
|                | LUMINAIRE SIZE | LUMINAIRE WEIGHT | MIN/MAX OAH | LUMINAIRE WEIGHT | MIN/MAX OAH |
| <b>TUBIE 3</b> | 12             | 2 LBS            | 21\"/>      |                  |             |

P1FJ ships with one of three CCL's (48\", 100\"/>

P1FJ will include ETL listed enclosure for remote mounting drivers. Max 30' distance from luminaire for **DM1, DM8, and DALI**. Enclosure must remain accessible after installation. For **RGBW** remote box distance, contact factory



**DIFFUSER**

**FINISH**

**ACRYLIC FINISHES:**



**TEXTURED POWDER COAT FINISHES:**



**RAL<sup>®</sup>, Pantone<sup>®</sup> or custom finishes are also available.**

These colors are for reference only. Please be aware that colors may vary per monitor. Contact your local rep for finish samples or with any questions.

| LUMENS AND WATTAGE CHART |                  | TUBIE 3" |      |      |      |      |      |      |
|--------------------------|------------------|----------|------|------|------|------|------|------|
|                          |                  | 12       | 24   | 36   | 48   | 60   | 72   | 96   |
| <b>LED1</b>              | LUMENS DELIVERED | 730      | 1240 | 1650 | 2200 | 2750 | 3300 | 4690 |
|                          | SYSTEM WATTAGE   | 6        | 9    | 12   | 16   | 20   | 24   | 32   |
| <b>LED2</b>              | LUMENS DELIVERED | 1100     | 2200 | 3300 | 4400 | 5500 | 6600 | 8800 |
|                          | SYSTEM WATTAGE   | 9        | 16   | 24   | 32   | 40   | 48   | 61   |
| <b>TWH1</b>              | LUMENS DELIVERED | 730      | 1240 | 1650 | 2200 | 2750 | 3300 | 4690 |
|                          | SYSTEM WATTAGE   | 6        | 9    | 12   | 16   | 20   | 24   | 32   |
| <b>RGBW</b>              | LUMENS DELIVERED | -        | -    | -    | -    | -    | -    | -    |
|                          | SYSTEM WATTAGE   | 9        | 16   | 24   | 32   | 40   | 48   | 61   |

| STANDARD COLOR TEMPERATURE OPTIONS | CRI |
|------------------------------------|-----|
| 2700K                              | 80+ |
| 3000K                              | 80+ |
| 3500K                              | 80+ |
| 4000K                              | 80+ |
| TUNABLE WHITE                      | 90+ |
| RGBW                               | N/A |

| ZONE   | TB5 LUMENS | % OF LUMINAIRE |
|--------|------------|----------------|
| 0-30   | 88         | 2%             |
| 0-60   | 836        | 19%            |
| 0-90   | 2244       | 51%            |
| 90-180 | 2156       | 49%            |
| 0-180  | 4400       | 100%           |

**DOWNLIGHT OPTION**

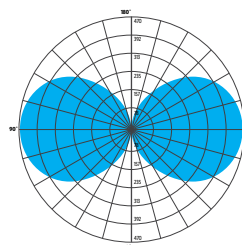
| DOWNLIGHT LUMENS AND WATTAGE CHART |                  | NF   | WF   |
|------------------------------------|------------------|------|------|
|                                    |                  |      |      |
| <b>LED1</b>                        | LUMENS DELIVERED | 1525 | 1495 |
|                                    | SYSTEM WATTAGE   | 15   | 15   |

This chart was created for a 35K color temp. Multiply by 0.95 for 27k color temp, 0.97 for 30k color temp, and 1.03 for 40k color temp. Wattage and lumen data for **TWH1** and **RGBW** approx. pending LM-79 testing.

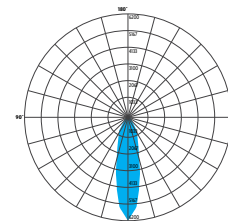
**PHOTOMETRY:**

LUMINAIRE: TBX-P1CB-48-MW-WTP-LED2\_35K-ND-UNV-48-DM1  
 COLOR TEMP #: 3500K  
 EFFICACY: 140 LM/W  
 TEST REPORT: TEST NO. 20864.0

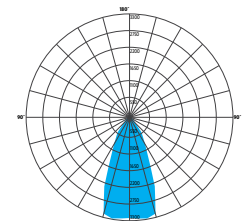
For all available IES files, please visit our website at ocl.com.



**BODY**

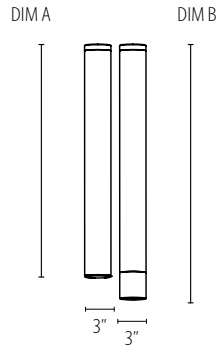


**NARROW FLOOD (NF)**



**WIDE FLOOD (WF)**

## SIZES



**TB3**

|           | BODY HEIGHT           |                            |
|-----------|-----------------------|----------------------------|
|           | TUBIE 3"              |                            |
|           | DIM A<br>NO DOWNLIGHT | DIM B<br>WITH<br>DOWNLIGHT |
| <b>12</b> | 14.4"                 | 16.9"                      |
| <b>24</b> | 26.4"                 | 28.9"                      |
| <b>36</b> | 38.4"                 | 40.9"                      |
| <b>48</b> | 50.4"                 | 52.9"                      |
| <b>60</b> | 62.4"                 | 64.9"                      |
| <b>72</b> | 74.4"                 | 76.9"                      |
| <b>96</b> | 98.4"                 | 100.9"                     |

## CONTROL

### DM1 0-10V DIMMING 1%

- 0-10V DIMMING PROTOCOL
- 1% MINIMUM DIM LEVEL
- ELECTRONIC DRIVER
- POWER FACTOR >0.9
- THD <20%
- MINIMUM AMBIENT OPERATING TEMPERATURE -31°F
- LINEAR DIMMING CURVE
- FIELD REPLACEABLE

### DALI DALI CONTROL SYSTEM, DIMMABLE 0.1%

- DALI-2 DEVICE TYPE 6 CONTROL PROTOCOL
- 0.1% MINIMUM DIM LEVEL
- ELECTRONIC DRIVER
- POWER FACTOR >0.9
- THD <20%
- MINIMUM AMBIENT OPERATING TEMPERATURE -4°F
- LOGARITHMIC DIMMING CURVE [DEFAULT]
- FIELD REPLACEABLE

### DMX DMX CONTROL DIMMABLE TO 0.1%

- DMX 512A/RDM DIMMING PROTOCOL
- 0.1% MINIMUM DIM LEVEL
- ELECTRONIC DRIVER
- POWER FACTOR >0.9
- THD <20%
- MINIMUM AMBIENT OPERATING TEMPERATURE -4°F
- LOGARITHMIC DIMMING CURVE [DEFAULT]
- FIELD REPLACEABLE

### DM8 DUAL 0-10V DIMMING 0.1%

- 0-10V DIMMING PROTOCOL
- 0.1% MINIMUM DIM LEVEL
- ELECTRONIC DRIVER
- POWER FACTOR >0.9
- THD <20%
- MINIMUM AMBIENT OPERATING TEMPERATURE -4°F
- LOGARITHMIC DIMMING CURVE [DEFAULT]
- FIELD REPLACEABLE

## OPTIONS

### ULD DAMP LABEL LUMINAIRE

- MAY BE USED IN AN OUTDOOR AREA THAT IS PROTECTED FROM DIRECT CONTACT WITH WIND, RAIN, SNOW OR EXCESSIVE MOISTURE

### MOD MODIFIED LUMINAIRE

- LUMINAIRE IS MODIFIED FROM STANDARD OPTIONS; CONTACT LOCAL REP FOR MORE INFORMATION

## SPECIFICATIONS

### CONSTRUCTION

- LED MOUNTING CHANNEL EXTRUDED ALUMINUM
- DIFFUSER IS EXTRUDED FROSTED ACRYLIC
- BODY TOP/BOTTOM CAPS ARE DIE-CAST ALUMINUM
- CANOPY IS SPUN ALUMINUM
- HARDWARE IS ZINC PLATED OR STAINLESS STEEL

### MOUNTING

- ALL MOUNT TO 4X4" OCTAGON OR 4" ROUND J-BOX (BY OTHER)

### ELECTRICAL

- DIMMING ELECTRONIC DRIVER(S), COMES STANDARD
- WITH 0-10V DOWN TO 1% [STATIC WHITE]
- OCL PROPRIETARY LED ARRAYS USE NICHIA 757 DIODES [BODY LIGHT]
- BRIDGELUX V13 GEN 7 COB 80CRI [DOWNLIGHT]
- **FOR INTEGRAL DRIVERS:** LUMINAIRE CONNECTS TO BUILDING SUPPLY (120V-277V 50/60HZ)
- **FOR REMOTE DRIVERS:** LUMINAIRE WIRE LEADS ARE LOW-VOLTAGE. THE WIRES SHOULD BE CONNECTED TO OCL PROVIDED REMOTE DRIVER ENCLOSURE ONLY!

### LISTING

- ETL LISTED TO UL 1598 FOR DRY LOCATIONS, DAMP LOCATION LISTED IS OPTION

### WARRANTY

- 5 YEAR; ALL ELECTRICAL COMPONENTS RETAIN THE MANUFACTURER'S WARRANTY

### SUSTAINABILITY

- THIS PRODUCT MEETS THE MATERIAL RESTRICTIONS OF ARTICLE 4 OF THE **ROHS** DIRECTIVE (2011/65/EU), INCLUDING COMMISSION DELEGATED DIRECTIVE 2015/863

The drawings and specifications and ideas, designs and arrangements represented on these drawings are and shall remain the property of The Original Cast Lighting (OCL Architectural Lighting) and no part thereof shall be copied, disclosed, to others or used in conjunction with any work or project other than the specified project for which they have been prepared and developed, without written consent of OCL. Visual contact with these plans or specifications shall constitute conclusive evidence of acceptance of these restrictions. All specifications and information subject to change without notice.