

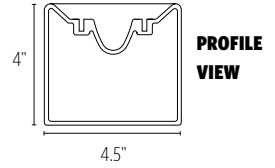
# Glowring™ Acoustic

## PENDANT



### FEATURES

- 0.36" (9MM) ACOUSTIC PANEL MITIGATES SOUND REVERBERATION
- UNIQUE ETCHED PANEL DESIGN HIDES SEAM IN LARGER SIZES
- SEAMLESS ONE-PIECE MOLDED DIFFUSER
- FULLY ENCLOSED TOP SURFACE TO MINIMIZE ACCUMULATION OF DUST AND DEBRIS
- AVAILABLE WITH METAL TRIM ON INNER DIAMETER OR OUTER DIAMETER
- FIELD REPLACEABLE LEDS AND DRIVERS
- 3 STEP LED BINNING



### CATALOG CODES

A	B	C	MW	E	f	UNV	H	I	J
SERIES	HANGING SYSTEM	SIZE	DIFFUSER	FINISH	LIGHT SOURCE	VOLTAGE	OAH	CONTROL	OPTIONS

SPECIFY CATALOG CODE										
A	B	C		D	E					
SERIES	HANGING SYSTEM	SIZE		DIFFUSER	FINISH					
 GL1 GLOWRING	<b>PIEM</b> PENDANT WITH VERTICAL AIRCRAFT CABLES TO SEPARATE MOUNTING POINTS AND POWER CORD TO CANOPY (REMOTE DRIVER)	<b>FLAT ACOUSTIC PANEL</b>	<b>ETCHED ACOUSTIC PANEL</b>	<b>MW</b> MATTE WHITE	<b>POWDER COAT FINISHES</b>					
	<b>PIDA</b> PENDANT WITH VERTICAL AIRCRAFT CABLES TO SEPARATE MOUNTING POINTS AND POWER CORD TO CANOPY WITH INTEGRAL DRIVER				<b>BKP</b> BLACK	<b>MWP</b> MATTE WHITE	<b>BMP</b> BRASS METALLIC	<b>SGP</b> STEEL GRAY	<b>BNP</b> BRONZE	<b>SMP</b> SILVER METALLIC
	<b>PIEC</b> PENDANT WITH ANGLED AIRCRAFT CABLES AND POWER CORD TO CANOPY (REMOTE DRIVER)				<b>BTP</b> BLACK TEXTURED	<b>SWP</b> SKY WHITE	<b>GRP</b> GRAPHITE	<b>WTP</b> WHITE TEXTURED	<b>GLP</b> GOLDTASTIC	<b>NFA</b> NO FINISH AVAILABLE (GL1 WITH PIEM ONLY)
 GL2 GLOWRING OUTER TRIM	<b>PIDB</b> PENDANT WITH ANGLED AIRCRAFT CABLES AND POWER CORD TO CANOPY WITH INTEGRAL DRIVER	<b>BAL</b> BRUSHED ALUMINUM	<b>DM1</b> 0-10V DIMMING 1% <b>DM3</b> LUTRON HI-LUME ECOSYSTEM 1% (LDE1)	<b>MOD</b> MODIFIED LUMINAIRE (CONTACT LOCAL REP)	<b>BIOS</b> BIOS SKYBLUE™ OR BIOS SKLYBLUE™ DYNAMIC LIGHT ENGINE**					
 GL3 GLOWRING INNER TRIM				<b>ACUSTIC COLORS</b>	<b>ACUSTIC COLORS</b>					
					<b>PBK</b> PURE BLACK	<b>HZW</b> HAZELWOOD	<b>CRT</b> CARROT	<b>CHG</b> CHARCOAL	<b>CFB</b> CORNFLOWER BLUE	<b>DWT</b> DEEPWATER
					<b>SLT</b> SLATE	<b>DNB</b> DENIM BLUE	<b>PNA</b> PINEAPPLE	<b>SDG</b> SHADOW GRAY	<b>BRD</b> BRICK RED	<b>LMS</b> LIMESTONE
					<b>PIC</b> PEARL ICE	<b>MNB</b> MIDNIGHT BLUE	<b>EMG</b> EMERALD GREEN	<b>CWH</b> CLASSIC WHITE	<b>DPP</b> DEEP PURPLE	<b>CNM</b> CINNAMON
					<b>SLG</b> SILVER GRAY	<b>BRY</b> BERRY	<b>BLS</b> BLUSH	<b>NTL</b> NATURAL LINEN	<b>CHR</b> CHERRY RED	<b>SFM</b> SEAFOAM
					<b>NOTE:</b> Flat and Etched acoustic available up to 48" as single panel with no seam. Etched acoustic available in 60" or 72" panels as two panels with center seam hidden within etched pattern and additional bracketry hardware finished as specified (shown below).					

SAMPLE CODE: GL1-PIEM-36-MW-NFA-LED1/35K-UNV-48-DM1-PBK

### MODS, NOTES, & COMMENTS

\*For Minimum OAH, see hanging systems details. Fixture will ship with one of three standard OAH's (48", 100" or 144") field adjustable to the desired height.

\*\*Contact factory for BIOS SkyBlue® or BIOS SkyBlue® Dynamic light engine and control options.

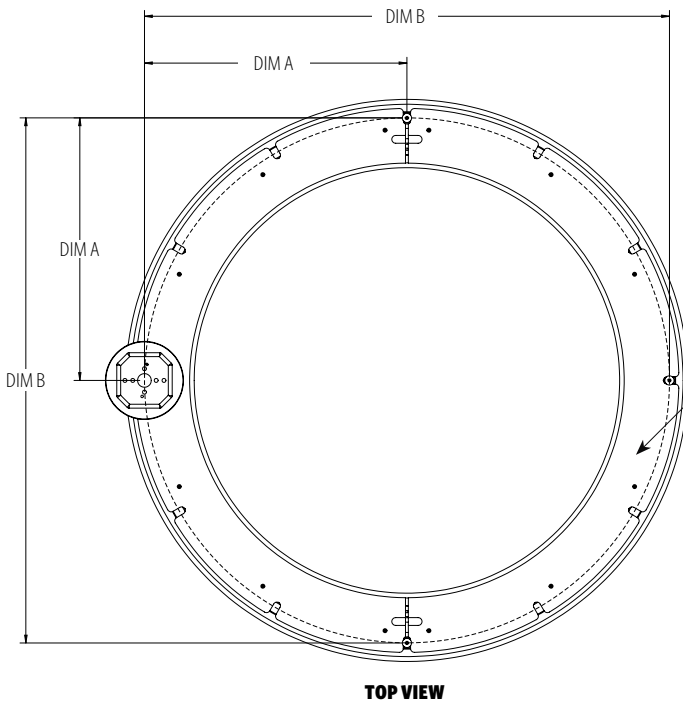
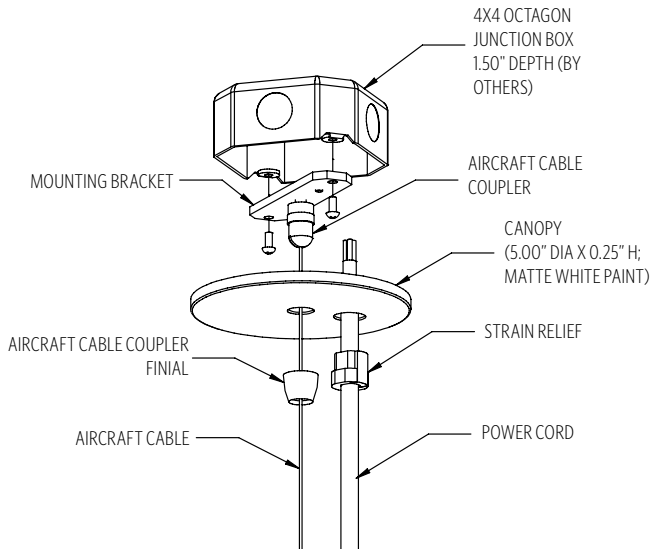
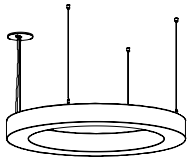
Fixtures with PIEM hanging system, canopy will be MWP unless specified.

Fixtures with PIDA, PIEC and PIDB hanging system, canopy will match finish choice.

Power cord white unless specified.

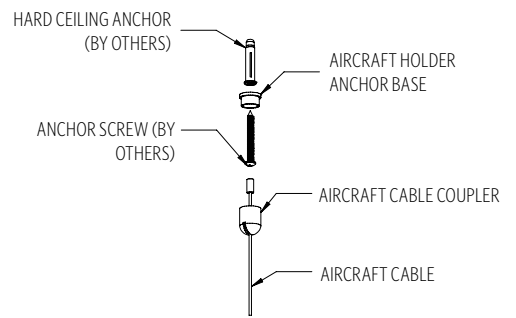
# HANGING SYSTEM

**P1EM** PENDANT WITH VERTICAL AIRCRAFT CABLES TO SEPARATE MOUNTING POINTS AND POWER CORD TO CANOPY (REMOTE DRIVERS)

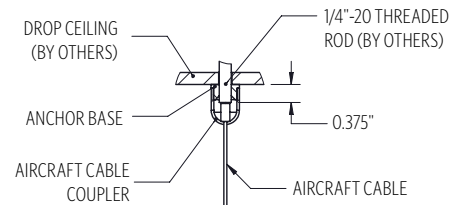


MOUNTING INFORMATION CHART					
LUMINAIRE DIAMETER	LUMINAIRE WEIGHT	MOUNTING DISTANCE DIM A	MOUNTING CIRCLE DIM B	MOUNTING POINTS	MIN/MAX OAH
24"	23 LBS	10.67"	21.34"	4	12/144"
36"	31 LBS	16.67"	33.34"	4	12/144"
48"	41 LBS	22.67"	45.34"	4	12/144"
60"	51 LBS	28.67"	57.34"	4	12/144"
72"	62 LBS	34.67"	69.34"	4	12/144"

P1EM ships with one of three OAH's (48", 100" or 144") and is field adjustable to the desired height. 60" & 72" require structural mounting for the junction box for fixtures over 50 lbs. P1EM will include ETL listed enclosure for remote mounting drivers. Max 30' distance from luminaire for DM1 and 10' max remote distance for DM3. Enclosure must remain accessible after installation.



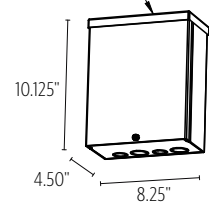
**HARD CEILING**



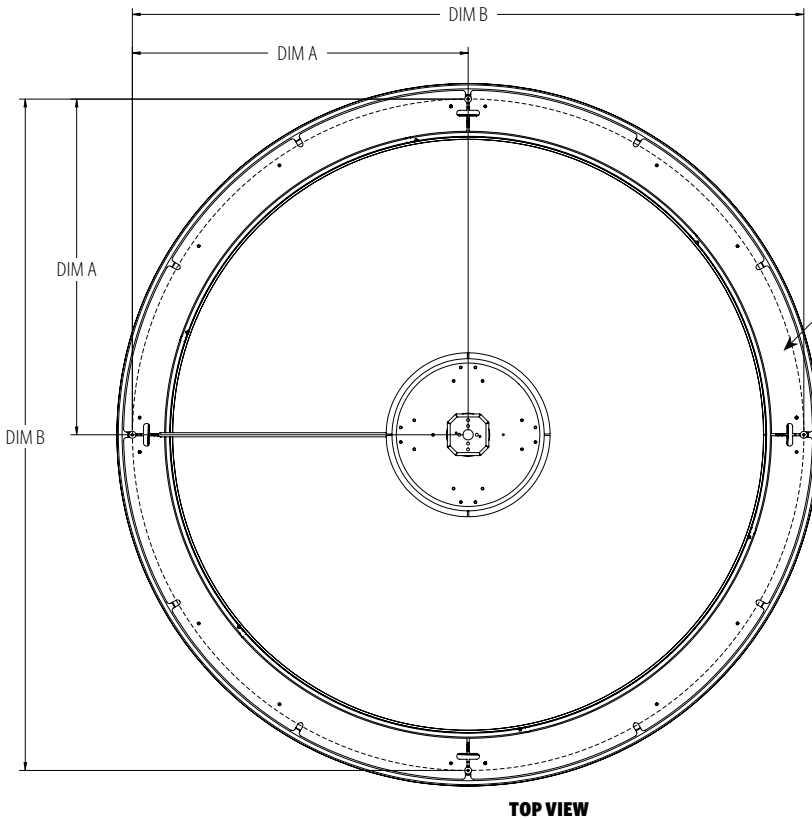
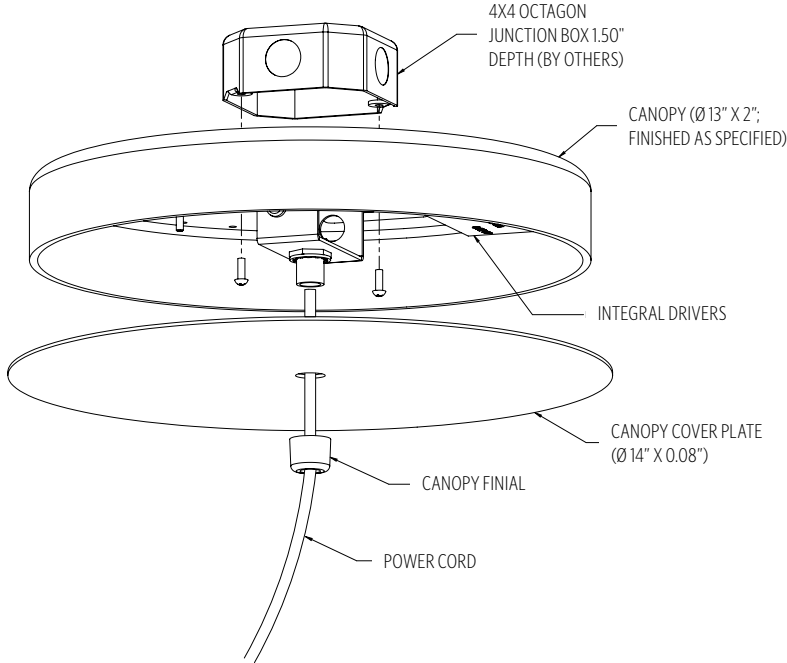
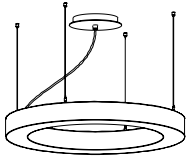
**DROP CEILING**

ALUMINUM TOP COVER (MATTE WHITE PAINT)

REMOTE DRIVER HOUSING ENCLOSURE (PROVIDED BY OCL)



**PIDA** PENDANT WITH VERTICAL AIRCRAFT CABLES TO SEPARATE MOUNTING POINTS AND POWER CORD TO CANOPY WITH INTEGRAL DRIVER

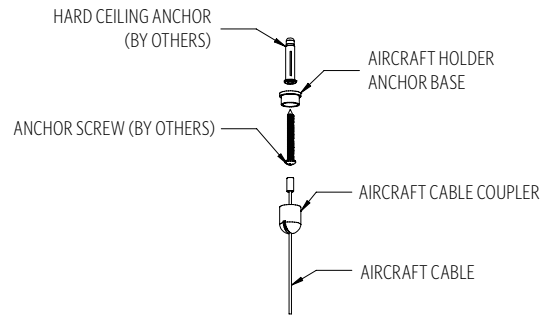


**MOUNTING INFORMATION CHART**

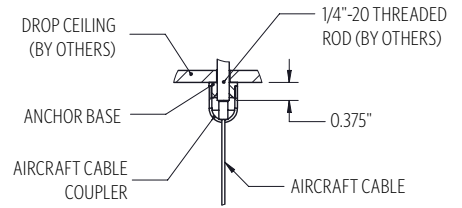
LUMINAIRE DIAMETER	LUMINAIRE WEIGHT	MOUNTING DISTANCE DIM A	MOUNTING CIRCLE DIM B	MOUNTING POINTS	MIN/MAX OAH
24"	23 LBS	10.67"	21.34"	4	12/144"
36"	31 LBS	16.67"	33.34"	4	12/144"
48"	41 LBS	22.67"	45.34"	4	12/144"
60"	51 LBS	28.67"	57.34"	4	12/144"
72"	62 LBS	34.67"	69.34"	4	12/144"

PIDA ships with one of three OAH's (48", 100" or 144") and is field adjustable to the desired height.

60" & 72" require structural mounting for the junction box for fixtures over 50 lbs.



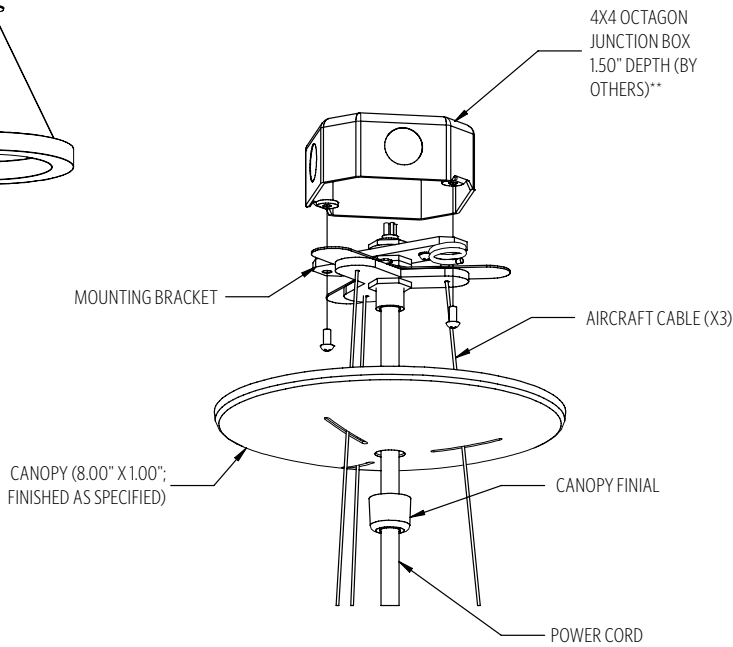
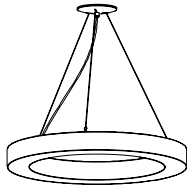
**HARD CEILING**



**DROP CEILING**

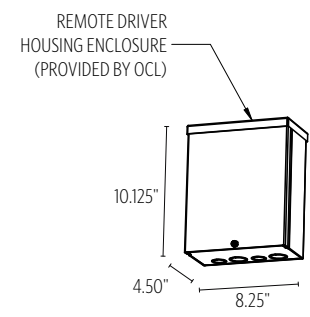
ALUMINUM TOP COVER (MATTE WHITE PAINT)

**PIEC** PENDANT WITH 3 ANGLED AIRCRAFT CABLES AND A POWER CORD TO CANOPY (REMOTE DRIVERS)

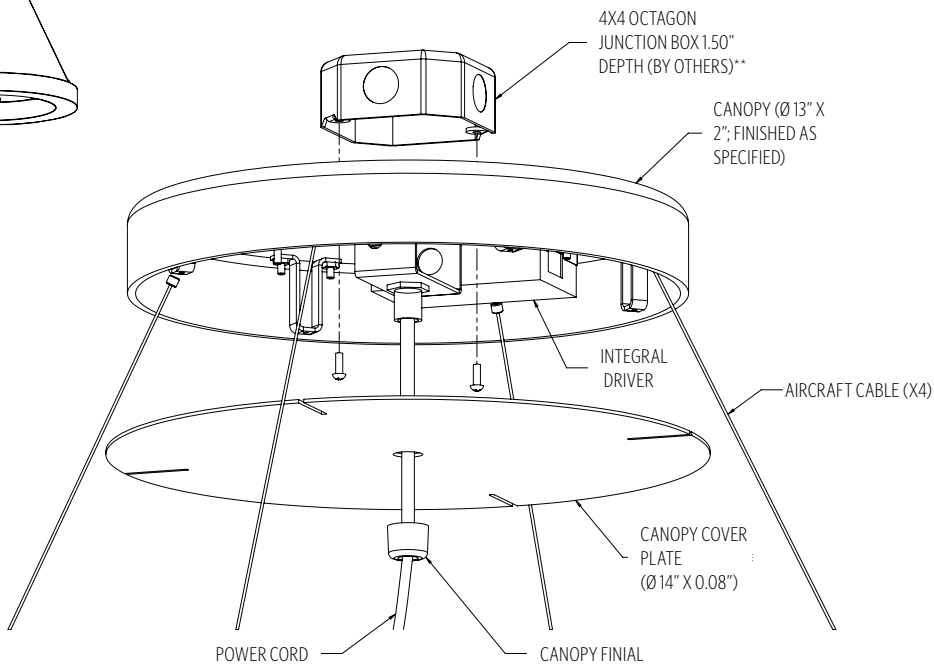
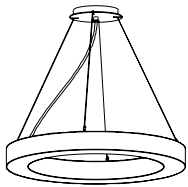


MOUNTING INFORMATION CHART			
LUMINAIRE DIAMETER	LUMINAIRE WEIGHT	MOUNTING POINTS	MIN/MAX OAH
24"	23 LBS	1	24/144"
36"	31 LBS	1	24/144"
48"	41 LBS	1	30/144"
60"	50 LBS	1	36/144"
72"	58 LBS	1	36/144"

PIEC ships with one of three OAH's (48", 100" or 144") and is field adjustable to the desired height.  
 60" & 72" require structural mounting for the junction box for fixtures over 50 lbs.  
 PIEC will include ETL listed enclosure for remote mounting drivers. Max 30' distance from luminaire for DM1 and 10' max remote distance for DM3. Enclosure must remain accessible after installation.



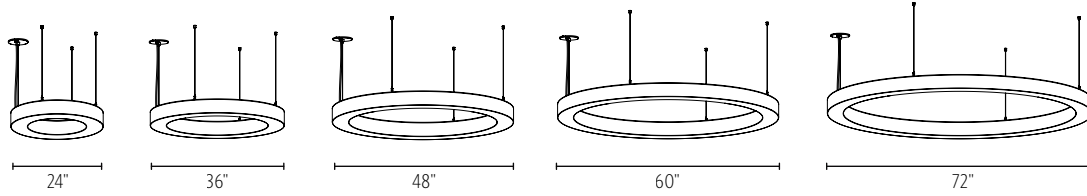
**P1DB** PENDANT WITH ANGLED AIRCRAFT CABLES AND POWER CORD TO CANOPY WITH INTEGRAL DRIVER



MOUNTING INFORMATION CHART			
LUMINAIRE DIAMETER	LUMINAIRE WEIGHT	MOUNTING POINTS	MIN/MAX OAH
24"	23 LBS	1	24/144"
36"	31 LBS	1	24/144"
48"	41 LBS	1	30/144"
60"	50 LBS	1	36/144"
72"	58 LBS	1	36/144"

P1DB ships with one of three OAH's (48", 100" or 144") and is field adjustable to the desired height.  
 60" & 72" require structural mounting for the junction box for fixtures over 50 lbs.

## SIZES



## DIFFUSER

### ACRYLIC FINISHES:



**MW**  
MATTE  
WHITE

### METALLIC POWDER COAT FINISHES:



**SMP**  
SILVER



**GRP**  
GRAPHITE



**SGP**  
STEEL GRAY



**GLP**  
GOLDTASTIC



**BMP**  
BRASS



**BNP**  
BRONZE

### PREMIUM METAL FINISHES:



**BAL**  
BRUSHED  
ALUMINUM

### SOLID POWDER COAT FINISHES:



**SWP**  
SKY WHITE



**MWP**  
MATTE  
WHITE



**BKP**  
BLACK

### TEXTURED POWDER COAT FINISHES:



**BTP**  
BLACK  
TEXTURED



**WTP**  
WHITE  
TEXTURED

**RAL®, Pantone® or custom finishes are also available.**

These colors are for reference only. Please be aware that colors may vary per monitor. Contact your local rep for finish samples or with any questions.

## ACOUSTIC

### ACOUSTIC COLORS:



**PBK**  
PURE BLACK



**CHG**  
CHARCOAL



**SLT**  
SLATE



**SDG**  
SHADOW  
GRAY



**PIC**  
PEARL ICE



**CWH**  
CLASSIC  
WHITE



**SLG**  
SILVER  
GRAY



**NTL**  
NATURAL  
LINEN



**HZW**  
HAZELWOOD



**CFB**  
CORNFLOWER  
BLUE



**DMB**  
DENIM BLUE



**BRD**  
BRICK RED



**MNB**  
MIDNIGHT  
BLUE



**DPP**  
DEEP  
PURPLE



**BRY**  
BERRY



**CHR**  
CHERRY  
RED



**CRT**  
CARROT



**DWT**  
DEEPWATER



**PNA**  
PINEAPPLE



**LMS**  
LIMESTONE



**EMG**  
EMERALD  
GREEN



**CNM**  
CINNAMON



**BLS**  
BLUSH



**SFM**  
SEAFOAM

### ABOUT OUR ACOUSTIC PANELS

Flat and Etched acoustic available up to 48" as single panel with no seam. Etched acoustic available in 60" or 72" panels as two panels with center seam hidden within etched pattern and additional bracketry hardware finished as specified (shown below).

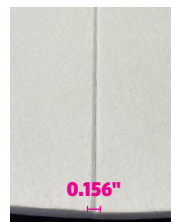
**NOTE:** Visibility of seams & etching can vary by color selection.



**FLAT PANEL**



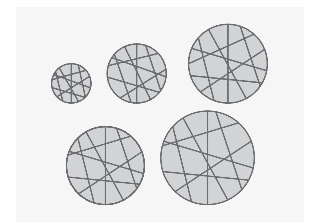
**ETCHED PANEL**



**SEAM DETAIL**



**HARDWARE DETAIL  
(60" & 72" ONLY)**



**PATTERN DETAIL**

## LIGHT SOURCE

### LUMENS AND WATTAGE CHART

		24	36	48	60	72
<b>LED1</b>	LUMENS DELIVERED	3675	5775	7875	9975	12075
	SYSTEM WATTAGE	35	55	75	95	115
<b>LED2</b>	LUMENS DELIVERED	5115	7905	10695	13485	16275
	SYSTEM WATTAGE	55	85	115	145	175

STANDARD COLOR TEMPERATURE OPTIONS	CRI (RA)	
2700K	80+	90+
3000K	80+	90+
3500K	80+	90+
4000K	80+	90+

### LUMEN MAINTENANCE

REPORTED:	L70 AT >60,000 HRS
CALCULATED:	L70 AT 182,000 HRS
REPORTED:	L90 AT 53,000 HRS
CALCULATED:	L90 AT 53,000 HRS

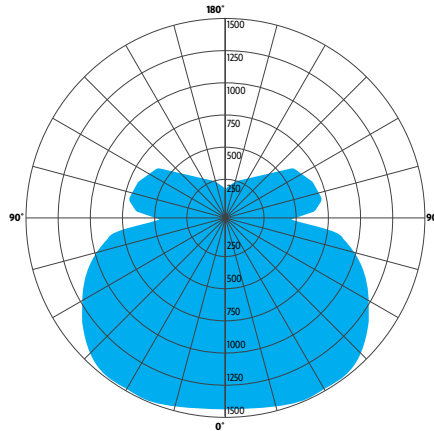
Derived from EPA TM-21 calculator. Based on typical conditions. Consult the factory for additional details.

This chart was created for a 35K color temp. Multiply by 0.95 for 27k color temp, 0.97 for 30k color temp, and 1.03 for 40k color temp. Lumens delivered shown for GL1 only. GL2, GL3, and acoustic option will have approx. 30% reduction.

Values shown for 80+ CRI. For 90+ CRI lumens use 0.85 multiplier.

### PHOTOMETRY:

LUMINAIRE:	GL1-XXXX-48-MW-PTD-LED2/35K-UNV-XS
COLOR TEMP #:	3500K
OUTPUT:	10695
EFFICACY:	105 LM/W
TEST REPORT:	TEST NO. 19440.0



ZONE	LUMENS	% OF LUMINAIRE
0-30	1220	11%
0-60	4370	41%
0-90	7258	68%
90-180	3441	32%

Polar graph and zonal lumens shown for GL1 (GL2, GL3, and acoustic option pending).

For all available IES files, please visit our website at [ocl.com](http://ocl.com).

## CONTROL

### DM1 0-10V DIMMING 1%

- 0-10V DIMMING
- 1% MINIMUM DIM LEVEL
- ELECTRONIC DRIVER
- POWER FACTOR >0.9
- THD <20%
- MINIMUM AMBIENT OPERATING TEMPERATURE -22°F
- FIELD REPLACEABLE

### DM3 LUTRON HI-LUME ECOSYSTEM 1% (LDE1)

- LUTRON HI-LUME SOFT-ON, FADE-TO-BLACK 1%, ECOSYSTEM, LDE1
- ELECTRONIC DRIVER
- POWER FACTOR >0.9
- THD <20%
- MINIMUM AMBIENT OPERATING TEMPERATURE: -32°F
- FIELD REPLACEABLE

## OPTIONS

### MOD MODIFIED LUMINAIRE

- LUMINAIRE IS MODIFIED FROM STANDARD OPTIONS; CONTACT LOCAL REP FOR MORE INFORMATION

### BIOS

- **BIOS SKYBLUE™ DYNAMIC** LIGHT ENGINE IS DIMMABLE AND FEATURES A SIMPLE APPROACH TO CIRCADIAN LIGHTING CONTROLS.
- WHEN PAIRED WITH THE BIOS BIO-DIMMING MODULE, IT OPERATES USING ANY SINGLE CHANNEL CONSTANT CURRENT (CC) LED DRIVER AND CAN BE USED WITH ANY STANDARD DIMMING INTERFACE/PROTOCOL (0-10V, ELV, DMX, WIRELESS) AND COULD WORK WITH EXISTING TWO-CHANNEL CONTROL SYSTEMS AS WELL.
- VISIT [OCL.COM/BIOS](http://OCL.COM/BIOS) FOR MORE INFORMATION

### ACOUSTIC PANEL

- AFFIXED ACOUSTIC PANEL AIDS IN THE REDUCTION OF SOUND REFLECTIONS, REVERBERATION, AND ECHO
- ASTM E-84 CLASS A / CAN ULC S102 FLAME SPREAD: 0 | SMOKE DEVELOPMENT INDEX: 300
- 0.36" (9MM) 100% POLYESTER FIBER PANEL WITH A MINIMUM 50% POST-CONSUMER RECYCLED MATERIAL (PET)
- ACOUSTIC PERFORMANCE (ASTM C423) TEST REPORT AVAILABLE AT [OCL.COM](http://OCL.COM)
- VARIATIONS IN FIBER MIX AND COLOR MAY OCCUR. ALL PRODUCTS WILL BE SUPPLIED WITHIN COMMERCIAL TOLERANCES
- **CARE & CLEANING:** REMOVE DUST AND DEBRIS WITH A CLEAN, SOFT, LINT-FREE CLOTH OR VACUUM



## SPECIFICATIONS

### CONSTRUCTION

- DIFFUSER IS MOLDED IN ONE PIECE WITHOUT VISIBLE SEAMS OR JOINTS
- LED REFLECTOR ASSEMBLY IS ANODIZED ALUMINUM
- FIXTURE BODY HAS MATTE WHITE ALUMINUM TOP COVER
- HARDWARE IS ZINC PLATED OR STAINLESS STEEL

### ELECTRICAL

- DIMMING ELECTRONIC DRIVER(S), COMES STANDARD WITH 0-10V DOWN TO 1%
- LUTRON (LDE1) ECOSYSTEM 1% ALSO AVAILABLE
- OCL PROPRIETARY LED ARRAYS USE NICHIA 757 DIODES
- 80+ CRI = 80 RA, R9 > 0 (10-15 TYP.)
- 90+ CRI = 90 RA, R9 > 50
- **FOR INTEGRAL DRIVERS:** LUMINAIRE CONNECTS TO BUILDING SUPPLY (120V-277V 50/60HZ)
- **FOR REMOTE DRIVERS:** LUMINAIRE WIRE LEADS ARE LOW-VOLTAGE. THE WIRES SHOULD BE CONNECTED TO OCL PROVIDED REMOTE DRIVER ENCLOSURE ONLY!

### LISTING

- ETL LISTED TO UL 1598 FOR INDOOR, DRY LOCATION (DAMP LOCATION OPTIONAL)
- **WARRANTY**
- 5 YEAR; ALL ELECTRICAL COMPONENTS RETAIN THE MANUFACTURER'S WARRANTY

### BUILD AMERICA, BUY AMERICA (BABA)

- THIS PRODUCT MEETS THE GUIDELINES FOR THE BUILD AMERICA, BUY AMERICA ACT. **SOME EXCLUSIONS APPLY.** FOR MORE INFORMATION AND A FULL LIST OF ELIGIBLE SKUS, VISIT **OCL.COM/BABA**

### SUSTAINABILITY

- **DECLARE:** DECLARE IS AN INGREDIENT LABEL DISCLOSURE FOR BUILDING PRODUCTS THAT IS DESIGNED TO HELP SPECIFIERS QUICKLY IDENTIFY PRODUCTS THAT SUPPORT HUMAN AND ENVIRONMENTAL HEALTH. LEARN MORE AT **OCL.COM/DECLARE**
- THIS PRODUCT MEETS THE MATERIAL RESTRICTIONS OF ARTICLE 4 OF THE **ROHS** DIRECTIVE (2011/65/EU), INCLUDING COMMISSION DELEGATED DIRECTIVE 2015/863
- **BIOS** LIGHTING CONTRIBUTES TOWARD THE CIRCADIAN LIGHTING DESIGN FEATURE 54 UNDER THE **WELL BUILDING STANDARD™ V1** AND FEATURE L03 UNDER THE **WELL BUILDING STANDARD V2**

## DECLARE

**Final assembly location**  
Where was the product made?

**Chemical ingredients**  
What is in this product?

**Red List compliance**  
Are there Red List ingredients in this product?

**Declare.**

**Glowing, Loop  
OCL Architectural Lighting**

**Final Assembly:** St. Louis, Missouri, USA  
**Life Expectancy:** 10 Year(s)  
**End of Life Options:** Recyclable (93), Landfill (7)

**Ingredients:**  
Aluminum; Polyethylene Terephthalate; Small Electrical Component<sup>1</sup>; Brass; 1-Hexene, polymer with ethene; Steel manufacture chemicals; Steel; Iron Poly[imino(1,6-dioxo-1,6-hexanedyl)imino-1,6-hexanedyl]; Zinc; Copper; Cobalt metal powder; Octadecanamide, N,N'-1,2-ethanediybis; Stearic Acid; Benzeneamine, 4-(1-methyl-1-phenylethyl)-; N-[4-(1-methyl-1-phenylethyl)phenyl]-; Benzenepropanoic acid, 3,5-bis(1,1-dimethylethyl)-4-hydroxy-, octadecyl ester; Titanium dioxide; Nickel (Metallic); Unnamed Substance; Silicon; Tin; Organic; Chromium, metallic; Magnesium; Titanium; Water

<sup>1</sup>LBC Temp Exception RL-002 - Small Electrical Components

**Living Building Challenge Criteria:**

**I-13 Red List:**  
 LBC Red List Free      % Disclosed: 100% at 100ppm  
 LBC Red List Approved      VOC Content: Not Applicable  
 Declared

**I-10 Interior Performance:** Not Compliant  
**I-14 Responsible Sourcing:** Not Applicable

OCL-0004  
 EXP: 01 OCT 2024  
 Original Issue Date: 2023

**Third Party Verified**

© 2023 OCL. ALL RIGHTS RESERVED. FOR OCL OCL SERVICES  
 INTERNATIONAL LIVING FUTURE INSTITUTE™ living-future.org/declare

**Life expectancy + end of life options**  
How long will this product last + what do you do with it when you're done with it?

**VOC info**  
Does this product off-gas?

**DECLARE: PRODUCT TRANSPARENCY IN MANUFACTURING**

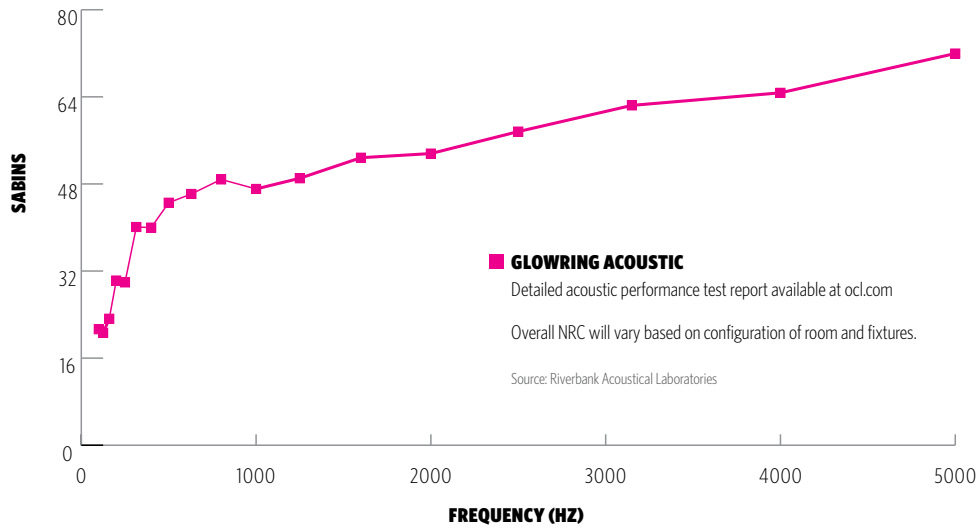
Declare is the only label that combines material transparency and the Red List. It distills complex chemical ingredient information into an easy to read label. Declare helps specifiers find Red List Free products, which are healthy for people, the environment, and communities.

A product's compliance with the LBC Red List is represented on the Declare® label by the product's Declaration Status. There are three Declaration Statuses:

- **DECLARED (RLD)** products disclose 100% of ingredients present in the final product, but contain one or more Red List chemicals that are not covered by an approved exception.
- **LBC RED LIST APPROVED (RLA)** products disclose a minimum of 99% of ingredients present in the final product and meet the LBC Red List Imperative requirements through one or more approved exceptions.
- **LBC RED LIST FREE (RLF)** products disclose 100% of ingredients present at or above 100 ppm (0.01%) in the final product and do not contain any Red List chemicals.

Need more information? Visit [oc.com/declare](https://oc.com/declare) to learn more..

**GLOWRING ACOUSTIC PERFORMANCE**



**COMMON MODIFICATIONS**

**WE'RE BUILT FOR OUT-OF-THE-BOX THINKERS.**

Nearly 50% of OCL fixtures we manufacture have some type of modification. Here is a list of common modifications we frequently produce. **Please contact the factory for modifications specific to your fixture or project.**

Need some help? Simply send your questions to us at [OCL-Quotes@ocl.com](mailto:OCL-Quotes@ocl.com)

- BIOS, TUNABLE WHITE, WARM-DIM, & RGBW LIGHT SOURCES
- SPECIFIC LUMEN OUTPUT
- MODIFIED CLUSTERS OR CONFIGURATIONS / MULTI-DROP CANOPIES
- VARIOUS SHAPES, ARCS, AND CURVES FOR LINEAR PROFILES AND RINGS
- CEILING OR SURFACE MOUNTING
- LARGE SCALE MODIFICATIONS
- RAL, PANTONE, BRAND-SPECIFIC, RETIRED OCL COLOR, OR CUSTOM FINISHES



- EMERGENCY BATTERY BACKUP OR INVERTER OPTIONS
- REMOTE DRIVERS / EXTENDED DISTANCE REMOTE DRIVERS
- DIMMING TO 0.1% (DIM TO DARK)
- NON-STANDARD SIZES OR LENGTHS
- NON-STANDARD CANOPY, BODY AND/OR CORD COLORS
- SEISMIC AND/OR ANTI-SWAY SYSTEMS
- RIGID STEMS
- MODIFIED OVERALL HEIGHTS (LONGER OR SHORTER OAH)
- UPLIGHT ADDITIONS
- LASER ETCHING, ENGRAVING, AND CUTOUTS

The drawings and specifications and ideas, designs and arrangements represented on these drawings are and shall remain the property of The Original Cast Lighting (OCL Architectural Lighting) and no part thereof shall be copied, disclosed, to others or used in conjunction with any work or project other than the specified project for which they have been prepared and developed, without written consent of OCL. Visual contact with these plans or specifications shall constitute conclusive evidence of acceptance of these restrictions. All specifications and information subject to change without notice.