

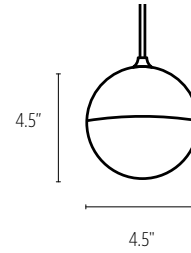


Glowball™

PENDANT

FEATURES


- AVAILABLE WITH TUNABLE WHITE AND RGBW LIGHT SOURCES
- ELEGANT & CONTEMPORARY SPHERE WITH ROBUST FROSTED SILICONE DIFFUSER
- FIXTURES CAN BE CLUSTERED TOGETHER TO CREATE LARGE SCALE INSTALLATIONS
- DIE-CAST ALUMINUM BODY
- FIELD REPLACEABLE LEDS AND DRIVERS



CATALOG CODES

| | | | | | | | | | | | | | | | | | | |
|------------|---|----------------|---|-----------|---|-----------|---|----------|---|--------------|---|------------|---|----------|---|----------|---|----------|
| GB1 | - | B | - | 04 | - | FS | - | E | - | I | - | UNV | - | H | - | I | - | J |
| SERIES | | HANGING SYSTEM | | SIZE | | DIFFUSER | | FINISH | | LIGHT SOURCE | | VOLTAGE | | OAH | | CONTROL | | OPTIONS |

SPECIFY CATALOG CODE

| A | | B | | C | D | E | |
|---|-------------|--|--|-----------|----------------------------|-------------------------------|----------------------------|
| SERIES | | HANGING SYSTEM | | SIZE | DIFFUSER | FINISH | |
|  GB1 GLOWBALL | P1CF | PENDANT WITH 5.75" SURFACE MOUNT CANOPY, SINGLE <u>SILVER</u> POWER CORD; MOUNTS TO 4X4 OCTAGON J-BOX (BY OTHERS); NOTE: STATIC WHITE MOUNTING ONLY | | 04 | FS FROSTED SILICONE | POWDER COAT FINISHES | |
| | P1FE | PENDANT WITH 6" FLAT CANOPY, SINGLE <u>SILVER</u> POWER CORD; MOUNTS TO OCL RECESSED J-BOX (PROVIDED BY OCL); NOTE: STATIC WHITE MOUNTING ONLY | | | | BKP BLACK | MWP MATTE WHITE |
| | P1HA | PENDANT WITH 8" SURFACE MOUNT CANOPY, SINGLE <u>SILVER</u> POWER CORD; MOUNTS TO 4X4 OCTAGON J-BOX (BY OTHERS); NOTE: TUNABLE WHITE OR RGBW MOUNTING ONLY | | | | BMP BRASS METALLIC | SGP STEEL GRAY |
| | P1JA | PENDANT WITH 5" FLAT CANOPY, SINGLE <u>SILVER</u> POWER CORD; MOUNTS TO 4X4 OCTAGON J-BOX (BY OTHERS); REMOTE DRIVER ENCLOSURE | | | | BNP BRONZE | SMP SILVER METALLIC |
| | | | | | | BTP BLACK TEXTURED | SWP SKY WHITE |
| | | | | | | GRP GRAPHITE | WTP WHITE TEXTURED |
| | | | | | | GLP GOLDTASTIC | |
| | | | | | | PREMIUM METAL FINISHES | |
| | | | | | | BAL BRUSHED ALUMINUM | |

| F | | G | H | I | | J |
|----------------------------------|---|--------------------|---------------------------------------|-------------|---|---|
| LIGHT SOURCE | | VOLTAGE | OAH* | CONTROL | | OPTIONS |
| LED OUTPUT LED1 | COLOR TEMP 27K 30K 35K 40K | UNV 120-277 | 48 100 144 | DM1 | 0-10V DIMMING 1% | ULD UL DAMP LABEL MOD MODIFIED LUMINAIRE (CONTACT LOCAL REP) |
| TWH1 | TUNABLE WHITE 2700K - 5000K CRI 90+; R9 50+ | | | DM8 | DUAL 0-10V DIMMING 0.1% NOTE: REQUIRES P1HA OR P1JA HANGING SYSTEM | |
| RGBW | RGBW | | | DALI | DALI TYPE 8 CONTROL SYSTEM, DIMMABLE TO 0.1% NOTE: REQUIRES P1HA OR P1JA HANGING SYSTEM | |
| | | | | DMX | DMX CONTROL; DIMMABLE TO 0.1% NOTE: REQUIRES P1HA OR P1JA HANGING SYSTEM | |

SAMPLE CODE: GB1-P1CF-04-FS-BTP-LED1/35K-UNV-44-DM1

* For Minimum OAH, see hanging systems details. Fixture will ship with one of three standard OAH's (48", 100" or 144") field adjustable to the desired height.

MODS, NOTES, & COMMENTS

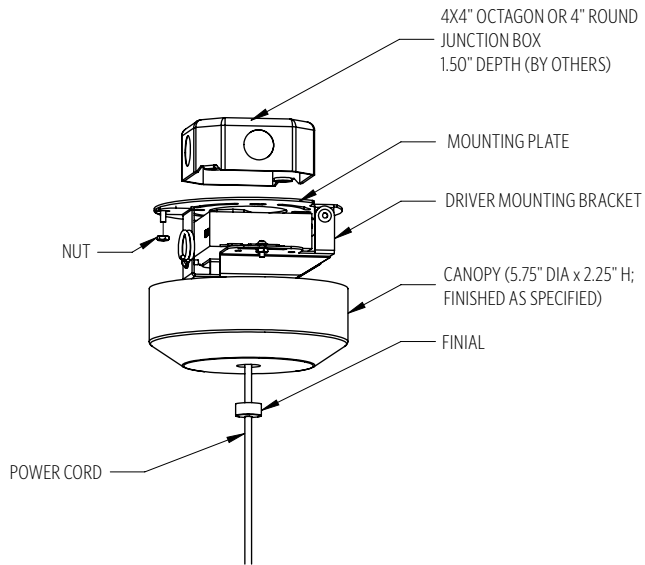
UP TO **79** LM/W

| | | 04 |
|-------------|------------------|-----------|
| LED1 | LUMENS DELIVERED | 635 |
| | SYSTEM WATTAGE | 8 |
| TWH1 | LUMENS DELIVERED | 635 |
| | SYSTEM WATTAGE | 8 |

This chart was created for a 35K color temp. Multiply by 0.95 for 27k color temp, 0.97 for 30k color temp, and 1.03 for 40k color temp. Wattage and lumen data for **TWH1** approx. pending LM-79 testing; contact factory for **RGBW**

HANGING SYSTEM

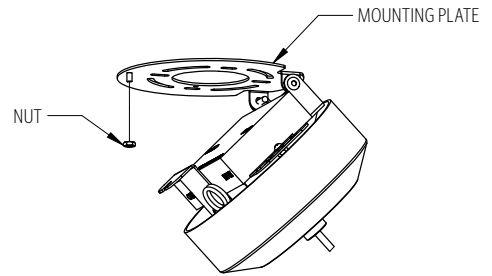
PICF PENDANT WITH 5.75" SURFACE MOUNT CANOPY, SINGLE **SILVER** POWER CORD; MOUNTS TO 4X4 OCTAGON J-BOX (BY OTHERS);
NOTE: STATIC WHITE MOUNTING ONLY



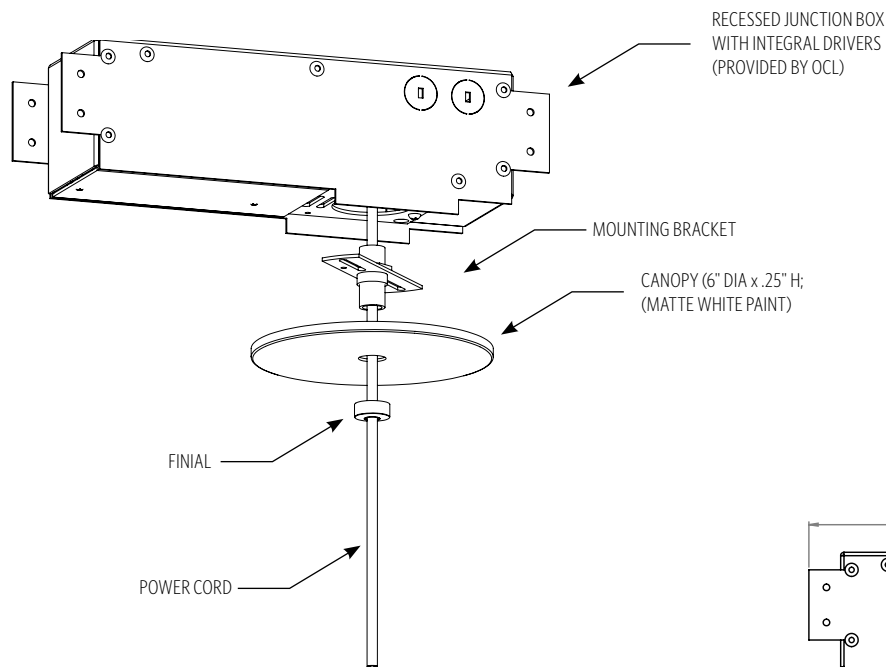
MOUNTING INFORMATION CHART

| FIXTURE DIA. | FIXTURE WEIGHT | MIN/MAX OAH |
|--------------|----------------|-------------|
| 04 | 3 LBS | 10"/144" |

PICF ships with one of three OAH's (48", 100" or 144") and is field adjustable to the desired height.



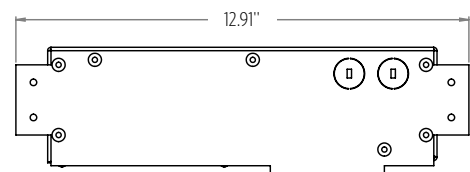
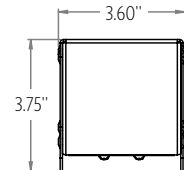
PIFE PENDANT WITH 6" FLAT CANOPY, SINGLE **SILVER** POWER CORD; MOUNTS TO OCL RECESSED J-BOX (PROVIDED BY OCL);
NOTE: STATIC WHITE MOUNTING ONLY



MOUNTING INFORMATION CHART

| FIXTURE DIA. | FIXTURE WEIGHT | MIN/MAX OAH |
|--------------|----------------|-------------|
| 04 | 3 LBS | 10"/144" |

PIFE ships with one of three OAH's (48", 100" or 144") and is field adjustable to the desired height.



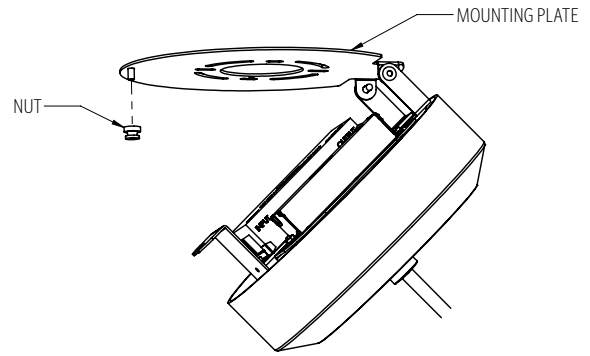
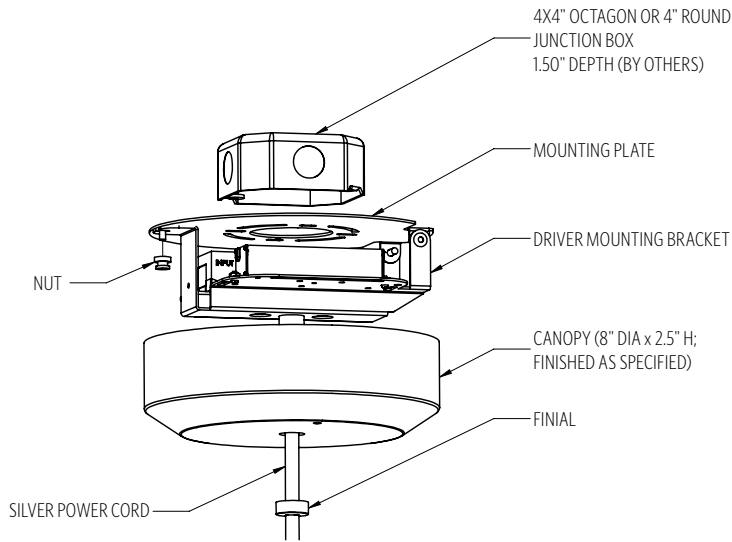
PROFILE VIEW
RECESSED JUNCTION BOX

PIHA PENDANT WITH 8" SURFACE MOUNT CANOPY, SINGLE **SILVER** POWER CORD; MOUNTS TO 4X4 OCTAGON J-BOX (BY OTHERS);
NOTE: TUNABLE WHITE OR RGBW MOUNTING ONLY

MOUNTING INFORMATION CHART

| FIXTURE DIA. | FIXTURE WEIGHT | MIN/MAX OAH |
|--------------|----------------|-------------|
| 04 | 3 LBS | 10"/144" |

PIHA ships with one of three OAH's (48", 100" or 144") and is field adjustable to the desired height.



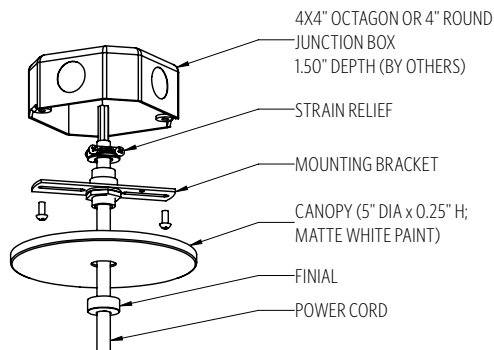
P1JA PENDANT WITH 5" FLAT CANOPY, SINGLE **SILVER** POWER CORD; MOUNTS TO 4X4 OCTAGON J-BOX (BY OTHERS); REMOTE DRIVER ENCLOSURE

MOUNTING INFORMATION CHART

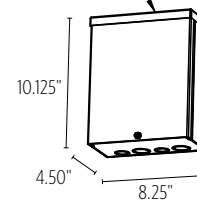
| FIXTURE DIA. | FIXTURE WEIGHT | MIN/MAX OAH |
|--------------|----------------|-------------|
| 04 | 3 LBS | 10"/144" |

P1JA ships with one of three OAH's (48", 100" or 144") and is field adjustable to the desired height.

P1JA will include ETL listed enclosure for remote mounting drivers. Max 30' distance from luminaire for **DM1, DM8, DALI** and **DMX**. Enclosure must remain accessible after installation.



REMOTE DRIVER HOUSING ENCLOSURE (PROVIDED BY OCL)



DIFFUSER

FINISH

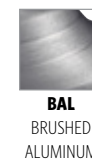
FINISHES:



METALLIC POWDER COAT FINISHES:



PREMIUM METAL FINISHES:



SOLID POWDER COAT FINISHES:



TEXTURED POWDER COAT FINISHES:



RAL, Pantone or custom finishes are also available.

These colors are for reference only. Please be aware that colors may vary per monitor. Contact your local rep for finish samples or with any questions.

LIGHT SOURCE

| | | 04 |
|------|------------------|-----|
| LED1 | LUMENS DELIVERED | 635 |
| | SYSTEM WATTAGE | 8 |
| TWH1 | LUMENS DELIVERED | 635 |
| | SYSTEM WATTAGE | 8 |

This chart was created for a 35K color temp. Multiply by 0.95 for 27k color temp, 0.97 for 30k color temp, and 1.03 for 40k color temp. Wattage and lumen data for **TWH1** approx. pending LM-79 testing; contact factory for **RGBW**

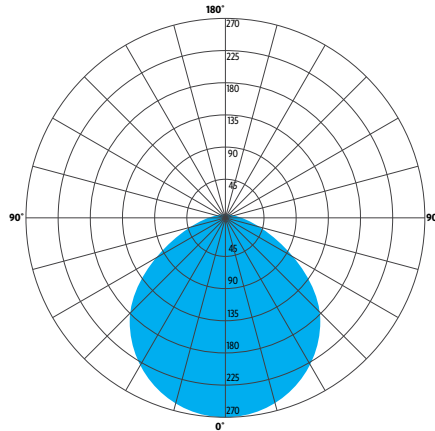
| STANDARD COLOR TEMPERATURE OPTIONS | CRI |
|------------------------------------|-----|
| 2700K | 80+ |
| 3000K | 80+ |
| 3500K | 80+ |
| 4000K | 80+ |
| TWH1 | 90+ |
| RGBW | N/A |

| ZONE | LUMENS | % OF LUMINAIRE |
|--------|--------|----------------|
| 0-30 | 165 | 26% |
| 0-60 | 485 | 76% |
| 0-90 | 610 | 96% |
| 90-180 | 25 | 4% |
| 0-180 | 635 | 100% |

PHOTOMETRY:

LUMINAIRE: GBI-PICF-04-FS-WTP-LED1_35K-UNV-36-DM1
 COLOR TEMP #: 3500K
 EFFICACY: 79 LM/W
 TEST REPORT: TEST NO. 20859.0

For all available IES files, please visit our website at ocl.com.



CONTROL

DM1 0-10V DIMMING 1%

- 0-10V DIMMING PROTOCOL
- 1% MINIMUM DIM LEVEL
- ELECTRONIC DRIVER
- POWER FACTOR >0.9
- THD <20%
- MINIMUM AMBIENT OPERATING TEMPERATURE -31°F
- LINEAR DIMMING CURVE
- FIELD REPLACEABLE

DMX DMX CONTROL DIMMABLE TO 0.1%

- DMX/RDM DIMMING PROTOCOL
- 0.1% MINIMUM DIM LEVEL
- ELECTRONIC DRIVER
- POWER FACTOR >0.9
- THD <20%
- MINIMUM AMBIENT OPERATING TEMPERATURE -4°F
- LOGARITHMIC DIMMING CURVE [DEFAULT]
- FIELD REPLACEABLE

DM8 DUAL 0-10V DIMMING 0.1%

- 0-10V DIMMING PROTOCOL
- 0.1% MINIMUM DIM LEVEL
- ELECTRONIC DRIVER
- POWER FACTOR >0.9
- THD <20%
- MINIMUM AMBIENT OPERATING TEMPERATURE -4°F
- LOGARITHMIC DIMMING CURVE [DEFAULT]
- FIELD REPLACEABLE

DALI DALI CONTROL SYSTEM, DIMMABLE 0.1%

- DALI-2 DEVICE TYPE 6 CONTROL PROTOCOL
- 0.1% MINIMUM DIM LEVEL
- ELECTRONIC DRIVER
- POWER FACTOR >0.9
- THD <20%
- MINIMUM AMBIENT OPERATING TEMPERATURE -4°F
- LOGARITHMIC DIMMING CURVE [DEFAULT]
- FIELD REPLACEABLE

OPTIONS

ULD DAMP LABEL LUMINAIRE

- MAY BE USED IN AN OUTDOOR AREA THAT IS PROTECTED FROM DIRECT CONTACT WITH WIND, RAIN, SNOW OR EXCESSIVE MOISTURE

MOD MODIFIED LUMINAIRE

- LUMINAIRE IS MODIFIED FROM STANDARD OPTIONS; CONTACT LOCAL REP FOR MORE INFORMATION

SPECIFICATIONS

CONSTRUCTION

- HOUSING IS DIE-CAST ALUMINUM
- DIFFUSER IS FROSTED SILICONE
- CANOPY IS SPUN ALUMINUM
- HARDWARE IS ZINC PLATED OR STAINLESS STEEL

MOUNTING

- **P1CF, P1HA** AND **P1JA** MOUNT TO 4X4" OCTAGON OR 4" ROUND J-BOX (BY OTHER)
- **P1FE** MOUNTS TO OCL PROPRIETARY RECESSED J-BOX WITH INTEGRAL DRIVER (PROVIDED BY OCL)

ELECTRICAL

- DIMMING ELECTRONIC DRIVER(S), COMES STANDARD
- WITH 0-10V DOWN TO 1% [STATIC WHITE]
- BRIDGELUX VERO 10 GEN 6 COB
- **FOR INTEGRAL DRIVERS:** LUMINAIRE CONNECTS TO BUILDING SUPPLY (120V-277V 50/60HZ)
- **FOR REMOTE DRIVERS:** LUMINAIRE WIRE LEADS ARE LOW-VOLTAGE. THE WIRES SHOULD BE CONNECTED TO OCL PROVIDED REMOTE DRIVER ENCLOSURE ONLY!

LISTING

- ETL LISTED TO UL 1598 FOR DRY LOCATIONS; DAMP LOCATION LISTED IS OPTION

WARRANTY

- 5 YEAR; ALL ELECTRICAL COMPONENTS RETAIN THE MANUFACTURER'S WARRANTY

The drawings and specifications and ideas, designs and arrangements represented on these drawings are and shall remain the property of The Original Cast Lighting (OCL Architectural Lighting) and no part thereof shall be copied, disclosed, to others or used in conjunction with any work or project other than the specified project for which they have been prepared and developed, without written consent of OCL. Visual contact with these plans or specifications shall constitute conclusive evidence of acceptance of these restrictions. All specifications and information subject to change without notice.