

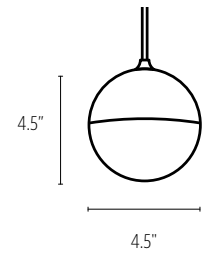


Glowball™

PENDANT


FEATURES

- AVAILABLE WITH TUNABLE WHITE AND RGBW LIGHT SOURCES
- ELEGANT & CONTEMPORARY SPHERE WITH ROBUST FROSTED SILICONE DIFFUSER
- FIXTURES CAN BE CLUSTERED TOGETHER TO CREATE LARGE SCALE INSTALLATIONS
- DIE-CAST ALUMINUM BODY
- FIELD REPLACEABLE LEDS AND DRIVERS
- AVAILABLE IN 80+ CRI AND 90+ CRI (R9>50)



CATALOG CODES

GB1	-	B	-	04	-	FS	-	E	-	I	-	UNV	-	H	-	I	-	J
SERIES		HANGING SYSTEM		SIZE		DIFFUSER		FINISH		LIGHT SOURCE		VOLTAGE		OAH		CONTROL		OPTIONS

SPECIFY CATALOG CODE		A	B	C	D	E	
		SERIES	HANGING SYSTEM	SIZE	DIFFUSER	STANDARD FINISHES	PREMIUM FINISHES
 <p>GB1 GLOWBALL</p>	P1CF	PENDANT WITH 5.75" SURFACE MOUNT CANOPY; SINGLE SILVER POWER CORD; MOUNTS TO 4X4 OCTAGON J-BOX (BY OTHERS); NOTE: STATIC WHITE MOUNTING ONLY	04	FS FROSTED SILICONE	POWDER COAT FINISHES BKP BLACK BMP BRASS METALLIC BNP BRONZE BTP BLACK TEXTURED GRP GRAPHITE GLP GOLDTASTIC MWP MATTE WHITE SGP STEEL GRAY SMP SILVER METALLIC SWP SKY WHITE WTP WHITE TEXTURED	METAL FINISHES BAL BRUSHED ALUMINUM EVERWOODS POWDER COAT FINISHES (BODY ONLY) WPDP WHITE PINE PNDP PINE CRDP CHERRY TKDP TEAK WLDP WALNUT DLDP DARK WALNUT LWDP LIGHT BARNWOOD DWDP DARK BARNWOOD	
	P1FE	PENDANT WITH 6" FLAT CANOPY; SINGLE SILVER POWER CORD; MOUNTS TO OCL RECESSED J-BOX (PROVIDED BY OCL); NOTE: STATIC WHITE MOUNTING ONLY					
	P1HA	PENDANT WITH 8" SURFACE MOUNT CANOPY; SINGLE SILVER POWER CORD; MOUNTS TO 4X4 OCTAGON J-BOX (BY OTHERS); NOTE: TUNABLE WHITE OR RGBW MOUNTING ONLY					
	P1JA	PENDANT WITH 5" FLAT CANOPY; SINGLE SILVER POWER CORD; MOUNTS TO 4X4 OCTAGON J-BOX (BY OTHERS); REMOTE DRIVER ENCLOSURE					

F LIGHT SOURCE			G VOLTAGE	H OAH*	I CONTROL	J OPTIONS
LED1	COLOR TEMP (80+ CRI) 27K 30K 35K 40K	COLOR TEMP (90+ CRI) 927K 930K 935K 940K	UNV 120-277	48 100 144	DM1 0-10V DIMMING 1% DM8 DUAL 0-10V DIMMING 0.1% NOTE: REQUIRES P1HA OR P1JA HANGING SYSTEM DALI DALI TYPE 8 CONTROL SYSTEM, DIMMABLE TO 0.1% NOTE: REQUIRES P1HA OR P1JA HANGING SYSTEM DMX DMX CONTROL; DIMMABLE TO 0.1% NOTE: REQUIRES P1HA OR P1JA HANGING SYSTEM	ULD UL DAMP LABEL BIOS BIOS SKYBLUE™ OR BIOS SKYBLUE™ DYNAMIC LIGHT ENGINE** MOD MODIFIED LUMINAIRE (CONTACT LOCAL REP)
TWH1	TUNABLE WHITE 2700K - 5000K CRI 90+; R9 50+					
RGBW	RGBW					

SAMPLE CODE: GB1-P1CF-04-FS-BTP-LED1/35K-UNV-44-DM1

* For Minimum OAH, see hanging systems details. Fixture will ship with one of three standard OAH's (48", 100" or 144") field adjustable to the desired height.

Contact factory for BIOS SkyBlue® or BIOS SkyBlue® Dynamic light engine and control options. Fixtures with **P1JA or **P1FE** hanging system or any Everwoods finish, canopy will be **MWP** unless specified; Fixtures with **P1CF** or **P1HA** hanging system, canopy will match finish choice.

MODS, NOTES, & COMMENTS

UP TO 79 LM/W

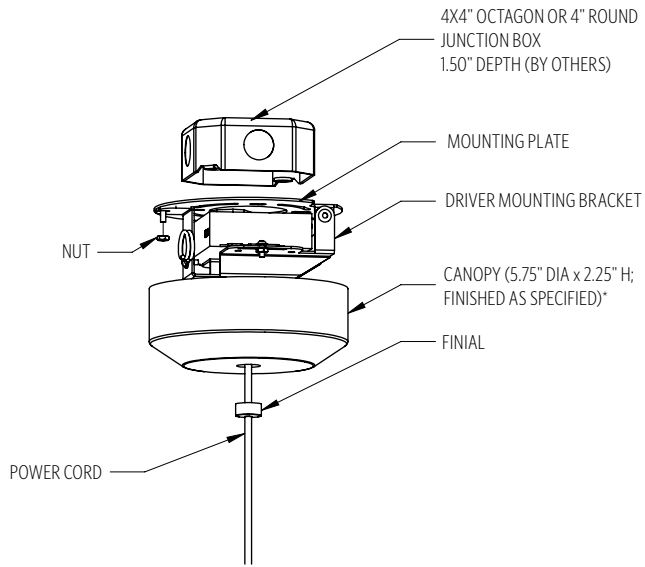
		04
LED1	LUMENS DELIVERED	635
	SYSTEM WATTAGE	8
TWH1	LUMENS DELIVERED	635
	SYSTEM WATTAGE	8

This chart was created for a 35K color temp. Multiply by 0.95 for 27k color temp, 0.97 for 30k color temp, and 1.03 for 40k color temp. Wattage and lumen data for **TWH1** approx. pending LM-79 testing; contact factory for **RGBW**.

Values shown for 80+ CRI. For 90+ CRI lumens use 0.85 multiplier.

HANGING SYSTEM

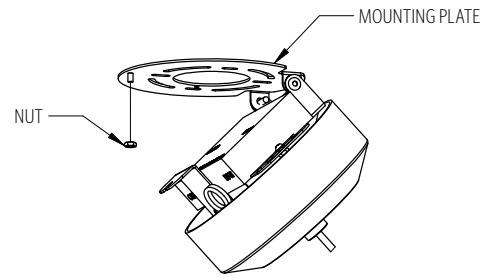
PICF PENDANT WITH 5.75" SURFACE MOUNT CANOPY, SINGLE SILVER POWER CORD; MOUNTS TO 4X4 OCTAGON J-BOX (BY OTHERS);
NOTE: STATIC WHITE MOUNTING ONLY



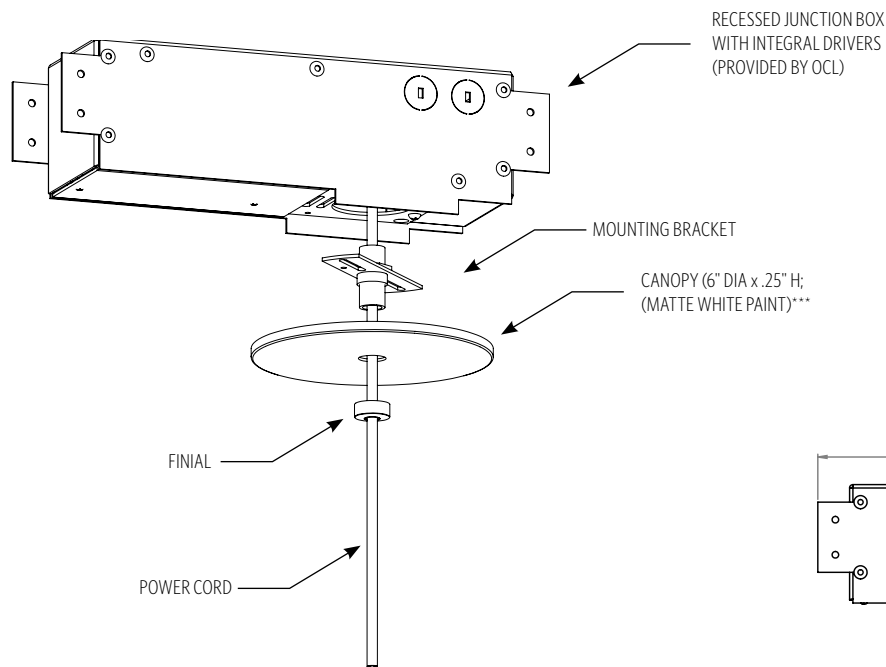
MOUNTING INFORMATION CHART

FIXTURE DIA.	FIXTURE WEIGHT	MIN/MAX OAH
04	3 LBS	10"/144"

PICF ships with one of three OAH's (48", 100" or 144") and is field adjustable to the desired height.
 ***Fixtures with **PIJA** or **PIFE** hanging system or any **Everwoods finish**, canopy will be **MWP** unless specified; Fixtures with **PICF** or **PIHA** hanging system, canopy will match finish choice.



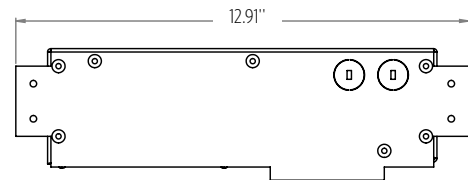
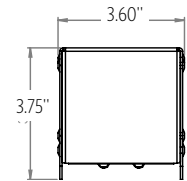
PIFE PENDANT WITH 6" FLAT CANOPY, SINGLE SILVER POWER CORD; MOUNTS TO OCL RECESSED J-BOX (PROVIDED BY OCL);
NOTE: STATIC WHITE MOUNTING ONLY



MOUNTING INFORMATION CHART

FIXTURE DIA.	FIXTURE WEIGHT	MIN/MAX OAH
04	3 LBS	10"/144"

PIFE ships with one of three OAH's (48", 100" or 144") and is field adjustable to the desired height.
 ***Fixtures with **PIJA** or **PIFE** hanging system or any **Everwoods finish**, canopy will be **MWP** unless specified; Fixtures with **PICF** or **PIHA** hanging system, canopy will match finish choice.



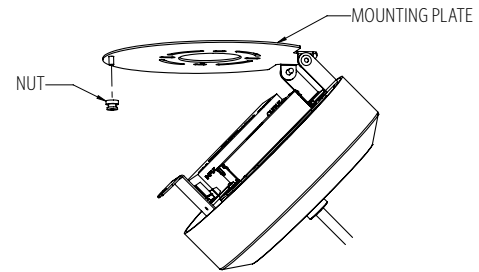
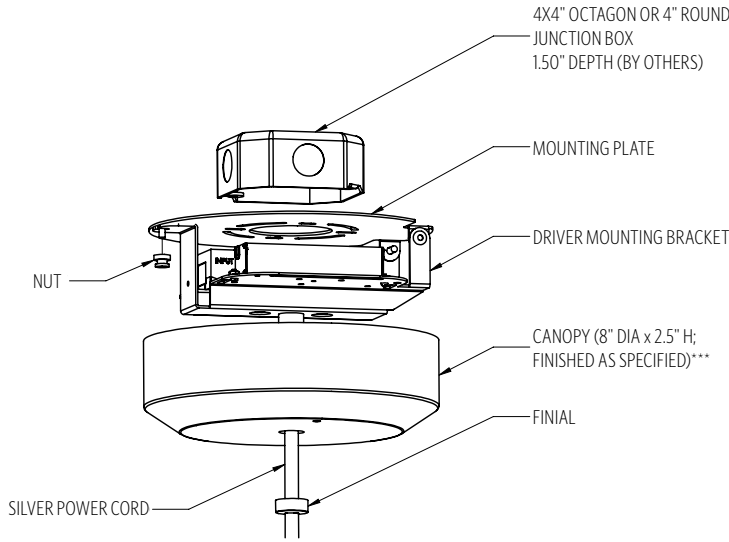
PROFILE VIEW
RECESSED JUNCTION BOX

PIHA PENDANT WITH 8" SURFACE MOUNT CANOPY, SINGLE SILVER POWER CORD; MOUNTS TO 4X4 OCTAGON J-BOX (BY OTHERS);
NOTE: TUNABLE WHITE OR RGBW MOUNTING ONLY

MOUNTING INFORMATION CHART

FIXTURE DIA.	FIXTURE WEIGHT	MIN/MAX OAH
O4	3 LBS	10"/144"

PIHA ships with one of three OAH's (48", 100" or 144") and is field adjustable to the desired height. Fixtures with **PIJA** or **PIFE** hanging system or any **Everwoods finish**, canopy will be **MWP** unless specified; Fixtures with **PICF** or **PIHA** hanging system, canopy will match finish choice.

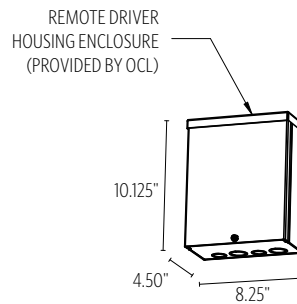
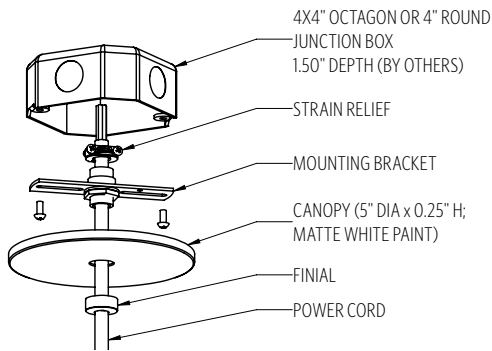


PIJA PENDANT WITH 5" FLAT CANOPY, SINGLE SILVER POWER CORD; MOUNTS TO 4X4 OCTAGON J-BOX (BY OTHERS); REMOTE DRIVER ENCLOSURE

MOUNTING INFORMATION CHART

FIXTURE DIA.	FIXTURE WEIGHT	MIN/MAX OAH
O4	3 LBS	10"/144"

PIJA ships with one of three OAH's (48", 100" or 144") and is field adjustable to the desired height. Fixtures with **PIJA** or **PIFE** hanging system or any **Everwoods finish**, canopy will be **MWP** unless specified; Fixtures with **PICF** or **PIHA** hanging system, canopy will match finish choice. PIJA will include ETL listed enclosure for remote mounting drivers. Max 30' distance from luminaire for **DM1, DM8, DALI** and **DMX**. Enclosure must remain accessible after installation.



DIFFUSER

FINISH

FINISHES:



FS FROSTED SILICONE

METALLIC POWDER COAT FINISHES:



SMP
SILVER



GRP
GRAPHITE



SGP
STEEL GRAY



GLP
GOLDTASTIC



BMP
BRASS



BNP
BRONZE

PREMIUM METAL FINISHES:



BAL
BRUSHED ALUMINUM

SOLID POWDER COAT FINISHES:



SWP
SKY WHITE



MWP
MATTE WHITE



BKP
BLACK

TEXTURED POWDER COAT FINISHES:



BTP
BLACK TEXTURED



WTP
WHITE TEXTURED

RAL, Pantone or custom finishes are also available.

These colors are for reference only. Please be aware that colors may vary per monitor. Contact your local rep for finish samples or with any questions.

EVERWOODS POWDER COAT COLLECTION:



WPDP
WHITE PINE



PNDP
PINE



CRDP
CHERRY



TKDP
TEAK



WLDP
WALNUT



DLDP
DARK WALNUT



LWDP
LIGHT BARNWOOD



DWDP
DARK BARNWOOD

LIGHT SOURCE

		04
LED1	LUMENS DELIVERED	635
	SYSTEM WATTAGE	8
TWH1	LUMENS DELIVERED	635
	SYSTEM WATTAGE	8

This chart was created for a 35K color temp. Multiply by 0.95 for 27k color temp, 0.97 for 30k color temp, and 1.03 for 40k color temp. Wattage and lumen data for **TWH1** approx. pending LM-79 testing.; contact factory for **RGBW**.

Values shown for 80+ CRI. For 90+ CRI lumens use 0.85 multiplier.

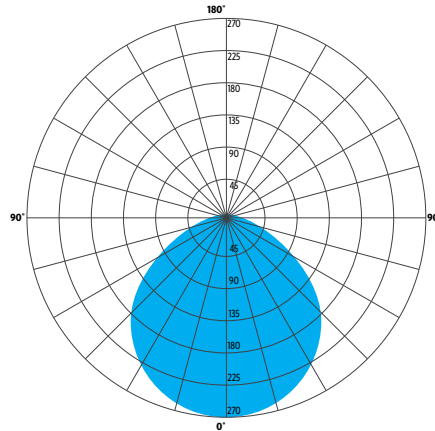
STANDARD COLOR TEMPERATURE OPTIONS	CRI (RA)	
2700K	80+	90+
3000K	80+	90+
3500K	80+	90+
4000K	80+	90+
TWH1	90+	
RGBW	N/A	

ZONE	LUMENS	% OF LUMINAIRE
0-30	165	26%
0-60	485	76%
0-90	610	96%
90-180	25	4%
0-180	635	100%

PHOTOMETRY:

LUMINAIRE: GBI-PICF-04-FS-WTP-LED1_35K-UNV-36-DM1
 COLOR TEMP #: 3500K
 EFFICACY: 79 LM/W
 TEST REPORT: TEST NO. 20859.0

For all available IES files, please visit our website at ocl.com.



CONTROL

DM1 0-10V DIMMING 1%

- 0-10V DIMMING PROTOCOL
- 1% MINIMUM DIM LEVEL
- ELECTRONIC DRIVER
- POWER FACTOR >0.9
- THD <20%
- MINIMUM AMBIENT OPERATING TEMPERATURE -31°F
- LINEAR DIMMING CURVE
- FIELD REPLACEABLE

DALI DALI CONTROL SYSTEM, DIMMABLE 0.1%

- DALI-2 DEVICE TYPE 6 CONTROL PROTOCOL
- 0.1% MINIMUM DIM LEVEL
- ELECTRONIC DRIVER
- POWER FACTOR >0.9
- THD <20%
- MINIMUM AMBIENT OPERATING TEMPERATURE -4°F
- LOGARITHMIC DIMMING CURVE [DEFAULT]
- FIELD REPLACEABLE

DMX DMX CONTROL DIMMABLE TO 0.1%

- DMX/RDM DIMMING PROTOCOL 0.1% MINIMUM DIM LEVEL
- ELECTRONIC DRIVER
- POWER FACTOR >0.9
- THD <20%
- MINIMUM AMBIENT OPERATING TEMPERATURE -4°F
- LOGARITHMIC DIMMING CURVE [DEFAULT]
- FIELD REPLACEABLE

DM8 DUAL 0-10V DIMMING 0.1%

- 0-10V DIMMING PROTOCOL
- 0.1% MINIMUM DIM LEVEL
- ELECTRONIC DRIVER
- POWER FACTOR >0.9
- THD <20%
- MINIMUM AMBIENT OPERATING TEMPERATURE -4°F
- LOGARITHMIC DIMMING CURVE [DEFAULT]
- FIELD REPLACEABLE

OPTIONS

ULD DAMP LABEL LUMINAIRE

- MAY BE USED IN AN OUTDOOR AREA THAT IS PROTECTED FROM DIRECT CONTACT WITH WIND, RAIN, SNOW OR EXCESSIVE MOISTURE

MOD MODIFIED LUMINAIRE

- LUMINAIRE IS MODIFIED FROM STANDARD OPTIONS; CONTACT LOCAL REP FOR MORE INFORMATION

BIOS

- BIOS SKYBLUE™ DYNAMIC** LIGHT ENGINE IS DIMMABLE AND FEATURES A SIMPLE APPROACH TO CIRCADIAN LIGHTING CONTROLS.
- WHEN PAIRED WITH THE BIOS BIO-DIMMING MODULE, IT OPERATES USING ANY SINGLE CHANNEL CONSTANT CURRENT (CC) LED DRIVER AND CAN BE USED WITH ANY STANDARD DIMMING INTERFACE/PROTOCOL (0-10V, ELV, DMX, WIRELESS) AND COULD WORK WITH EXISTING TWO-CHANNEL CONTROL SYSTEMS AS WELL.
- VISIT OCL.COM/BIOS FOR MORE INFORMATION

SPECIFICATIONS

CONSTRUCTION

- HOUSING IS DIE-CAST ALUMINUM
- DIFFUSER IS FROSTED SILICONE
- CANOPY IS SPUN ALUMINUM
- HARDWARE IS ZINC PLATED OR STAINLESS STEEL

MOUNTING

- **PICF, PIHA AND PIJA** MOUNT TO 4X4" OCTAGON OR 4" ROUND J-BOX (BY OTHER)
- **PIFE** MOUNTS TO OCL PROPRIETARY RECESSED J-BOX WITH INTEGRAL DRIVER (PROVIDED BY OCL)

ELECTRICAL

- DIMMING ELECTRONIC DRIVER(S), COMES STANDARD
- WITH 0-10V DOWN TO 1% [STATIC WHITE]
- BRIDGELUX COB
- 80+ CRI = 80 RA, R9 > 0 (10-15 TYP)
- 90+ CRI = 90 RA, R9 > 50
- **FOR INTEGRAL DRIVERS:** LUMINAIRE CONNECTS TO BUILDING SUPPLY (120V-277V 50/60HZ)
- **FOR REMOTE DRIVERS:** LUMINAIRE WIRE LEADS ARE LOW-VOLTAGE. THE WIRES SHOULD BE CONNECTED TO OCL PROVIDED REMOTE DRIVER ENCLOSURE ONLY. **LISTING**
- ETL LISTED TO UL 1598 FOR DRY LOCATIONS; DAMP LOCATION LISTED IS OPTION

WARRANTY

- 5 YEAR; ALL ELECTRICAL COMPONENTS RETAIN THE MANUFACTURER'S WARRANTY

SUSTAINABILITY

- **DECLARE:** DECLARE IS AN INGREDIENT LABEL DISCLOSURE FOR BUILDING PRODUCTS THAT IS DESIGNED TO HELP SPECIFIERS QUICKLY IDENTIFY PRODUCTS THAT SUPPORT HUMAN AND ENVIRONMENTAL HEALTH. LEARN MORE AT [OCL.COM/DECLARE](https://www.ocl.com/declare)
- THIS PRODUCT MEETS THE MATERIAL RESTRICTIONS OF ARTICLE 4 OF THE **ROHS** DIRECTIVE (2011/65/EU), INCLUDING COMMISSION DELEGATED DIRECTIVE 2015/863
- **BIOS** LIGHTING CONTRIBUTES TOWARD THE CIRCADIAN LIGHTING DESIGN FEATURE 54 UNDER THE **WELL BUILDING STANDARD™ V1** AND FEATURE L03 UNDER THE **WELL BUILDING STANDARD V2**

DECLARE

Final assembly location

Where was the product made?

Chemical ingredients

What is in this product?

Red List compliance

Are there Red List ingredients in this product?

Life expectancy + end of life options

How long will this product last + what do you do with it when you're done with it?

VOC Info

Does this product off-gas?

Declare.

Glowball
OCL Architectural Lighting

Final Assembly: St. Louis, Missouri, USA
Life Expectancy: 10 Year(s)
End of Life Options: Recyclable (78), Landfill (22)

Ingredients:
Small Electrical Component¹; Aluminum; Steel; Steel manufacture, chemicals; Cadmium; Quartz; Dimethicone; Siloxanes and Silicones, di-Me, reaction products with silica; Zinc; Aluminum hydroxide; Iron; Distillates (petroleum), hydrotreated heavy naphthenic; 2-Propenoic acid, 2-methyl-, methyl ester, polymer with ethyl 2-propenoate; Calcium carbonate; Trimethoxy(methyl)silane; Copper; Vinyl silicone polymer; Nickel (Metallic); Silica, [(ethyldimethylsilyloxy)- and [(trimethylsilyloxy)-modified; Nylon 6; Silicic acid (H4SiO4); tetraethyl ester, reaction products with chlorodimethylsilane; Tin; Organic Poly[(minio(1,6-dioxo-1,6-hexanediyl)imino-1,6-hexanediyl)]

¹LBC Temp Exception RL-002 - Small Electrical Components

Living Building Challenge Criteria:

I-13 Red List:
 LBC Red List Free % Disclosed: 100% at 100ppm
 LBC Red List Approved VOC Content: Not Applicable
 Declared

I-10 Interior Performance: Not Applicable
I-14 Responsible Sourcing: Not Applicable

OCL-0003
EXP: 01 OCT 2024
Original Issue Date: 2023

Third Party Verified

INTERNATIONAL LIVING FUTURE INSTITUTE™ living-future.org/declare

DECLARE: PRODUCT TRANSPARENCY IN MANUFACTURING

Declare is the only label that combines material transparency and the Red List. It distills complex chemical ingredient information into an easy to read label. Declare helps specifiers find Red List Free products, which are healthy for people, the environment, and communities.

A product's compliance with the LBC Red List is represented on the Declare® label by the product's Declaration Status. There are three Declaration Statuses:

- **DECLARED (RLD)** products disclose 100% of ingredients present in the final product, but contain one or more Red List chemicals that are not covered by an approved exception.
- **LBC RED LIST APPROVED (RLA)** products disclose a minimum of 99% of ingredients present in the final product and meet the LBC Red List Imperative requirements through one or more approved exceptions.
- **LBC RED LIST FREE (RLF)** products disclose 100% of ingredients present at or above 100 ppm (0.01%) in the final product and do not contain any Red List chemicals.

Need more information? Visit [ocl.com/declare](https://www.ocl.com/declare) to learn more.

COMMON MODIFICATIONS

WE'RE BUILT FOR OUT-OF-THE-BOX THINKERS.

Nearly 50% of OCL fixtures we manufacture have some type of modification. Here is a list of common modifications we frequently produce. **Please contact the factory for modifications specific to your fixture or project.**

Need some help? Simply send your questions to us at OCL-Quotes@ocl.com

- BIOS, TUNABLE WHITE, WARM-DIM, & RGBW LIGHT SOURCES
- SPECIFIC LUMEN OUTPUT
- MODIFIED CLUSTERS OR CONFIGURATIONS / MULTI-DROP CANOPIES
- VARIOUS SHAPES, ARCS, AND CURVES FOR LINEAR PROFILES AND RINGS
- CEILING OR SURFACE MOUNTING
- LARGE SCALE MODIFICATIONS
- RAL, PANTONE, BRAND-SPECIFIC, RETIRED OCL COLOR, OR CUSTOM FINISHES



- EMERGENCY BATTERY BACKUP OR INVERTER OPTIONS
- REMOTE DRIVERS / EXTENDED DISTANCE REMOTE DRIVERS
- DIMMING TO 0.1% (DIM TO DARK)
- NON-STANDARD SIZES OR LENGTHS
- NON-STANDARD CANOPY, BODY AND/OR CORD COLORS
- SEISMIC AND/OR ANTI-SWAY SYSTEMS
- RIGID STEMS
- MODIFIED OVERALL HEIGHTS (LONGER OR SHORTER OAH)
- UPLIGHT ADDITIONS
- LASER ETCHING, ENGRAVING, AND CUTOUTS

The drawings and specifications and ideas, designs and arrangements represented on these drawings are and shall remain the property of The Original Cast Lighting (OCL Architectural Lighting) and no part thereof shall be copied, disclosed, to others or used in conjunction with any work or project other than the specified project for which they have been prepared and developed, without written consent of OCL. Visual contact with these plans or specifications shall constitute conclusive evidence of acceptance of these restrictions. All specifications and information subject to change without notice.