

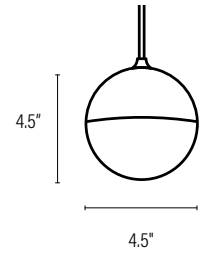


Glowball™

PENDANT

FEATURES


- AVAILABLE WITH TUNABLE WHITE AND RGBW LIGHT SOURCES
- ELEGANT & CONTEMPORARY SPHERE WITH ROBUST FROSTED SILICONE DIFFUSER
- FIXTURES CAN BE CLUSTERED TOGETHER TO CREATE LARGE SCALE INSTALLATIONS
- DIE-CAST ALUMINUM BODY
- FIELD REPLACEABLE LEDS AND DRIVERS
- AVAILABLE IN 80+ CRI AND 90+ CRI (R9>50)



CATALOG CODES

GB1	-	B	-	04	-	FS	-	E	-	F	-	UNV	-	H	-	I	-	J
SERIES		HANGING SYSTEM		SIZE		DIFFUSER		FINISH		LIGHT SOURCE		VOLTAGE		OAH		CONTROL		OPTIONS

SPECIFY CATALOG CODE

A	B	C	D	E
SERIES	HANGING SYSTEM	SIZE	DIFFUSER	FINISH
 GB1 GLOWBALL	PICF PENDANT WITH 5.75" SURFACE MOUNT CANOPY, SINGLE <u>SILVER</u> POWER CORD; MOUNTS TO 4X4 OCTAGON J-BOX (BY OTHERS); NOTE: STATIC WHITE MOUNTING ONLY	04	FS FROSTED SILICONE	POWDER COAT FINISHES BKP BLACK MWP MATTE WHITE BMP BRASS METALLIC SGP STEEL GRAY BNP BRONZE SMP SILVER METALLIC BTP BLACK TEXTURED SWP SKY WHITE GRP GRAPHITE WTP WHITE TEXTURED GLP GOLDTASTIC
	PIFE PENDANT WITH 6" FLAT CANOPY, SINGLE <u>SILVER</u> POWER CORD; MOUNTS TO OCL RECESSED J-BOX (PROVIDED BY OCL); NOTE: STATIC WHITE MOUNTING ONLY			PREMIUM METAL FINISHES BAL BRUSHED ALUMINUM
	PIHA PENDANT WITH 8" SURFACE MOUNT CANOPY, SINGLE <u>SILVER</u> POWER CORD; MOUNTS TO 4X4 OCTAGON J-BOX (BY OTHERS); NOTE: TUNABLE WHITE OR RGBW MOUNTING ONLY			
	PIJA PENDANT WITH 5" FLAT CANOPY, SINGLE <u>SILVER</u> POWER CORD; MOUNTS TO 4X4 OCTAGON J-BOX (BY OTHERS); REMOTE DRIVER ENCLOSURE			

F LIGHT SOURCE			G VOLTAGE	H OAH*	I CONTROL	J OPTIONS
LED OUTPUT LED1	COLOR TEMP (80+ CRI) 27K 30K 35K 40K	COLOR TEMP (90+ CRI) 927K 930K 935K 940K	UNV 120-277	48 100 144	DM1 0-10V DIMMING 1% DM8 DUAL 0-10V DIMMING 0.1% NOTE: REQUIRES PIHA OR PIJA HANGING SYSTEM DALI DALI TYPE 8 CONTROL SYSTEM, DIMMABLE TO 0.1% NOTE: REQUIRES PIHA OR PIJA HANGING SYSTEM DMX DMX CONTROL; DIMMABLE TO 0.1% NOTE: REQUIRES PIHA OR PIJA HANGING SYSTEM	ULD MOD UL DAMP LABEL MODIFIED LUMINAIRE (CONTACT LOCAL REP)
TWH1	TUNABLE WHITE 2700K - 5000K CRI 90+; R9 50+					
RGBW	RGBW					

SAMPLE CODE: GB1-PICF-04-FS-BTP-LED1/35K-UNV-44-DM1

* For Minimum OAH, see hanging systems details. Fixture will ship with one of three standard OAH's (48", 100" or 144") field adjustable to the desired height.

UP TO **79** LM/W

		04
LED1	LUMENS DELIVERED	635
	SYSTEM WATTAGE	8
TWH1	LUMENS DELIVERED	635
	SYSTEM WATTAGE	8

This chart was created for a 35K color temp. Multiply by 0.95 for 27k color temp, 0.97 for 30k color temp, and 1.03 for 40k color temp. Wattage and lumen data for **TWH1** approx. pending LM-79 testing.; contact factory for **RGBW**.

Values shown for 80+ CRI. For 90+ CRI lumens use 0.85 multiplier.

MODS, NOTES, & COMMENTS



This product meets the material restrictions of Article 4 of the RoHS Directive (2011/65/EU), including Commission Delegated Directive 2015/863.

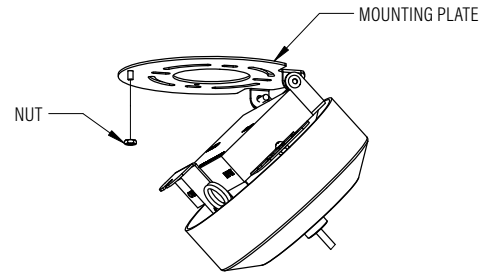
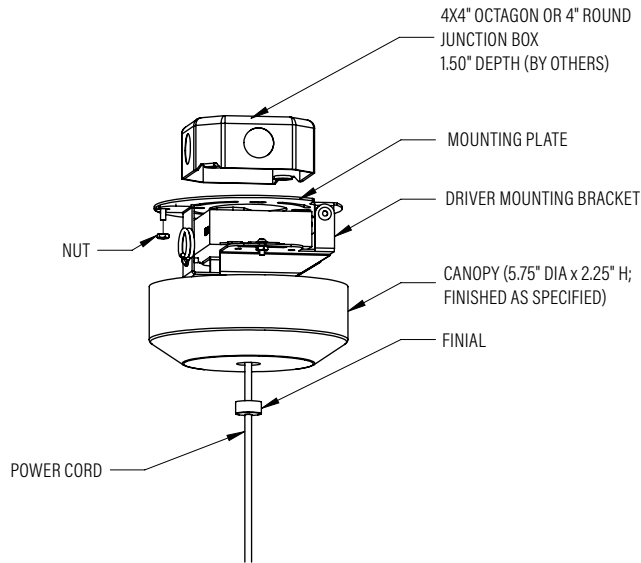
HANGING SYSTEM

PICF PENDANT WITH 5.75" SURFACE MOUNT CANOPY, SINGLE **SILVER** POWER CORD; MOUNTS TO 4X4 OCTAGON J-BOX (BY OTHERS); **NOTE:** STATIC WHITE MOUNTING ONLY

MOUNTING INFORMATION CHART

FIXTURE DIA.	FIXTURE WEIGHT	MIN/MAX OAH
04	3 LBS	10"/144"

PICF ships with one of three OAH's (48", 100" or 144") and is field adjustable to the desired height.

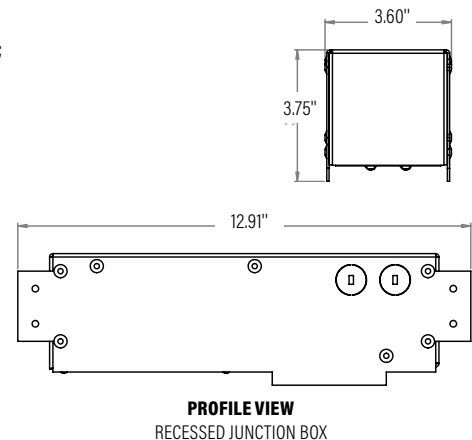
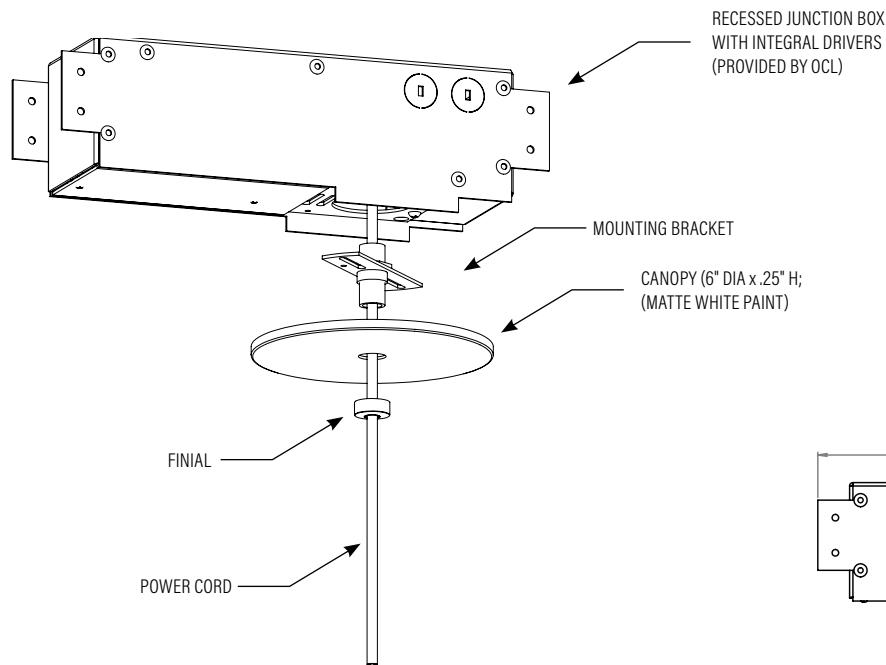


PIFE PENDANT WITH 6" FLAT CANOPY, SINGLE **SILVER** POWER CORD; MOUNTS TO OCL RECESSED J-BOX (PROVIDED BY OCL); **NOTE:** STATIC WHITE MOUNTING ONLY

MOUNTING INFORMATION CHART

FIXTURE DIA.	FIXTURE WEIGHT	MIN/MAX OAH
04	3 LBS	10"/144"

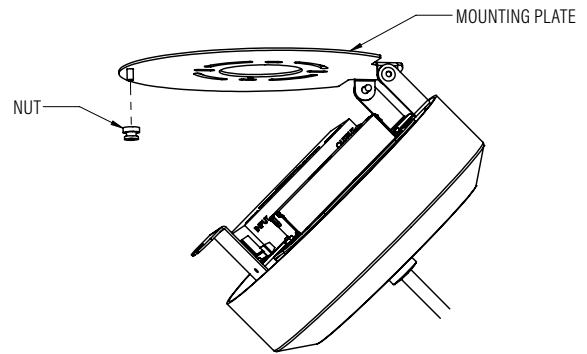
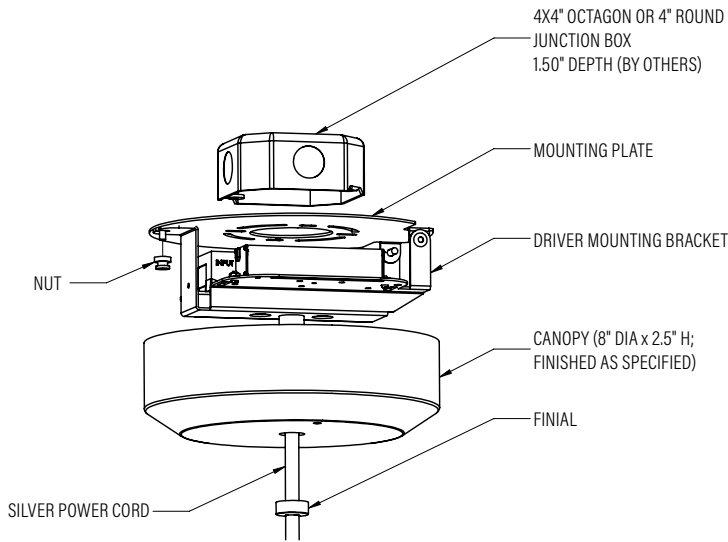
PIFE ships with one of three OAH's (48", 100" or 144") and is field adjustable to the desired height.



PIHA PENDANT WITH 8" SURFACE MOUNT CANOPY, SINGLE **SILVER** POWER CORD; MOUNTS TO 4X4 OCTAGON J-BOX (BY OTHERS);
NOTE: TUNABLE WHITE OR RGBW MOUNTING ONLY

MOUNTING INFORMATION CHART		
FIXTURE DIA.	FIXTURE WEIGHT	MIN/MAX OAH
04	3 LBS	10"/144"

PIHA ships with one of three OAH's (48", 100" or 144") and is field adjustable to the desired height.

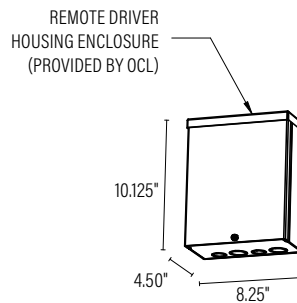
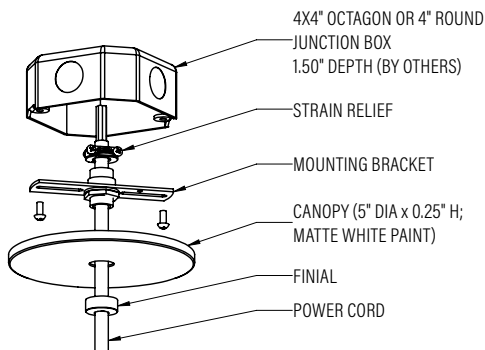


PIJA PENDANT WITH 5" FLAT CANOPY, SINGLE **SILVER** POWER CORD; MOUNTS TO 4X4 OCTAGON J-BOX (BY OTHERS); REMOTE DRIVER ENCLOSURE

MOUNTING INFORMATION CHART		
FIXTURE DIA.	FIXTURE WEIGHT	MIN/MAX OAH
04	3 LBS	10"/144"

PIJA ships with one of three OAH's (48", 100" or 144") and is field adjustable to the desired height.

PIJA will include ETL listed enclosure for remote mounting drivers. Max 30' distance from luminaire for **DM1, DM8, DALI** and **DMX**. Enclosure must remain accessible after installation.



DIFFUSER

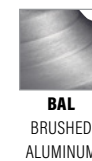
FINISHES:



METALLIC POWDER COAT FINISHES:



PREMIUM METAL FINISHES:



SOLID POWDER COAT FINISHES:



TEXTURED POWDER COAT FINISHES:



RAL, Pantone® or custom finishes are also available.

These colors are for reference only. Please be aware that colors may vary per monitor. Contact your local rep for finish samples or with any questions.

LIGHT SOURCE

		04
LED1	LUMENS DELIVERED	635
	SYSTEM WATTAGE	8
TWH1	LUMENS DELIVERED	635
	SYSTEM WATTAGE	8

This chart was created for a 35K color temp. Multiply by 0.95 for 27k color temp, 0.97 for 30k color temp, and 1.03 for 40k color temp. Wattage and lumen data for **TWH1** approx. pending LM-79 testing.; contact factory for **RGBW**.

Values shown for 80+ CRI. For 90+ CRI lumens use 0.85 multiplier.

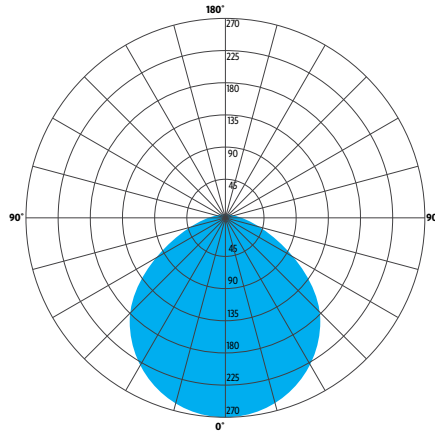
STANDARD COLOR TEMPERATURE OPTIONS	CRI (RA)	
2700K	80+	90+
3000K	80+	90+
3500K	80+	90+
4000K	80+	90+
TWH1	90+	
RGBW	N/A	

ZONE	LUMENS	% OF LUMINAIRE
0-30	165	26%
0-60	485	76%
0-90	610	96%
90-180	25	4%
0-180	635	100%

PHOTOMETRY:

LUMINAIRE: GB1-PICF-04-FS-WTP-LED1_35K-UNV-36-DM1
 COLOR TEMP #: 3500K
 EFFICACY: 79 LM/W
 TEST REPORT: TEST NO. 20859.0

For all available IES files, please visit our website at ocl.com.



CONTROL

DM1 0-10V DIMMING 1%

- 0-10V DIMMING PROTOCOL
- 1% MINIMUM DIM LEVEL
- ELECTRONIC DRIVER
- POWER FACTOR >0.9
- THD <20%
- MINIMUM AMBIENT OPERATING TEMPERATURE -31°F
- LINEAR DIMMING CURVE
- FIELD REPLACEABLE

DMX DMX CONTROL DIMMABLE TO 0.1%

- DMX/RDM DIMMING PROTOCOL
- 0.1% MINIMUM DIM LEVEL
- ELECTRONIC DRIVER
- POWER FACTOR >0.9
- THD <20%
- MINIMUM AMBIENT OPERATING TEMPERATURE -4°F
- LOGARITHMIC DIMMING CURVE [DEFAULT]
- FIELD REPLACEABLE

DM8 DUAL 0-10V DIMMING 0.1%

- 0-10V DIMMING PROTOCOL
- 0.1% MINIMUM DIM LEVEL
- ELECTRONIC DRIVER
- POWER FACTOR >0.9
- THD <20%
- MINIMUM AMBIENT OPERATING TEMPERATURE -4°F
- LOGARITHMIC DIMMING CURVE [DEFAULT]
- FIELD REPLACEABLE

DALI DALI CONTROL SYSTEM, DIMMABLE 0.1%

- DALI-2 DEVICE TYPE 6 CONTROL PROTOCOL
- 0.1% MINIMUM DIM LEVEL
- ELECTRONIC DRIVER
- POWER FACTOR >0.9
- THD <20%
- MINIMUM AMBIENT OPERATING TEMPERATURE -4°F
- LOGARITHMIC DIMMING CURVE [DEFAULT]
- FIELD REPLACEABLE

OPTIONS

ULD DAMP LABEL LUMINAIRE

- MAY BE USED IN AN OUTDOOR AREA THAT IS PROTECTED FROM DIRECT CONTACT WITH WIND, RAIN, SNOW OR EXCESSIVE MOISTURE

MOD MODIFIED LUMINAIRE

- LUMINAIRE IS MODIFIED FROM STANDARD OPTIONS; CONTACT LOCAL REP FOR MORE INFORMATION

SPECIFICATIONS

CONSTRUCTION

- HOUSING IS DIE-CAST ALUMINUM
- DIFFUSER IS FROSTED SILICONE
- CANOPY IS SPUN ALUMINUM
- HARDWARE IS ZINC PLATED OR STAINLESS STEEL

MOUNTING

- **PICF, PIHA AND PIJA** MOUNT TO 4X4" OCTAGON OR 4" ROUND J-BOX (BY OTHER)
- **PIFE** MOUNTS TO OCL PROPRIETARY RECESSED J-BOX WITH INTEGRAL DRIVER (PROVIDED BY OCL)

ELECTRICAL

- DIMMING ELECTRONIC DRIVER(S), COMES STANDARD
- WITH 0-10V DOWN TO 1% [STATIC WHITE]
- BRIDGELUX VERO 10 GEN 6 COB
- 80+ CRI = 80 RA, R9 > 0 (10-15 TYP.)
- 90+ CRI = 90 RA, R9 > 50
- **FOR INTEGRAL DRIVERS:** LUMINAIRE CONNECTS TO BUILDING SUPPLY (120V-277V 50/60HZ)
- **FOR REMOTE DRIVERS:** LUMINAIRE WIRE LEADS ARE LOW-VOLTAGE. THE WIRES SHOULD BE CONNECTED TO OCL PROVIDED REMOTE DRIVER ENCLOSURE ONLY!

LISTING

- ETL LISTED TO UL 1598 FOR DRY LOCATIONS; DAMP LOCATION LISTED IS OPTION

WARRANTY

- 5 YEAR; ALL ELECTRICAL COMPONENTS RETAIN THE MANUFACTURER'S WARRANTY

SUSTAINABILITY

- THIS PRODUCT MEETS THE MATERIAL RESTRICTIONS OF ARTICLE 4 OF THE **ROHS** DIRECTIVE (2011/65/EU), INCLUDING COMMISSION DELEGATED DIRECTIVE 2015/863

The drawings and specifications and ideas, designs and arrangements represented on these drawings are and shall remain the property of The Original Cast Lighting (OCL Architectural Lighting) and no part thereof shall be copied, disclosed, to others or used in conjunction with any work or project other than the specified project for which they have been prepared and developed, without written consent of OCL. Visual contact with these plans or specifications shall constitute conclusive evidence of acceptance of these restrictions. All specifications and information subject to change without notice.