

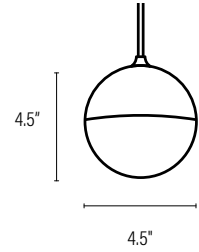


# Glowball™

PENDANT


**FEATURES**

- AVAILABLE WITH TUNABLE WHITE AND RGBW LIGHT SOURCES
- ELEGANT & CONTEMPORARY SPHERE WITH ROBUST FROSTED SILICONE DIFFUSER
- FIXTURES CAN BE CLUSTERED TOGETHER TO CREATE LARGE SCALE INSTALLATIONS
- DIE-CAST ALUMINUM BODY
- FIELD REPLACEABLE LEDS AND DRIVERS
- AVAILABLE IN 80+ CRI AND 90+ CRI (R9>50)



CATALOG CODES

<b>GB1</b>	-	<b>B</b>	-	<b>04</b>	-	<b>FS</b>	-	<b>E</b>	-	<b>F</b>	-	<b>UNV</b>	-	<b>H</b>	-	<b>I</b>	-	<b>J</b>
SERIES		HANGING SYSTEM		SIZE		DIFFUSER		FINISH		LIGHT SOURCE		VOLTAGE		OAH		CONTROL		OPTIONS

SPECIFY CATALOG CODE		A	B	C	D	E
		SERIES	HANGING SYSTEM	SIZE	DIFFUSER	FINISH
 <p><b>GB1</b> GLOWBALL</p>	<b>PICF</b>	PENDANT WITH 5.75" SURFACE MOUNT CANOPY, SINGLE <u>SILVER</u> POWER CORD; MOUNTS TO 4X4 OCTAGON J-BOX (BY OTHERS); <b>NOTE:</b> STATIC WHITE MOUNTING ONLY	<b>04</b> <b>FS</b> FROSTED SILICONE	<b>POWDER COAT FINISHES</b> <b>BKP</b> BLACK <b>BMP</b> BRASS METALLIC <b>BNP</b> BRONZE <b>BTP</b> BLACK TEXTURED <b>GRP</b> GRAPHITE <b>GLP</b> GOLDTASTIC  <b>PREMIUM METAL FINISHES</b> <b>BAL</b> BRUSHED ALUMINUM	<b>MWP</b> MATTE WHITE <b>SGP</b> STEEL GRAY <b>SMP</b> SILVER METALLIC <b>SWP</b> SKY WHITE <b>WTP</b> WHITE TEXTURED	
	<b>PIFE</b>	PENDANT WITH 6" FLAT CANOPY, SINGLE <u>SILVER</u> POWER CORD; MOUNTS TO OCL RECESSED J-BOX (PROVIDED BY OCL); <b>NOTE:</b> STATIC WHITE MOUNTING ONLY				
	<b>PIHA</b>	PENDANT WITH 8" SURFACE MOUNT CANOPY, SINGLE <u>SILVER</u> POWER CORD; MOUNTS TO 4X4 OCTAGON J-BOX (BY OTHERS); <b>NOTE:</b> TUNABLE WHITE OR RGBW MOUNTING ONLY				
	<b>PIJA</b>	PENDANT WITH 5" FLAT CANOPY, SINGLE <u>SILVER</u> POWER CORD; MOUNTS TO 4X4 OCTAGON J-BOX (BY OTHERS); REMOTE DRIVER ENCLOSURE				

F LIGHT SOURCE			G VOLTAGE	H OAH*	I CONTROL	J OPTIONS
<b>LED1</b>	<b>COLOR TEMP</b> (80+ CRI) 27K 30K 35K 40K	<b>COLOR TEMP</b> (90+ CRI) 927K 930K 935K 940K	<b>UNV</b> 120-277	<b>48</b>  <b>100</b>  <b>144</b>	<b>DM1</b> 0-10V DIMMING 1%	<b>ULD</b> UL DAMP LABEL <b>MOD</b> MODIFIED LUMINAIRE (CONTACT LOCAL REP)
<b>TWH1</b>	TUNABLE WHITE 2700K - 5000K CRI 90+; R9 50+			<b>DM8</b> DUAL 0-10V DIMMING 0.1% <b>NOTE:</b> REQUIRES <b>PIHA</b> OR <b>PIJA</b> HANGING SYSTEM		
<b>RGBW</b>	RGBW			<b>DALI</b> DALI TYPE 8 CONTROL SYSTEM, DIMMABLE TO 0.1% <b>NOTE:</b> REQUIRES <b>PIHA</b> OR <b>PIJA</b> HANGING SYSTEM		
					<b>DMX</b> DMX CONTROL; DIMMABLE TO 0.1% <b>NOTE:</b> REQUIRES <b>PIHA</b> OR <b>PIJA</b> HANGING SYSTEM	

SAMPLE CODE: GB1-PICF-04-FS-BTP-LED1/35K-UNV-44-DM1

\* For Minimum OAH, see hanging systems details. Fixture will ship with one of three standard OAH's (48", 100" or 144") field adjustable to the desired height.

UP TO **79** LM/W

		<b>04</b>
<b>LED1</b>	LUMENS DELIVERED	635
	SYSTEM WATTAGE	8
<b>TWH1</b>	LUMENS DELIVERED	635
	SYSTEM WATTAGE	8

This chart was created for a 35K color temp. Multiply by 0.95 for 27k color temp, 0.97 for 30k color temp, and 1.03 for 40k color temp. Wattage and lumen data for **TWH1** approx. pending LM-79 testing.; contact factory for **RGBW**.

Values shown for 80+ CRI. For 90+ CRI lumens use 0.85 multiplier.

**MODS, NOTES, & COMMENTS**

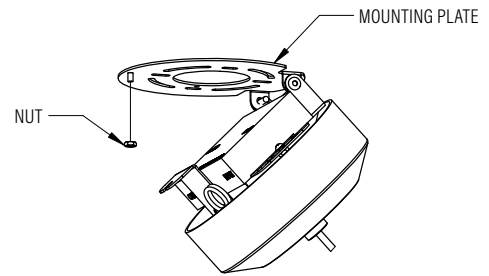
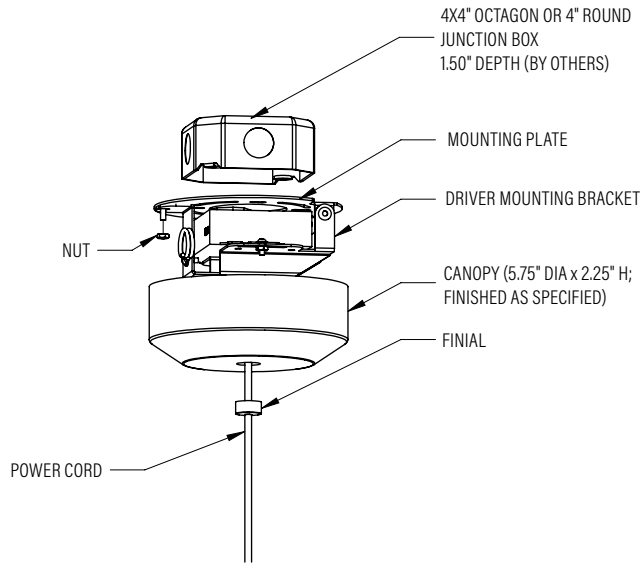
## HANGING SYSTEM

**PICF** PENDANT WITH 5.75" SURFACE MOUNT CANOPY, SINGLE **SILVER** POWER CORD; MOUNTS TO 4X4 OCTAGON J-BOX (BY OTHERS);  
**NOTE:** STATIC WHITE MOUNTING ONLY

### MOUNTING INFORMATION CHART

FIXTURE DIA.	FIXTURE WEIGHT	MIN/MAX OAH
04	3 LBS	10"/144"

PICF ships with one of three OAH's (48", 100" or 144") and is field adjustable to the desired height.

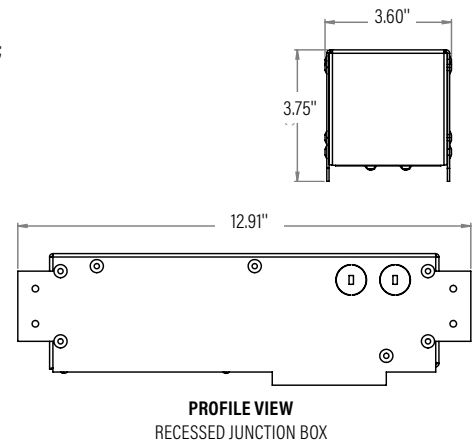
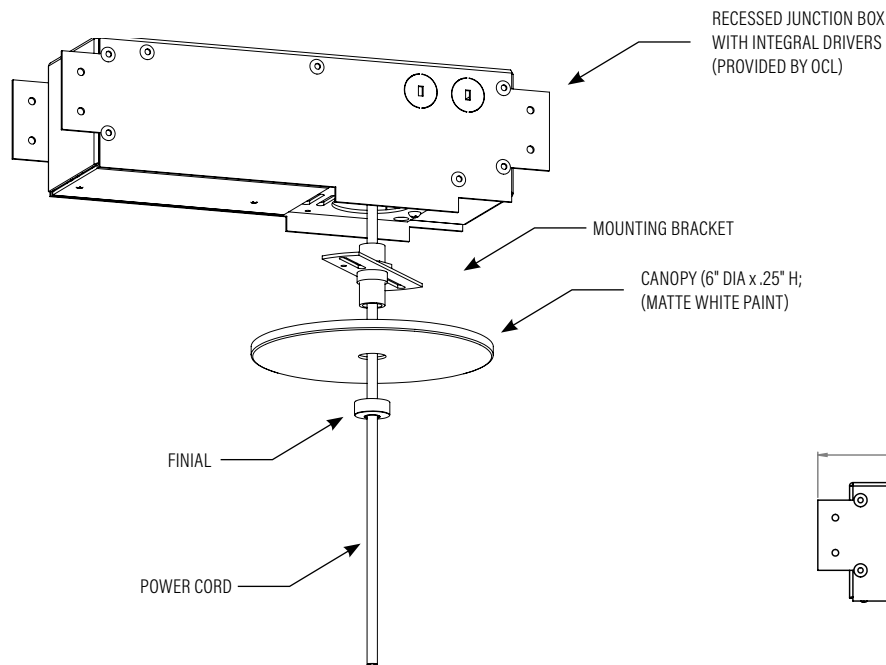


**PIFE** PENDANT WITH 6" FLAT CANOPY, SINGLE **SILVER** POWER CORD; MOUNTS TO OCL RECESSED J-BOX (PROVIDED BY OCL);  
**NOTE:** STATIC WHITE MOUNTING ONLY

### MOUNTING INFORMATION CHART

FIXTURE DIA.	FIXTURE WEIGHT	MIN/MAX OAH
04	3 LBS	10"/144"

PIFE ships with one of three OAH's (48", 100" or 144") and is field adjustable to the desired height.

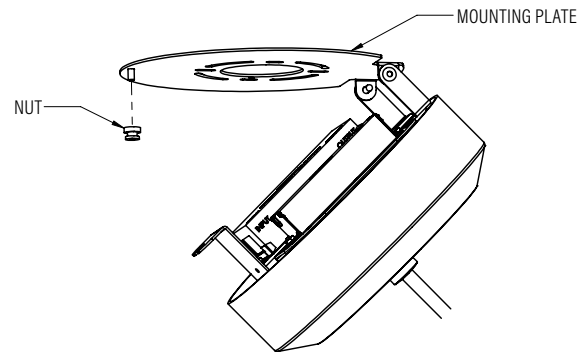
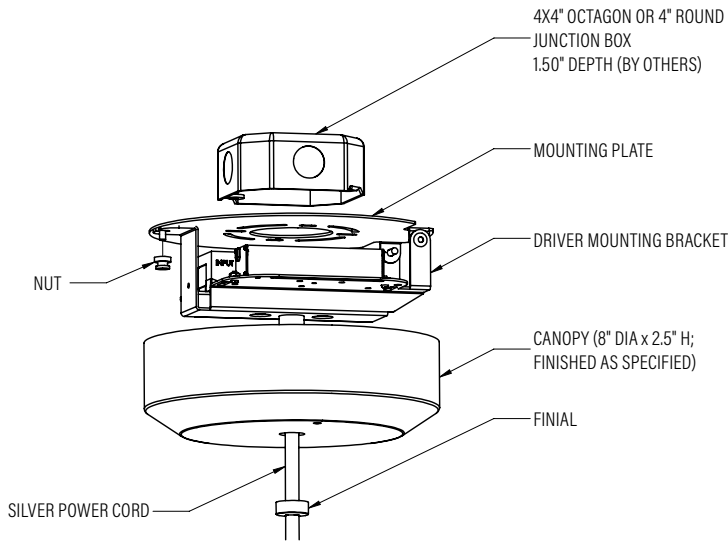


**PIHA** PENDANT WITH 8" SURFACE MOUNT CANOPY, SINGLE **SILVER** POWER CORD; MOUNTS TO 4X4 OCTAGON J-BOX (BY OTHERS);  
**NOTE: TUNABLE WHITE OR RGBW MOUNTING ONLY**

**MOUNTING INFORMATION CHART**

FIXTURE DIA.	FIXTURE WEIGHT	MIN/MAX OAH
04	3 LBS	10"/144"

PIHA ships with one of three OAH's (48", 100" or 144") and is field adjustable to the desired height.



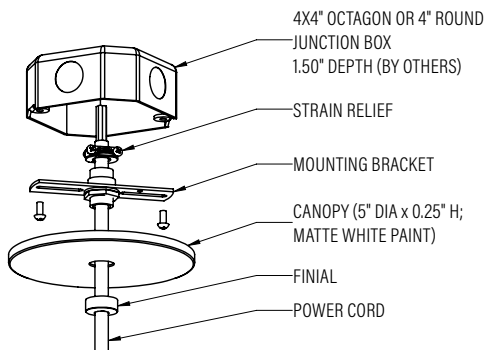
**PIJA** PENDANT WITH 5" FLAT CANOPY, SINGLE **SILVER** POWER CORD; MOUNTS TO 4X4 OCTAGON J-BOX (BY OTHERS); REMOTE DRIVER ENCLOSURE

**MOUNTING INFORMATION CHART**

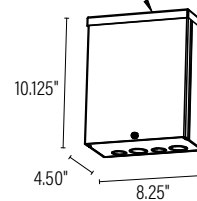
FIXTURE DIA.	FIXTURE WEIGHT	MIN/MAX OAH
04	3 LBS	10"/144"

PIJA ships with one of three OAH's (48", 100" or 144") and is field adjustable to the desired height.

PIJA will include ETL listed enclosure for remote mounting drivers. Max 30' distance from luminaire for **DM1, DM8, DALI** and **DMX**. Enclosure must remain accessible after installation.



REMOTE DRIVER HOUSING ENCLOSURE (PROVIDED BY OCL)



**DIFFUSER**

**FINISH**

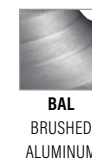
**FINISHES:**



**METALLIC POWDER COAT FINISHES:**



**PREMIUM METAL FINISHES:**



**SOLID POWDER COAT FINISHES:**



**TEXTURED POWDER COAT FINISHES:**



**RAL, Pantone® or custom finishes are also available.**

These colors are for reference only. Please be aware that colors may vary per monitor. Contact your local rep for finish samples or with any questions.

## LIGHT SOURCE

		04
LED1	LUMENS DELIVERED	635
	SYSTEM WATTAGE	8
TWH1	LUMENS DELIVERED	635
	SYSTEM WATTAGE	8

This chart was created for a 35K color temp. Multiply by 0.95 for 27k color temp, 0.97 for 30k color temp, and 1.03 for 40k color temp. Wattage and lumen data for **TWH1** approx. pending LM-79 testing.; contact factory for **RGBW**.

Values shown for 80+ CRI. For 90+ CRI lumens use 0.85 multiplier.

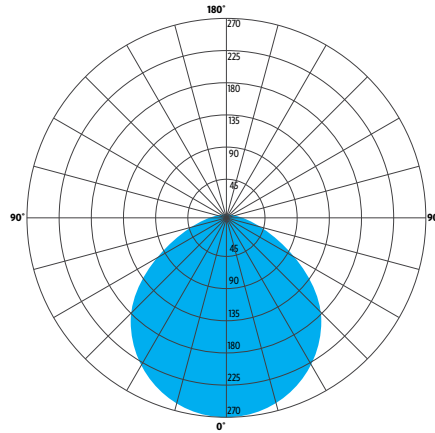
STANDARD COLOR TEMPERATURE OPTIONS	CRI (RA)	
2700K	80+	90+
3000K	80+	90+
3500K	80+	90+
4000K	80+	90+
TWH1	90+	
RGBW	N/A	

ZONE	LUMENS	% OF LUMINAIRE
0-30	165	26%
0-60	485	76%
0-90	610	96%
90-180	25	4%
0-180	635	100%

### PHOTOMETRY:

LUMINAIRE: GB1-PICF-04-FS-WTP-LED1\_35K-UNV-36-DM1  
 COLOR TEMP #: 3500K  
 EFFICACY: 79 LM/W  
 TEST REPORT: TEST NO. 20859.0

For all available IES files, please visit our website at [ocl.com](http://ocl.com).



## CONTROL

### DM1 0-10V DIMMING 1%

- 0-10V DIMMING PROTOCOL
- 1% MINIMUM DIM LEVEL
- ELECTRONIC DRIVER
- POWER FACTOR >0.9
- THD <20%
- MINIMUM AMBIENT OPERATING TEMPERATURE -31°F
- LINEAR DIMMING CURVE
- FIELD REPLACEABLE

### DMX DMX CONTROL DIMMABLE TO 0.1%

- DMX/RDM DIMMING PROTOCOL
- 0.1% MINIMUM DIM LEVEL
- ELECTRONIC DRIVER
- POWER FACTOR >0.9
- THD <20%
- MINIMUM AMBIENT OPERATING TEMPERATURE -4°F
- LOGARITHMIC DIMMING CURVE [DEFAULT]
- FIELD REPLACEABLE

### DM8 DUAL 0-10V DIMMING 0.1%

- 0-10V DIMMING PROTOCOL
- 0.1% MINIMUM DIM LEVEL
- ELECTRONIC DRIVER
- POWER FACTOR >0.9
- THD <20%
- MINIMUM AMBIENT OPERATING TEMPERATURE -4°F
- LOGARITHMIC DIMMING CURVE [DEFAULT]
- FIELD REPLACEABLE

### DALI DALI CONTROL SYSTEM, DIMMABLE 0.1%

- DALI-2 DEVICE TYPE 6 CONTROL PROTOCOL
- 0.1% MINIMUM DIM LEVEL
- ELECTRONIC DRIVER
- POWER FACTOR >0.9
- THD <20%
- MINIMUM AMBIENT OPERATING TEMPERATURE -4°F
- LOGARITHMIC DIMMING CURVE [DEFAULT]
- FIELD REPLACEABLE

## OPTIONS

### ULD DAMP LABEL LUMINAIRE

- MAY BE USED IN AN OUTDOOR AREA THAT IS PROTECTED FROM DIRECT CONTACT WITH WIND, RAIN, SNOW OR EXCESSIVE MOISTURE

### MOD MODIFIED LUMINAIRE

- LUMINAIRE IS MODIFIED FROM STANDARD OPTIONS; CONTACT LOCAL REP FOR MORE INFORMATION

## SPECIFICATIONS

### CONSTRUCTION

- HOUSING IS DIE-CAST ALUMINUM
- DIFFUSER IS FROSTED SILICONE
- CANOPY IS SPUN ALUMINUM
- HARDWARE IS ZINC PLATED OR STAINLESS STEEL

### MOUNTING

- **PICF, PIHA AND PIJA** MOUNT TO 4X4" OCTAGON OR 4" ROUND J-BOX (BY OTHER)
- **PIFE** MOUNTS TO OCL PROPRIETARY RECESSED J-BOX WITH INTEGRAL DRIVER (PROVIDED BY OCL)

### ELECTRICAL

- DIMMING ELECTRONIC DRIVER(S), COMES STANDARD
- WITH 0-10V DOWN TO 1% [STATIC WHITE]
- BRIDGELUX VERO 10 GEN 6 COB
- 80+ CRI = 80 RA, R9 > 0 (10-15 TYP.)
- 90+ CRI = 90 RA, R9 > 50
- **FOR INTEGRAL DRIVERS:** LUMINAIRE CONNECTS TO BUILDING SUPPLY (120V-277V 50/60HZ)
- **FOR REMOTE DRIVERS:** LUMINAIRE WIRE LEADS ARE LOW-VOLTAGE. THE WIRES SHOULD BE CONNECTED TO OCL PROVIDED REMOTE DRIVER ENCLOSURE ONLY!

### LISTING

- ETL LISTED TO UL 1598 FOR DRY LOCATIONS; DAMP LOCATION LISTED IS OPTION

### WARRANTY

- 5 YEAR; ALL ELECTRICAL COMPONENTS RETAIN THE MANUFACTURER'S WARRANTY

The drawings and specifications and ideas, designs and arrangements represented on these drawings are and shall remain the property of The Original Cast Lighting (OCL Architectural Lighting) and no part thereof shall be copied, disclosed, to others or used in conjunction with any work or project other than the specified project for which they have been prepared and developed, without written consent of OCL. Visual contact with these plans or specifications shall constitute conclusive evidence of acceptance of these restrictions. All specifications and information subject to change without notice.