

INSTALLATION INSTRUCTIONS CENTRO CEILING WITH C10A & O10A HANGING SYSTEM

These instructions cover the CENTRO luminaire with the following options:

SERIES	HANGING SYSTEM	SIZE	LIGHT SOURCE	CONTROL	WIRE DIAGRAM
CT1 (CENTRO)	C10A: OUTDOOR SURFACE CEILING MOUNT (ETL LISTED FOR WET LOCATION) O10A: OUTDOOR ADA COMPLIANT SCONCE (ETL LISTED FOR WET LOCATION)	14"	STATIC WHITE	DM1 / DM3	WIRE DIAGRAM ON PAGE 4

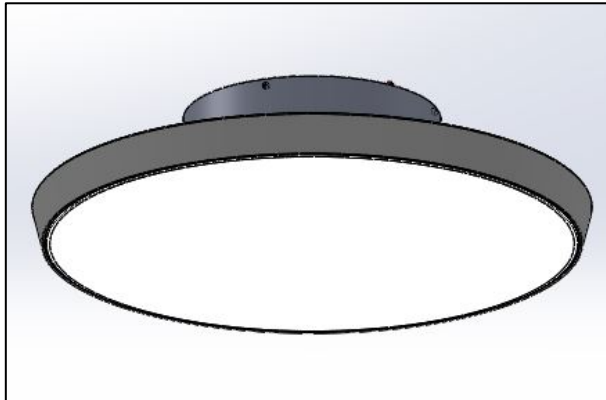


FIG. 1- CT1-O10A_C10A-14-MW-PTD-LEDX_XXK-UNV-XXX-DM~

GENERAL NOTES:

1. PLEASE COMPLETELY READ THE INSTALL INSTRUCTIONS BEFORE STARTING INSTALLATION.
2. INSTALL IN ACCORDANCE WITH ALL LOCAL, STATE AND NATIONAL CODES CONSULT WITH A QUALIFIED ELECTRICIAN FOR PROPER INSTALLATION.
3. CAREFULLY UNPACK ALL CONTENTS; SOME COMPONENTS MAY HAVE BEEN SHIPPED IN SEPARATE BOXES MOST FIXTURES ARE SHIPPED PARTIALLY ASSEMBLED. SOME UNASSEMBLY MAY BE REQUIRED FOR INSTALLATION.
4. INSPECT EACH COMPONENT RECEIVED; IF ANY COMPONENT SHOWS SIGNS OF DAMAGE OR POTENTIAL FAILURE, STOP INSTALLATION IMMEDIATELY AND CONTACT FACTORY FOR HOW TO PROCEED.
5. DO NOT LET THE CENTRO LUMINAIRE HANG FREE UNTIL MOUNTING PLATE IS SECURED TO FIXTURE BODY.

OCL Architectural Lighting

Phone: 314.863.1895
Fax: 314.863.3278
www.ocl.com

Table of Contents

GENERAL INFORMATION:	3
CENTRO MOUNTING:	4

CT1-O10A-C10A-INSTALLATION INSTRUCTIONS

GENERAL INFORMATION:

You will receive the following with each CENTRO series fixture:

1. CENTRO LUMINAIRE (Pre-assembled as shown in FIG. 2)
2. INSTALLATION INSTRUCTIONS (shown in FIG. 3) - Please completely read the install instructions before starting installation.

WARNING: Examine all components for any damage before beginning installation.

WARNING: This fixture should be installed by a licensed electrician only.

WARNING: Be careful not to scratch or damage any finished parts.

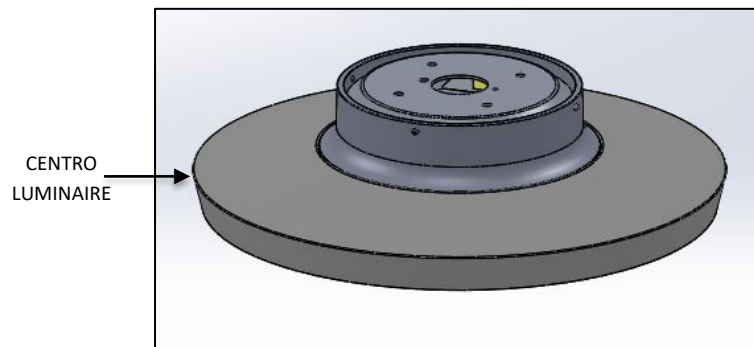


FIG.2 CENTRO LUMINAIRE (PRE-ASSEMBLED)

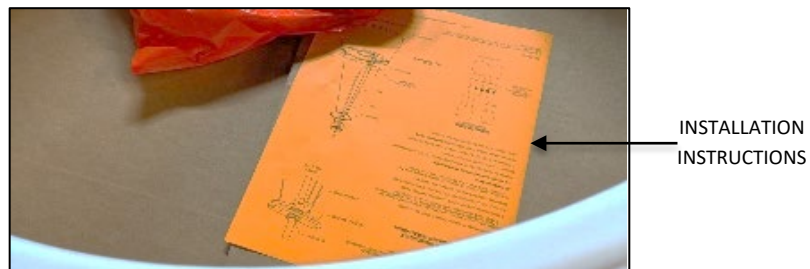


FIG.3 INSTALLATION INSTRUCTIONS

OCL Architectural Lighting

Phone: 314.863.1895

Fax: 314.863.3278

www.ocl.com

CT1-O10A-C10A-INSTALLATION INSTRUCTIONS

CENTRO MOUNTING:

1. Unscrew SETSCREWS 4places and remove the MOUNTING PLATE out of LUMINAIRE as shown in FIG 4.
2. Attach MOUNTING PLATE TO JUNCTION BOX (BY OTHER) as shown below in FIG. 5.

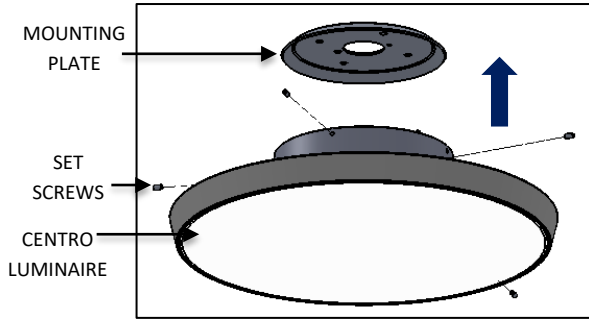


FIG. 4- MOUNTING PLATE DIS-ASSEMBLY

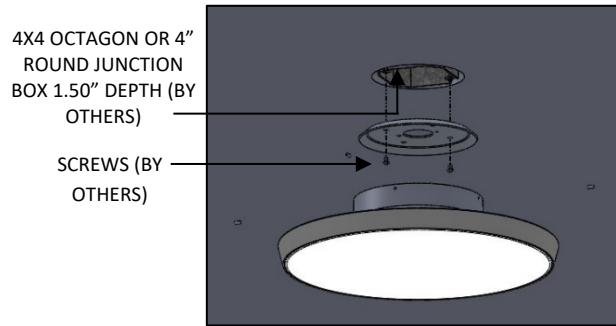


FIG. 5- MOUNTING PLATE INSTALLATION

3. Raise the fixture and make all electrical connections as per WIRE LABEL TABLE as shown in FIG.6 and 7 in accordance with the national electrical code and applicable local and state code. See WIRE DIAGRAM as shown below in FIG. 8 for wire connections.

WIRE DIAGRAM TABLE						
SERIES	HANGING SYSTEM	BODY SIZE	BODYLIGHT SOURCE	LED OUTPUT	CONTROL	WIRE DIAGRAM
CT1 (CENTRO)	C10A	14"	STATIC WHITE	LED1 & LED2	DM1 / DM3	WIRE DIAGRAM ON PAGE 4
	O10A	14"	STATIC WHITE	LED1 & LED2	DM1 / DM3	WIRE DIAGRAM ON PAGE 4

CORD-18_3-2 WIRE LABEL LABEL		
CONTROL	COLOR	LABEL
ALL	BLACK	LINE VOLTAGE
ALL	WHITE	NEUTRAL
ALL	GREEN	GROUND

FIG. 6 – WIRE LABEL TABLE SHOWING WIRE CONNECTIONS TO BUILDING SUPPLY FOR CORD-18_3-2

CORD-18_3-6 WIRE LABEL LABEL		
CONTROL	COLOR	LABEL
DM1	BLACK	0-10V(-)
DM1	WHITE	0-10V(+)
DM3	BLACK	E1
DM3	WHITE	E2

FIG. 7 - WIRE LABEL TABLE SHOWING WIRE CONNECTIONS TO BUILDING SUPPLY FOR CORD-18_3-6

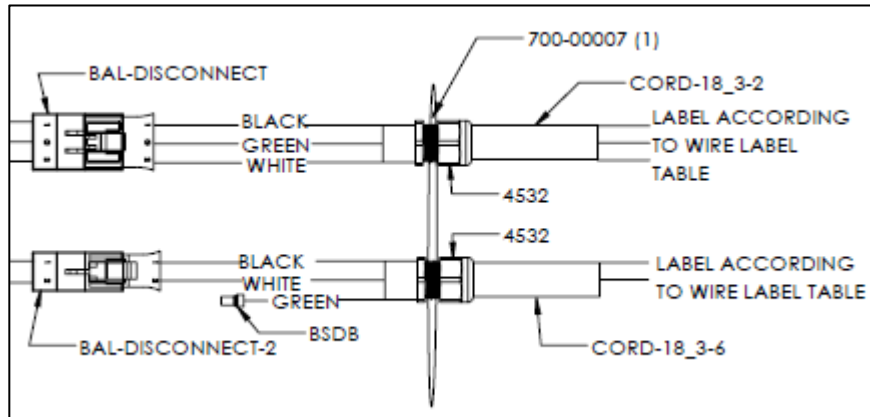


FIG. 8 - WIRE DIAGRAM

CT1-010A-C10A-INSTALLATION INSTRUCTIONS

4. Slide **FIXTURE BODY** over **MOUNTING PLATE**. Tighten **SET SCREWS** to secure **FIXTURE** (make sure that all the **SET SCREWS** engage the **MOUNTING PLATE** in order to safely hold the **FIXTURE**) as shown below in **FIG. 9**.

WARNING:



Do not let the CENTRO LUMINAIRE hang free until MOUNTING PLATE is secured to FIXTURE BODY.

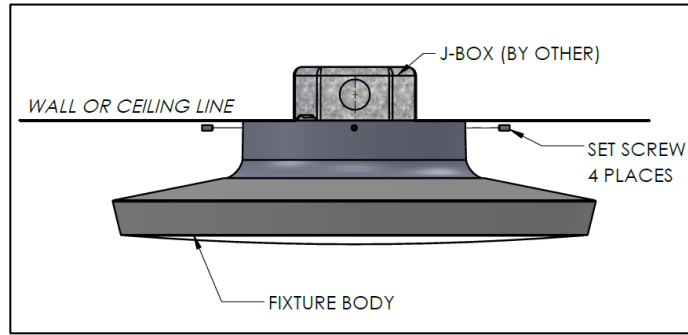


FIG. 9 – FIXTURE BODY INSTALLATION

5. Apply Silicone where the fixture meets the wall or ceiling.
6. Restore power to circuit the **CENTRO** series is connected to.
 - a. Test to see that the luminaire turns on after power is restored.
 - b. Contact **OCL** for any luminaire troubleshooting if a problem occurs.

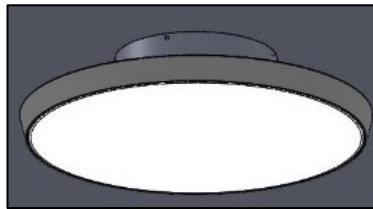


FIG. 10 - COMPLETED INSTALLATION OF CT1- C10A - 14-MW-PTD-LEDX_XXK-UNV-XXX-DM~

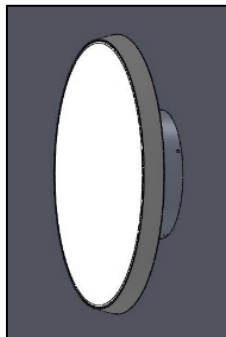


FIG. 11 - COMPLETED INSTALLATION OF CT1-010A - 14-MW-PTD-LEDX_XXK-UNV-XXX-DM~

OCL Architectural Lighting

Phone: 314.863.1895

Fax: 314.863.3278

www.ocl.com