



# Royale™

PENDANT



**FEATURES**

- 14" DIAMETER
- DIE-CAST ALUMINUM BODY
- FORMED METAL SPOKES CREATE WHIMSICAL SHAPES
- PERFORMANCE DIFFUSER ALLOWS HIGH TRANSMISSION AND ZERO LED IMAGING
- FIELD REPLACEABLE LIGHT SOURCE ASSEMBLY AND DRIVERS
- 3 STEP LED BINNING



**CATALOG CODES**

<b>A</b>	<b>B</b>	<b>14</b>	<b>MW</b>	<b>E</b>	<b>F</b>	<b>UNV</b>	<b>H</b>	<b>I</b>	<b>J</b>
SERIES	HANGING SYSTEM	SIZE	DIFFUSER	FINISH	LIGHT SOURCE	VOLTAGE	OAH	CONTROL	OPTIONS

SPECIFY CATALOG CODE		C		E																									
A	B	SIZE	DIFFUSER	FINISH																									
 <b>RY1</b> ROYALE DOME   <b>RY2</b> ROYALE CONE	<b>P1CB</b> PENDANT WITH SURFACE MOUNT CANOPY, SINGLE <b>WHITE</b> POWER CORD; MOUNTS TO 4X4 OCTAGON J-BOX (BY OTHERS)  <b>P1CC</b> PENDANT WITH SURFACE MOUNT CANOPY, SINGLE <b>BLACK</b> POWER CORD; MOUNTS TO 4X4 OCTAGON J-BOX (BY OTHERS)  <b>P1CF</b> PENDANT WITH SURFACE MOUNT CANOPY, SINGLE <b>SILVER</b> POWER CORD; MOUNTS TO 4X4 OCTAGON J-BOX (BY OTHERS)  <b>P1FC</b> PENDANT WITH FLAT CANOPY, SINGLE <b>WHITE</b> POWER CORD; MOUNTS TO OCL RECESSED J-BOX (PROVIDED BY OCL)  <b>P1FD</b> PENDANT WITH FLAT CANOPY, SINGLE <b>BLACK</b> POWER CORD; MOUNTS TO OCL RECESSED J-BOX (PROVIDED BY OCL)  <b>P1FE</b> PENDANT WITH FLAT CANOPY, SINGLE <b>SILVER</b> POWER CORD; MOUNTS TO OCL RECESSED J-BOX (PROVIDED BY OCL)	<b>14</b>	<b>MW</b> MATTE WHITE	<b>POWDER COAT FINISHES</b> <table border="0"> <tr> <td><b>AWP</b> AUTUMN WHITE</td> <td><b>HEP</b> HENNA</td> </tr> <tr> <td><b>BEP</b> BEIGE</td> <td><b>KAP</b> KHAKI</td> </tr> <tr> <td><b>BKP</b> BLACK</td> <td><b>LBP</b> LIGHT BRONZE</td> </tr> <tr> <td><b>BLP</b> BLUE</td> <td><b>MWP</b> MATTE WHITE</td> </tr> <tr> <td><b>BMP</b> BRASS METALLIC</td> <td><b>RHP</b> RESEDA HAMMERTONE</td> </tr> <tr> <td><b>BNP</b> BRONZE</td> <td><b>SAP</b> SAGE GREEN</td> </tr> <tr> <td><b>BTP</b> BLACK TEXTURED</td> <td><b>SGP</b> STEEL GRAY</td> </tr> <tr> <td><b>CHP</b> COPPER HAMMERTONE</td> <td><b>SHP</b> SILVER HAMMERTONE</td> </tr> <tr> <td><b>CMP</b> COPPER METALLIC</td> <td><b>SMP</b> SILVER METALLIC</td> </tr> <tr> <td><b>DBP</b> DENIM BLUE</td> <td><b>SRP</b> STORM GRAY</td> </tr> <tr> <td><b>GRP</b> GRAPHITE</td> <td><b>SWP</b> SKY WHITE</td> </tr> <tr> <td><b>GTP</b> GRAY TEXTURED</td> <td><b>WTP</b> WHITE TEXTURED</td> </tr> </table>		<b>AWP</b> AUTUMN WHITE	<b>HEP</b> HENNA	<b>BEP</b> BEIGE	<b>KAP</b> KHAKI	<b>BKP</b> BLACK	<b>LBP</b> LIGHT BRONZE	<b>BLP</b> BLUE	<b>MWP</b> MATTE WHITE	<b>BMP</b> BRASS METALLIC	<b>RHP</b> RESEDA HAMMERTONE	<b>BNP</b> BRONZE	<b>SAP</b> SAGE GREEN	<b>BTP</b> BLACK TEXTURED	<b>SGP</b> STEEL GRAY	<b>CHP</b> COPPER HAMMERTONE	<b>SHP</b> SILVER HAMMERTONE	<b>CMP</b> COPPER METALLIC	<b>SMP</b> SILVER METALLIC	<b>DBP</b> DENIM BLUE	<b>SRP</b> STORM GRAY	<b>GRP</b> GRAPHITE	<b>SWP</b> SKY WHITE	<b>GTP</b> GRAY TEXTURED	<b>WTP</b> WHITE TEXTURED
	<b>AWP</b> AUTUMN WHITE	<b>HEP</b> HENNA																											
	<b>BEP</b> BEIGE	<b>KAP</b> KHAKI																											
	<b>BKP</b> BLACK	<b>LBP</b> LIGHT BRONZE																											
	<b>BLP</b> BLUE	<b>MWP</b> MATTE WHITE																											
	<b>BMP</b> BRASS METALLIC	<b>RHP</b> RESEDA HAMMERTONE																											
<b>BNP</b> BRONZE	<b>SAP</b> SAGE GREEN																												
<b>BTP</b> BLACK TEXTURED	<b>SGP</b> STEEL GRAY																												
<b>CHP</b> COPPER HAMMERTONE	<b>SHP</b> SILVER HAMMERTONE																												
<b>CMP</b> COPPER METALLIC	<b>SMP</b> SILVER METALLIC																												
<b>DBP</b> DENIM BLUE	<b>SRP</b> STORM GRAY																												
<b>GRP</b> GRAPHITE	<b>SWP</b> SKY WHITE																												
<b>GTP</b> GRAY TEXTURED	<b>WTP</b> WHITE TEXTURED																												
<b>LIGHT SOURCE</b>		<b>VOLTAGE</b>		<b>OAH</b>																									
<b>LED OUTPUT</b> <b>LED1</b> <b>LED2</b> <b>LED3</b>	<b>COLOR TEMP</b> <b>27K</b> <b>30K</b> <b>35K</b> <b>40K</b>	<b>UNV</b> 120-277	<b>SPECIFY IN INCHES</b>	<b>CONTROL</b> <b>DM1</b> 0-10V DIMMING 1% <b>DM3</b> LUTRON HI-LUME ECOSYSTEM 1% (LDE1)																									
				<b>OPTIONS</b> <b>ULD</b> UL DAMP LABEL <b>MOD</b> MODIFIED LUMINAIRE (CONTACT LOCAL REP)																									

SAMPLE CODE: RY1-P1CB-14-MW-SMP-LED1/27K-UNV-36-DM1

**MODS, NOTES, & COMMENTS**

UP TO **110** LM/W

LUMENS AND WATTAGE CHART		SIZE
		14"
<b>LED1</b>	LUMENS DELIVERED	1650
	SYSTEM WATTAGE	15
<b>LED2</b>	LUMENS DELIVERED	2750
	SYSTEM WATTAGE	25
<b>LED3</b>	LUMENS DELIVERED	3850
	SYSTEM WATTAGE	35

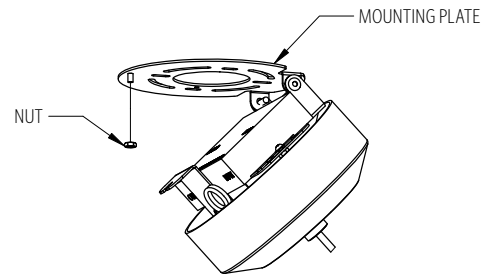
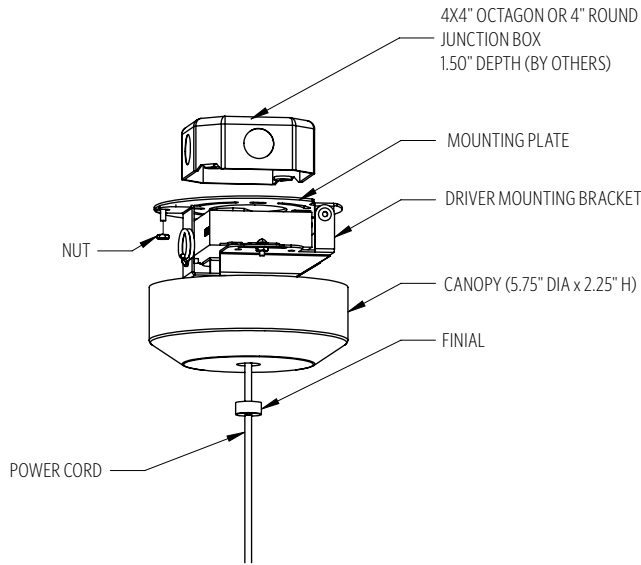
This chart was created for a 35K color temp. Multiply by 0.95 for 27k color temp, 0.97 for 30k color temp, and 1.03 for 40k color temp.

## HANGING SYSTEM

- PICB** PENDANT WITH SURFACE MOUNT CANOPY, SINGLE **WHITE** POWER CORD; MOUNTS TO 4X4 OCTAGON J-BOX (BY OTHERS)
- PICC** PENDANT WITH SURFACE MOUNT CANOPY, SINGLE **BLACK** POWER CORD; MOUNTS TO 4X4 OCTAGON J-BOX (BY OTHERS)
- PICF** PENDANT WITH SURFACE MOUNT CANOPY, SINGLE **SILVER** POWER CORD; MOUNTS TO 4X4 OCTAGON J-BOX (BY OTHERS)

### MOUNTING INFORMATION CHART

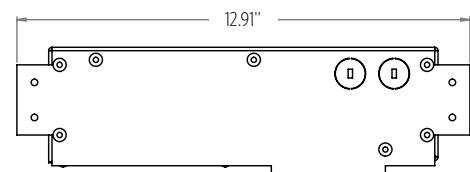
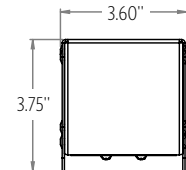
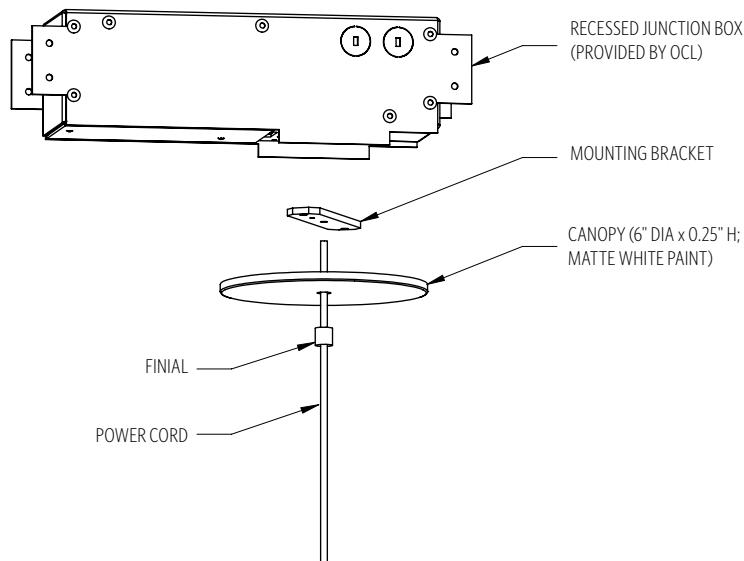
	LUMINAIRE DIAMETER	LUMINAIRE WEIGHT	MIN/MAX OAH
<b>RY1</b>	14"	10 LBS	15"/144"
<b>RY2</b>	14"	10 LBS	18"/144"



- P1FC** PENDANT WITH FLAT CANOPY, SINGLE **WHITE** POWER CORD; MOUNTS TO OCL RECESSED J-BOX (PROVIDED BY OCL)
- P1FD** PENDANT WITH FLAT CANOPY, SINGLE **BLACK** POWER CORD; MOUNTS TO OCL RECESSED J-BOX (PROVIDED BY OCL)
- P1FE** PENDANT WITH FLAT CANOPY, SINGLE **SILVER** POWER CORD; MOUNTS TO OCL RECESSED J-BOX (PROVIDED BY OCL)

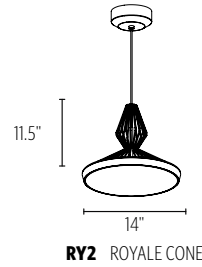
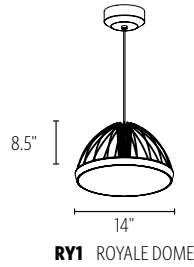
### MOUNTING INFORMATION CHART

	LUMINAIRE DIAMETER	LUMINAIRE WEIGHT	MIN/MAX OAH
<b>RY1</b>	14"	10 LBS	15"/144"
<b>RY2</b>	14"	10 LBS	18"/144"



**PROFILE VIEW**  
RECESSED JUNCTION BOX

**SIZES**



**DIFFUSER**



**MW** MATTE WHITE

**FINISH**

**SOLID POWDER COAT FINISHES:**



**METALLIC POWDER COAT FINISHES:**



**TEXTURED POWDER COAT FINISHES:**



These colors are for reference only. Please be aware that colors may vary per monitor. Please contact your sales rep for finish samples.

**LIGHT SOURCE**

LUMENS AND WATTAGE CHART		SIZE
		14"
<b>LED1</b>	LUMENS DELIVERED	1650
	SYSTEM WATTAGE	15
<b>LED2</b>	LUMENS DELIVERED	2750
	SYSTEM WATTAGE	25
<b>LED3</b>	LUMENS DELIVERED	3850
	SYSTEM WATTAGE	35

This chart was created for a 35K color temp. Multiply by 0.95 for 27k color temp, 0.97 for 30k color temp, and 1.03 for 40k color temp.

STANDARD COLOR TEMPERATURE OPTIONS	CRI
2700K	80+
3000K	80+
3500K	80+
4000K	80+

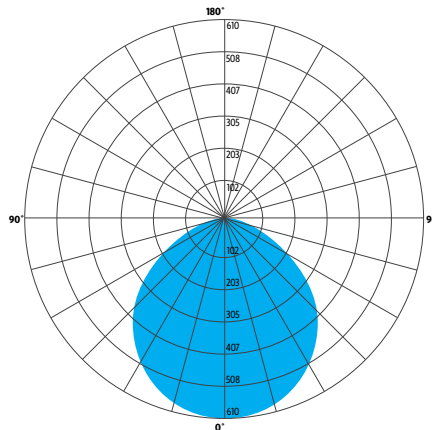
**LUMEN MAINTENANCE**

REPORTED: L70 AT >60,000 HRS  
 CALCULATED: L70 AT 185,000 HRS  
 REPORTED: L90 AT 54,000 HRS  
 CALCULATED: L90 AT 54,000 HRS

Derived from EPA TM-21 calculator. Based on typical conditions. Consult the factory for additional details

**PHOTOMETRY:**

LUMINAIRE: RY1-XXXX-14-GW-XXX-LED2\_35K-UNV  
 COLOR TEMP #: 3500K  
 EFFICACY: 110 LM/W  
 TEST REPORT: TEST NO. 19811.0



ZONE	LUMENS	% OF LUMINAIRE
0-30	772	28%
0-60	2220	81%
0-90	2742	100%
90-180	0	0

## CONTROL

### DM1 0-10V DIMMING 1%

- 0-10V DIMMING
- 1% MINIMUM DIM LEVEL
- ELECTRONIC DRIVER
- POWER FACTOR >0.9
- THD <20%
- MINIMUM AMBIENT OPERATING TEMPERATURE -22°F
- FIELD REPLACEABLE

### DM3 LUTRON HI-LUME ECOSYSTEM 1%

- LUTRON HI-LUME SOFT-ON, FADE-TO-BLACK 1%, ECOSYSTEM, LDE1
- ELECTRONIC DRIVER
- POWER FACTOR >0.9
- THD <20%
- MINIMUM AMBIENT OPERATING TEMPERATURE: -32°F
- FIELD REPLACEABLE

## OPTIONS

### ULD DAMP LABEL LUMINAIRE

- MAY BE USED IN A OUTDOOR AREA THAT IS PROTECTED FROM DIRECT CONTACT WITH WIND, RAIN, SNOW OR EXCESSIVE MOISTURE

### MOD MODIFIED LUMINAIRE

- LUMINAIRE IS MODIFIED FROM STANDARD OPTIONS. CONTACT LOCAL REP FOR MORE INFORMATION

## SPECIFICATIONS

### CONSTRUCTION

- HOUSING IS DIE-CAST ALUMINUM
- DIFFUSER IS INJECTION-MOLDED WITH FROSTED SURFACE
- CANOPY IS SPUN ALUMINUM
- WIRE FORMS ARE .125" DIA. STEEL ROD
- HARDWARE IS ZINC PLATED OR STAINLESS STEEL

### MOUNTING

- PICB, P1CC, P1CF ALL MOUNT TO 4X4" OCTAGON OR 4" ROUND J-BOX (BY OTHER)
- P1FC, P1FD, P1FE ALL MOUNT TO OCL PROPRIETARY RECESSED J-BOX (PROVIDED BY OCL)

### ELECTRICAL

- DIMMING ELECTRONIC DRIVER(S), COMES STANDARD WITH 0-10V DOWN TO 1%
- LUTRON (LDE1) ECOSYSTEM 1% ALSO AVAILABLE
- OCL PROPRIETARY LED ARRAYS USE NICHIA 757 DIODES
- LUMINAIRE CONNECTS TO BUILDING SUPPLY (120V-277V 50/60HZ) UNLESS DRIVERS ARE REMOTE

### LISTING

- ETL LISTED TO UL 1598 FOR DRY LOCATIONS, DAMP LOCATION LISTED IS OPTION

### WARRANTY

- 5 YEAR; ALL ELECTRICAL COMPONENTS RETAIN THE MANUFACTURER'S WARRANTY

The drawings and specifications and ideas, designs and arrangements represented on these drawings are and shall remain the property of The Original Cast Lighting (OCL Architectural Lighting) and no part thereof shall be copied, disclosed, to others or used in conjunction with any work or project other than the specified project for which they have been prepared and developed, without written consent of OCL. Visual contact with these plans or specifications shall constitute conclusive evidence of acceptance of these restrictions. All specifications and information subject to change without notice.