



Royale™

PENDANT

FEATURES



- 14" DIAMETER
- DIE-CAST ALUMINUM BODY
- FORMED METAL SPOKES CREATE WHIMSICAL SHAPES
- PERFORMANCE DIFFUSER ALLOWS HIGH TRANSMISSION AND ZERO LED IMAGING
- FIELD REPLACEABLE LIGHT SOURCE ASSEMBLY AND DRIVERS
- 3 STEP LED BINNING



CATALOG CODES

A	B	14	MW	E	F	UNV	H	I	J
SERIES	HANGING SYSTEM	SIZE	DIFFUSER	FINISH	LIGHT SOURCE	VOLTAGE	OAH	CONTROL	OPTIONS

SPECIFY CATALOG CODE

A	B	C	D	E												
SERIES	HANGING SYSTEM	SIZE	DIFFUSER	FINISH												
 RY1 ROYALE DOME	P1CF PENDANT WITH SURFACE MOUNT CANOPY, SINGLE SILVER POWER CORD; MOUNTS TO 4X4 OCTAGON J-BOX (BY OTHERS) P1FE PENDANT WITH FLAT CANOPY, SINGLE SILVER POWER CORD; MOUNTS TO OCL RECESSED J-BOX (PROVIDED BY OCL)	14	MW MATTE WHITE	POWDER COAT FINISHES <table border="0"> <tr> <td>BKP BLACK</td> <td>MWP MATTE WHITE</td> </tr> <tr> <td>BMP BRASS METALLIC</td> <td>SGP STEEL GRAY</td> </tr> <tr> <td>BNP BRONZE</td> <td>SMP SILVER METALLIC</td> </tr> <tr> <td>BTP BLACK TEXTURED</td> <td>SWP SKY WHITE</td> </tr> <tr> <td>GLP GOLDTASTIC</td> <td>WTP WHITE TEXTURED</td> </tr> <tr> <td>GRP GRAPHITE</td> <td></td> </tr> </table>	BKP BLACK	MWP MATTE WHITE	BMP BRASS METALLIC	SGP STEEL GRAY	BNP BRONZE	SMP SILVER METALLIC	BTP BLACK TEXTURED	SWP SKY WHITE	GLP GOLDTASTIC	WTP WHITE TEXTURED	GRP GRAPHITE	
BKP BLACK	MWP MATTE WHITE															
BMP BRASS METALLIC	SGP STEEL GRAY															
BNP BRONZE	SMP SILVER METALLIC															
BTP BLACK TEXTURED	SWP SKY WHITE															
GLP GOLDTASTIC	WTP WHITE TEXTURED															
GRP GRAPHITE																
 RY2 ROYALE CONE																

F		G	H	I	J
LIGHT SOURCE		VOLTAGE	OAH*	CONTROL	OPTIONS
LED OUTPUT LED1 LED2 LED3	COLOR TEMP 27K 30K 35K 40K	UNV 120-277	48 100 144	DM1 0-10V DIMMING 1% DM3 LUTRON HI-LUME ECOSYSTEM 1% (LDEI)	ULD UL DAMP LABEL MOD MODIFIED LUMINAIRE (CONTACT LOCAL REP)

SAMPLE CODE: RY1-P1CF-14-MW-WTP-LED1/27K-UNV-36-DM1

* For Minimum OAH, see hanging systems details. Fixture will ship with one of three standard OAH's (48", 100" or 144") field adjustable to the desired height.

UP TO **110** LM/W

LUMENS AND WATTAGE CHART		SIZE
		14"
LED1	LUMENS DELIVERED	1650
	SYSTEM WATTAGE	15
LED2	LUMENS DELIVERED	2750
	SYSTEM WATTAGE	25
LED3	LUMENS DELIVERED	3850
	SYSTEM WATTAGE	35

This chart was created for a 35K color temp. Multiply by 0.95 for 27k color temp, 0.97 for 30k color temp, and 1.03 for 40k color temp.

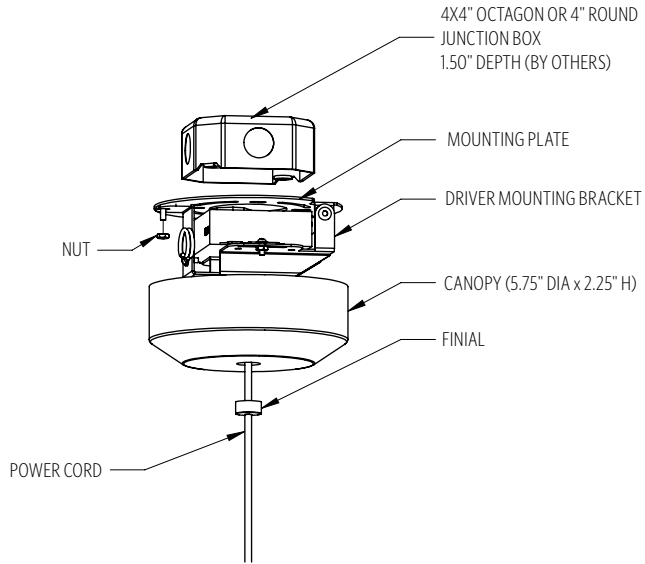
MODS, NOTES, & COMMENTS



This product meets the material restrictions of Article 4 of the RoHS Directive (2011/65/EU), including Commission Delegated Directive 2015/863

HANGING SYSTEM

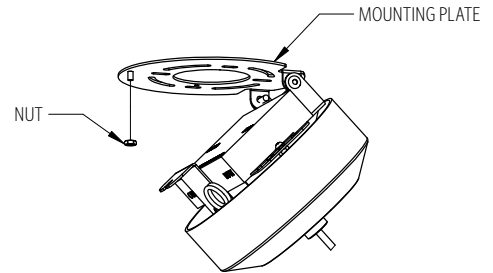
PICF PENDANT WITH SURFACE MOUNT CANOPY, SINGLE **SILVER** POWER CORD; MOUNTS TO 4X4 OCTAGON J-BOX (BY OTHERS)



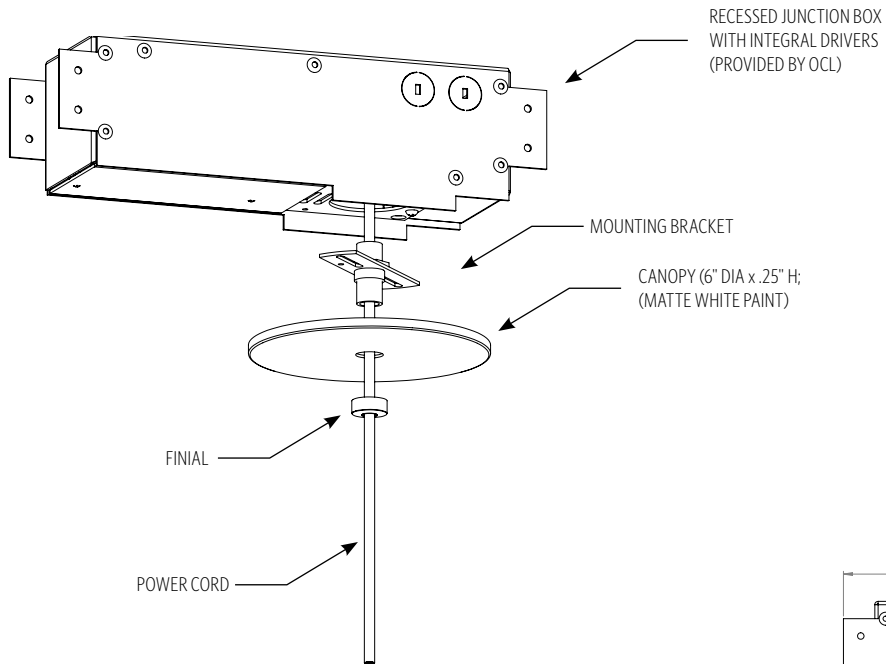
MOUNTING INFORMATION CHART

	LUMINAIRE DIAMETER	LUMINAIRE WEIGHT	MIN/MAX OAH
RY1	14"	10 LBS	15"/144"
RY2	14"	10 LBS	18"/144"

PICF ships with one of three OAH's (48", 100" or 144") and is field adjustable to the desired height.



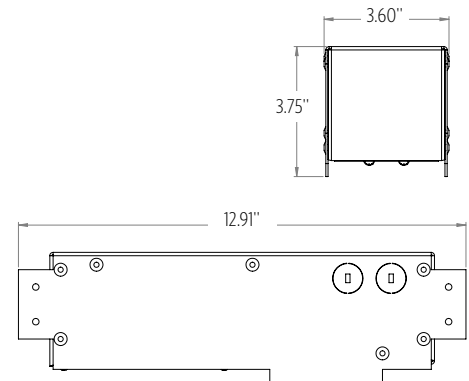
PIFE PENDANT WITH FLAT CANOPY, SINGLE **SILVER** POWER CORD; MOUNTS TO OCL RECESSED J-BOX (PROVIDED BY OCL)



MOUNTING INFORMATION CHART

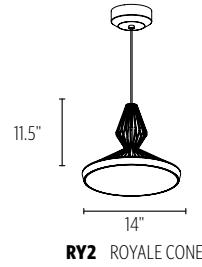
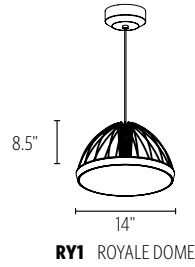
	LUMINAIRE DIAMETER	LUMINAIRE WEIGHT	MIN/MAX OAH
RY1	14"	10 LBS	15"/144"
RY2	14"	10 LBS	18"/144"

PIFE ships with one of three OAH's (48", 100" or 144") and is field adjustable to the desired height.



PROFILE VIEW
RECESSED JUNCTION BOX

SIZES



DIFFUSER



FINISH

METALLIC POWDER COAT FINISHES:



RAL®, Pantone® or custom finishes are also available.

These colors are for reference only. Please be aware that colors may vary per monitor. Contact your local rep for finish samples or with any questions.

SOLID POWDER COAT FINISHES:



TEXTURED POWDER COAT FINISHES:



LIGHT SOURCE

LUMENS AND WATTAGE CHART		SIZE 14"
LED1	LUMENS DELIVERED	1650
	SYSTEM WATTAGE	15
LED2	LUMENS DELIVERED	2750
	SYSTEM WATTAGE	25
LED3	LUMENS DELIVERED	3850
	SYSTEM WATTAGE	35

STANDARD COLOR TEMPERATURE OPTIONS	CRI
2700K	80+
3000K	80+
3500K	80+
4000K	80+

LUMEN MAINTENANCE

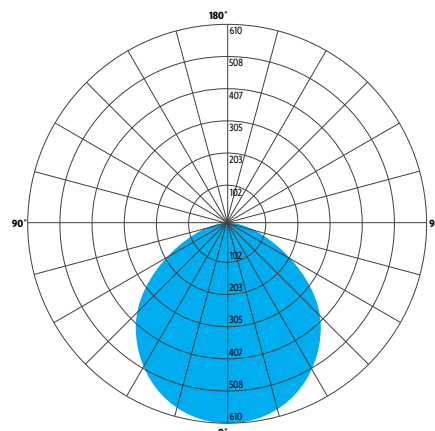
REPORTED:	L70 AT >60,000 HRS
CALCULATED:	L70 AT 185,000 HRS
REPORTED:	L90 AT 54,000 HRS
CALCULATED:	L90 AT 54,000 HRS

Derived from EPA TM-21 calculator. Based on typical conditions. Consult the factory for additional details

This chart was created for a 35K color temp. Multiply by 0.95 for 27k color temp, 0.97 for 30k color temp, and 1.03 for 40k color temp.

PHOTOMETRY:

LUMINAIRE:	RY1-XXXX-14-GW-XXX-LED2_35K-UNV
COLOR TEMP #:	3500K
EFFICACY:	110 LM/W
TEST REPORT:	TEST NO. 19811.0



ZONE	LUMENS	% OF LUMINAIRE
0-30	772	28%
0-60	2220	81%
0-90	2742	100%
90-180	0	0

CONTROL

DM1 0-10V DIMMING 1%

- 0-10V DIMMING
- 1% MINIMUM DIM LEVEL
- ELECTRONIC DRIVER
- POWER FACTOR >0.9
- THD <20%
- MINIMUM AMBIENT OPERATING TEMPERATURE -22°F
- FIELD REPLACEABLE

DM3 LUTRON HI-LUME ECOSYSTEM 1%

- LUTRON HI-LUME SOFT-ON, FADE-TO-BLACK 1%, ECOSYSTEM, LDE1
- ELECTRONIC DRIVER
- POWER FACTOR >0.9
- THD <20%
- MINIMUM AMBIENT OPERATING TEMPERATURE: -32°F
- FIELD REPLACEABLE

OPTIONS

ULD DAMP LABEL LUMINAIRE

- MAY BE USED IN A OUTDOOR AREA THAT IS PROTECTED FROM DIRECT CONTACT WITH WIND, RAIN, SNOW OR EXCESSIVE MOISTURE

MOD MODIFIED LUMINAIRE

- LUMINAIRE IS MODIFIED FROM STANDARD OPTIONS. CONTACT LOCAL REP FOR MORE INFORMATION

SPECIFICATIONS

CONSTRUCTION

- HOUSING IS DIE-CAST ALUMINUM
- DIFFUSER IS INJECTION-MOLDED WITH FROSTED SURFACE
- CANOPY IS SPUN ALUMINUM
- WIRE FORMS ARE .125" DIA. STEEL ROD
- HARDWARE IS ZINC PLATED OR STAINLESS STEEL

MOUNTING

- PICB, P1CC, P1CF ALL MOUNT TO 4X4" OCTAGON OR 4" ROUND J-BOX (BY OTHER)
- P1FC, P1FD, P1FE ALL MOUNT TO OCL PROPRIETARY RECESSED J-BOX (PROVIDED BY OCL)

ELECTRICAL

- DIMMING ELECTRONIC DRIVER(S), COMES STANDARD WITH 0-10V DOWN TO 1%
- LUTRON (LDE1) ECOSYSTEM 1% ALSO AVAILABLE
- OCL PROPRIETARY LED ARRAYS USE NICHIA 757 DIODES
- LUMINAIRE CONNECTS TO BUILDING SUPPLY (120V-277V 50/60HZ) UNLESS DRIVERS ARE REMOTE

LISTING

- ETL LISTED TO UL 1598 FOR DRY LOCATIONS, DAMP LOCATION LISTED IS OPTION

WARRANTY

- 5 YEAR; ALL ELECTRICAL COMPONENTS RETAIN THE MANUFACTURER'S WARRANTY

SUSTAINABILITY

- THIS PRODUCT MEETS THE MATERIAL RESTRICTIONS OF ARTICLE 4 OF THE **ROHS** DIRECTIVE (2011/65/EU), INCLUDING COMMISSION DELEGATED DIRECTIVE 2015/863

The drawings and specifications and ideas, designs and arrangements represented on these drawings are and shall remain the property of The Original Cast Lighting (OCL Architectural Lighting) and no part thereof shall be copied, disclosed, to others or used in conjunction with any work or project other than the specified project for which they have been prepared and developed, without written consent of OCL. Visual contact with these plans or specifications shall constitute conclusive evidence of acceptance of these restrictions. All specifications and information subject to change without notice.