



Royale™

PENDANT

FEATURES



- 14" DIAMETER DIE-CAST ALUMINUM BODY
- FORMED METAL SPOKES CREATE WHIMSICAL SHAPES
- PERFORMANCE DIFFUSER ALLOWS HIGH TRANSMISSION AND ZERO LED IMAGING
- FIELD REPLACEABLE LIGHT SOURCE ASSEMBLY AND DRIVERS
- AVAILABLE IN 80+ CRI AND 90+ CRI
- 3 STEP LED BINNING



CATALOG CODES

A	B	14	MW	E	F	UNV	H	I	J
SERIES	HANGING SYSTEM	SIZE	DIFFUSER	FINISH	LIGHT SOURCE	VOLTAGE	OAH	CONTROL	OPTIONS

SPECIFY CATALOG CODE

A		B		C		D		E	
SERIES		HANGING SYSTEM		SIZE		DIFFUSER		FINISH	
 RY1 ROYALE DOME	P1CF	PENDANT WITH SURFACE MOUNT CANOPY, SINGLE SILVER POWER CORD; MOUNTS TO 4X4 OCTAGON J-BOX (BY OTHERS)		14	MW	MATTE WHITE		POWDER COAT FINISHES BKP BLACK MWP MATTE WHITE BMP BRASS METALLIC SGP STEEL GRAY BNP BRONZE SMP SILVER METALLIC BTP BLACK TEXTURED SWP SKY WHITE GLP GOLDTASTIC WTP WHITE TEXTURED GRP GRAPHITE	
	P1FE	PENDANT WITH FLAT CANOPY, SINGLE SILVER POWER CORD; MOUNTS TO OCL RECESSED J-BOX (PROVIDED BY OCL)							
 RY2 ROYALE CONE									
F			G		H		I		J
LIGHT SOURCE			VOLTAGE		OAH**		CONTROL		OPTIONS
LED OUTPUT	COLOR TEMP (80+ CRI)	COLOR TEMP (90+ CRI)	UNV 120-277		48 100 144		DM1 0-10V DIMMING 1% DM3 LUTRON HI-LUME ECOSYSTEM 1% (LDEI)		ULD DAMP LABEL MOD MODIFIED LUMINAIRE (CONTACT LOCAL REP)
LED1	27K	927K							
LED2	30K	930K							
LED3	35K 40K	935K 940K							

SAMPLE CODE: RY1-P1CF-14-MW-WTP-LED1/27K-UNV-36-DM1

* For Minimum OAH, see hanging systems details. Fixture will ship with one of three standard OAH's (48", 100" or 144") field adjustable to the desired height.

UP TO **110** LM/W

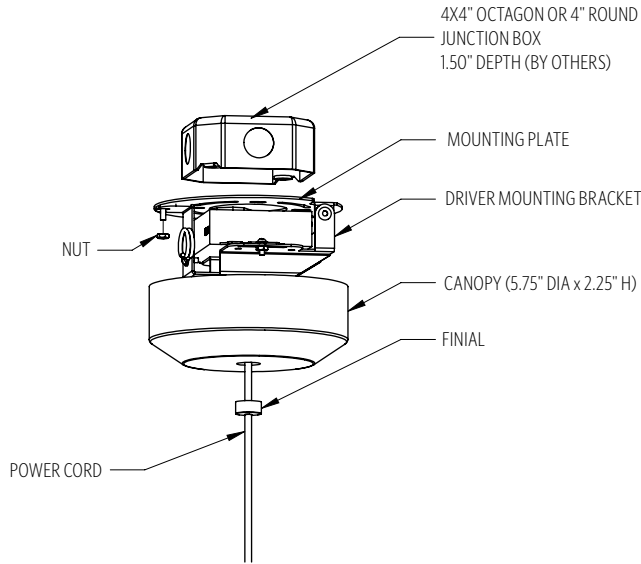
LUMENS AND WATTAGE CHART		SIZE
		14"
LED1	LUMENS DELIVERED	1650
	SYSTEM WATTAGE	15
LED2	LUMENS DELIVERED	2750
	SYSTEM WATTAGE	25
LED3	LUMENS DELIVERED	3850
	SYSTEM WATTAGE	35

This chart was created for a 35K color temp. Multiply by 0.95 for 27k color temp, 0.97 for 30k color temp, and 1.03 for 40k color temp. Values shown for 80+ CRI. For 90+ CRI lumens use 0.85 multiplier.

MODS, NOTES, & COMMENTS

HANGING SYSTEM

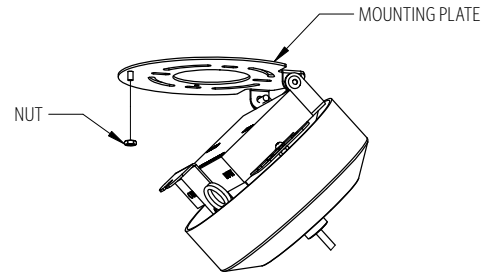
PICF PENDANT WITH SURFACE MOUNT CANOPY, SINGLE SILVER POWER CORD; MOUNTS TO 4X4 OCTAGON J-BOX (BY OTHERS)



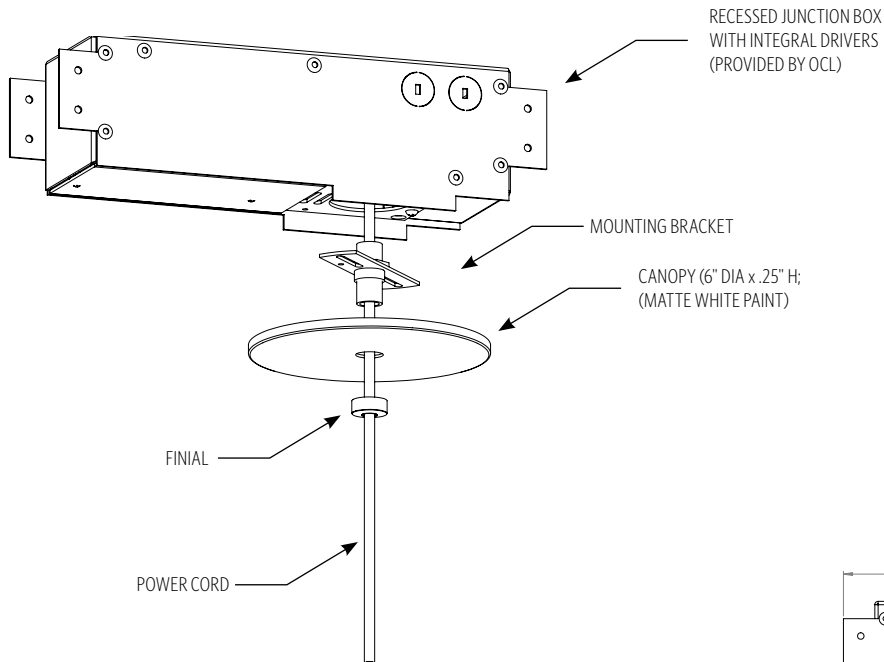
MOUNTING INFORMATION CHART

	LUMINAIRE DIAMETER	LUMINAIRE WEIGHT	MIN/MAX OAH
RY1	14"	10 LBS	15"/144"
RY2	14"	10 LBS	18"/144"

PICF ships with one of three OAH's (48", 100" or 144") and is field adjustable to the desired height.



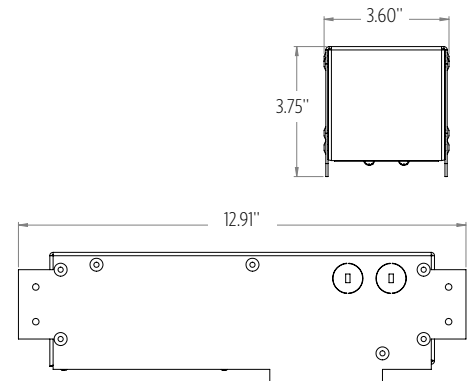
PIFE PENDANT WITH FLAT CANOPY, SINGLE SILVER POWER CORD; MOUNTS TO OCL RECESSED J-BOX (PROVIDED BY OCL)



MOUNTING INFORMATION CHART

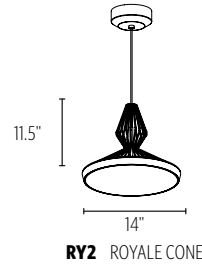
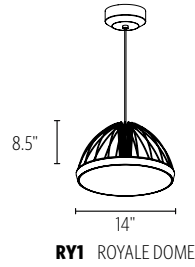
	LUMINAIRE DIAMETER	LUMINAIRE WEIGHT	MIN/MAX OAH
RY1	14"	10 LBS	15"/144"
RY2	14"	10 LBS	18"/144"

PIFE ships with one of three OAH's (48", 100" or 144") and is field adjustable to the desired height.



PROFILE VIEW
RECESSED JUNCTION BOX

SIZES



DIFFUSER



MW MATTE WHITE

FINISH

METALLIC POWDER COAT FINISHES:



SMP
SILVER



GRP
GRAPHITE



SGP
STEEL GRAY



GLP
GOLDTASTIC



BMP
BRASS



BNP
BRONZE

RAL, **Pantone**® or custom finishes are also available.

These colors are for reference only. Please be aware that colors may vary per monitor. Contact your local rep for finish samples or with any questions.

SOLID POWDER COAT FINISHES:



SWP
SKY WHITE



MWP
MATTE WHITE



BKP
BLACK

TEXTURED POWDER COAT FINISHES:



BTP
BLACK TEXTURED



WTP
WHITE TEXTURED

LIGHT SOURCE

LUMENS AND WATTAGE CHART		SIZE
		14"
LED1	LUMENS DELIVERED	1650
	SYSTEM WATTAGE	15
LED2	LUMENS DELIVERED	2750
	SYSTEM WATTAGE	25
LED3	LUMENS DELIVERED	3850
	SYSTEM WATTAGE	35

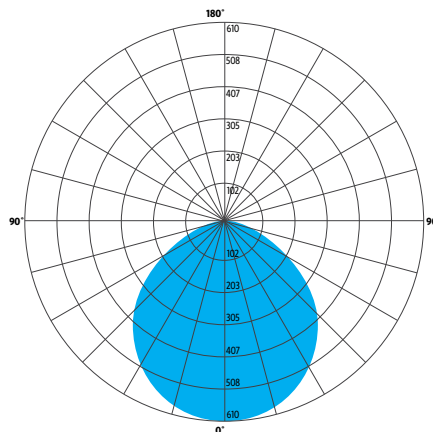
This chart was created for a 35K color temp. Multiply by 0.95 for 27k color temp, 0.97 for 30k color temp, and 1.03 for 40k color temp. Values shown for 80+ CRI. For 90+ CRI lumens use 0.85 multiplier.

PHOTOMETRY:

LUMINAIRE: RY1-XXXX-14-GW-XXX-LED2_35K-UNV
 COLOR TEMP #: 3500K
 EFFICACY: 110 LM/W
 TEST REPORT: TEST NO. 19811.0

STANDARD COLOR TEMPERATURE OPTIONS	CRI	
2700K	80+	90+
3000K	80+	90+
3500K	80+	90+
4000K	80+	90+

For 80+ CRI - 80 RA, R9 > 0 (10-15 TYP.); For 90+ CRI - 90 RA, R9 > 50



LUMEN MAINTENANCE

REPORTED: L70 AT >60,000 HRS
 CALCULATED: L70 AT 185,000 HRS
 REPORTED: L90 AT 54,000 HRS
 CALCULATED: L90 AT 54,000 HRS

Derived from EPA TM-21 calculator. Based on typical conditions. Consult the factory for additional details

ZONE	LUMENS	% OF LUMINAIRE
0-30	772	28%
0-60	2220	81%
0-90	2742	100%
90-180	0	0

CONTROL

DM1 0-10V DIMMING 1%

- 0-10V DIMMING
- 1% MINIMUM DIM LEVEL
- ELECTRONIC DRIVER
- POWER FACTOR >0.9
- THD <20%
- MINIMUM AMBIENT OPERATING TEMPERATURE -22°F
- FIELD REPLACEABLE

DM3 LUTRON HI-LUME ECOSYSTEM 1%

- LUTRON HI-LUME SOFT-ON, FADE-TO-BLACK 1%, ECOSYSTEM, LDE1
- ELECTRONIC DRIVER
- POWER FACTOR >0.9
- THD <20%
- MINIMUM AMBIENT OPERATING TEMPERATURE: -32°F
- FIELD REPLACEABLE

OPTIONS

ULD DAMP LABEL LUMINAIRE

- MAY BE USED IN A OUTDOOR AREA THAT IS PROTECTED FROM DIRECT CONTACT WITH WIND, RAIN, SNOW OR EXCESSIVE MOISTURE

MOD MODIFIED LUMINAIRE

- LUMINAIRE IS MODIFIED FROM STANDARD OPTIONS. CONTACT LOCAL REP FOR MORE INFORMATION

SPECIFICATIONS

CONSTRUCTION

- HOUSING IS DIE-CAST ALUMINUM
- DIFFUSER IS INJECTION-MOLDED WITH FROSTED SURFACE
- CANOPY IS SPUN ALUMINUM
- WIRE FORMS ARE .125" DIA. STEEL ROD
- HARDWARE IS ZINC PLATED OR STAINLESS STEEL

MOUNTING

- **PICF** MOUNTS TO 4X4" OCTAGON OR 4" ROUND J-BOX (BY OTHER)
- **PIFE** MOUNTS TO OCL PROPRIETARY RECESSED J-BOX (PROVIDED BY OCL)

ELECTRICAL

- DIMMING ELECTRONIC DRIVER(S), COMES STANDARD WITH 0-10V DOWN TO 1%
- OCL PROPRIETARY LED ARRAYS USE NICHIA 757 DIODES
- **FOR INTEGRAL DRIVERS:** LUMINAIRE CONNECTS TO BUILDING SUPPLY (120V-277V 50/60HZ)
- **FOR REMOTE DRIVERS:** LUMINAIRE WIRE LEADS ARE LOW-VOLTAGE. THE WIRES SHOULD BE CONNECTED TO OCL PROVIDED REMOTE DRIVER ENCLOSURE ONLY!

LISTING

- ETL LISTED TO UL 1598 FOR DRY LOCATIONS, DAMP LOCATION LISTED IS OPTION

WARRANTY

- 5 YEAR; ALL ELECTRICAL COMPONENTS RETAIN THE MANUFACTURER'S WARRANTY

SUSTAINABILITY

- THIS PRODUCT MEETS THE MATERIAL RESTRICTIONS OF ARTICLE 4 OF THE **ROHS** DIRECTIVE (2011/65/EU), INCLUDING COMMISSION DELEGATED DIRECTIVE 2015/863

COMMON MODIFICATIONS

WE'RE BUILT FOR OUT-OF-THE-BOX THINKERS.

Nearly 50% of OCL fixtures we manufacture have some type of modification. Here is a list of common modifications we frequently produce. **Please contact the factory for modifications specific to your fixture or project.**

Need some help? Simply send your questions to us at OCL-Quotes@ocl.com

- BIOS, TUNABLE WHITE, WARM-DIM, & RGBW LIGHT SOURCES
- SPECIFIC LUMEN OUTPUT
- MODIFIED CLUSTERS OR CONFIGURATIONS / MULTI-DROP CANOPIES
- VARIOUS SHAPES, ARCS, AND CURVES FOR LINEAR PROFILES AND RINGS
- CEILING OR SURFACE MOUNTING
- LARGE SCALE MODIFICATIONS
- RAL, PANTONE, BRAND-SPECIFIC, RETIRED OCL COLOR, OR CUSTOM FINISHES



- EMERGENCY BATTERY BACKUP OR INVERTER OPTIONS
- REMOTE DRIVERS / EXTENDED DISTANCE REMOTE DRIVERS
- DIMMING TO 0.1% (DIM TO DARK)
- NON-STANDARD SIZES OR LENGTHS
- NON-STANDARD CANOPY, BODY AND/OR CORD COLORS
- SEISMIC AND/OR ANTI-SWAY SYSTEMS
- RIGID STEMS
- MODIFIED OVERALL HEIGHTS (LONGER OR SHORTER OAH)
- UPLIGHT ADDITIONS
- LASER ETCHING, ENGRAVING, AND CUTOUTS

The drawings and specifications and ideas, designs and arrangements represented on these drawings are and shall remain the property of The Original Cast Lighting (OCL Architectural Lighting) and no part thereof shall be copied, disclosed, to others or used in conjunction with any work or project other than the specified project for which they have been prepared and developed, without written consent of OCL. Visual contact with these plans or specifications shall constitute conclusive evidence of acceptance of these restrictions. All specifications and information subject to change without notice.