

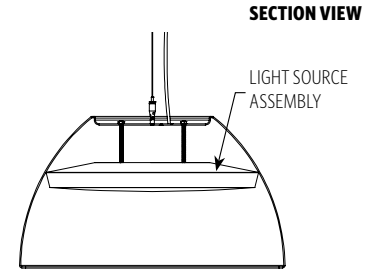


Nova™

PENDANT


FEATURES

- 18" 24" AND 36" DIAMETERS
- ALUMINUM OUTER SHADE WITH OPTIONAL TWO-TONE COLOR
- DIE-CAST ALUMINUM LIGHT SOURCE ASSEMBLY
- RECESSED PERFORMANCE DIFFUSER ALLOWS HIGH TRANSMISSION AND ZERO LED IMAGING
- FIELD REPLACEABLE LIGHT SOURCE ASSEMBLY AND DRIVERS
- 3 STEP LED BINNING



CATALOG CODES

NO1	-	B	-	C	-	MW	-	E	-	F	-	UNV	-	H	-	I	-	J
SERIES		HANGING SYSTEM		SIZE		DIFFUSER		OUTER FINISH / INNER FINISH		LIGHT SOURCE		VOLTAGE		OAH		CONTROL		OPTIONS

SPECIFY CATALOG CODE				
A	B	C	D	E
SERIES	HANGING SYSTEM	SIZE	DIFFUSER	OUTER FINISH/INNER FINISH*
 NO1 NOVA	P1FA PENDANT WITH SURFACE MOUNT CANOPY, SINGLE CENTER AIRCRAFT CABLE AND SILVER POWER CORD; MOUNTS TO 4X4 OCTAGON J-BOX (BY OTHERS)	18 36	MW MATTE WHITE	POWDER COAT FINISHES BKP BLACK BMP BRASS METALLIC BNP BRONZE BTP BLACK TEXTURED GRP GRAPHITE GLP GOLDTASTIC MWP MATTE WHITE SGP STEEL GRAY SMP SILVER METALLIC SWP SKY WHITE WTP WHITE TEXTURED
	P1FB PENDANT WITH FLAT CANOPY, SINGLE CENTER AIRCRAFT CABLE AND SILVER POWER CORD; MOUNTS TO OCL RECESSED J-BOX (PROVIDED BY OCL)			PREMIUM METAL FINISHES BAL BRUSHED ALUMINUM
	P1FI PENDANT WITH 5" FLAT CANOPY, SINGLE CENTER AIRCRAFT CABLE AND SILVER POWER CORD; REMOTE DRIVER ENCLOSURE; NOTE: REQUIRED FOR LED5			

F		G	H	I	J
LIGHT SOURCE		VOLTAGE	OAH**	CONTROL	OPTIONS
LED OUTPUT LED1 LED2 LED3 LED4 LED5***	COLOR TEMP 27K 30K 35K 40K	UNV 120-277	48 100 144	DM1 0-10V DIMMING 1% DM3 LUTRON HI-LUME ECOSYSTEM 1% (LDEI)	ULD DAMP LABEL MOD MODIFIED LUMINAIRE (CONTACT LOCAL REP)

SAMPLE CODE: NO1-P1FA-18-MW-BTP/GLP-LED1/27K-UNV-36-DM1

* Metal shade is available with an accent color on the inside surface; choose the same finish for outer and inner for single tone; **P1FA** canopy color will match the outer finish choice; **P1FB** and **P1FI** canopy color is **MWP**;
NOTE: BAL is unavailable in two-tone finish combinations

** For Minimum OAH, see hanging systems details. Fixture will ship with one of three standard OAH's (48", 100" or 144") field adjustable to the desired height.

***LED5 requires **P1FI** hanging system

 This product meets the material restrictions of Article 4 of the RoHS Directive (2011/65/EU), including Commission Delegated Directive 2015/863

UP TO **110** LM/W

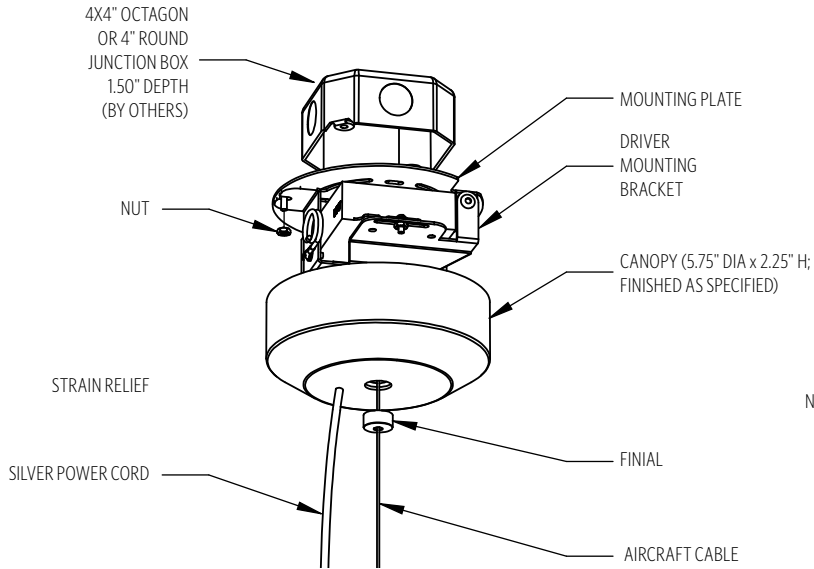
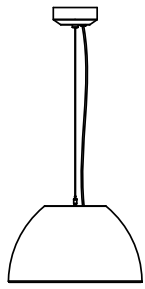
LUMENS AND WATTAGE CHART		18"	24"	36"
LED1	LUMENS DELIVERED	1530	1670	1670
	SYSTEM WATTAGE	15	15	15
LED2	LUMENS DELIVERED	2525	2755	2755
	SYSTEM WATTAGE	25	25	25
LED3	LUMENS DELIVERED	3560	3880	3880
	SYSTEM WATTAGE	35	35	35
LED4	LUMENS DELIVERED	5000	5500	5500
	SYSTEM WATTAGE	50	50	50
LED5	LUMENS DELIVERED	9500	10000	10000
	SYSTEM WATTAGE	85	100	100

This chart was created for a 35K color temp. Multiply by 0.95 for 27k color temp, 0.97 for 30k color temp, and 1.03 for 40k color temp.

MODS, NOTES, & COMMENTS

HANGING SYSTEM

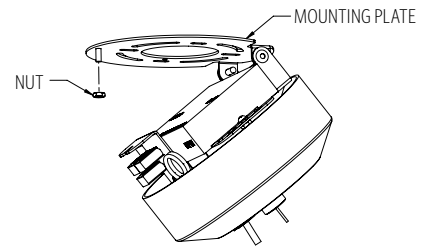
P1FA PENDANT WITH SURFACE MOUNT CANOPY, SINGLE CENTER AIRCRAFT CABLE AND SILVER POWER CORD; MOUNTS TO 4X4 OCTAGON J-BOX (BY OTHERS)



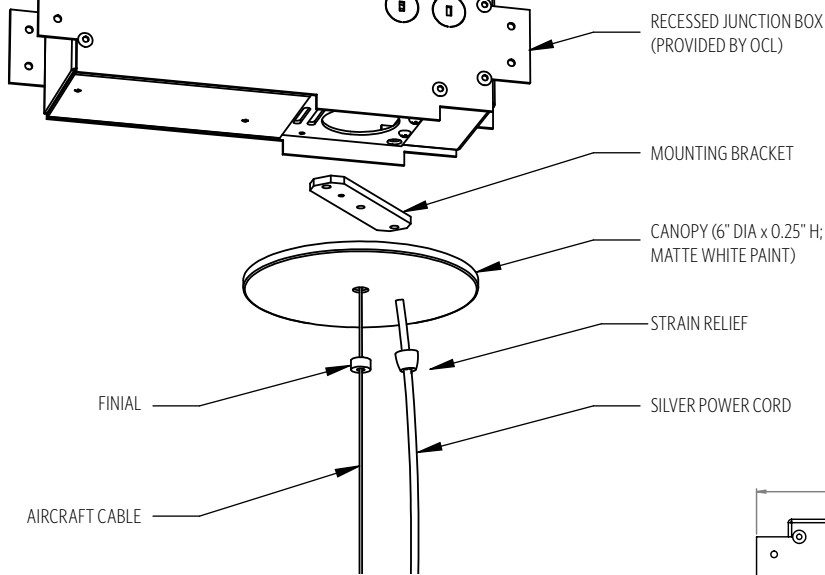
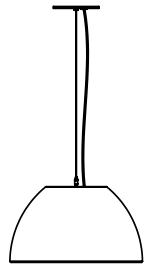
MOUNTING INFORMATION CHART

LUMINAIRE DIAMETER	LUMINAIRE WEIGHT	MIN/MAX OAH
18"	15 LBS	18"/144"
24"	20 LBS	21.5"/144"
36"	25 LBS	25"/144"

P1FA ships with one of three OAH's (48", 100" or 144") and is field adjustable to the desired height.



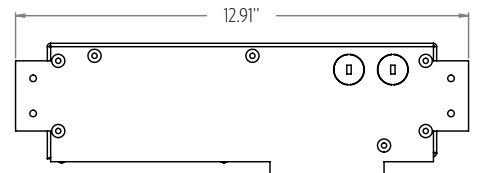
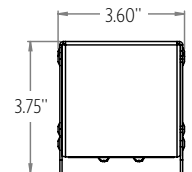
P1FB PENDANT WITH FLAT CANOPY, SINGLE CENTER AIRCRAFT CABLE AND SILVER POWER CORD; MOUNTS TO OCL RECESSED J-BOX (PROVIDED BY OCL)



MOUNTING INFORMATION CHART

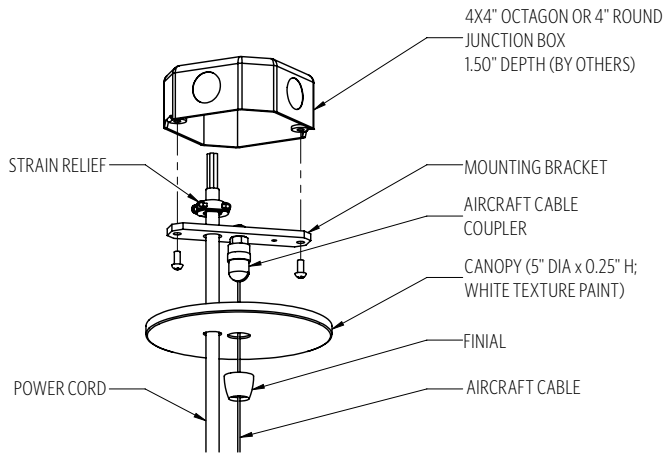
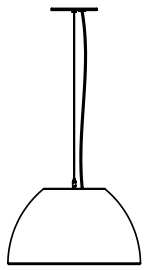
LUMINAIRE DIAMETER	LUMINAIRE WEIGHT	MIN/MAX OAH
18"	15 LBS	16"/144"
24"	20 LBS	19.5"/144"
36"	25 LBS	23"/144"

P1FB ships with one of three OAH's (48", 100" or 144") and is field adjustable to the desired height.



PROFILE VIEW
RECESSED JUNCTION BOX

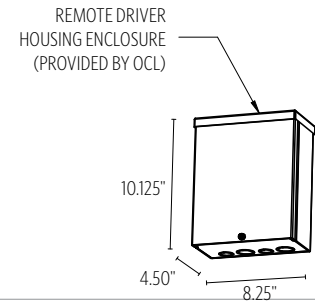
PIFI PENDANT WITH 5" FLAT CANOPY, SINGLE CENTER AIRCRAFT CABLE AND SILVER POWER CORD; REMOTE DRIVER ENCLOSURE; **NOTE:** REQUIRED FOR LED5



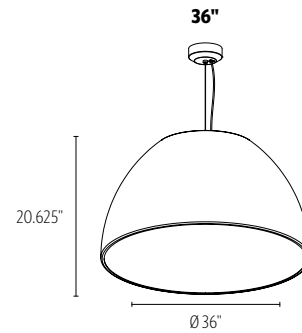
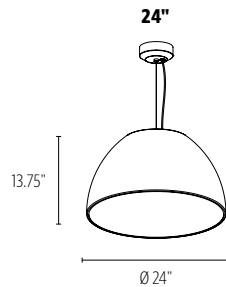
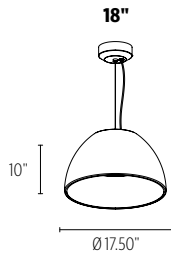
MOUNTING INFORMATION CHART

LUMINAIRE DIAMETER	LUMINAIRE WEIGHT	MIN/MAX OAH
18"	15 LBS	16"/144"
24"	20 LBS	19.5"/144"
36"	25 LBS	23"/144"

PIFI ships with one of three OAH's (48", 100" or 144") and is field adjustable to the desired height. PIFI will include ETL listed enclosure for remote mounting drivers. Max 30' distance from luminaire for DM1 and 10' max remote distance for DM3. Enclosure must remain accessible after installation.



SIZES



DIFFUSER



MW MATTE WHITE

FINISH

METALLIC POWDER COAT FINISHES:



SMP
SILVER



GRP
GRAPHITE



SGP
STEEL GRAY



GLP
GOLDTASTIC



BMP
BRASS



BNP
BRONZE

PREMIUM METAL FINISHES:



BAL
BRUSHED ALUMINUM

SOLID POWDER COAT FINISHES:



SWP
SKY WHITE



MWP
MATTE WHITE



BKP
BLACK

TEXTURED POWDER COAT FINISHES:



BTP
BLACK TEXTURED



WTP
WHITE TEXTURED

RAL®, Pantone® or custom finishes are also available.

These colors are for reference only. Please be aware that colors may vary per monitor. Contact your local rep for finish samples or with any questions.

LIGHT SOURCE

LUMENS AND WATTAGE CHART		18"	24"	36"
		LED1	LUMENS DELIVERED	1530
	SYSTEM WATTAGE	15	15	15
LED2	LUMENS DELIVERED	2525	2755	2755
	SYSTEM WATTAGE	25	25	25
LED3	LUMENS DELIVERED	3560	3880	3880
	SYSTEM WATTAGE	35	35	35
LED4	LUMENS DELIVERED	5000	5500	5500
	SYSTEM WATTAGE	50	50	50
LED5	LUMENS DELIVERED	9500	10000	10000
	SYSTEM WATTAGE	100	100	100

This chart was created for a 35K color temp. Multiply by 0.95 for 27k color temp, 0.97 for 30k color temp, and 1.03 for 40k color temp.

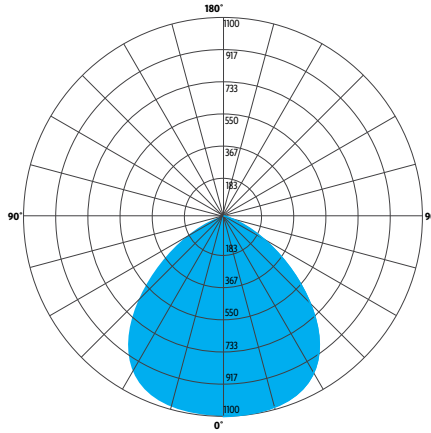
STANDARD COLOR TEMPERATURE OPTIONS	CRI
2700K	80+
3000K	80+
3500K	80+
4000K	80+

LUMEN MAINTENANCE

REPORTED:	L70 AT >60,000 HRS
CALCULATED:	L70 AT 185,000 HRS
REPORTED:	L90 AT 54,000 HRS
CALCULATED:	L90 AT 54,000 HRS

Derived from EPA TM-21 calculator. Based on typical conditions. Consult the factory for additional details

ZONE	LUMENS	% OF LUMINAIRE
0-30	1325	34%
0-60	3481	90%
0-90	3881	100%



PHOTOMETRY:

LUMINAIRE:	N01-PIFB-18-MW-BAL/BAL-LED3/35K-UNV-DMO
COLOR TEMP #:	3500K
OUTPUT:	3560
EFFICACY:	110 LM/W
TEST REPORT:	TEST NO. 20511.0

CONTROL

DM1 0-10V DIMMING 1%

- 0-10V DIMMING
- 1% MINIMUM DIM LEVEL
- ELECTRONIC DRIVER
- POWER FACTOR >0.9
- THD <20%
- MINIMUM AMBIENT OPERATING TEMPERATURE -31°F
- FIELD REPLACEABLE

DM3 LUTRON HI-LUME ECOSYSTEM 1%

- LUTRON HI-LUME SOFT-ON, FADE-TO-BLACK 1%, ECOSYSTEM, LDE1
- ELECTRONIC DRIVER
- POWER FACTOR >0.9
- THD <20%
- MINIMUM AMBIENT OPERATING TEMPERATURE: -32°F
- FIELD REPLACEABLE

OPTIONS

ULD DAMP LABEL LUMINAIRE

- MAY BE USED IN A OUTDOOR AREA THAT IS PROTECTED FROM DIRECT CONTACT WITH WIND, RAIN, SNOW OR EXCESSIVE MOISTURE

MOD MODIFIED LUMINAIRE

- LUMINAIRE IS MODIFIED FROM STANDARD OPTIONS. CONTACT LOCAL REP FOR MORE INFORMATION

SPECIFICATIONS

CONSTRUCTION

- OUTER SHADE IS SPUN ALUMINUM
- INTERNAL HOUSING IS DIE-CAST ALUMINUM
- DIFFUSER IS INJECTION-MOLDED WITH FROSTED SURFACE
- CANOPY IS SPUN ALUMINUM
- HARDWARE IS ZINC PLATED OR STAINLESS STEEL

MOUNTING

- PIFA MOUNTS TO 4X4" OCTAGON OR 4" ROUND J-BOX (BY OTHER)
- PIFB AND PIFI MOUNT TO OCL PROPRIETARY RECESSED J-BOX (PROVIDED BY OCL)

ELECTRICAL

- DIMMING ELECTRONIC DRIVER(S), COMES STANDARD WITH 0-10V DOWN TO 1%
- LUTRON (LDE1) ECOSYSTEM 1% ALSO AVAILABLE
- OCL PROPRIETARY LED ARRAYS USE NICHIA 757 DIODES
- LUMINAIRE CONNECTS TO BUILDING SUPPLY (120V-277V 50/60HZ) UNLESS DRIVERS ARE REMOTE

LISTING

- ETL LISTED TO UL 1598 FOR DRY LOCATIONS, DAMP LOCATION LISTED IS OPTION

WARRANTY

- 5 YEAR; ALL ELECTRICAL COMPONENTS RETAIN THE MANUFACTURER'S WARRANTY

SUSTAINABILITY

- THIS PRODUCT MEETS THE MATERIAL RESTRICTIONS OF ARTICLE 4 OF THE **ROHS** DIRECTIVE (2011/65/EU), INCLUDING COMMISSION DELEGATED DIRECTIVE 2015/863

The drawings and specifications and ideas, designs and arrangements represented on these drawings are and shall remain the property of The Original Cast Lighting (OCL Architectural Lighting) and no part thereof shall be copied, disclosed, to others or used in conjunction with any work or project other than the specified project for which they have been prepared and developed, without written consent of OCL. Visual contact with these plans or specifications shall constitute conclusive evidence of acceptance of these restrictions. All specifications and information subject to change without notice.