

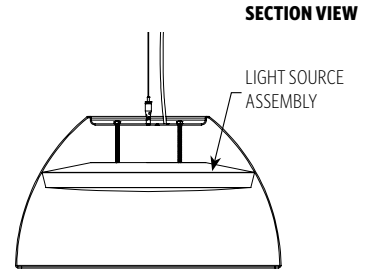


# Nova™

PENDANT

**FEATURES**

- 18" 24" AND 36" DIAMETERS
- ALUMINUM OUTER SHADE WITH OPTIONAL TWO-TONE COLOR
- DIE-CAST ALUMINUM LIGHT SOURCE ASSEMBLY
- RECESSED PERFORMANCE DIFFUSER ALLOWS HIGH TRANSMISSION AND ZERO LED IMAGING
- AVAILABLE IN 80+ CRI AND 90+ CRI (R9>50)
- FIELD REPLACEABLE LIGHT SOURCE ASSEMBLY AND DRIVERS
- 3 STEP LED BINNING



**CATALOG CODES**

|            |                |          |           |                             |              |            |          |          |          |
|------------|----------------|----------|-----------|-----------------------------|--------------|------------|----------|----------|----------|
| <b>NO1</b> | <b>B</b>       | <b>C</b> | <b>MW</b> | <b>E</b>                    | <b>F</b>     | <b>UNV</b> | <b>H</b> | <b>I</b> | <b>J</b> |
| SERIES     | HANGING SYSTEM | SIZE     | DIFFUSER  | OUTER FINISH / INNER FINISH | LIGHT SOURCE | VOLTAGE    | OAH      | CONTROL  | OPTIONS  |

| SPECIFY CATALOG CODE   |   |  |                              |   |
|------------------------|---|--|------------------------------|---|
| A                      | B   | C  | D                            | E   |
| SERIES                 | HANGING SYSTEM  | SIZE   | DIFFUSER                     | OUTER FINISH/INNER FINISH*  |
| <p><b>NO1</b> NOVA</p> | <p><b>P1FA</b> PENDANT WITH SURFACE MOUNT CANOPY, SINGLE CENTER AIRCRAFT CABLE AND SILVER POWER CORD; MOUNTS TO 4X4 OCTAGON J-BOX (BY OTHERS)</p> <p><b>P1FB</b> PENDANT WITH FLAT CANOPY, SINGLE CENTER AIRCRAFT CABLE AND SILVER POWER CORD; MOUNTS TO OCL RECESSED J-BOX (PROVIDED BY OCL)</p> <p><b>P1FI</b> PENDANT WITH 5" FLAT CANOPY, SINGLE CENTER AIRCRAFT CABLE AND SILVER POWER CORD; REMOTE DRIVER ENCLOSURE; <b>NOTE:</b> REQUIRED FOR LED5</p> | <p><b>18</b></p> <p><b>24</b></p> <p><b>36</b></p> | <p><b>MW</b> MATTE WHITE</p> | <p><b>POWDER COAT FINISHES</b></p> <p><b>BKP</b> BLACK</p> <p><b>BMP</b> BRASS METALLIC</p> <p><b>BNP</b> BRONZE</p> <p><b>BTP</b> BLACK TEXTURED</p> <p><b>GRP</b> GRAPHITE</p> <p><b>GLP</b> GOLDTASTIC</p> <p><b>MWP</b> MATTE WHITE</p> <p><b>SGP</b> STEEL GRAY</p> <p><b>SMP</b> SILVER METALLIC</p> <p><b>SWP</b> SKY WHITE</p> <p><b>WTP</b> WHITE TEXTURED</p> <p><b>PREMIUM METAL FINISHES</b></p> <p><b>BAL</b> BRUSHED ALUMINUM</p> |

| F LIGHT SOURCE   |   |   | G VOLTAGE                 | H OAH**  | I CONTROL   | J OPTIONS   |
|--|---|---|---------------------------|--|---|---|
| <p><b>LED OUTPUT</b></p> <p><b>LED1</b></p> <p><b>LED2</b></p> <p><b>LED3</b></p> <p><b>LED4</b></p> <p><b>LED5***</b></p> | <p><b>COLOR TEMP</b></p> <p>(80+ CRI)</p> <p><b>27K</b></p> <p><b>30K</b></p> <p><b>35K</b></p> <p><b>40K</b></p> | <p><b>COLOR TEMP</b></p> <p>(90+ CRI)</p> <p><b>927K</b></p> <p><b>930K</b></p> <p><b>935K</b></p> <p><b>940K</b></p> | <p><b>UNV</b> 120-277</p> | <p><b>48</b></p> <p><b>100</b></p> <p><b>144</b></p> | <p><b>DM1</b> 0-10V DIMMING 1%</p> <p><b>DM3</b> LUTRON HI-LUME ECOSYSTEM 1% (LDEI)</p> | <p><b>ULD</b> DAMP LABEL</p> <p><b>MOD</b> MODIFIED LUMINAIRE (CONTACT LOCAL REP)</p> |

**SAMPLE CODE: NO1-P1FA-18-MW-BTP/GLP-LED1/27K-UNV-36-DM1**

\* Metal shade is available with an accent color on the inside surface; choose the same finish for outer and inner for single tone; **P1FA** canopy color will match the outer finish choice; **P1FB** and **P1FI** canopy color is **MWP**; **NOTE: BAL** is unavailable in two-tone finish combinations

\*\* For Minimum OAH, see hanging systems details. Fixture will ship with one of three standard OAH's (48", 100" or 144") field adjustable to the desired height.

\*\*\*LED5 requires **P1FI** hanging system

UP TO **110** LM/W

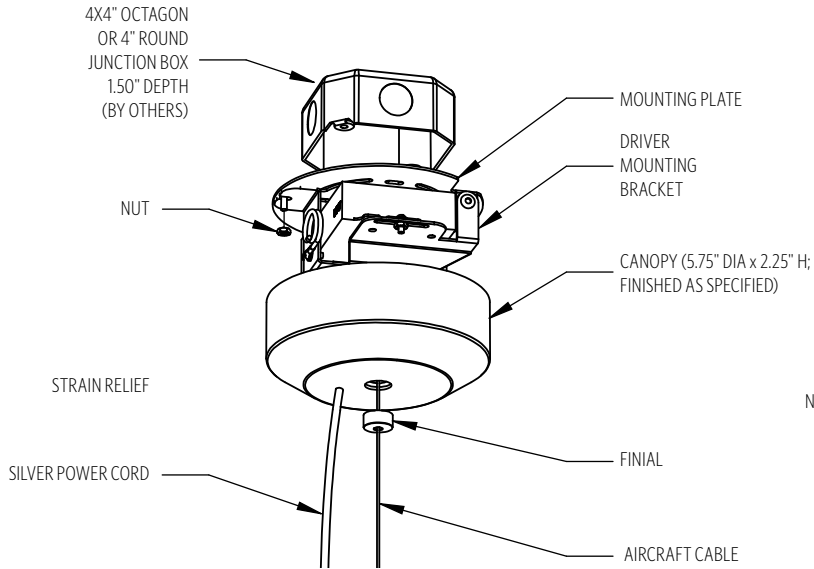
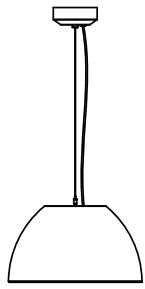
| LUMENS AND WATTAGE CHART |                  |      |       |       |
|--------------------------|------------------|------|-------|-------|
|                          |                  | 18"  | 24"   | 36"   |
| <b>LED1</b>              | LUMENS DELIVERED | 1530 | 1670  | 1670  |
|                          | SYSTEM WATTAGE   | 15   | 15    | 15    |
| <b>LED2</b>              | LUMENS DELIVERED | 2525 | 2755  | 2755  |
|                          | SYSTEM WATTAGE   | 25   | 25    | 25    |
| <b>LED3</b>              | LUMENS DELIVERED | 3560 | 3880  | 3880  |
|                          | SYSTEM WATTAGE   | 35   | 35    | 35    |
| <b>LED4</b>              | LUMENS DELIVERED | 5000 | 5500  | 5500  |
|                          | SYSTEM WATTAGE   | 50   | 50    | 50    |
| <b>LED5</b>              | LUMENS DELIVERED | 9500 | 10000 | 10000 |
|                          | SYSTEM WATTAGE   | 85   | 100   | 100   |

This chart was created for a 35K color temp. Multiply by 0.95 for 27k color temp, 0.97 for 30k color temp, and 1.03 for 40k color temp. Values shown for 80+ CRI. For 90+ CRI lumens use 0.85 multiplier.

**MODS, NOTES, & COMMENTS**

## HANGING SYSTEM

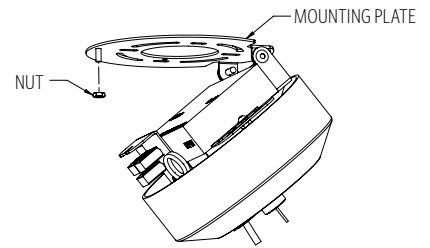
**P1FA** PENDANT WITH SURFACE MOUNT CANOPY, SINGLE CENTER AIRCRAFT CABLE AND SILVER POWER CORD; MOUNTS TO 4X4 OCTAGON J-BOX (BY OTHERS)



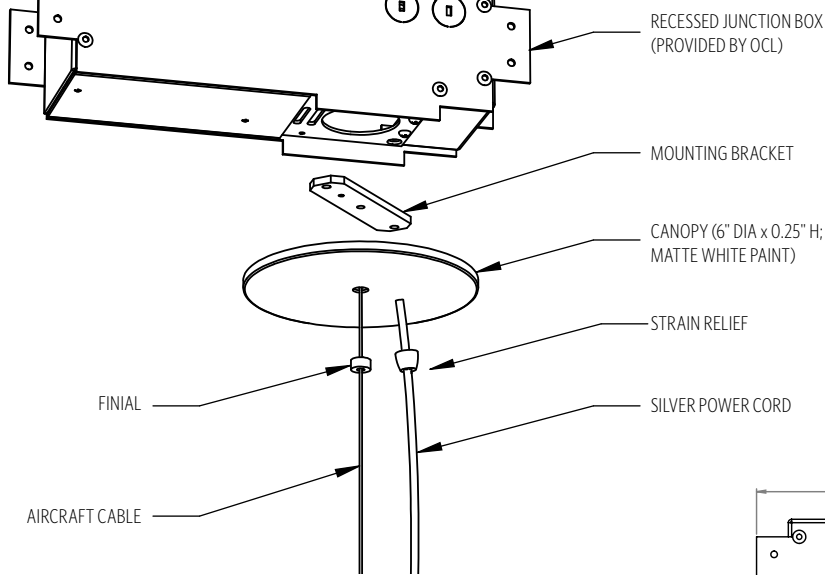
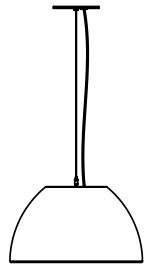
### MOUNTING INFORMATION CHART

| LUMINAIRE DIAMETER | LUMINAIRE WEIGHT | MIN/MAX OAH |
|--------------------|------------------|-------------|
| 18"                | 15 LBS           | 18"/144"    |
| 24"                | 20 LBS           | 21.5"/144"  |
| 36"                | 25 LBS           | 25"/144"    |

P1FA ships with one of three OAH's (48", 100" or 144") and is field adjustable to the desired height.



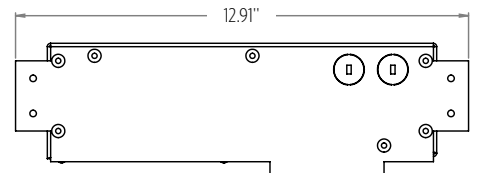
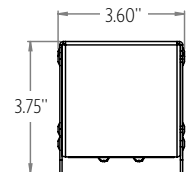
**P1FB** PENDANT WITH FLAT CANOPY, SINGLE CENTER AIRCRAFT CABLE AND SILVER POWER CORD; MOUNTS TO OCL RECESSED J-BOX (PROVIDED BY OCL)



### MOUNTING INFORMATION CHART

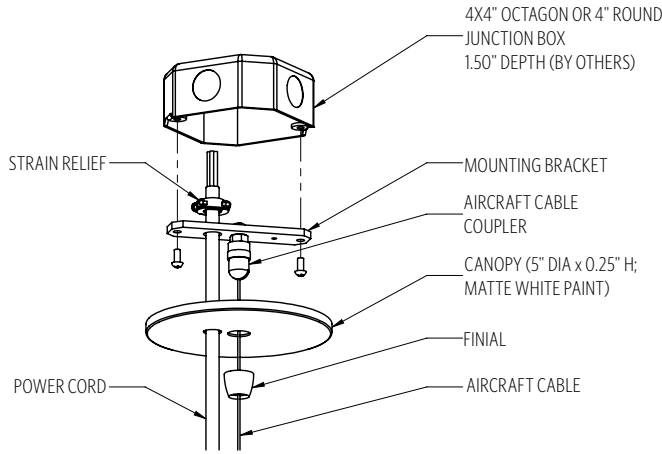
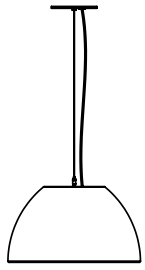
| LUMINAIRE DIAMETER | LUMINAIRE WEIGHT | MIN/MAX OAH |
|--------------------|------------------|-------------|
| 18"                | 15 LBS           | 16"/144"    |
| 24"                | 20 LBS           | 19.5"/144"  |
| 36"                | 25 LBS           | 23"/144"    |

P1FB ships with one of three OAH's (48", 100" or 144") and is field adjustable to the desired height.



**PROFILE VIEW**  
RECESSED JUNCTION BOX

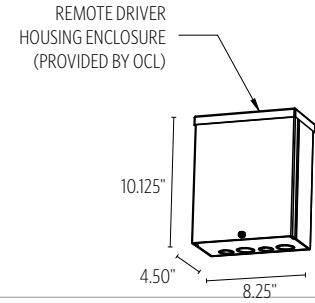
**PIFI** PENDANT WITH 5" FLAT CANOPY, SINGLE CENTER AIRCRAFT CABLE AND SILVER POWER CORD; REMOTE DRIVER ENCLOSURE; **NOTE:** REQUIRED FOR LED5



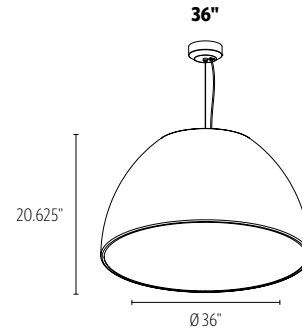
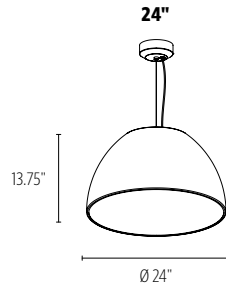
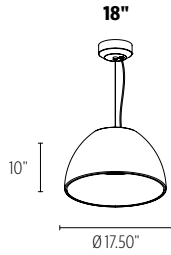
**MOUNTING INFORMATION CHART**

| LUMINAIRE DIAMETER | LUMINAIRE WEIGHT | MIN/MAX OAH |
|--------------------|------------------|-------------|
| 18"                | 15 LBS           | 16"/144"    |
| 24"                | 20 LBS           | 19.5"/144"  |
| 36"                | 25 LBS           | 23"/144"    |

PIFI ships with one of three OAH's (48", 100" or 144") and is field adjustable to the desired height. PIFI will include ETL listed enclosure for remote mounting drivers. Max 30' distance from luminaire for DM1 and 10' max remote distance for DM3. Enclosure must remain accessible after installation.



**SIZES**



**DIFFUSER**



**MW** MATTE WHITE

**FINISH**

**METALLIC POWDER COAT FINISHES:**



**SMP**  
SILVER



**GRP**  
GRAPHITE



**SGP**  
STEEL GRAY



**GLP**  
GOLDTASTIC



**BMP**  
BRASS



**BNP**  
BRONZE

**PREMIUM METAL FINISHES:**



**BAL**  
BRUSHED ALUMINUM

**SOLID POWDER COAT FINISHES:**



**SWP**  
SKY WHITE



**MWP**  
MATTE WHITE



**BKP**  
BLACK

**TEXTURED POWDER COAT FINISHES:**



**BTP**  
BLACK TEXTURED



**WTP**  
WHITE TEXTURED

**RAL®, Pantone® or custom finishes are also available.**

These colors are for reference only. Please be aware that colors may vary per monitor. Contact your local rep for finish samples or with any questions.

## LIGHT SOURCE

| LUMENS AND WATTAGE CHART |                  | 18"  | 24"   | 36"   |
|--------------------------|------------------|------|-------|-------|
| LED1                     | LUMENS DELIVERED | 1530 | 1670  | 1670  |
|                          | SYSTEM WATTAGE   | 15   | 15    | 15    |
| LED2                     | LUMENS DELIVERED | 2525 | 2755  | 2755  |
|                          | SYSTEM WATTAGE   | 25   | 25    | 25    |
| LED3                     | LUMENS DELIVERED | 3560 | 3880  | 3880  |
|                          | SYSTEM WATTAGE   | 35   | 35    | 35    |
| LED4                     | LUMENS DELIVERED | 5000 | 5500  | 5500  |
|                          | SYSTEM WATTAGE   | 50   | 50    | 50    |
| LED5                     | LUMENS DELIVERED | 9500 | 10000 | 10000 |
|                          | SYSTEM WATTAGE   | 100  | 100   | 100   |

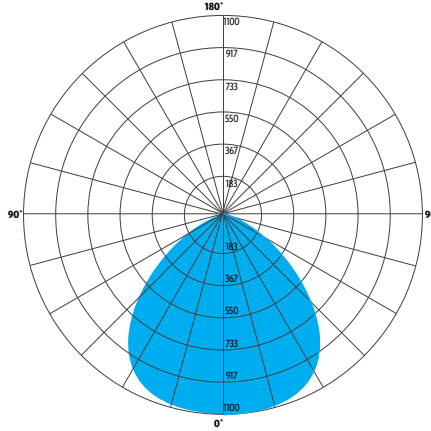
This chart was created for a 35K color temp. Multiply by 0.95 for 27k color temp, 0.97 for 30k color temp, and 1.03 for 40k color temp. Values shown for 80+ CRI. For 90+ CRI lumens use 0.85 multiplier.

### PHOTOMETRY:

LUMINAIRE: N01-PIFB-18-MW-BAL/BAL-LED3/35K-UNV-DMO  
 COLOR TEMP #: 3500K  
 OUTPUT: 3560  
 EFFICACY: 110 LM/W  
 TEST REPORT: TEST NO. 20511.0

| STANDARD COLOR TEMPERATURE OPTIONS | CRI |     |
|------------------------------------|-----|-----|
| 2700K                              | 80+ | 90+ |
| 3000K                              | 80+ | 90+ |
| 3500K                              | 80+ | 90+ |
| 4000K                              | 80+ | 90+ |

For 80+ CRI - 80 RA, R9 > 0 (10-15 TYP); For 90+ CRI - 90 RA, R9 > 50



### LUMEN MAINTENANCE

REPORTED: L70 AT >60,000 HRS  
 CALCULATED: L70 AT 185,000 HRS  
 REPORTED: L90 AT 54,000 HRS  
 CALCULATED: L90 AT 54,000 HRS

Derived from EPA TM-21 calculator. Based on typical conditions. Consult the factory for additional details

| ZONE | LUMENS | % OF LUMINAIRE |
|------|--------|----------------|
| 0-30 | 1325   | 34%            |
| 0-60 | 3481   | 90%            |
| 0-90 | 3881   | 100%           |

## CONTROL

### DM1 0-10V DIMMING 1%

- 0-10V DIMMING
- 1% MINIMUM DIM LEVEL
- ELECTRONIC DRIVER
- POWER FACTOR >0.9
- THD <20%
- MINIMUM AMBIENT OPERATING TEMPERATURE -31°F
- FIELD REPLACEABLE

### DM3 LUTRON HI-LUME ECOSYSTEM 1%

- LUTRON HI-LUME SOFT-ON, FADE-TO-BLACK 1%, ECOSYSTEM, LDE1
- ELECTRONIC DRIVER
- POWER FACTOR >0.9
- THD <20%
- MINIMUM AMBIENT OPERATING TEMPERATURE: -32°F
- FIELD REPLACEABLE

## OPTIONS

### ULD DAMP LABEL LUMINAIRE

- MAY BE USED IN A OUTDOOR AREA THAT IS PROTECTED FROM DIRECT CONTACT WITH WIND, RAIN, SNOW OR EXCESSIVE MOISTURE

### MOD MODIFIED LUMINAIRE

- LUMINAIRE IS MODIFIED FROM STANDARD OPTIONS. CONTACT LOCAL REP FOR MORE INFORMATION

## SPECIFICATIONS

### CONSTRUCTION

- OUTER SHADE IS SPUN ALUMINUM
- INTERNAL HOUSING IS DIE-CAST ALUMINUM
- DIFFUSER IS INJECTION-MOLDED WITH FROSTED SURFACE
- CANOPY IS SPUN ALUMINUM
- HARDWARE IS ZINC PLATED OR STAINLESS STEEL

### MOUNTING

- **PIFA** AND **PIFI** MOUNTS TO 4X4" OCTAGON OR 4" ROUND J-BOX (BY OTHER)
- **PIFB** MOUNT TO OCL PROPRIETARY RECESSED J-BOX (PROVIDED BY OCL)

### ELECTRICAL

- DIMMING ELECTRONIC DRIVER(S), COMES STANDARD WITH 0-10V DOWN TO 1%
- LUTRON (LDE1) ECOSYSTEM 1% ALSO AVAILABLE
- OCL PROPRIETARY LED ARRAYS USE NICHIA 757 DIODES
- LUMINAIRE CONNECTS TO BUILDING SUPPLY (120V-277V 50/60HZ) UNLESS DRIVERS ARE REMOTE

### LISTING

- ETL LISTED TO UL 1598 FOR DRY LOCATIONS, DAMP LOCATION LISTED IS OPTION

### WARRANTY

- 5 YEAR; ALL ELECTRICAL COMPONENTS RETAIN THE MANUFACTURER'S WARRANTY

### SUSTAINABILITY

- THIS PRODUCT MEETS THE MATERIAL RESTRICTIONS OF ARTICLE 4 OF THE **ROHS** DIRECTIVE (2011/65/EU), INCLUDING COMMISSION DELEGATED DIRECTIVE 2015/863

The drawings and specifications and ideas, designs and arrangements represented on these drawings are and shall remain the property of The Original Cast Lighting (OCL Architectural Lighting) and no part thereof shall be copied, disclosed, to others or used in conjunction with any work or project other than the specified project for which they have been prepared and developed, without written consent of OCL. Visual contact with these plans or specifications shall constitute conclusive evidence of acceptance of these restrictions. All specifications and information subject to change without notice.