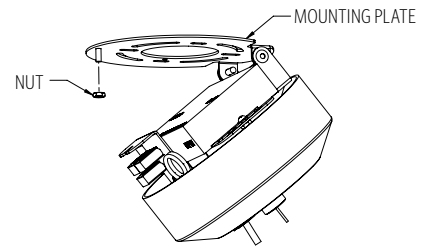
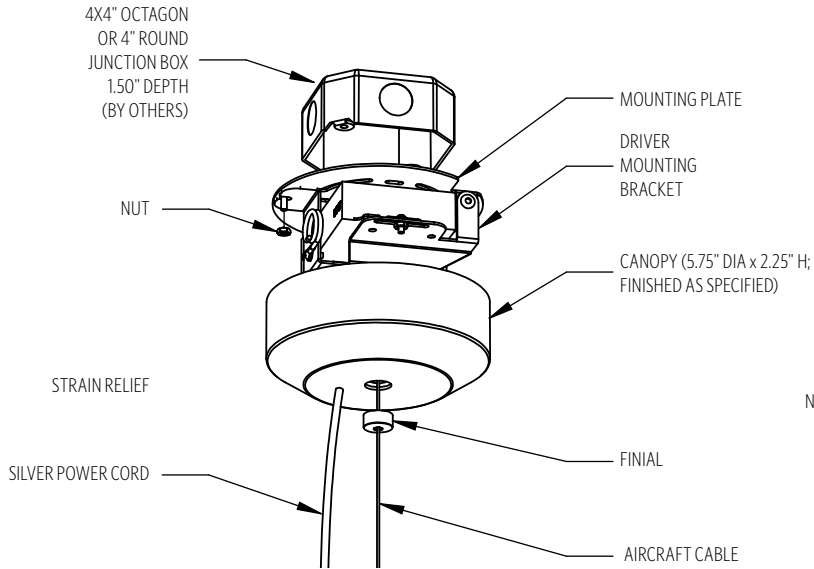
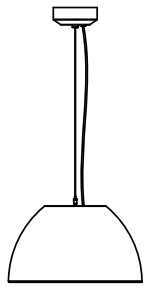




## HANGING SYSTEM

**P1FA** PENDANT WITH SURFACE MOUNT CANOPY, SINGLE CENTER AIRCRAFT CABLE AND SILVER POWER CORD; MOUNTS TO 4X4 OCTAGON J-BOX (BY OTHERS)

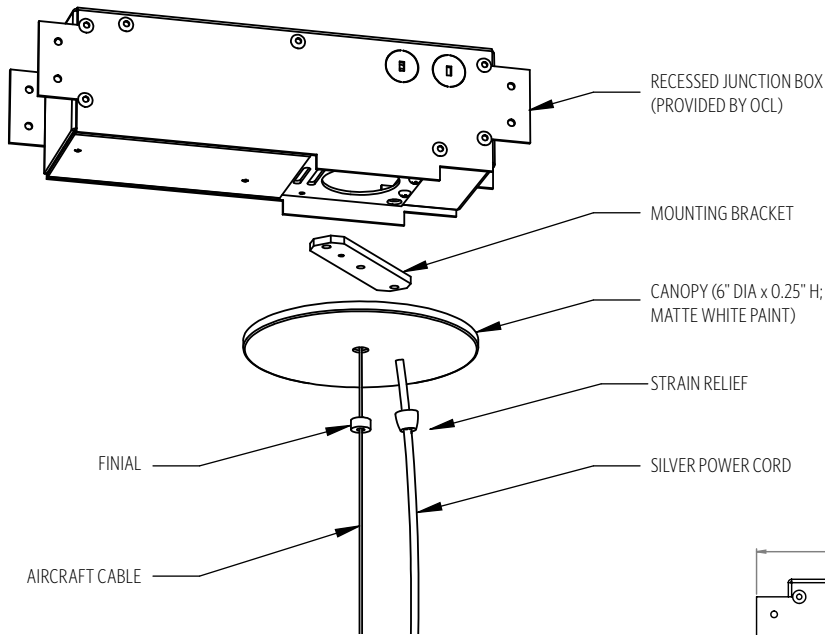
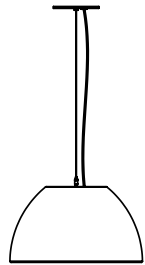


### MOUNTING INFORMATION CHART

LUMINAIRE DIAMETER	LUMINAIRE WEIGHT	MIN/MAX OAH
18"	15 LBS	18"/144"
24"	20 LBS	21.5"/144"
36"	25 LBS	25"/144"

P1FA ships with one of three OAH's (48", 100" or 144") and is field adjustable to the desired height.

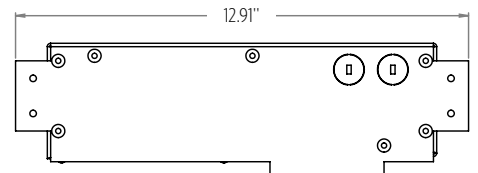
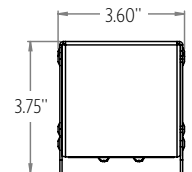
**P1FB** PENDANT WITH FLAT CANOPY, SINGLE CENTER AIRCRAFT CABLE AND SILVER POWER CORD; MOUNTS TO OCL RECESSED J-BOX (PROVIDED BY OCL)



### MOUNTING INFORMATION CHART

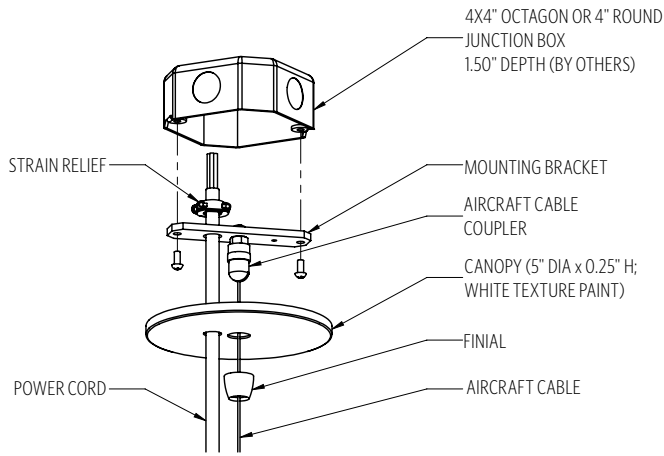
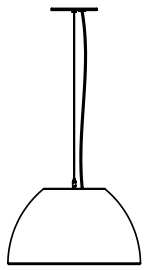
LUMINAIRE DIAMETER	LUMINAIRE WEIGHT	MIN/MAX OAH
18"	15 LBS	16"/144"
24"	20 LBS	19.5"/144"
36"	25 LBS	23"/144"

P1FB ships with one of three OAH's (48", 100" or 144") and is field adjustable to the desired height.



**PROFILE VIEW**  
RECESSED JUNCTION BOX

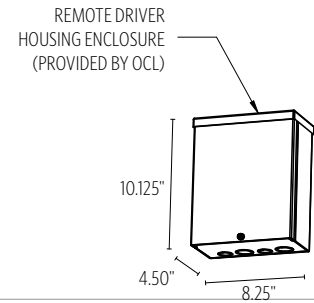
**P1FI** PENDANT WITH 5" FLAT CANOPY, SINGLE CENTER AIRCRAFT CABLE AND SILVER POWER CORD; REMOTE DRIVER ENCLOSURE; **NOTE:** REQUIRED FOR LED5



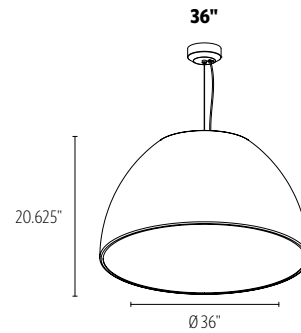
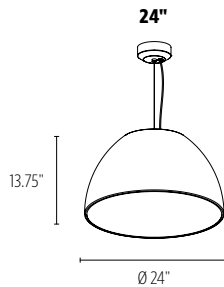
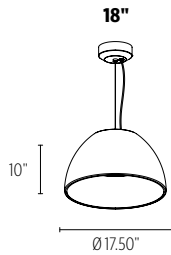
**MOUNTING INFORMATION CHART**

LUMINAIRE DIAMETER	LUMINAIRE WEIGHT	MIN/MAX OAH
18"	15 LBS	16"/144"
24"	20 LBS	19.5"/144"
36"	25 LBS	23"/144"

P1FI ships with one of three OAH's (48", 100" or 144") and is field adjustable to the desired height. P1FI will include ETL listed enclosure for remote mounting drivers. Max 30' distance from luminaire for DM1 and 10' max remote distance for DM3. Enclosure must remain accessible after installation.



**SIZES**



**DIFFUSER**



**MW** MATTE WHITE

**FINISH**

**METALLIC POWDER COAT FINISHES:**



**SMP**  
SILVER



**GRP**  
GRAPHITE



**SGP**  
STEEL GRAY



**GLP**  
GOLDTASTIC



**CMP**  
COPPER



**BMP**  
BRASS



**BNP**  
BRONZE



**BAL**  
BRUSHED ALUMINUM

**SOLID POWDER COAT FINISHES:**



**SWP**  
SKY WHITE



**MWP**  
MATTE WHITE



**BKP**  
BLACK

**TEXTURED POWDER COAT FINISHES:**



**BTP**  
BLACK TEXTURED



**WTP**  
WHITE TEXTURED

**PREMIUM METAL FINISHES:**

**RAL®, Pantone® or custom finishes are also available.**

These colors are for reference only. Please be aware that colors may vary per monitor. Contact your local rep for finish samples or with any questions.

## LIGHT SOURCE

LUMENS AND WATTAGE CHART		18"	24"	36"
		<b>LED1</b>	LUMENS DELIVERED	1530
	SYSTEM WATTAGE	15	15	15
<b>LED2</b>	LUMENS DELIVERED	2525	2755	2755
	SYSTEM WATTAGE	25	25	25
<b>LED3</b>	LUMENS DELIVERED	3560	3880	3880
	SYSTEM WATTAGE	35	35	35
<b>LED4</b>	LUMENS DELIVERED	5000	5500	5500
	SYSTEM WATTAGE	50	50	50
<b>LED5</b>	LUMENS DELIVERED	9500	10000	10000
	SYSTEM WATTAGE	100	100	100

This chart was created for a 35K color temp. Multiply by 0.95 for 27k color temp, 0.97 for 30k color temp, and 1.03 for 40k color temp.

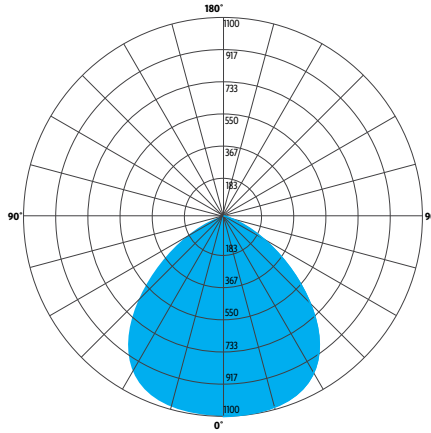
STANDARD COLOR TEMPERATURE OPTIONS	CRI
2700K	80+
3000K	80+
3500K	80+
4000K	80+

### LUMEN MAINTENANCE

REPORTED:	L70 AT >60,000 HRS
CALCULATED:	L70 AT 185,000 HRS
REPORTED:	L90 AT 54,000 HRS
CALCULATED:	L90 AT 54,000 HRS

Derived from EPA TM-21 calculator. Based on typical conditions. Consult the factory for additional details

ZONE	LUMENS	% OF LUMINAIRE
0-30	1325	34%
0-60	3481	90%
0-90	3881	100%



### PHOTOMETRY:

LUMINAIRE:	N01-PIFB-18-MW-BAL/BAL-LED3/35K-UNV-DMO
COLOR TEMP #:	3500K
OUTPUT:	3560
EFFICACY:	110 LM/W
TEST REPORT:	TEST NO. 20511.0

## CONTROL

### DM1 0-10V DIMMING 1%

- 0-10V DIMMING
- 1% MINIMUM DIM LEVEL
- ELECTRONIC DRIVER
- POWER FACTOR >0.9
- THD <20%
- MINIMUM AMBIENT OPERATING TEMPERATURE -31°F
- FIELD REPLACEABLE

### DM3 LUTRON HI-LUME ECOSYSTEM 1%

- LUTRON HI-LUME SOFT-ON, FADE-TO-BLACK 1%, ECOSYSTEM, LDE1
- ELECTRONIC DRIVER
- POWER FACTOR >0.9
- THD <20%
- MINIMUM AMBIENT OPERATING TEMPERATURE: -32°F
- FIELD REPLACEABLE

## OPTIONS

### ULD DAMP LABEL LUMINAIRE

- MAY BE USED IN A OUTDOOR AREA THAT IS PROTECTED FROM DIRECT CONTACT WITH WIND, RAIN, SNOW OR EXCESSIVE MOISTURE

### MOD MODIFIED LUMINAIRE

- LUMINAIRE IS MODIFIED FROM STANDARD OPTIONS. CONTACT LOCAL REP FOR MORE INFORMATION

## SPECIFICATIONS

### CONSTRUCTION

- OUTER SHADE IS SPUN ALUMINUM
- INTERNAL HOUSING IS DIE-CAST ALUMINUM
- DIFFUSER IS INJECTION-MOLDED WITH FROSTED SURFACE
- CANOPY IS SPUN ALUMINUM
- HARDWARE IS ZINC PLATED OR STAINLESS STEEL

### MOUNTING

- PIFA MOUNTS TO 4X4" OCTAGON OR 4" ROUND J-BOX (BY OTHER)
- PIFB AND PIFI MOUNT TO OCL PROPRIETARY RECESSED J-BOX (PROVIDED BY OCL)

### ELECTRICAL

- DIMMING ELECTRONIC DRIVER(S), COMES STANDARD WITH 0-10V DOWN TO 1%
- LUTRON (LDE1) ECOSYSTEM 1% ALSO AVAILABLE
- OCL PROPRIETARY LED ARRAYS USE NICHIA 757 DIODES
- LUMINAIRE CONNECTS TO BUILDING SUPPLY (120V-277V 50/60HZ) UNLESS DRIVERS ARE REMOTE

### LISTING

- ETL LISTED TO UL 1598 FOR DRY LOCATIONS, DAMP LOCATION LISTED IS OPTION

### WARRANTY

- 5 YEAR; ALL ELECTRICAL COMPONENTS RETAIN THE MANUFACTURER'S WARRANTY

### SUSTAINABILITY

- THIS PRODUCT MEETS THE MATERIAL RESTRICTIONS OF ARTICLE 4 OF THE **ROHS** DIRECTIVE (2011/65/EU), INCLUDING COMMISSION DELEGATED DIRECTIVE 2015/863

The drawings and specifications and ideas, designs and arrangements represented on these drawings are and shall remain the property of The Original Cast Lighting (OCL Architectural Lighting) and no part thereof shall be copied, disclosed, to others or used in conjunction with any work or project other than the specified project for which they have been prepared and developed, without written consent of OCL. Visual contact with these plans or specifications shall constitute conclusive evidence of acceptance of these restrictions. All specifications and information subject to change without notice.