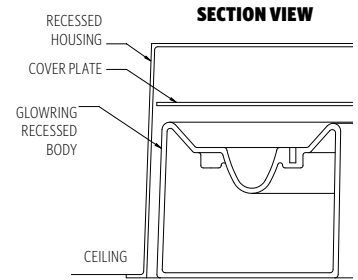


# Glowring™

RECESSED

**FEATURES**

- AVAILABLE IN 80+ CRI AND 90+ CRI (R9>50)
- SEAMLESS ONE PIECE MOLDED DIFFUSER
- FULLY ENCLOSED TOP SURFACE TO MINIMIZE ACCUMULATION OF DUST AND DEBRIS
- MINIMAL LUMINAIRE CROSS SECTION SIZE
- MOUNTING OPTIONS FOR GRID OR HARD CEILING
- FIELD REPLACEABLE LEDS AND DRIVERS
- 3 STEP LED BINNING

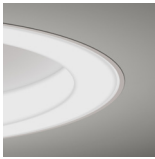


**Declare.**



**CATALOG CODES**

<b>GL1</b>	-	<b>C1NB</b>	-	<b>C</b>	-	<b>MW</b>	-	<b>E</b>	-	<b>I</b>	-	<b>J</b>		
SERIES		HANGING SYSTEM		SIZE		DIFFUSER		FINISH		VOLTAGE		CONTROL		OPTIONS

SPECIFY CATALOG CODE		C		D		E	
A	B	SIZE	DIFFUSER	FINISH*			
 <b>GL1</b> GLOWRING	<b>C1NB</b> RECESSED CEILING MOUNT	<b>24</b> <b>36</b> <b>48</b>	<b>MW</b> MATTE WHITE	<b>POWDER COAT FINISHES</b> <b>BKP</b> BLACK <b>MWP</b> MATTE WHITE <b>BMP</b> BRASS METALLIC <b>SGP</b> STEEL GRAY <b>BNP</b> BRONZE <b>SMP</b> SILVER METALLIC <b>BTP</b> BLACK TEXTURED <b>SWP</b> SKY WHITE <b>GRP</b> GRAPHITE <b>WTP</b> WHITE TEXTURED <b>GLP</b> GOLDTASTIC			
				<b>PREMIUM METAL FINISHES</b> <b>BAL</b> BRUSHED ALUMINUM			

F			G	H		I	
LIGHT SOURCE			VOLTAGE	CONTROL		OPTIONS	
<b>LED OUTPUT</b>	<b>COLOR TEMP</b> (80+ CRI)	<b>COLOR TEMP</b> (90+ CRI)	<b>UNV</b> 120-277	<b>DM1</b> 0-10V DIMMING 1%	<b>ULD</b> DAMP LABEL		<b>BIOS</b> BIOS SKYBLUE® OR BIOS SKYBLUE® DYNAMIC LIGHT ENGINE**
<b>LED1</b>	<b>27K</b>	<b>927K</b>		<b>DM3</b> LUTRON HI-LUME ECOSYSTEM 1% (LDE1)	<b>MOD</b> MODIFIED LUMINAIRE (CONTACT LOCAL REP)		
<b>LED2</b>	<b>30K</b>	<b>930K</b>					
	<b>35K</b>	<b>935K</b>					
	<b>40K</b>	<b>940K</b>					

**SAMPLE CODE: GL1-C1NB-36-MW-MWP-LED1/35K-UNV-DM1**

\*Finish choice is for the cover plate inside of the diffuser opening ; visible trim on the housing is matte white paint (MWP)

\*\*Contact factory for BIOS SkyBlue® or BIOS SkyBlue® Dynamic light engine and control options.

UP TO **84** LM/W

**LUMENS AND WATTAGE CHART**

		24"	36"	48"
<b>LED1</b>	LUMENS DELIVERED	2940	4620	5900
	SYSTEM WATTAGE	35	55	70
<b>LED2</b>	LUMENS DELIVERED	4620	7140	10120
	SYSTEM WATTAGE	55	85	115

This chart was created for a 35K color temp. Multiply by 0.93 for 27k color temp, 0.97 for 30k color temp, and 1.01 for 40k color temp.

Values shown for 80+ CRI. For 90+ CRI lumens use 0.85 multiplier.

**MODS, NOTES, & COMMENTS**

# HANGING SYSTEM

## C1NB RECESSED CEILING MOUNT



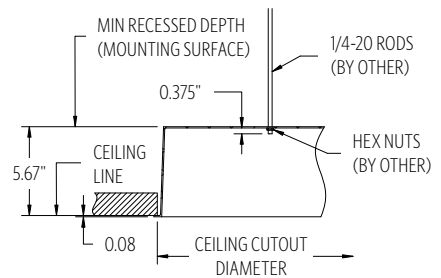
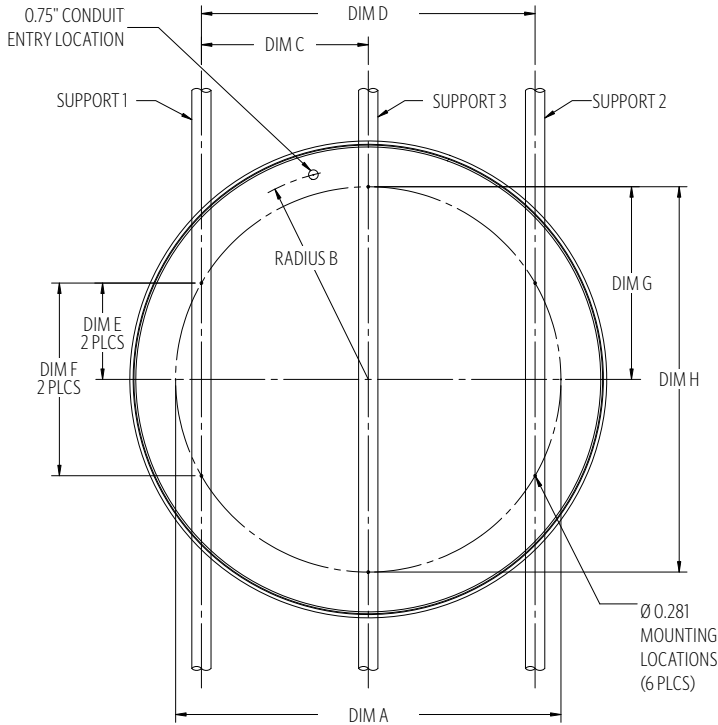
### MOUNTING INFORMATION CHART

LUMINAIRE DIAMETER	LUMINAIRE WEIGHT	DIM A	RADIUS B	SUPPORT POSITIONS		MOUNTING HOLE POSITIONS				CEILING CUTOUT DIA. (+/- 0.125)	
				DIM C	DIM D	DIM E	DIM F	DIM G	DIM H		MOUNTING POINTS
<b>24"</b>	16 LBS	16"	10"	5.66"	11.31"	5.66"	11.31"	-	-	4	25.125"
<b>36"</b>	28 LBS	28"	16"	9.9"	19.8"	9.9"	19.8"	-	-	4	37.125"
<b>48"</b>	60 LBS	40"	22"	17.32"	34.64"	10"	20"	20"	40"	6	49.125"

**24" & 36"** USE SUPPORT 1 & 2 ONLY; HAS 4x 0.281 MOUNTING LOCATIONS SPACED AT 90°

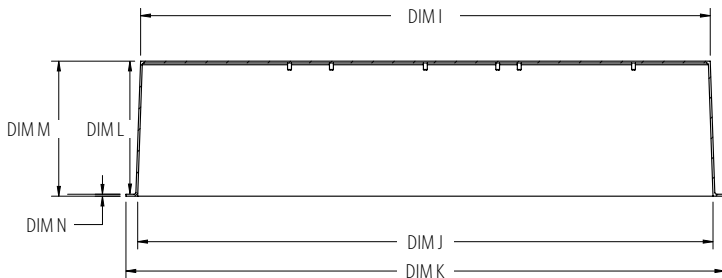
**48"** USES ALL 3 SUPPORTS; HAS 6x 0.281 MOUNTING LOCATIONS SPACED AT 60°

### TOP VIEW

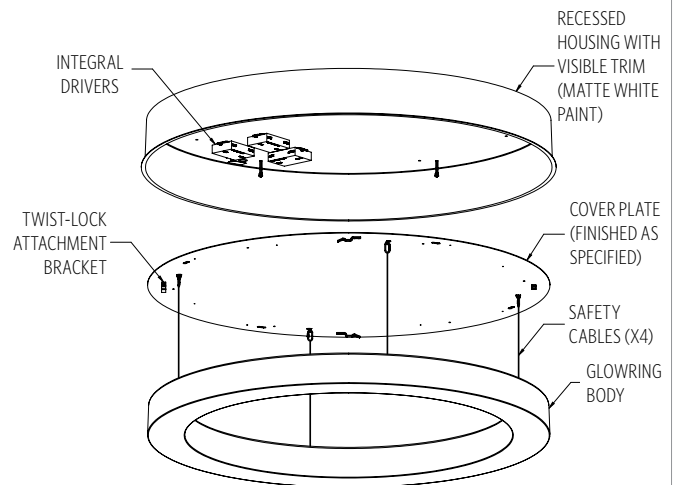


**NOTE:** GLOWRING RECESSED CAN BE MOUNTED TO A GRID OR HARD CEILING. THERE ARE PROVISIONS IN THE RECESSED HOUSING FOR 0.75" CONDUIT CONNECTIVITY. FOR DETAILED INSTALLATION INFORMATION REFER TO OCL INSTALLATION INSTRUCTIONS FOR GLOWRING RECESSED.

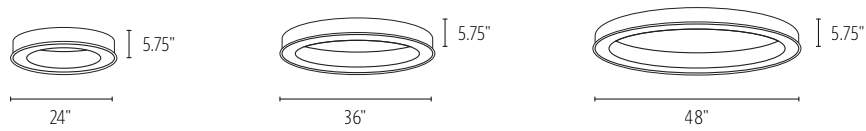
### SIDE VIEW



LUMINAIRE DIAMETER	DIM I	DIM J	DIM K	DIM L	DIM M	DIM N
<b>24"</b>	Ø 24.259"	Ø 24.5"	Ø 25.5"	5.670"	5.750"	0.080"
<b>36"</b>	Ø 36.259"	Ø 36.5"	Ø 37.5"	5.670"	5.750"	0.080"
<b>48"</b>	Ø 48.259"	Ø 48.5"	Ø 49.5"	5.670"	5.750"	0.080"



## SIZES



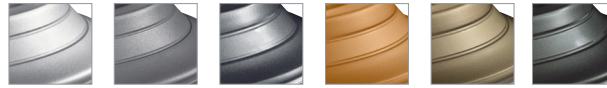
## DIFFUSER



**MWP**  
MATTE  
WHITE

## FINISH

### METALLIC POWDER COAT FINISHES:



**SMP** SILVER    **GRP** GRAPHITE    **SGP** STEEL GRAY    **GLP** GOLDTASTIC    **BMP** BRASS    **BNP** BRONZE

### PREMIUM METAL FINISHES:



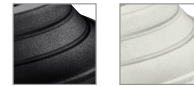
**BAL**  
BRUSHED  
ALUMINUM

### SOLID POWDER COAT FINISHES:



**SWP** SKY WHITE    **MWP** MATTE WHITE    **BKP** BLACK

### TEXTURED POWDER COAT FINISHES:



**BTP** BLACK TEXTURED    **WTP** WHITE TEXTURED

**RAL®, Pantone® or custom finishes are also available.**

These colors are for reference only. Please be aware that colors may vary per monitor. Contact your local rep for finish samples or with any questions.

## LIGHT SOURCE

### LUMENS AND WATTAGE CHART

		24"	36"	48"
<b>LED1</b>	LUMENS DELIVERED	2940	4620	5900
	SYSTEM WATTAGE	35	55	70
<b>LED2</b>	LUMENS DELIVERED	4620	7140	10120
	SYSTEM WATTAGE	55	85	115

This chart was created for a 35K color temp. Multiply by 0.95 for 27k color temp, 0.97 for 30k color temp, and 1.03 for 40k color temp.

Values shown for 80+ CRI. For 90+ CRI lumens use 0.85 multiplier.

STANDARD COLOR TEMPERATURE OPTIONS	CRI (RA)	
	2700K	80+
3000K	80+	90+
3500K	80+	90+
4000K	80+	90+

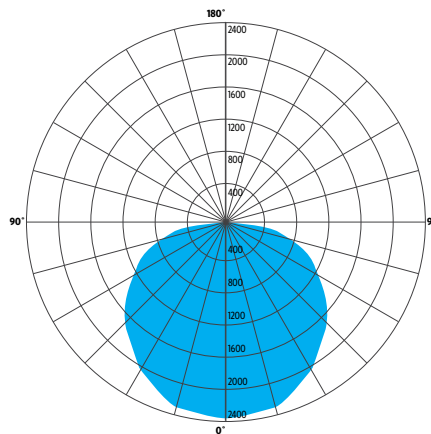
### LUMEN MAINTENANCE

REPORTED:	L70 AT >60,000 HRS
CALCULATED:	L70 AT 182,000 HRS
REPORTED:	L90 AT 53,000 HRS
CALCULATED:	L90 AT 53,000 HRS

Derived from EPA TM-21 calculator. Based on typical conditions. Consult the factory for additional details

### PHOTOMETRY:

LUMINAIRE:	GL1-C1NB-48-MW-MWP-LED2-35K-UNV-DMO
COLOR TEMP #:	3500K
OUTPUT:	10120
EFFICACY:	84 LM/W
TEST REPORT:	TEST NO. 20515.0



ZONE	LUMENS	% OF LUMINAIRE
0-30	1823	23%
0-60	5550	70%
0-90	7897	100%

## CONTROL

### DM1 0-10V DIMMING 1%

- 0-10V DIMMING
- 1% MINIMUM DIM LEVEL
- ELECTRONIC DRIVER
- POWER FACTOR >0.9
- THD <20%
- MINIMUM AMBIENT OPERATING TEMPERATURE -22°F
- FIELD REPLACEABLE

### DM3 LUTRON HI-LUME ECOSYSTEM 1% (LDE1)

- LUTRON HI-LUME SOFT-ON, FADE-TO-BLACK 1%, ECOSYSTEM, LDE1
- ELECTRONIC DRIVER
- POWER FACTOR >0.9
- THD <20%
- MINIMUM AMBIENT OPERATING TEMPERATURE: -32°F
- FIELD REPLACEABLE

## OPTIONS

### ULD DAMP LABEL LUMINAIRE

- MAY BE USED IN AN OUTDOOR AREA THAT IS PROTECTED FROM DIRECT CONTACT WITH WIND, RAIN, SNOW OR EXCESSIVE MOISTURE

### MOD MODIFIED LUMINAIRE

- LUMINAIRE IS MODIFIED FROM STANDARD OPTIONS. CONTACT LOCAL REP FOR MORE INFORMATION

### BIOS

- BIOS SKYBLUE™** DYNAMIC LIGHT ENGINE IS DIMMABLE AND FEATURES A SIMPLE APPROACH TO CIRCADIAN LIGHTING CONTROLS.
- WHEN PAIRED WITH THE BIOS BIO-DIMMING MODULE, IT OPERATES USING ANY SINGLE CHANNEL CONSTANT CURRENT (CC) LED DRIVER AND CAN BE USED WITH ANY STANDARD DIMMING INTERFACE/PROTOCOL (0-10V, ELV, DMX, WIRELESS) AND COULD WORK WITH EXISTING TWO-CHANNEL CONTROL SYSTEMS AS WELL.
- VISIT [OCL.COM/BIOS](https://www.ocll.com/bios) FOR MORE INFORMATION

## SPECIFICATIONS

### CONSTRUCTION

- RECESSED HOUSING IS ALUMINUM MATTE WHITE POWDER COAT PAINT
- COVER PLATE IS FABRICATED FROM ALUMINUM FINISHED AS SPECIFIED
- DIFFUSER IS MOLDED IN ONE PIECE WITHOUT VISIBLE SEAMS OR JOINTS
- LED REFLECTOR ASSEMBLY IS MATTE ANODIZED ALUMINUM
- HARDWARE IS ZINC PLATED OR STAINLESS STEEL

### ELECTRICAL

- DIMMING ELECTRONIC DRIVER(S), COMES STANDARD WITH 0-10V DOWN TO 1%
- LUTRON (LDE1) ECOSYSTEM 1% ALSO AVAILABLE
- OCL PROPRIETARY LED ARRAYS USE NICHIA 757 DIODES
- 80+ CRI = 80 RA, R9 > 0 (10-15 TYP)
- 90+ CRI = 90 RA, R9 > 50
- LUMINAIRE CONNECTS TO BUILDING SUPPLY (120V-277V 50/60HZ) UNLESS DRIVERS ARE REMOTELISTING
- ETL LISTED TO UL 1598 FOR INDOOR, DRY LOCATION

### WARRANTY

- 5 YEAR; ALL ELECTRICAL COMPONENTS RETAIN THE MANUFACTURER'S WARRANTY

### SUSTAINABILITY

- DECLARE:** DECLARE IS AN INGREDIENT LABEL DISCLOSURE FOR BUILDING PRODUCTS THAT IS DESIGNED TO HELP SPECIFIERS QUICKLY IDENTIFY PRODUCTS THAT SUPPORT HUMAN AND ENVIRONMENTAL HEALTH. LEARN MORE AT [OCL.COM/DECLARE](https://www.ocll.com/declare)
- THIS PRODUCT MEETS THE MATERIAL RESTRICTIONS OF ARTICLE 4 OF THE **ROHS** DIRECTIVE (2011/65/EU), INCLUDING COMMISSION DELEGATED DIRECTIVE 2015/863
- BIOS** LIGHTING CONTRIBUTES TOWARD THE CIRCADIAN LIGHTING DESIGN FEATURE 54 UNDER THE **WELL BUILDING STANDARD™ V1** AND FEATURE L03 UNDER THE **WELL BUILDING STANDARD V2**

## DECLARE

### DECLARE: PRODUCT TRANSPARENCY IN MANUFACTURING

Declare is the only label that combines material transparency and the Red List. It distills complex chemical ingredient information into an easy to read label. Declare helps specifiers find Red List Free products, which are healthy for people, the environment, and communities.

A product's compliance with the LBC Red List is represented on the Declare® label by the product's Declaration Status. There are three Declaration Statuses:

- DECLARED (RLD)** products disclose 100% of ingredients present in the final product, but contain one or more Red List chemicals that are not covered by an approved exception.
- LBC RED LIST APPROVED (RLA)** products disclose a minimum of 99% of ingredients present in the final product and meet the LBC Red List Imperative requirements through one or more approved exceptions.
- LBC RED LIST FREE (RLF)** products disclose 100% of ingredients present at or above 100 ppm (0.01%) in the final product and do not contain any Red List chemicals.

Need more information? Visit [ocll.com/declare](https://www.ocll.com/declare) to learn more..

**Final assembly location**  
Where was the product made?

**Chemical ingredients**  
What is in this product?

**Red List compliance**  
Are there Red List ingredients in this product?

**Life expectancy + end of life options**  
How long will this product last + what do you do with it when you're done with it?

**VOC info**  
Does this product off-gas?

# Declare.

**Glowing, Loop  
OCL Architectural Lighting**

**Final Assembly:** St Louis, Missouri, USA  
**Life Expectancy:** 10 Year(s)  
**End of Life Options:** Recyclable (93), Landfill (7)

**Ingredients:**  
Aluminum; Polyethylene Terephthalate; Small Electrical Component<sup>1</sup>; Brass; 1-Hexene, polymer with ethene; Steel manufacture, chemicals; Steel; Iron; Poly(imino(1,6-dioxo-1,6-hexanediyloimino-1,6-hexanediylo); Zinc; Copper; Cobalt; metal powder; Octadecanamide, N,N-1,2-ethanediylo); Stearic Acid; Benzenamine, 4-(1-methyl-1-phenylethyl)-N-(4-(1-methyl-1-phenylethyl)phenyl)-; Benzene propanoic acid, 3,5-bis(1-(1-dimethylethyl)-4-hydroxy)-octadecyl ester; Titanium dioxide; Nickel (Metallic); Unnamed Substance; Silicon; Tin; Organic; Chromium, metallic; Magnesium; Titanium; Water

<sup>1</sup>LBC Temp Exception RL-002 - Small Electrical Components

**Living Building Challenge Criteria:**

**I-13 Red List:**  
 LBC Red List Free      % Disclosed: 100% at 100ppm  
 LBC Red List Approved      VOC Content: Not Applicable  
 Declared

**I-10 Interior Performance:** Not Compliant  
**I-14 Responsible Sourcing:** Not Applicable

OCL-0004  
EXP 01 OCT 2024  
Original Issue Date: 2023

**Third Party Verified**

MANUFACTURER CLAIMS VERIFIED BY SGS GLOBAL SERVICES  
INTERNATIONAL LIVING FUTURE INSTITUTE™ [living-future.org/declare](https://www.living-future.org/declare)

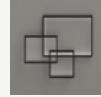
## COMMON MODIFICATIONS

### WE'RE BUILT FOR OUT-OF-THE-BOX THINKERS.

Nearly 50% of OCL fixtures we manufacture have some type of modification. Here is a list of common modifications we frequently produce. **Please contact the factory for modifications specific to your fixture or project.**

Need some help? Simply send your questions to us at [OCL-Quotes@ocl.com](mailto:OCL-Quotes@ocl.com)

- BIOS, TUNABLE WHITE, WARM-DIM, & RGBW LIGHT SOURCES
- SPECIFIC LUMEN OUTPUT
- MODIFIED CLUSTERS OR CONFIGURATIONS / MULTI-DROP CANOPIES
- VARIOUS SHAPES, ARCS, AND CURVES FOR LINEAR PROFILES AND RINGS
- CEILING OR SURFACE MOUNTING
- LARGE SCALE MODIFICATIONS
- RAL, PANTONE, BRAND-SPECIFIC, RETIRED OCL COLOR, OR CUSTOM FINISHES



- EMERGENCY BATTERY BACKUP OR INVERTER OPTIONS
- REMOTE DRIVERS / EXTENDED DISTANCE REMOTE DRIVERS
- DIMMING TO 0.1% (DIM TO DARK)
- NON-STANDARD SIZES OR LENGTHS
- NON-STANDARD CANOPY, BODY AND/OR CORD COLORS
- SEISMIC AND/OR ANTI-SWAY SYSTEMS
- RIGID STEMS
- MODIFIED OVERALL HEIGHTS (LONGER OR SHORTER OAH)
- UPLIGHT ADDITIONS
- LASER ETCHING, ENGRAVING, AND CUTOUTS

The drawings and specifications and ideas, designs and arrangements represented on these drawings are and shall remain the property of The Original Cast Lighting (OCL Architectural Lighting) and no part thereof shall be copied, disclosed, to others or used in conjunction with any work or project other than the specified project for which they have been prepared and developed, without written consent of OCL. Visual contact with these plans or specifications shall constitute conclusive evidence of acceptance of these restrictions. All specifications and information subject to change without notice.