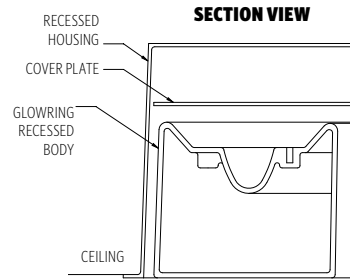


# Glowring™

RECESSED

**FEATURES**

- AVAILABLE IN 80+ CRI AND 90+ CRI (R9>50)
- SEAMLESS ONE PIECE MOLDED DIFFUSER
- FULLY ENCLOSED TOP SURFACE TO MINIMIZE ACCUMULATION OF DUST AND DEBRIS
- MINIMAL LUMINAIRE CROSS SECTION SIZE
- MOUNTING OPTIONS FOR GRID OR HARD CEILING
- FIELD REPLACEABLE LEDS AND DRIVERS
- 3 STEP LED BINNING



MADE IN USA



**CATALOG CODES**

<b>GL1</b>	-	<b>C1NB</b>	-	<b>C</b>	-	<b>MW</b>	-	<b>E</b>	-	<b>I</b>	-	<b>J</b>				
SERIES		HANGING SYSTEM		SIZE		DIFFUSER		FINISH		LIGHT SOURCE		VOLTAGE		CONTROL		OPTIONS

SPECIFY CATALOG CODE		A	B	C	D	E												
		SERIES	HANGING SYSTEM	SIZE	DIFFUSER	FINISH*												
	<b>GL1</b> GLOWRING	<b>C1NB</b>	RECESSED CEILING MOUNT	<b>24</b> <b>36</b> <b>48</b>	<b>MW</b> MATTE WHITE	<p><b>POWDER COAT FINISHES</b></p> <table border="0"> <tr> <td><b>BKP</b> BLACK</td> <td><b>MWP</b> MATTE WHITE</td> </tr> <tr> <td><b>BMP</b> BRASS METALLIC</td> <td><b>SGP</b> STEEL GRAY</td> </tr> <tr> <td><b>BNP</b> BRONZE</td> <td><b>SMP</b> SILVER METALLIC</td> </tr> <tr> <td><b>BTP</b> BLACK TEXTURED</td> <td><b>SWP</b> SKY WHITE</td> </tr> <tr> <td><b>GRP</b> GRAPHITE</td> <td><b>WTP</b> WHITE TEXTURED</td> </tr> <tr> <td><b>GLP</b> GOLDTASTIC</td> <td></td> </tr> </table> <p><b>PREMIUM METAL FINISHES</b></p> <p><b>BAL</b> BRUSHED ALUMINUM</p>	<b>BKP</b> BLACK	<b>MWP</b> MATTE WHITE	<b>BMP</b> BRASS METALLIC	<b>SGP</b> STEEL GRAY	<b>BNP</b> BRONZE	<b>SMP</b> SILVER METALLIC	<b>BTP</b> BLACK TEXTURED	<b>SWP</b> SKY WHITE	<b>GRP</b> GRAPHITE	<b>WTP</b> WHITE TEXTURED	<b>GLP</b> GOLDTASTIC	
<b>BKP</b> BLACK	<b>MWP</b> MATTE WHITE																	
<b>BMP</b> BRASS METALLIC	<b>SGP</b> STEEL GRAY																	
<b>BNP</b> BRONZE	<b>SMP</b> SILVER METALLIC																	
<b>BTP</b> BLACK TEXTURED	<b>SWP</b> SKY WHITE																	
<b>GRP</b> GRAPHITE	<b>WTP</b> WHITE TEXTURED																	
<b>GLP</b> GOLDTASTIC																		

F		G		H		I	
LIGHT SOURCE		VOLTAGE		CONTROL		OPTIONS	
<b>LED OUTPUT</b>	<b>COLOR TEMP</b>	<b>COLOR TEMP</b>	<b>UNV</b>	<b>DM1</b>	<b>DM3</b>	<b>ULD</b>	<b>BIOS</b>
<b>LED1</b>	(80+ CRI)	(90+ CRI)	120-277	0-10V DIMMING 1%	LUTRON HI-LUME ECOSYSTEM 1% (LDE1)	DAMP LABEL	BIOS SKYBLUE® OR BIOS SKYBLUE® DYNAMIC LIGHT ENGINE**
<b>LED2</b>	<b>27K</b>	<b>927K</b>				<b>MOD</b>	MODIFIED LUMINAIRE (CONTACT LOCAL REP)
	<b>30K</b>	<b>930K</b>					
	<b>35K</b>	<b>935K</b>					
	<b>40K</b>	<b>940K</b>					

SAMPLE CODE: **GL1-C1NB-36-MW-MWP-LED1/35K-UNV-DM1**

\*Finish choice is for the cover plate inside of the diffuser opening ; visible trim on the housing is matte white paint (MWP)

\*\*Contact factory for BIOS SkyBlue® or BIOS SkyBlue® Dynamic light engine and control options.

UP TO **84** LM/W

**LUMENS AND WATTAGE CHART**

		24"	36"	48"
<b>LED1</b>	LUMENS DELIVERED	2940	4620	5900
	SYSTEM WATTAGE	35	55	70
<b>LED2</b>	LUMENS DELIVERED	4620	7140	10120
	SYSTEM WATTAGE	55	85	115

This chart was created for a 35K color temp. Multiply by 0.93 for 27k color temp, 0.97 for 30k color temp, and 1.01 for 40k color temp.

Values shown for 80+ CRI. For 90+ CRI lumens use 0.85 multiplier.

**MODS, NOTES, & COMMENTS**



This product meets the material restrictions of Article 4 of the RoHS Directive (2011/65/EU), including Commission Delegated Directive 2015/863

# HANGING SYSTEM

## C1NB RECESSED CEILING MOUNT



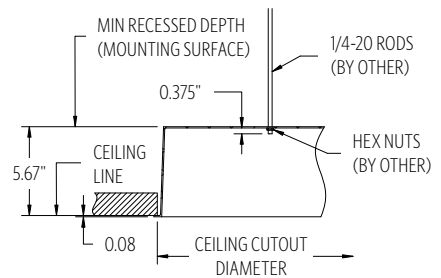
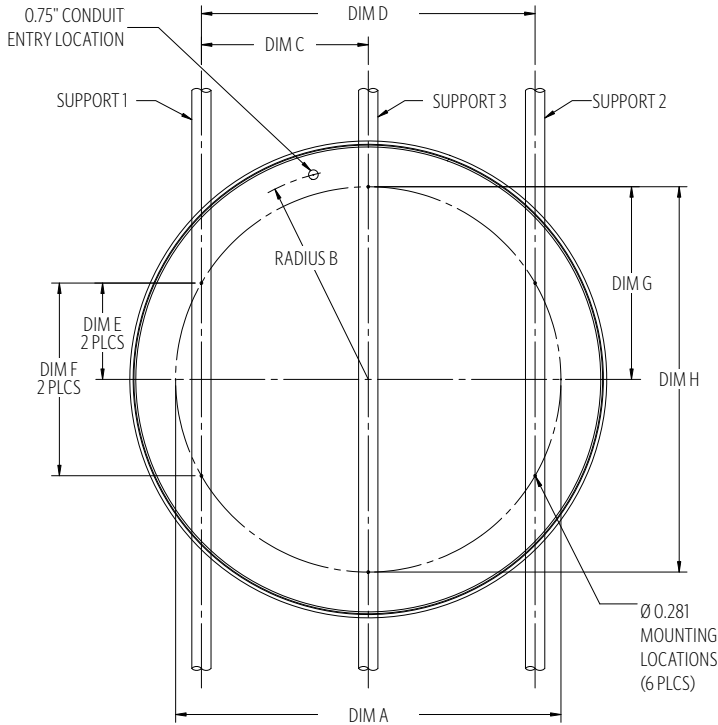
### MOUNTING INFORMATION CHART

LUMINAIRE DIAMETER	LUMINAIRE WEIGHT	DIM A	RADIUS B	SUPPORT POSITIONS		MOUNTING HOLE POSITIONS				CEILING CUTOUT DIA. (+/- 0.125)	
				DIM C	DIM D	DIM E	DIM F	DIM G	DIM H		MOUNTING POINTS
<b>24"</b>	16 LBS	16"	10"	5.66"	11.31"	5.66"	11.31"	-	-	4	25.125"
<b>36"</b>	28 LBS	28"	16"	9.9"	19.8"	9.9"	19.8"	-	-	4	37.125"
<b>48"</b>	60 LBS	40"	22"	17.32"	34.64"	10"	20"	20"	40"	6	49.125"

**24" & 36"** USE SUPPORT 1 & 2 ONLY; HAS 4x 0.281 MOUNTING LOCATIONS SPACED AT 90°

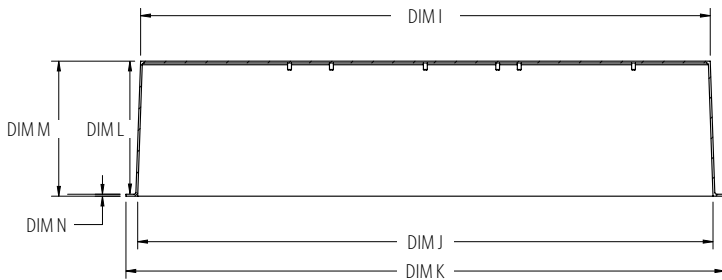
**48"** USES ALL 3 SUPPORTS; HAS 6x 0.281 MOUNTING LOCATIONS SPACED AT 60°

### TOP VIEW

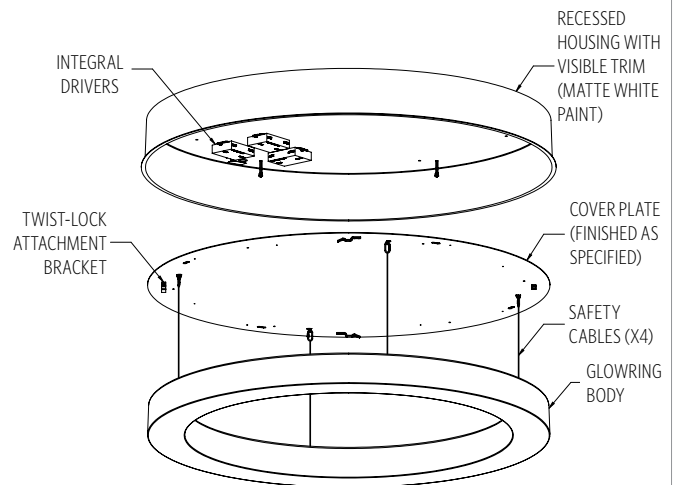


**NOTE:** GLOWRING RECESSED CAN BE MOUNTED TO A GRID OR HARD CEILING. THERE ARE PROVISIONS IN THE RECESSED HOUSING FOR 0.75" CONDUIT CONNECTIVITY. FOR DETAILED INSTALLATION INFORMATION REFER TO OCL INSTALLATION INSTRUCTIONS FOR GLOWRING RECESSED.

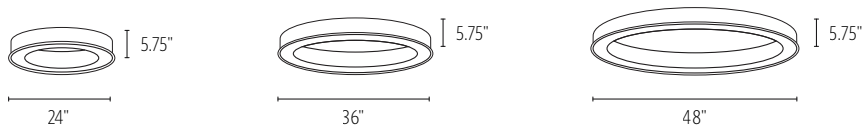
### SIDE VIEW



LUMINAIRE DIAMETER	DIM I	DIM J	DIM K	DIM L	DIM M	DIM N
<b>24"</b>	Ø 24.259"	Ø 24.5"	Ø 25.5"	5.670"	5.750"	0.080"
<b>36"</b>	Ø 36.259"	Ø 36.5"	Ø 37.5"	5.670"	5.750"	0.080"
<b>48"</b>	Ø 48.259"	Ø 48.5"	Ø 49.5"	5.670"	5.750"	0.080"



## SIZES



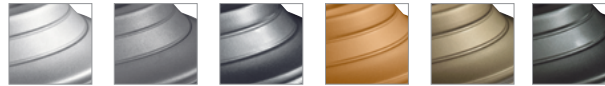
## DIFFUSER



**MWP**  
MATTE  
WHITE

## FINISH

### METALLIC POWDER COAT FINISHES:



**SMP** SILVER    **GRP** GRAPHITE    **SGP** STEEL GRAY    **GLP** GOLDTASTIC    **BMP** BRASS    **BNP** BRONZE

### PREMIUM METAL FINISHES:



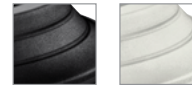
**BAL**  
BRUSHED  
ALUMINUM

### SOLID POWDER COAT FINISHES:



**SWP** SKY WHITE    **MWP** MATTE WHITE    **BKP** BLACK

### TEXTURED POWDER COAT FINISHES:



**BTP** BLACK TEXTURED    **WTP** WHITE TEXTURED

**RAL®, Pantone® or custom finishes are also available.**

These colors are for reference only. Please be aware that colors may vary per monitor. Contact your local rep for finish samples or with any questions.

## LIGHT SOURCE

### LUMENS AND WATTAGE CHART

		24"	36"	48"
<b>LED1</b>	LUMENS DELIVERED	2940	4620	5900
	SYSTEM WATTAGE	35	55	70
<b>LED2</b>	LUMENS DELIVERED	4620	7140	10120
	SYSTEM WATTAGE	55	85	115

This chart was created for a 35K color temp. Multiply by 0.95 for 27k color temp, 0.97 for 30k color temp, and 1.03 for 40k color temp.

Values shown for 80+ CRI. For 90+ CRI lumens use 0.85 multiplier.

STANDARD COLOR TEMPERATURE OPTIONS	CRI (RA)	
2700K	80+	90+
3000K	80+	90+
3500K	80+	90+
4000K	80+	90+

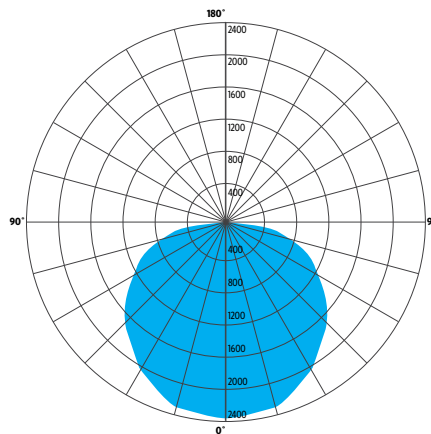
### LUMEN MAINTENANCE

REPORTED:	L70 AT >60,000 HRS
CALCULATED:	L70 AT 182,000 HRS
REPORTED:	L90 AT 53,000 HRS
CALCULATED:	L90 AT 53,000 HRS

Derived from EPA TM-21 calculator. Based on typical conditions. Consult the factory for additional details

### PHOTOMETRY:

LUMINAIRE:	GL1-C1NB-48-MW-MWP-LED2-35K-UNV-DMO
COLOR TEMP #:	3500K
OUTPUT:	10120
EFFICACY:	84 LM/W
TEST REPORT:	TEST NO. 20515.0



ZONE	LUMENS	% OF LUMINAIRE
0-30	1823	23%
0-60	5550	70%
0-90	7897	100%

## CONTROL

### DM1 0-10V DIMMING 1%

- 0-10V DIMMING
- 1% MINIMUM DIM LEVEL
- ELECTRONIC DRIVER
- POWER FACTOR >0.9
- THD <20%
- MINIMUM AMBIENT OPERATING TEMPERATURE -22°F
- FIELD REPLACEABLE

### DM3 LUTRON HI-LUME ECOSYSTEM 1% (LDE1)

- LUTRON HI-LUME SOFT-ON, FADE-TO-BLACK 1%, ECOSYSTEM, LDE1
- ELECTRONIC DRIVER
- POWER FACTOR >0.9
- THD <20%
- MINIMUM AMBIENT OPERATING TEMPERATURE: -32°F
- FIELD REPLACEABLE

## OPTIONS

### ULD DAMP LABEL LUMINAIRE

- MAY BE USED IN A OUTDOOR AREA THAT IS PROTECTED FROM DIRECT CONTACT WITH WIND, RAIN, SNOW OR EXCESSIVE MOISTURE

### MOD MODIFIED LUMINAIRE

- LUMINAIRE IS MODIFIED FROM STANDARD OPTIONS. CONTACT LOCAL REP FOR MORE INFORMATION

### BIOS

- **BIOS** SKYBLUE™ DYNAMIC LIGHT ENGINE IS DIMMABLE AND FEATURES A SIMPLE APPROACH TO CIRCADIAN LIGHTING CONTROLS.
- WHEN PAIRED WITH THE BIOS BIO-DIMMING MODULE, IT OPERATES USING ANY SINGLE CHANNEL CONSTANT CURRENT (CC) LED DRIVER AND CAN BE USED WITH ANY STANDARD DIMMING INTERFACE/PROTOCOL (0-10V, ELV, DMX, WIRELESS) AND COULD WORK WITH EXISTING TWO-CHANNEL CONTROL SYSTEMS AS WELL.
- VISIT **OCL.COM/BIOS** FOR MORE INFORMATION

## SPECIFICATIONS

### CONSTRUCTION

- RECESSED HOUSING IS ALUMINUM MATTE WHITE POWDER COAT PAINT
- COVER PLATE IS FABRICATED FROM ALUMINUM FINISHED AS SPECIFIED
- DIFFUSER IS MOLDED IN ONE PIECE WITHOUT VISIBLE SEAMS OR JOINTS
- LED REFLECTOR ASSEMBLY IS MATTE ANODIZED ALUMINUM
- HARDWARE IS ZINC PLATED OR STAINLESS STEEL

### ELECTRICAL

- DIMMING ELECTRONIC DRIVER(S), COMES STANDARD WITH 0-10V DOWN TO 1%
- LUTRON (LDE1) ECOSYSTEM 1% ALSO AVAILABLE
- OCL PROPRIETARY LED ARRAYS USE NICHIA 757 DIODES
- 80+ CRI = 80 RA, R9 > 0 (10-15 TYP)
- 90+ CRI = 90 RA, R9 > 50
- LUMINAIRE CONNECTS TO BUILDING SUPPLY (120V-277V 50/60HZ) UNLESS DRIVERS ARE REMOTE

### LISTING

- ETL LISTED TO UL 1598 FOR INDOOR, DRY LOCATION

### WARRANTY

- 5 YEAR; ALL ELECTRICAL COMPONENTS RETAIN THE MANUFACTURER'S WARRANTY

### SUSTAINABILITY

- THIS PRODUCT MEETS THE MATERIAL RESTRICTIONS OF ARTICLE 4 OF THE **ROHS** DIRECTIVE (2011/65/EU), INCLUDING COMMISSION DELEGATED DIRECTIVE 2015/863
- **BIOS** LIGHTING CONTRIBUTES TOWARD THE CIRCADIAN LIGHTING DESIGN FEATURE 54 UNDER THE **WELL BUILDING STANDARD™ V1** AND FEATURE L03 UNDER THE **WELL BUILDING STANDARD V2**

## COMMON MODIFICATIONS

### WE'RE BUILT FOR OUT-OF-THE-BOX THINKERS.

Nearly 50% of OCL fixtures we manufacture have some type of modification. Here is a list of common modifications we frequently produce. **Please contact the factory for modifications specific to your fixture or project.**

Need some help? Simply send your questions to us at **OCL-Quotes@ocl.com**

- BIOS, TUNABLE WHITE, WARM-DIM, & RGBW LIGHT SOURCES
- SPECIFIC LUMEN OUTPUT
- MODIFIED CLUSTERS OR CONFIGURATIONS / MULTI-DROP CANOPIES
- VARIOUS SHAPES, ARCS, AND CURVES FOR LINEAR PROFILES AND RINGS
- CEILING OR SURFACE MOUNTING
- LARGE SCALE MODIFICATIONS
- RAL, PANTONE, BRAND-SPECIFIC, RETIRED OCL COLOR, OR CUSTOM FINISHES



- EMERGENCY BATTERY BACKUP OR INVERTER OPTIONS
- REMOTE DRIVERS / EXTENDED DISTANCE REMOTE DRIVERS
- DIMMING TO 0.1% (DIM TO DARK)
- NON-STANDARD SIZES OR LENGTHS
- NON-STANDARD CANOPY, BODY AND/OR CORD COLORS
- SEISMIC AND/OR ANTI-SWAY SYSTEMS
- RIGID STEMS
- MODIFIED OVERALL HEIGHTS (LONGER OR SHORTER OAH)
- UPLIGHT ADDITIONS
- LASER ETCHING, ENGRAVING, AND CUTOUTS

The drawings and specifications and ideas, designs and arrangements represented on these drawings are and shall remain the property of The Original Cast Lighting (OCL Architectural Lighting) and no part thereof shall be copied, disclosed, to others or used in conjunction with any work or project other than the specified project for which they have been prepared and developed, without written consent of OCL. Visual contact with these plans or specifications shall constitute conclusive evidence of acceptance of these restrictions. All specifications and information subject to change without notice.