

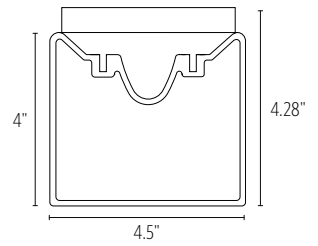
Glowring™

SURFACE

FEATURES

- AVAILABLE IN 80+ CRI AND 90+ CRI (R9>50)
- SEAMLESS ONE PIECE MOLDED DIFFUSER
- FULLY ENCLOSED TOP SURFACE TO MINIMIZE ACCUMULATION OF DUST AND DEBRIS
- AVAILABLE WITH METAL TRIM ON INNER DIAMETER OR OUTER DIAMETER
- WALL OR CEILING MOUNT
- FIELD REPLACEABLE LEDS & REMOTE DRIVERS
- 3 STEP LED BINNING

PROFILE VIEW



CATALOG CODES

A	-	C1NA	-	C	-	MW	-	E	-	I	-	UNV	-	I	-	J
SERIES		HANGING SYSTEM		SIZE		DIFFUSER		FINISH		LIGHT SOURCE		VOLTAGE		CONTROL		OPTIONS

SPECIFY CATALOG CODE																
A	B	C	D	E												
SERIES	HANGING SYSTEM	SIZE	DIFFUSER	FINISH*												
<p>GL1 GLOWRING</p> <p>GL2 GLOWRING OUTER TRIM</p> <p>GL3 GLOWRING INNER TRIM</p>	<p>C1NA SURFACE CEILING MOUNT</p>	<p>24</p> <p>36</p> <p>48</p> <p>60</p> <p>72</p>	<p>MW MATTE WHITE</p>	<p>POWDER COAT FINISHES</p> <table border="0"> <tr> <td>BKP BLACK</td> <td>MWP MATTE WHITE</td> </tr> <tr> <td>BMP BRASS METALLIC</td> <td>SGP STEEL GRAY</td> </tr> <tr> <td>BNP BRONZE</td> <td>SMP SILVER METALLIC</td> </tr> <tr> <td>BTP BLACK TEXTURED</td> <td>SWP SKY WHITE</td> </tr> <tr> <td>GRP GRAPHITE</td> <td>WTP WHITE TEXTURED</td> </tr> <tr> <td>GLP GOLDTASTIC</td> <td></td> </tr> </table> <p>PREMIUM METAL FINISHES</p> <p>BAL BRUSHED ALUMINUM</p> <p>NFA NO FINISH AVAILABLE</p>	BKP BLACK	MWP MATTE WHITE	BMP BRASS METALLIC	SGP STEEL GRAY	BNP BRONZE	SMP SILVER METALLIC	BTP BLACK TEXTURED	SWP SKY WHITE	GRP GRAPHITE	WTP WHITE TEXTURED	GLP GOLDTASTIC	
BKP BLACK	MWP MATTE WHITE															
BMP BRASS METALLIC	SGP STEEL GRAY															
BNP BRONZE	SMP SILVER METALLIC															
BTP BLACK TEXTURED	SWP SKY WHITE															
GRP GRAPHITE	WTP WHITE TEXTURED															
GLP GOLDTASTIC																

F		G		H			
LIGHT SOURCE		VOLTAGE		CONTROL		OPTIONS	
LED OUTPUT	COLOR TEMP	COLOR TEMP	UNV	DM1	DM3	ULD	BIOS
LED1	(80+ CRI)	(90+ CRI)	120-277	0-10V DIMMING 1%	LUTRON HI-LUME ECOSYSTEM 1% (LDE1)	DAMP LABEL	BIOS SKYBLUE™ OR BIOS SKLYBLUE™ DYNAMIC LIGHT ENGINE**
LED2	27K	927K				MOD	MODIFIED LUMINAIRE (CONTACT LOCAL REP)
	30K	930K					
	35K	935K					
	40K	940K					

SAMPLE CODE: **GL1-C1NA-36-MW-NFA-LED1/35K-UNV-DM1**

*GL1 has no finish available (NFA). GL2 & GL3, choose from powder coat or premium metal finishes.
 **Contact factory for BIOS SkyBlue® or BIOS SkyBlue® Dynamic light engine and control options.

UP TO **105** LM/W

MODS, NOTES, & COMMENTS

		LUMENS AND WATTAGE CHART				
		24"	36"	48"	60"	72"
LED1	LUMENS DELIVERED	3675	5775	7875	9975	12075
	SYSTEM WATTAGE	35	55	75	95	115
LED2	LUMENS DELIVERED	5115	7905	10695	13485	16275
	SYSTEM WATTAGE	55	85	115	145	175

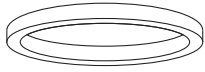
This chart was created for a 35K color temp. Multiply by 0.95 for 27k color temp, 0.97 for 30k color temp, and 1.03 for 40k color temp. Lumens delivered shown for GL1 only. GL2 and GL3 will have approx 30% reduction.

Values shown for 80+ CRI. For 90+ CRI lumens use 0.85 multiplier.

C1NA SURFACE CEILING MOUNT

3 OPTIONS FOR ELECTRICAL CONNECTIONS

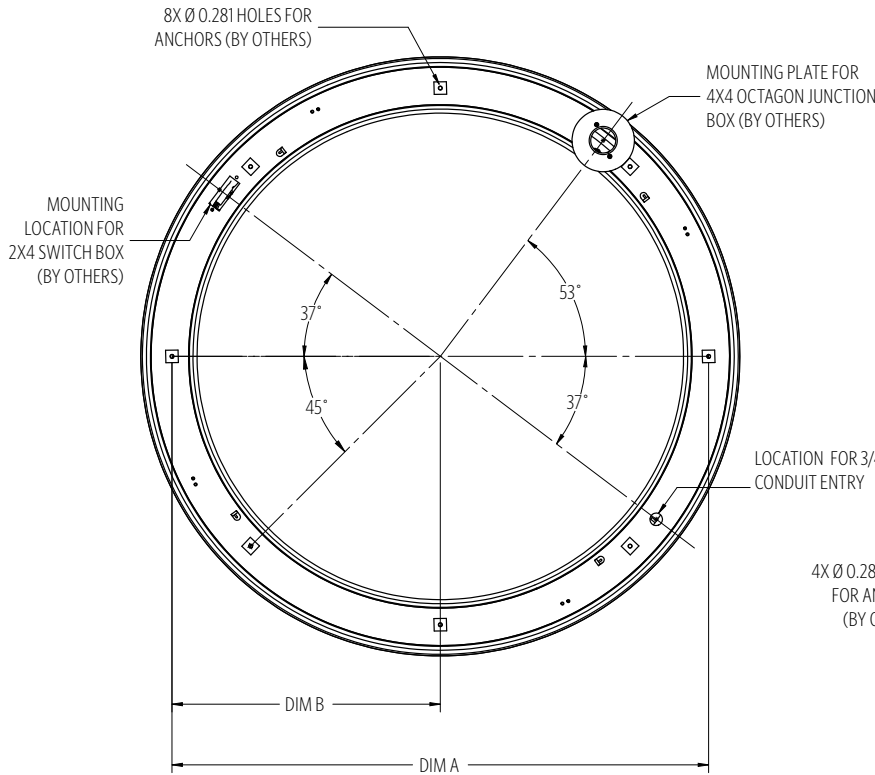
- 1) 4" ROUND/OCTAGON J-BOX (BY OTHERS)
 - 2) SWITCH BOX (BY OTHERS)
 - 3) 3/4" CONDUIT ENTRY (BY OTHERS)
- FOR DETAILED INSTALLATION INFORMATION REFER TO OCL
INSTALLATION INSTRUCTIONS FOR GLOWRING CEILING MOUNT.



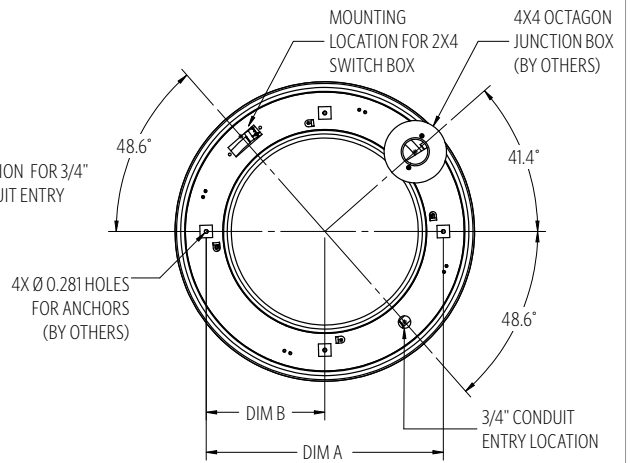
MOUNTING INFORMATION CHART

LUMINAIRE DIAMETER	LUMINAIRE WEIGHT	MOUNTING DISTANCE DIM A	MOUNTING CIRCLE DIM B	MOUNTING POINTS
24"	15 LBS	19"	9.5"	4
36"	22 LBS	31"	15.5"	4
48"	30 LBS	43"	21.5"	8
60"	38 LBS	55"	27.5"	8
72"	45 LBS	67"	33.5"	8

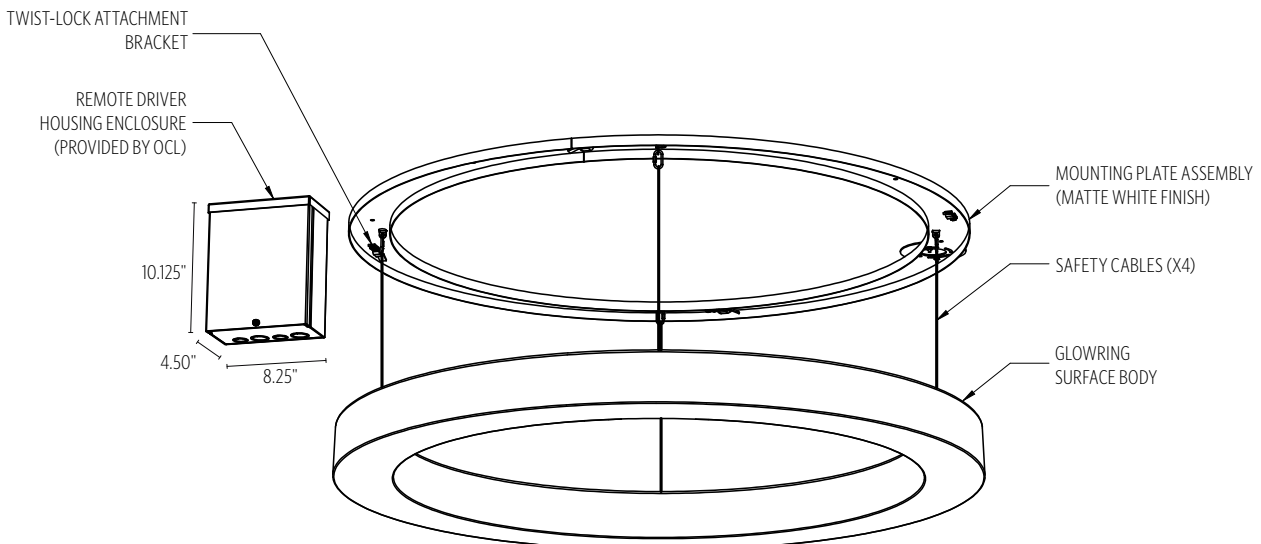
C1NA will include ETL listed enclosure for remote mounting drivers.
Max 30' distance from luminaire for DM1 and 10' max remote distance for DM3.
Enclosure must remain accessible after installation.



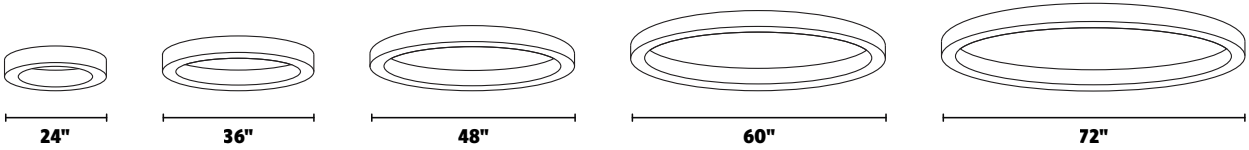
**48" - 72"
MOUNT LOCATIONS**



**24" - 36"
MOUNT LOCATIONS**



SIZE AND SECTIONS



DIFFUSER

FINISH



MWP
MATTE
WHITE

METALLIC POWDER COAT FINISHES:



SMP
SILVER



GRP
GRAPHITE



SGP
STEEL GRAY



GLP
GOLDTASTIC



BMP
BRASS



BNP
BRONZE



BAL
BRUSHED
ALUMINUM

PREMIUM METAL FINISHES:

SOLID POWDER COAT FINISHES:



SWP
SKY WHITE



MWP
MATTE
WHITE



BKP
BLACK

TEXTURED POWDER COAT FINISHES:



BTP
BLACK
TEXTURED



WTP
WHITE
TEXTURED

RAL, Pantone or custom finishes are also available.

These colors are for reference only. Please be aware that colors may vary per monitor. Contact your local rep for finish samples or with any questions.

LIGHT SOURCE

LUMENS AND WATTAGE CHART

		24	36	48	60	72
LED1	LUMENS DELIVERED	3675	5775	7875	9975	12075
	SYSTEM WATTAGE	35	55	75	95	115
LED2	LUMENS DELIVERED	5115	7905	10695	13485	16275
	SYSTEM WATTAGE	55	85	115	145	175

This chart was created for a 35K color temp. Multiply by 0.95 for 27k color temp, 0.97 for 30k color temp, and 1.03 for 40k color temp. Lumens delivered shown for GL1 only. GL2 and GL3 will have approx 30% reduction.

Values shown for 80+ CRI. For 90+ CRI lumens use 0.85 multiplier.

STANDARD COLOR TEMPERATURE OPTIONS	CRI (RA)	
	2700K	80+
3000K	80+	90+
3500K	80+	90+
4000K	80+	90+

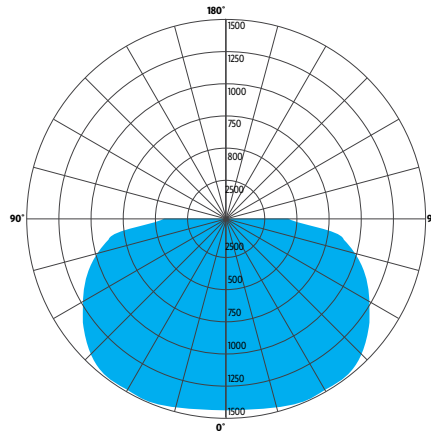
LUMEN MAINTENANCE

REPORTED:	L70 AT >60,000 HRS
CALCULATED:	L70 AT 182,000 HRS
REPORTED:	L90 AT 53,000 HRS
CALCULATED:	L90 AT 53,000 HRS

Derived from EPA TM-21 calculator. Based on typical conditions. Consult the factory for additional details

PHOTOMETRY:

LUMINAIRE:	GL1-XXXX-48-MW-PTD-LED2/35K-UNV-XS
COLOR TEMP #:	3500K
OUTPUT:	10695
EFFICACY:	105 LM/W
TEST REPORT:	TEST NO. 19440.0



ZONE	LUMENS	% OF LUMINAIRE
0-30	1220	11%
0-60	4370	41%
0-90	7258	68%

Polar graph and zonal lumens shown for GL1 (GL2 & GL3 pending)

CONTROL

DM1 0-10V DIMMING 1%

- 0-10V DIMMING
- 1% MINIMUM DIM LEVEL
- ELECTRONIC DRIVER
- POWER FACTOR >0.9
- THD <20%
- MINIMUM AMBIENT OPERATING TEMPERATURE -22°F
- FIELD REPLACEABLE

DM3 LUTRON HI-LUME ECOSYSTEM 1% (LDE1)

- LUTRON HI-LUME SOFT-ON, FADE-TO-BLACK 1%, ECOSYSTEM, LDE1
- ELECTRONIC DRIVER
- POWER FACTOR >0.9
- THD <20%
- MINIMUM AMBIENT OPERATING TEMPERATURE: -32°F
- FIELD REPLACEABLE

OPTIONS

ULD DAMP LABEL LUMINAIRE

- MAY BE USED IN AN OUTDOOR AREA THAT IS PROTECTED FROM DIRECT CONTACT WITH WIND, RAIN, SNOW OR EXCESSIVE MOISTURE

MOD MODIFIED LUMINAIRE

- LUMINAIRE IS MODIFIED FROM STANDARD OPTIONS. CONTACT LOCAL REP FOR MORE INFORMATION

BIOS

- BIOS SKYBLUE™ DYNAMIC** LIGHT ENGINE IS DIMMABLE AND FEATURES A SIMPLE APPROACH TO CIRCADIAN LIGHTING CONTROLS.
- WHEN PAIRED WITH THE BIOS BIO-DIMMING MODULE, IT OPERATES USING ANY SINGLE CHANNEL CONSTANT CURRENT (CC) LED DRIVER AND CAN BE USED WITH ANY STANDARD DIMMING INTERFACE/PROTOCOL (0-10V, ELV, DMX, WIRELESS) AND COULD WORK WITH EXISTING TWO-CHANNEL CONTROL SYSTEMS AS WELL.
- VISIT [OCL.COM/BIOS](https://www.ocl.com/bios) FOR MORE INFORMATION

SPECIFICATIONS

CONSTRUCTION

- MOUNTING PLATE IS FABRICATED FROM STEEL POWDER COAT PAINTED MATTE WHITE
- DIFFUSER IS MOLDED IN ONE PIECE WITHOUT VISIBLE SEAMS OR JOINTS
- LED REFLECTOR ASSEMBLY IS MATTE ANODIZED ALUMINUM
- HARDWARE IS ZINC PLATED OR STAINLESS STEEL

ELECTRICAL

- DIMMING ELECTRONIC DRIVER(S), COMES STANDARD WITH 0-10V DOWN TO 1%
- LUTRON (LDE1) ECOSYSTEM 1% ALSO AVAILABLE
- OCL PROPRIETARY LED ARRAYS USE NICHIA 757 DIODES
- 80+ CRI = 80 RA, R9 > 0 (10-15 TYP)
- 90+ CRI = 90 RA, R9 > 50
- LUMINAIRE WIRE LEADS ARE LOW-VOLTAGE. THE WIRES SHOULD BE CONNECTED TO OCL PROVIDED REMOTE DRIVER ENCLOSURE ONLY!

LISTING

- ETL LISTED TO UL 1598 FOR INDOOR, DRY LOCATION

WARRANTY

- 5 YEAR; ALL ELECTRICAL COMPONENTS RETAIN THE MANUFACTURER'S WARRANTY

BUILD AMERICA, BUY AMERICA (BABA)

- THIS PRODUCT MEETS THE GUIDELINES FOR THE BUILD AMERICA, BUY AMERICA ACT. **SOME EXCLUSIONS APPLY.** FOR MORE INFORMATION AND A FULL LIST OF ELIGIBLE SKUS, VISIT [OCL.COM/BABA](https://www.ocl.com/baba)

SUSTAINABILITY


- DECLARE:** DECLARE IS AN INGREDIENT LABEL DISCLOSURE FOR BUILDING PRODUCTS THAT IS DESIGNED TO HELP SPECIFIERS QUICKLY IDENTIFY PRODUCTS THAT SUPPORT HUMAN AND ENVIRONMENTAL HEALTH. LEARN MORE AT [OCL.COM/DECLARE](https://www.ocl.com/declare)
- THIS PRODUCT MEETS THE MATERIAL RESTRICTIONS OF ARTICLE 4 OF THE **ROHS** DIRECTIVE (2011/65/EU), INCLUDING COMMISSION DELEGATED DIRECTIVE 2015/863
- BIOS** LIGHTING CONTRIBUTES TOWARD THE CIRCADIAN LIGHTING DESIGN FEATURE 54 UNDER THE **WELL BUILDING STANDARD™ V1** AND FEATURE L03 UNDER THE **WELL BUILDING STANDARD V2**

DECLARE

Final assembly location
Where was the product made?

Chemical ingredients
What is in this product?

Red List compliance
Are there Red List ingredients in this product?



Declare.

**Glowing, Loop
OCL Architectural Lighting**

Final Assembly: St. Louis, Missouri, USA
Life Expectancy: 10 Year(s)
End of Life Options: Recyclable (93), Landfill (7)

Ingredients:
Aluminum; Polyethylene Terephthalate; Small Electrical Component¹; Brass; 1-Hexene, polymer with ethene; Steel manufacture, chemicals; Steel; Iron; Poly[imino(1,6-dioxo-1,6-hexanedyl)imino-1,6-hexanedyl]; Zinc; Copper; Cobalt; metal powder; Octadecanamide, N,N'-1,2-ethanediyldis-; Stearic Acid; Benzenamine, 4-(1-methyl-1-phenylethyl)-N-[4-(1-methyl-1-phenylethyl)phenyl]-; Benzene propanoic acid, 3,5-bis(1-(1-dimethylethyl)-4-hydroxy-1-octadecyl) ester; Titanium dioxide; Nickel (Metallic); Unnamed Substance; Silicon; Tin; Organic; Chromium, metallic; Magnesium; Titanium; Water

¹LBC Temp Exception RL-002 - Small Electrical Components

Living Building Challenge Criteria:

I-13 Red List:
 LBC Red List Free % Disclosed: 100% at 100ppm
 LBC Red List Approved VOC Content: Not Applicable
 Declared

I-10 Interior Performance: Not Compliant
I-14 Responsible Sourcing: Not Applicable

OCL-0004
EXP 01 OCT 2024
Original Issue Date: 2023

Third Party Verified

MANUFACTURER CLAIMS VERIFIED BY SGS GLOBAL SERVICES INTERNATIONAL LIVING FUTURE INSTITUTE™ [livingfuture.org/declare](https://www.livingfuture.org/declare)

Life expectancy + end of life options
How long will this product last + what do you do with it when you're done with it?

VOC info
Does this product off-gas?

DECLARE: PRODUCT TRANSPARENCY IN MANUFACTURING

Declare is the only label that combines material transparency and the Red List. It distills complex chemical ingredient information into an easy to read label. Declare helps specifiers find Red List Free products, which are healthy for people, the environment, and communities.

A product's compliance with the LBC Red List is represented on the Declare® label by the product's Declaration Status. There are three Declaration Statuses:

- DECLARED (RLD)** products disclose 100% of ingredients present in the final product, but contain one or more Red List chemicals that are not covered by an approved exception.
- LBC RED LIST APPROVED (RLA)** products disclose a minimum of 99% of ingredients present in the final product and meet the LBC Red List Imperative requirements through one or more approved exceptions.
- LBC RED LIST FREE (RLF)** products disclose 100% of ingredients present at or above 100 ppm (0.01%) in the final product and do not contain any Red List chemicals.

Need more information? Visit [ocl.com/declare](https://www.ocl.com/declare) to learn more..

COMMON MODIFICATIONS

WE'RE BUILT FOR OUT-OF-THE-BOX THINKERS.

Nearly 50% of OCL fixtures we manufacture have some type of modification. Here is a list of common modifications we frequently produce. **Please contact the factory for modifications specific to your fixture or project.**

Need some help? Simply send your questions to us at OCL-Quotes@ocl.com

- BIOS, TUNABLE WHITE, WARM-DIM, & RGBW LIGHT SOURCES
- SPECIFIC LUMEN OUTPUT
- MODIFIED CLUSTERS OR CONFIGURATIONS / MULTI-DROP CANOPIES
- VARIOUS SHAPES, ARCS, AND CURVES FOR LINEAR PROFILES AND RINGS
- CEILING OR SURFACE MOUNTING
- LARGE SCALE MODIFICATIONS
- RAL, PANTONE, BRAND-SPECIFIC, RETIRED OCL COLOR, OR CUSTOM FINISHES



- EMERGENCY BATTERY BACKUP OR INVERTER OPTIONS
- REMOTE DRIVERS / EXTENDED DISTANCE REMOTE DRIVERS
- DIMMING TO 0.1% (DIM TO DARK)
- NON-STANDARD SIZES OR LENGTHS
- NON-STANDARD CANOPY, BODY AND/OR CORD COLORS
- SEISMIC AND/OR ANTI-SWAY SYSTEMS
- RIGID STEMS
- MODIFIED OVERALL HEIGHTS (LONGER OR SHORTER OAH)
- UPLIGHT ADDITIONS
- LASER ETCHING, ENGRAVING, AND CUTOUTS

The drawings and specifications and ideas, designs and arrangements represented on these drawings are and shall remain the property of The Original Cast Lighting (OCL Architectural Lighting) and no part thereof shall be copied, disclosed, to others or used in conjunction with any work or project other than the specified project for which they have been prepared and developed, without written consent of OCL. Visual contact with these plans or specifications shall constitute conclusive evidence of acceptance of these restrictions. All specifications and information subject to change without notice.