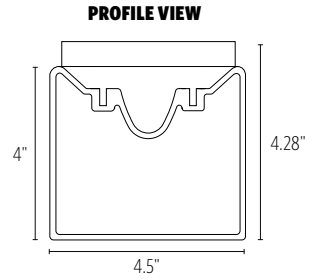


Glowring™

SURFACE

FEATURES

- AVAILABLE IN 80+ CRI AND 90+ CRI (R9>50)
- SEAMLESS ONE PIECE MOLDED DIFFUSER
- FULLY ENCLOSED TOP SURFACE TO MINIMIZE ACCUMULATION OF DUST AND DEBRIS
- AVAILABLE WITH METAL TRIM ON INNER DIAMETER OR OUTER DIAMETER
- WALL OR CEILING MOUNT
- FIELD REPLACEABLE LEDS AND REMOTE DRIVERS
- 3 STEP LED BINNING



MADE IN USA



CATALOG CODES

A	-	C1NA	-	C	-	MW	-	E	-	I	-	UNV	-	I	-	J
SERIES		HANGING SYSTEM		SIZE		DIFFUSER		FINISH		LIGHT SOURCE		VOLTAGE		CONTROL		OPTIONS

SPECIFY CATALOG CODE

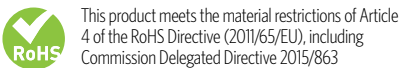
A	B	C	D	E												
SERIES	HANGING SYSTEM	SIZE	DIFFUSER	FINISH*												
<p>GL1 GLOWRING</p> <p>GL2 GLOWRING OUTER TRIM</p> <p>GL3 GLOWRING INNER TRIM</p>	<p>C1NA SURFACE CEILING MOUNT</p>	<p>24</p> <p>36</p> <p>48</p> <p>60</p> <p>72</p>	<p>MW MATTE WHITE</p>	<p>POWDER COAT FINISHES</p> <table border="0"> <tr> <td>BKP BLACK</td> <td>MWP MATTE WHITE</td> </tr> <tr> <td>BMP BRASS METALLIC</td> <td>SGP STEEL GRAY</td> </tr> <tr> <td>BNP BRONZE</td> <td>SMP SILVER METALLIC</td> </tr> <tr> <td>BTP BLACK TEXTURED</td> <td>SWP SKY WHITE</td> </tr> <tr> <td>GRP GRAPHITE</td> <td>WTP WHITE TEXTURED</td> </tr> <tr> <td>GLP GOLDTASTIC</td> <td></td> </tr> </table> <p>PREMIUM METAL FINISHES</p> <p>BAL BRUSHED ALUMINUM</p> <p>NFA NO FINISH AVAILABLE</p>	BKP BLACK	MWP MATTE WHITE	BMP BRASS METALLIC	SGP STEEL GRAY	BNP BRONZE	SMP SILVER METALLIC	BTP BLACK TEXTURED	SWP SKY WHITE	GRP GRAPHITE	WTP WHITE TEXTURED	GLP GOLDTASTIC	
BKP BLACK	MWP MATTE WHITE															
BMP BRASS METALLIC	SGP STEEL GRAY															
BNP BRONZE	SMP SILVER METALLIC															
BTP BLACK TEXTURED	SWP SKY WHITE															
GRP GRAPHITE	WTP WHITE TEXTURED															
GLP GOLDTASTIC																

F		G		H			
LIGHT SOURCE		VOLTAGE		CONTROL		OPTIONS	
<p>LED OUTPUT</p> <p>LED1</p> <p>LED2</p>	<p>COLOR TEMP (80+ CRI)</p> <p>27K</p> <p>30K</p> <p>35K</p> <p>40K</p>	<p>COLOR TEMP (90+ CRI)</p> <p>927K</p> <p>930K</p> <p>935K</p> <p>940K</p>	<p>UNV 120-277</p>	<p>DM1 0-10V DIMMING 1%</p> <p>DM3 LUTRON HI-LUME ECOSYSTEM 1% (LDE1)</p>	<p>ULD DAMP LABEL</p> <p>BIOS BIOS SKYBLUE™ OR BIOS SKLYBLUE™ DYNAMIC LIGHT ENGINE**</p> <p>MOD MODIFIED LUMINAIRE (CONTACT LOCAL REP)</p>		

SAMPLE CODE: GL1-C1NA-36-MW-NFA-LED1/35K-UNV-DM1

*GL1 has no finish available (NFA). GL2 & GL3, choose from powder coat or premium metal finishes.

**Contact factory for BIOS SkyBlue® or BIOS SkyBlue® Dynamic light engine and control options.



UP TO **105** LM/W

		LUMENS AND WATTAGE CHART				
		24"	36"	48"	60"	72"
LED1	LUMENS DELIVERED	3675	5775	7875	9975	12075
	SYSTEM WATTAGE	35	55	75	95	115
LED2	LUMENS DELIVERED	5115	7905	10695	13485	16275
	SYSTEM WATTAGE	55	85	115	145	175

This chart was created for a 35K color temp. Multiply by 0.95 for 27k color temp, 0.97 for 30k color temp, and 1.03 for 40k color temp. Lumens delivered shown for GL1 only. GL2 and GL3 will have approx 30% reduction.

Values shown for 80+ CRI. For 90+ CRI lumens use 0.85 multiplier.

MODS, NOTES, & COMMENTS

C1NA SURFACE CEILING MOUNT

3 OPTIONS FOR ELECTRICAL CONNECTIONS

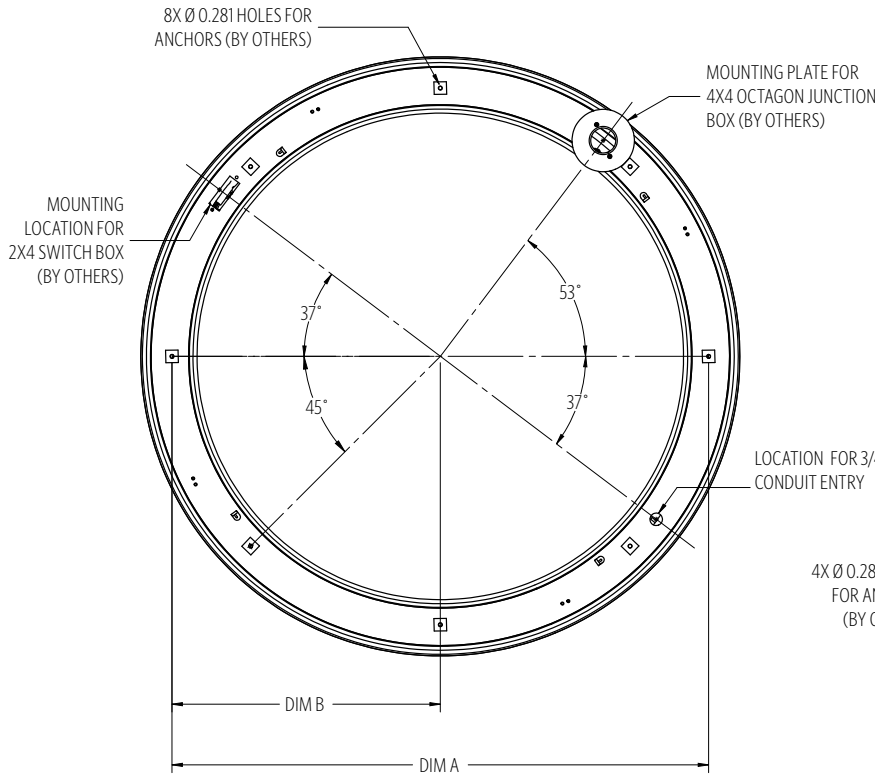
- 1) 4" ROUND/OCTAGON J-BOX (BY OTHERS)
 - 2) SWITCH BOX (BY OTHERS)
 - 3) 3/4" CONDUIT ENTRY (BY OTHERS)
- FOR DETAILED INSTALLATION INFORMATION REFER TO OCL
INSTALLATION INSTRUCTIONS FOR GLOWRING CEILING MOUNT.



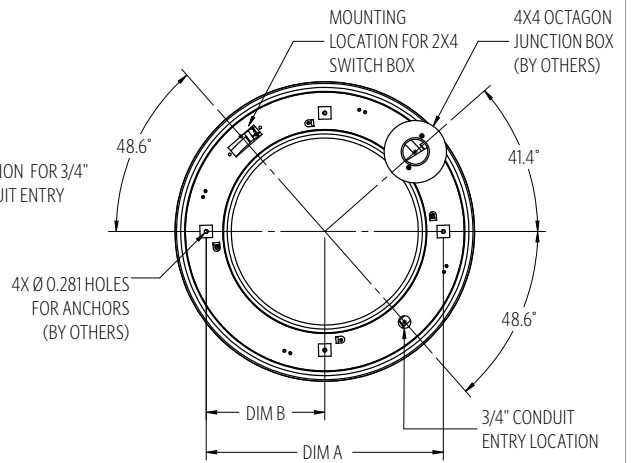
MOUNTING INFORMATION CHART

LUMINAIRE DIAMETER	LUMINAIRE WEIGHT	MOUNTING DISTANCE DIM A	MOUNTING CIRCLE DIM B	MOUNTING POINTS
24"	15 LBS	19"	9.5"	4
36"	22 LBS	31"	15.5"	4
48"	30 LBS	43"	21.5"	8
60"	38 LBS	55"	27.5"	8
72"	45 LBS	67"	33.5"	8

C1NA will include ETL listed enclosure for remote mounting drivers.
Max 30' distance from luminaire for DM1 and 10' max remote distance for DM3.
Enclosure must remain accessible after installation.



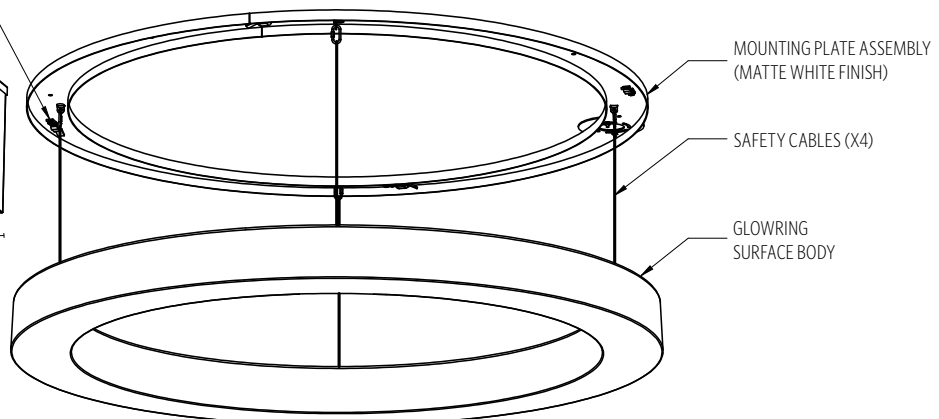
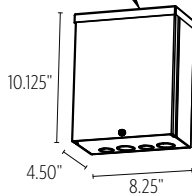
**48" - 72"
MOUNT LOCATIONS**



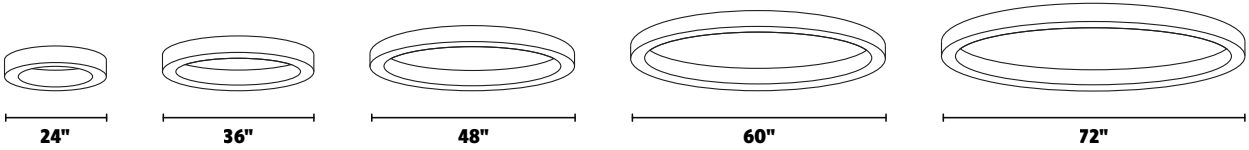
**24" - 36"
MOUNT LOCATIONS**

TWIST-LOCK ATTACHMENT BRACKET

REMOTE DRIVER HOUSING ENCLOSURE (PROVIDED BY OCL)



SIZE AND SECTIONS



DIFFUSER

FINISH



MWP
MATTE
WHITE

METALLIC POWDER COAT FINISHES:



SMP
SILVER



GRP
GRAPHITE



SGP
STEEL GRAY



GLP
GOLDTASTIC



BMP
BRASS



BNP
BRONZE



BAL
BRUSHED
ALUMINUM

PREMIUM METAL FINISHES:

SOLID POWDER COAT FINISHES:



SWP
SKY WHITE



MWP
MATTE
WHITE



BKP
BLACK

TEXTURED POWDER COAT FINISHES:



BTP
BLACK
TEXTURED



WTP
WHITE
TEXTURED

RAL, Pantone or custom finishes are also available.

These colors are for reference only. Please be aware that colors may vary per monitor. Contact your local rep for finish samples or with any questions.

LIGHT SOURCE

LUMENS AND WATTAGE CHART

		24	36	48	60	72
LED1	LUMENS DELIVERED	3675	5775	7875	9975	12075
	SYSTEM WATTAGE	35	55	75	95	115
LED2	LUMENS DELIVERED	5115	7905	10695	13485	16275
	SYSTEM WATTAGE	55	85	115	145	175

This chart was created for a 35K color temp. Multiply by 0.95 for 27k color temp, 0.97 for 30k color temp, and 1.03 for 40k color temp. Lumens delivered shown for GL1 only. GL2 and GL3 will have approx 30% reduction.

Values shown for 80+ CRI. For 90+ CRI lumens use 0.85 multiplier.

STANDARD COLOR TEMPERATURE OPTIONS	CRI (RA)	
	2700K	80+
3000K	80+	90+
3500K	80+	90+
4000K	80+	90+

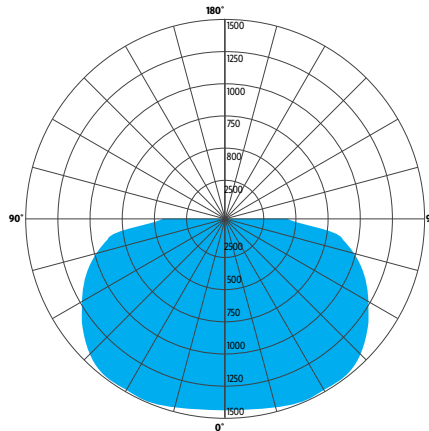
LUMEN MAINTENANCE

REPORTED:	L70 AT >60,000 HRS
CALCULATED:	L70 AT 182,000 HRS
REPORTED:	L90 AT 53,000 HRS
CALCULATED:	L90 AT 53,000 HRS

Derived from EPA TM-21 calculator. Based on typical conditions. Consult the factory for additional details

PHOTOMETRY:

LUMINAIRE:	GL1-XXXX-48-MW-PTD-LED2/35K-UNV-XS
COLOR TEMP #:	3500K
OUTPUT:	10695
EFFICACY:	105 LM/W
TEST REPORT:	TEST NO. 19440.0



ZONE	LUMENS	% OF LUMINAIRE
0-30	1220	11%
0-60	4370	41%
0-90	7258	68%

Polar graph and zonal lumens shown for GL1 (GL2 & GL3 pending)

CONTROL

DM1 0-10V DIMMING 1%

- 0-10V DIMMING
- 1% MINIMUM DIM LEVEL
- ELECTRONIC DRIVER
- POWER FACTOR >0.9
- THD <20%
- MINIMUM AMBIENT OPERATING TEMPERATURE -22°F
- FIELD REPLACEABLE

DM3 LUTRON HI-LUME ECOSYSTEM 1% (LDE1)

- LUTRON HI-LUME SOFT-ON, FADE-TO-BLACK 1%, ECOSYSTEM, LDE1
- ELECTRONIC DRIVER
- POWER FACTOR >0.9
- THD <20%
- MINIMUM AMBIENT OPERATING TEMPERATURE: -32°F
- FIELD REPLACEABLE

OPTIONS

ULD DAMP LABEL LUMINAIRE

- MAY BE USED IN A OUTDOOR AREA THAT IS PROTECTED FROM DIRECT CONTACT WITH WIND, RAIN, SNOW OR EXCESSIVE MOISTURE

MOD MODIFIED LUMINAIRE

- LUMINAIRE IS MODIFIED FROM STANDARD OPTIONS. CONTACT LOCAL REP FOR MORE INFORMATION

BIOS

- **BIOS SKYBLUE™ DYNAMIC** LIGHT ENGINE IS DIMMABLE AND FEATURES A SIMPLE APPROACH TO CIRCADIAN LIGHTING CONTROLS.
- WHEN PAIRED WITH THE BIOS BIO-DIMMING MODULE, IT OPERATES USING ANY SINGLE CHANNEL CONSTANT CURRENT (CC) LED DRIVER AND CAN BE USED WITH ANY STANDARD DIMMING INTERFACE/PROTOCOL (0-10V, ELV, DMX, WIRELESS) AND COULD WORK WITH EXISTING TWO-CHANNEL CONTROL SYSTEMS AS WELL.
- VISIT OCL.COM/BIOS FOR MORE INFORMATION

SPECIFICATIONS

CONSTRUCTION

- MOUNTING PLATE IS FABRICATED FROM STEEL POWDER COAT PAINTED MATTE WHITE
- DIFFUSER IS MOLDED IN ONE PIECE WITHOUT VISIBLE SEAMS OR JOINTS
- LED REFLECTOR ASSEMBLY IS MATTE ANODIZED ALUMINUM
- HARDWARE IS ZINC PLATED OR STAINLESS STEEL

ELECTRICAL

- DIMMING ELECTRONIC DRIVER(S), COMES STANDARD WITH 0-10V DOWN TO 1%
- LUTRON (LDE1) ECOSYSTEM 1% ALSO AVAILABLE
- OCL PROPRIETARY LED ARRAYS USE NICHIA 757 DIODES
- 80+ CRI = 80 RA, R9 > 0 (10-15 TYP)
- 90+ CRI = 90 RA, R9 > 50
- LUMINAIRE WIRE LEADS ARE LOW-VOLTAGE. THE WIRES SHOULD BE CONNECTED TO OCL PROVIDED REMOTE DRIVER ENCLOSURE ONLY!

LISTING

- ETL LISTED TO UL 1598 FOR INDOOR, DRY LOCATION

WARRANTY

- 5 YEAR; ALL ELECTRICAL COMPONENTS RETAIN THE MANUFACTURER'S WARRANTY

SUSTAINABILITY

- THIS PRODUCT MEETS THE MATERIAL RESTRICTIONS OF ARTICLE 4 OF THE **ROHS** DIRECTIVE (2011/65/EU), INCLUDING COMMISSION DELEGATED DIRECTIVE 2015/863
- **BIOS** LIGHTING CONTRIBUTES TOWARD THE CIRCADIAN LIGHTING DESIGN FEATURE 54 UNDER THE **WELL BUILDING STANDARD™ V1** AND FEATURE L03 UNDER THE **WELL BUILDING STANDARD V2**

COMMON MODIFICATIONS

WE'RE BUILT FOR OUT-OF-THE-BOX THINKERS.

Nearly 50% of OCL fixtures we manufacture have some type of modification. Here is a list of common modifications we frequently produce. **Please contact the factory for modifications specific to your fixture or project.**

Need some help? Simply send your questions to us at OCL-Quotes@ocl.com

- BIOS, TUNABLE WHITE, WARM-DIM, & RGBW LIGHT SOURCES
- SPECIFIC LUMEN OUTPUT
- MODIFIED CLUSTERS OR CONFIGURATIONS / MULTI-DROP CANOPIES
- VARIOUS SHAPES, ARCS, AND CURVES FOR LINEAR PROFILES AND RINGS
- CEILING OR SURFACE MOUNTING
- LARGE SCALE MODIFICATIONS
- RAL, PANTONE, BRAND-SPECIFIC, RETIRED OCL COLOR, OR CUSTOM FINISHES



- EMERGENCY BATTERY BACKUP OR INVERTER OPTIONS
- REMOTE DRIVERS / EXTENDED DISTANCE REMOTE DRIVERS
- DIMMING TO 0.1% (DIM TO DARK)
- NON-STANDARD SIZES OR LENGTHS
- NON-STANDARD CANOPY, BODY AND/OR CORD COLORS
- SEISMIC AND/OR ANTI-SWAY SYSTEMS
- RIGID STEMS
- MODIFIED OVERALL HEIGHTS (LONGER OR SHORTER OAH)
- UPLIGHT ADDITIONS
- LASER ETCHING, ENGRAVING, AND CUTOUTS

The drawings and specifications and ideas, designs and arrangements represented on these drawings are and shall remain the property of The Original Cast Lighting (OCL Architectural Lighting) and no part thereof shall be copied, disclosed, to others or used in conjunction with any work or project other than the specified project for which they have been prepared and developed, without written consent of OCL. Visual contact with these plans or specifications shall constitute conclusive evidence of acceptance of these restrictions. All specifications and information subject to change without notice.