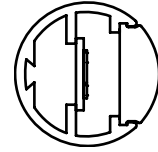


Aro Cluster™

PENDANT

FEATURES

- CUSTOM CLUSTER DESIGN IN FIVE STANDARD LUMINAIRE CONFIGURATIONS
- MINIMAL 1.5" EXTRUDED ALUMINUM PROFILE SIZE
- EXTRUDED SILICONE LENS CREATES A CRISP & UNIFORM APPEARANCE WITH NO VISIBLE SEAM, NO DIODE IMAGING OR ZERO LIGHT LEAKS FROM EXPANSION AND CONTRACTION
- INNER ILLUMINATION, CUSTOM SIZES, AND VARIOUS SHAPES ARE AVAILABLE AS MODIFICATIONS
- 3-STEP LED BINNING




PROFILE VIEW

Ø 1.50"



CATALOG CODES

AO2	-	B	-	C	-	MW	-	E	-	UNV	-	H	-	DM1	-	J		
SERIES		HANGING SYSTEM		SIZE		DIFFUSER		FINISH		LIGHT SOURCE		VOLTAGE		OAH		CONTROL		OPTIONS

SPECIFY CATALOG CODE					
A	B	C	D	E	
SERIES	HANGING SYSTEM	SIZE	DIFFUSER	STANDARD FINISHES	PREMIUM FINISHES
 AO2 ARO CLUSTER	P2DB TWO RING CLUSTER PENDANT WITH ANGLED AIRCRAFT CABLES AND POWER CORDS TO CANOPY WITH INTEGRAL DRIVER	36 (P2DB ONLY) 48 60 NOTE: SIZE DENOTES THE LARGEST DIAMETER RING IN THE 2-RING OR 3-RING CONFIGURATION	MW MATTE WHITE	POWDER COAT FINISHES BKP BLACK BMP BRASS METALLIC BNP BRONZE BTP BLACK TEXTURED GRP GRAPHITE GLP GOLDTASTIC MWP MATTE WHITE SGP STEEL GRAY SMP SILVER METALLIC SWP SKY WHITE WTP WHITE TEXTURED	METAL FINISHES BAL BRUSHED ALUMINUM EVERWOODS POWDER COAT FINISHES (BODY ONLY) WPDP WHITE PINE PNDP PINE CRDP CHERRY TKDP TEAK WLDP WALNUT DLDP DARK WALNUT LWDP LIGHT BARNWOOD DWDP DARK BARNWOOD
	P3DB THREE RING CLUSTER PENDANT WITH ANGLED AIRCRAFT CABLES AND POWER CORDS TO CANOPY WITH INTEGRAL DRIVER				

F			G	H	I	J
LIGHT SOURCE			VOLTAGE	OAH	CONTROL	OPTIONS
LED OUTPUT LED1 LED2	COLOR TEMP (80+ CRI) 27K 30K 35K 40K	COLOR TEMP (90+ CRI) 927K 930K 935K 940K	UNV 120-277	SPECIFY IN INCHES NOTE: SEE HANGING SYSTEM FOR DETAILS ON MIN/MAX OAH	DM1 0-10V DIMMING 1%	ULD UL DAMP LABEL BIOS BIOS SKYBLUE™ OR BIOS SKYBLUE™ DYNAMIC LIGHT ENGINE* MOD MODIFIED LUMINAIRE (CONTACT LOCAL REP)

SAMPLE CODE: AO2-P3DB-60-MW-MWP-LED1/27K-UNV-36-DM1

*Contact factory for BIOS SkyBlue® or BIOS SkyBlue® Dynamic light engine and control options.

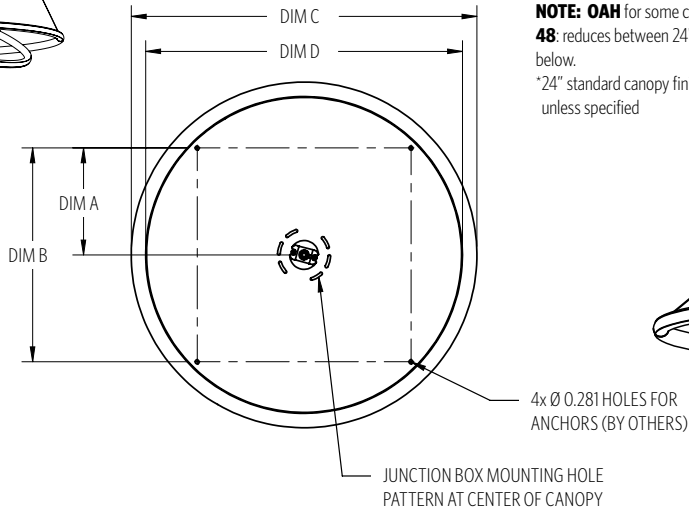
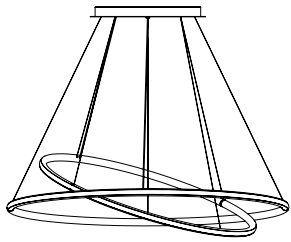
*24" standard canopy finished as specified. Fixtures using any Everwoods finish, canopy will be MWP unless specified

MODS, NOTES, & COMMENTS

LUMENS AND WATTAGE CHART		P2DB			P3DB	
		24/36	36/48	48/60	24/36/48	36/48/60
LED1	LUMENS DELIVERED	3540	4880	6220	6340	8300
	SYSTEM WATTAGE	60	80	105	105	140
LED2	LUMENS DELIVERED	5610	7380	9640	9640	13000
	SYSTEM WATTAGE	95	125	160	160	215

This chart was created for a 35K color temp. Multiply by 0.95 for 27k color temp, 0.97 for 30k color temp, and 1.03 for 40k color temp. Values shown for 80+ CRI. For 90+ CRI lumens use 0.85 multiplier.

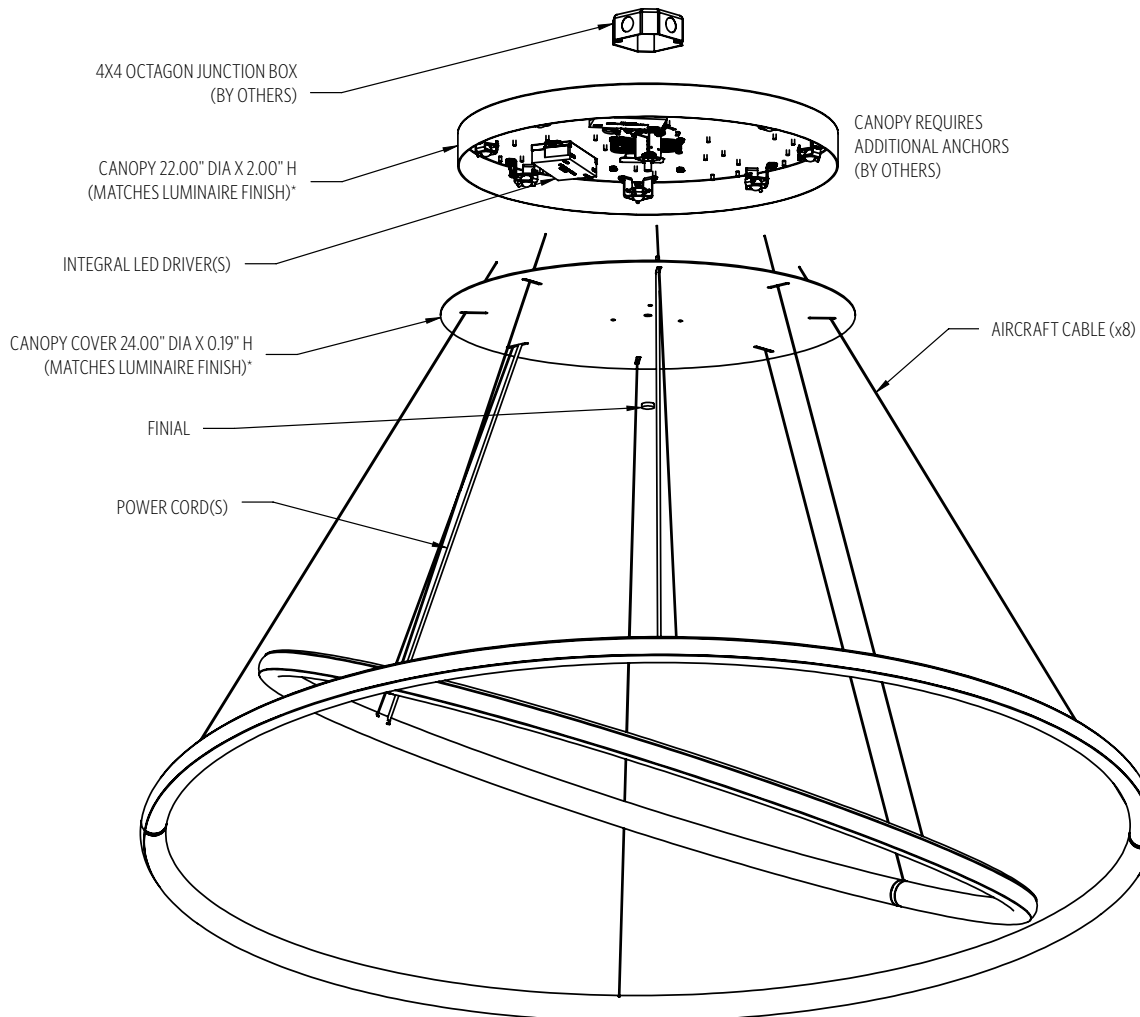
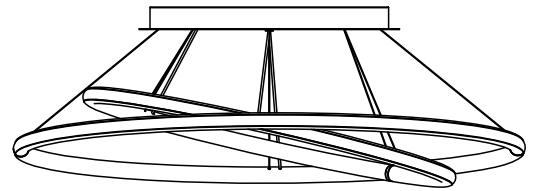
P2DB TWO CLUSTER PENDANT WITH ANGLED AIRCRAFT CABLES AND POWER CORD TO CANOPY WITH INTEGRAL DRIVER



MOUNTING INFORMATION CHART

LUMINAIRE DIAMETER	LUMINAIRE WEIGHT	DIM A	DIM B	DIM C	DIM D	MOUNTING POINTS	MIN/MAX OAH
36"	24 LBS	7.425"	14.85"	24"	22"	4	15"/144"
48"	30 LBS	7.425"	14.85"	24"	22"	4	17"/144"
60"	36 LBS	7.425"	14.85"	24"	22"	4	23"/144"

NOTE: OAH for some close to ceiling applications will gradually reduce the angle of the rings; **P2DB-48** reduces between 24" - 17" OAH; **P2DB-60** reduces between 42" - 23" OAH. See diagram example below.
*24" standard canopy finished as specified. Fixtures using any **Everwoods finish**, canopy will be **MWP** unless specified



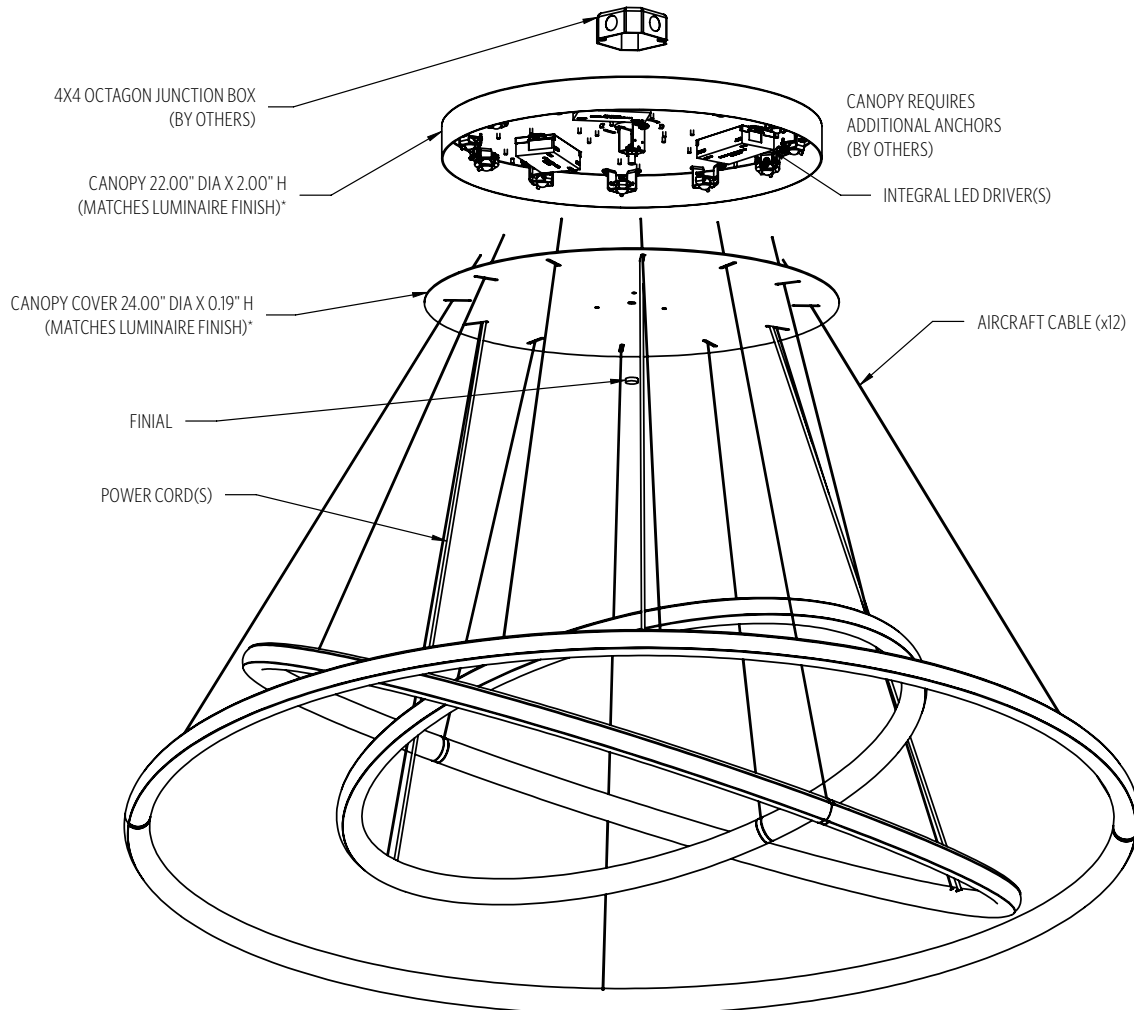
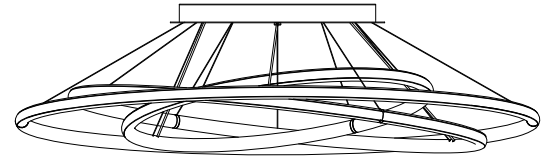
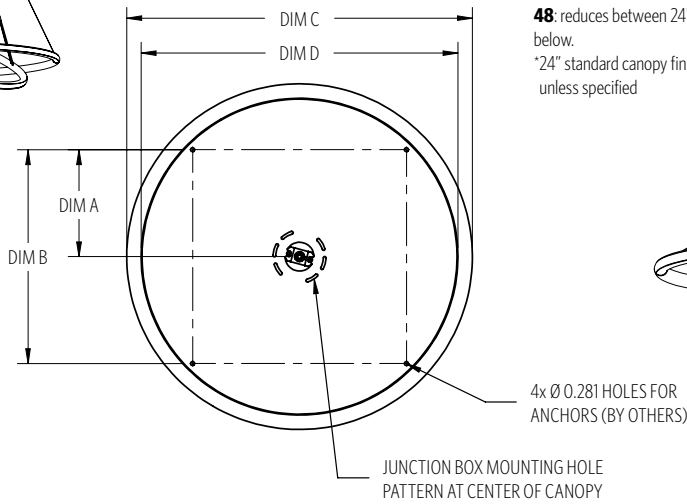
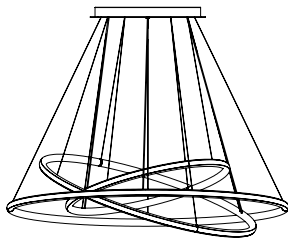
P3DB THREE CLUSTER PENDANT WITH ANGLED AIRCRAFT CABLES AND POWER CORD TO CANOPY WITH INTEGRAL DRIVER

MOUNTING INFORMATION CHART

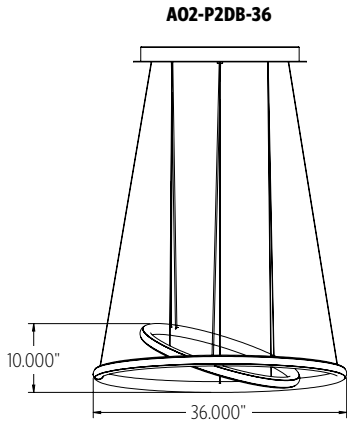
LUMINAIRE DIAMETER	LUMINAIRE WEIGHT	DIM A	DIM B	DIM C	DIM D	MOUNTING POINTS	MIN/MAX OAH
48"	36 LBS	7.425"	14.85"	24"	22"	4	17"/144"
60"	42 LBS	7.425"	14.85"	24"	22"	4	17"/144"

NOTE: OAH for some close to ceiling applications will gradually reduce the angle of the rings; **P3DB-48**: reduces between 24" - 17" OAH; **P3DB-60** reduces between 42" - 23" OAH. See diagram example below.

*24" standard canopy finished as specified. Fixtures using any **Everwoods finish**, canopy will be **MWP** unless specified

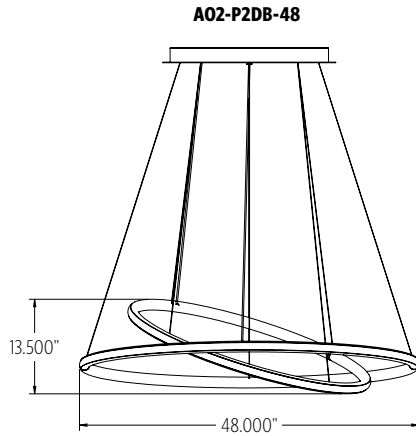


SIZES



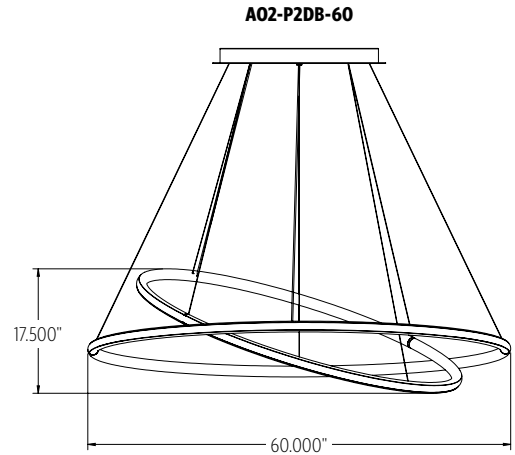
AO2-P2DB-36

24" + 36" RING



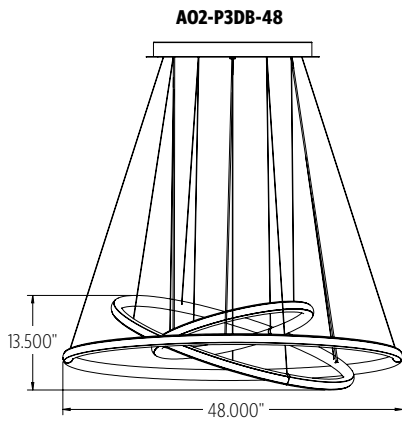
AO2-P2DB-48

36" + 48" RING



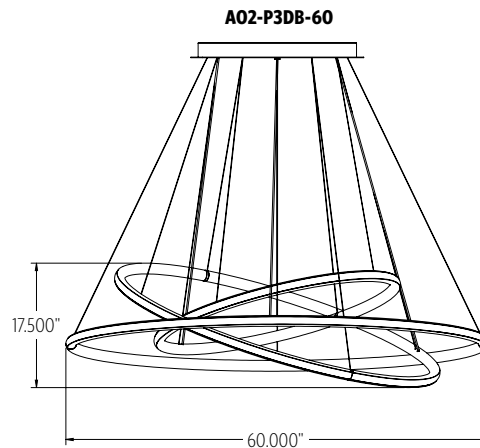
AO2-P2DB-60

48" + 60" RING



AO2-P3DB-48

24" + 36" + 48" RING



AO2-P3DB-60

36" + 48" + 60" RING

DIFFUSER



MW MATTE WHITE SILICONE LENS

FINISH

SOLID POWDER COAT FINISHES:



SMP SILVER



GRP GRAPHITE



SGP STEEL GRAY



GLP GOLDTASTIC



BMP BRASS



BNP BRONZE

PREMIUM METAL FINISHES:



BAL BRUSHED ALUMINUM

SOLID POWDER COAT FINISHES:



SWP SKY WHITE



MWP MATTE WHITE



BKP BLACK

TEXTURED POWDER COAT FINISHES:



BTP BLACK TEXTURED



WTP WHITE TEXTURED

RAL®, Pantone® or custom finishes are also available.

These colors are for reference only. Please be aware that colors may vary per monitor. Contact your local rep for finish samples or with any questions.

EVERWOODS POWDER COAT COLLECTION:



WPDP WHITE PINE



PNDP PINE



CRDP CHERRY



TKDP TEAK



WLDP WALNUT



DLDP DARK WALNUT



LWDP LIGHT BARNWOOD



DWDP DARK BARNWOOD

LIGHT SOURCE

LUMENS AND WATTAGE CHART		P2DB			P3DB	
		24/36	36/48	48/60	24/36/48	36/48/60
LED1	LUMENS DELIVERED	3540	4880	6220	6340	8300
	SYSTEM WATTAGE	60	80	105	105	140
LED2	LUMENS DELIVERED	5610	7380	9640	9640	13000
	SYSTEM WATTAGE	95	125	160	160	215

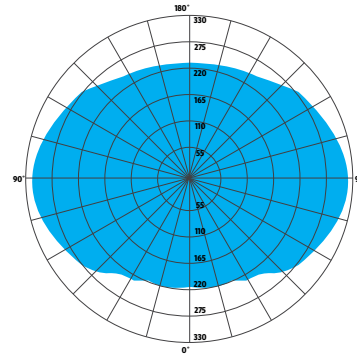
This chart was created for a 35K color temp. Multiply by 0.95 for 27k color temp, 0.97 for 30k color temp, and 1.03 for 40k color temp. Values shown for 80+ CRI. For 90+ CRI lumens use 0.85 multiplier.

PHOTOMETRY:

LUMINAIRE: NAO2-P2DB-36-MW-XXX-LED1/35K-UNV-XX-DM1
 COLOR TEMP #: 3500K
 OUTPUT: 3540
 TEST REPORT: CREATED BASED ON INTERTEK FILE: 105421703CHI-001

STANDARD COLOR TEMPERATURE OPTIONS	CRI	
2700K	80+	90+
3000K	80+	90+
3500K	80+	90+
4000K	80+	90+

For 80+ CRI - 80 RA, R9 > 0 (10-15 TYP); For 90+ CRI - 90 RA, R9 > 50



CONTROL

DM1 0-10V DIMMING 1%

- 0-10V DIMMING
- 1% MINIMUM DIM LEVEL
- LINEAR DIMMING CURVE
- ELECTRONIC DRIVER
- POWER FACTOR >0.9
- THD <20%
- MINIMUM AMBIENT OPERATING TEMPERATURE -22°F
- FIELD REPLACEABLE

OPTIONS

ULD DAMP LABEL LUMINAIRE

- MAY BE USED IN A OUTDOOR AREA THAT IS PROTECTED FROM DIRECT CONTACT WITH WIND, RAIN, SNOW OR EXCESSIVE MOISTURE

MOD MODIFIED LUMINAIRE

- LUMINAIRE IS MODIFIED FROM STANDARD OPTIONS. CONTACT LOCAL REP FOR MORE INFORMATION

• BIOS

- **BIOS SKYBLUE™ DYNAMIC** LIGHT ENGINE IS DIMMABLE AND FEATURES A SIMPLE APPROACH TO CIRCADIAN LIGHTING CONTROLS.
- WHEN PAIRED WITH THE BIOS BIO-DIMMING MODULE, IT OPERATES USING ANY SINGLE CHANNEL CONSTANT CURRENT (CC) LED DRIVER AND CAN BE USED WITH ANY STANDARD DIMMING INTERFACE/PROTOCOL (0-10V, ELV, DMX, WIRELESS) AND COULD WORK WITH EXISTING TWO-CHANNEL CONTROL SYSTEMS AS WELL.
- VISIT OCL.COM/BIOS FOR MORE INFORMATION

SPECIFICATIONS

CONSTRUCTION

- EXTRUDED ALUMINUM HOUSING PROFILE
- LENS IS EXTRUDED SILICONE
- STAINLESS STEEL AIRCRAFT CABLE
- HARDWARE IS ZINC PLATED STEEL OR STAINLESS STEEL
- CANOPY IS SPUN ALUMINUM

MOUNTING

- **P2DB** AND **P3DB** MOUNT TO 4X4" OCTAGON OR 4" ROUND J-BOX (BY OTHER) WITH ADDITIONAL ANCHORS REQUIRED (BY OTHERS)

ELECTRICAL

- DIMMING ELECTRONIC DRIVER(S), COMES STANDARD WITH 0-10V DOWN TO 10%
- OCL PROPRIETARY LED ARRAYS USE NICHIA 757 DIODES
- 3 STEP BINNING
- LUMINAIRE CONNECTS TO BUILDING SUPPLY (120V-277V 50/60HZ) (UNLESS DRIVERS ARE REMOTE)

LISTING

- ETL LISTED TO UL 1598 FOR INDOOR, DRY LOCATION [DAMP LOCATION OPTIONAL]

WARRANTY

- 5 YEAR; ALL ELECTRICAL COMPONENTS RETAIN THE MANUFACTURER'S WARRANTY

SUSTAINABILITY

- THIS PRODUCT MEETS THE MATERIAL RESTRICTIONS OF ARTICLE 4 OF THE **ROHS** DIRECTIVE (2011/65/EU), INCLUDING COMMISSION DELEGATED DIRECTIVE 2015/863
- **BIOS** LIGHTING CONTRIBUTES TOWARD THE CIRCADIAN LIGHTING DESIGN FEATURE 54 UNDER THE **WELL BUILDING STANDARD™ V1** AND FEATURE L03 UNDER THE **WELL BUILDING STANDARD V2**

COMMON MODIFICATIONS

WE'RE BUILT FOR OUT-OF-THE-BOX THINKERS.

Nearly 50% of OCL fixtures we manufacture have some type of modification. Here is a list of common modifications we frequently produce. **Please contact the factory for modifications specific to your fixture or project.**

Need some help? Simply send your questions to us at OCL-Quotes@ocl.com

- BIOS, TUNABLE WHITE, WARM-DIM, & RGBW LIGHT SOURCES
- SPECIFIC LUMEN OUTPUT
- MODIFIED CLUSTERS OR CONFIGURATIONS / MULTI-DROP CANOPIES
- VARIOUS SHAPES, ARCS, AND CURVES FOR LINEAR PROFILES AND RINGS
- CEILING OR SURFACE MOUNTING
- LARGE SCALE MODIFICATIONS
- RAL, PANTONE, BRAND-SPECIFIC, RETIRED OCL COLOR, OR CUSTOM FINISHES



- EMERGENCY BATTERY BACKUP OR INVERTER OPTIONS
- REMOTE DRIVERS / EXTENDED DISTANCE REMOTE DRIVERS
- DIMMING TO 0.1% (DIM TO DARK)
- NON-STANDARD SIZES OR LENGTHS
- NON-STANDARD CANOPY, BODY AND/OR CORD COLORS
- SEISMIC AND/OR ANTI-SWAY SYSTEMS
- RIGID STEMS
- MODIFIED OVERALL HEIGHTS (LONGER OR SHORTER OAH)
- UPLIGHT ADDITIONS
- LASER ETCHING, ENGRAVING, AND CUTOUTS

The drawings and specifications and ideas, designs and arrangements represented on these drawings are and shall remain the property of The Original Cast Lighting (OCL Architectural Lighting) and no part thereof shall be copied, disclosed, to others or used in conjunction with any work or project other than the specified project for which they have been prepared and developed, without written consent of OCL. Visual contact with these plans or specifications shall constitute conclusive evidence of acceptance of these restrictions. All specifications and information subject to change without notice.