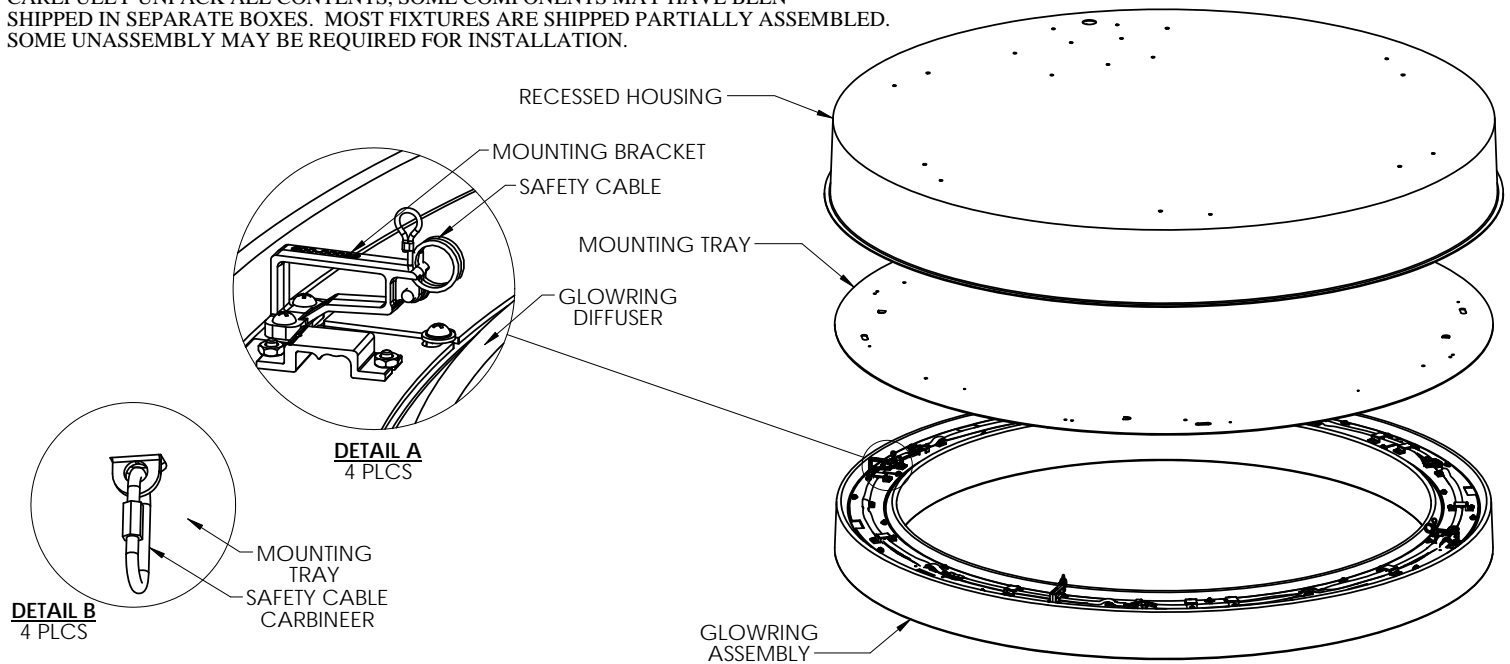


**INSTALLATION INSTRUCTIONS**

INSTALL IN ACCORDANCE WITH ALL LOCAL, STATE AND NATIONAL CODES  
CONSULT WITH A QUALIFIED ELECTRICIAN FOR PROPER INSTALLATION.

CAREFULLY UNPACK ALL CONTENTS, SOME COMPONENTS MAY HAVE BEEN SHIPPED IN SEPARATE BOXES. MOST FIXTURES ARE SHIPPED PARTIALLY ASSEMBLED. SOME UNASSEMBLY MAY BE REQUIRED FOR INSTALLATION.



- 1) TURN OFF POWER TO CIRCUIT THE FIXTURE WILL BE INSTALLED ON.
- 2) INSTALL STRUT CHANNEL AS PER DIMENSIONS IN **FIG. D ON SHEET 2** [PRIOR TO CLOSING CEILING].
- 3) INSTALL 1/4-20 THREADED RODS INTO STRUT CHANNELS IN LOCATIONS SHOWN IN **FIG. D ON SHEET 2**. [24" AND 36" SIZES WILL HAVE FOUR RODS AND THE 48" SIZE WILL HAVE SIX].
- 4) 1/4-20 THREADED RODS SHOULD PROTRUDE THROUGH THE RECESSED HOUSING BY A MINIMUM OF 0.375" AND A MAXIMUM OF 0.5", AS SHOWN ON **FIG. C ON SHEET 2**.
- 5) INSTALL JUNCTION BOX [BY OTHER] ABOVE THE FIXTURE MOUNTING LOCATION TO ATTACHED BUILDING SUPPLY WIRING TO FIXTURE. NOTE THE LOCATION OF THE 3/4" CONDUIT ENTRY POINT ON THE FIXTURE IN **FIG. D ON SHEET 2**.
- 6) UNPACKAGE FIXTURE AND SEPARATE GLOWRING ASSEMBLY FROM RECESSED HOUSING BY ROTATING COUNTER-CLOCKWISE.
- 7) UNSCREW HARDWARE FROM MOUNTING TRAY TO CAREFULLY LOWER OUT OF PLACE AND SET ASIDE. BE CAREFUL NOT TO DAMAGE FINISH.
- 8) **FOR GRID CEILING:**  
MOUNT RECESSED HOUSING AND FASTEN TO THE 1/4-20 RODS WITH HEX NUT [BY OTHER], ENSURING THAT THE FLANGE COINCIDES WITH THE DESIGNATED HEIGHT OF THE GRID CEILING.
- 8) **FOR HARD CEILING:**  
MOUNT RECESSED HOUSING AND FASTEN TO THE 1/4-20 RODS WITH HEX NUT [BY OTHER], ENSURING THAT THE FLANGE COINCIDES WITH THE DRY WALL CEILING SURFACE.
- 9) FEED BUILDING SUPPLY WIRE INTO THE FIXTURE HOUSING AND MAKE ALL WIRE CONNECTIONS IN ACCORDANCE WITH THE NATIONAL ELECTRIC CODE AND APPLICABLE LOCAL AND STATE CODES. [SEE SHEET 3 FOR **WIRING DIAGRAM**].
- 10) RAISE AND INSTALL MOUNTING TRAY RE-USING HARDWARE REMOVED FROM STEP 7. ROUTE WIRE HARNESS THROUGH MOUNTING TRAY PRIOR TO INSTALLATION.
- 11) WITH MULTIPLE PEOPLE, RAISE UP GLOWRING FIXTURE ASSEMBLY AND ATTACH THE PROVIDED SAFETY CABLES TO THE CARABINERS ON CEILING MOUNT ASSEMBLY. SEE **DETAIL A** AND **DETAIL B**.
- 12) CONNECT WIRE HARNESS ON GLOWRING ASSEMBLY TO WIRE HARNESS PREVIOUSLY FED THROUGH MOUNTING TRAY IN STEP 10.
- 11) ROTATE GLOWRING ASSEMBLY COUNTER-CLOCKWISE TO RAISE THE FIXTURE UP TO THE MOUNTING TRAY. ONCE TIGHT AGAINST MOUNTING TRAY, ROTATE GLOWRING ASSEMBLY CLOCK-WISE (WHILE APPLYING UPWARD FORCE) UNTIL YOU HEAR/FEEL FIXTURE ENGAGE MOUNTING CLIPS. IT MAY TAKE FORCE TO OVERCOME AND ENGAGE MOUNTING CLIPS. SOFTLY ROTATE FIXTURE COUNTER-CLOCKWISE TO ENSURE FIXTURE IS FULLY SEATED IN MOUNTING CLIPS.
- 12) **FOR GRID CEILINGS ONLY:** INSTALL THE SURROUNDING TILES INTO THE CEILING GRID.
- 13) RESTORE POWER.

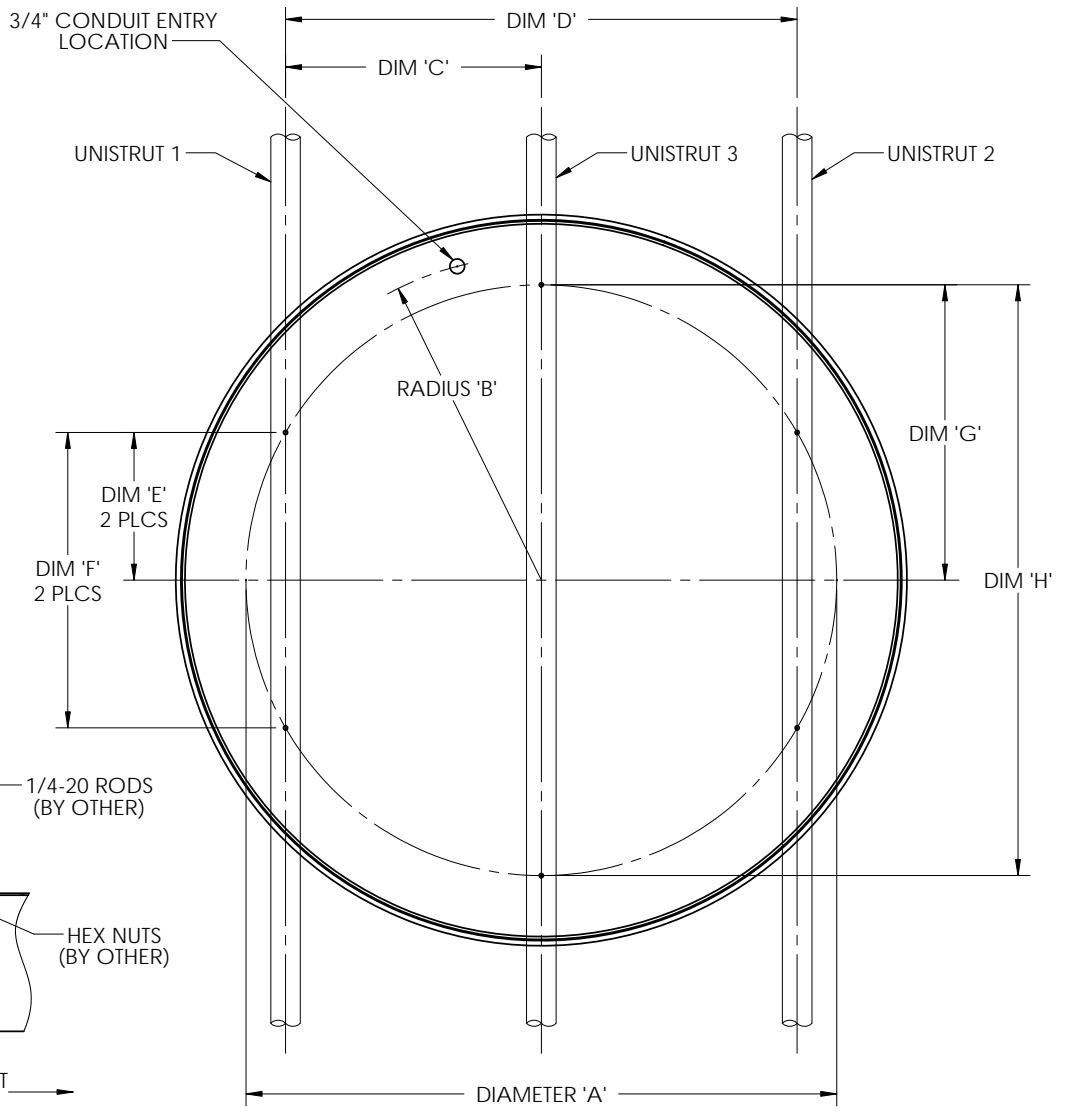


FIG. C

FIG. D

FIXTURE DIAMETER	DIAMETER 'A'	RADIUS 'B'	UNISTRUT POSITIONS		MOUNTING HOLE POSITIONS				CEILING CUTOUT DIAMETER (±.125)	FIXTURE WEIGHT
			DIM 'C'	DIM 'D'	DIM 'E'	DIM 'F'	DIM 'G'	DIM 'H'		
24"	16.00"	10.00"	5.66"	11.31"	5.66"	11.31"	-	-	25.125	16 lbs
36"	28.00"	16.00"	9.90"	19.80"	9.90"	19.80"	-	-	32.125	28 lbs
48"	40.00"	22.00"	17.32"	34.64"	10.00"	20.00"	20.00"	40.00"	49.125	60 lbs

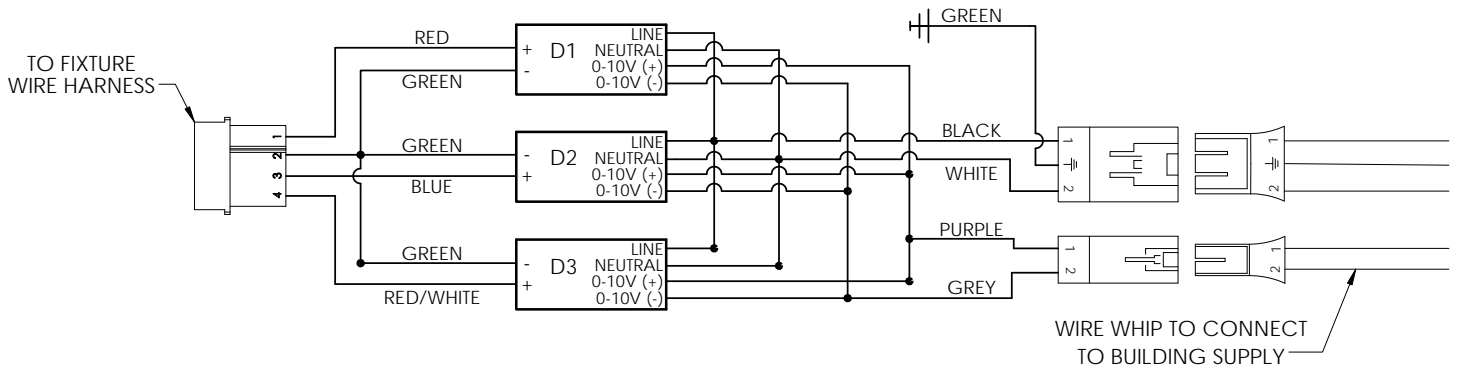
**24" AND 36"**

- HAS 4x Ø0.281 MOUNTING LOCATIONS, SPACED AT 90°
- USES UNISTRUTS 1 & 2 ONLY

**48"**

- HAS 6x Ø0.281 MOUNTING LOCATIONS SPACED AT 60°
- USES ALL 3 UNISTRUTS

# WIRING DIAGRAM



**FIXTURE CORD WIRES:**

- RED WIRE = DRIVER 1 LED (+)
- RED/ WHITE WIRE = DRIVER 2 LED (+)
- RED/PURPLE WIRE = DRIVER 3 LED (+)
- BLACK WIRE = DRIVER 1,2 AND 3 LED (-)

**NOTES:**

- FOR 24" AND 36" GLOWRING ONLY USES DRIVER 1 AND 2.
- FOR 48" GLOWRING USES ALL DRIVERS