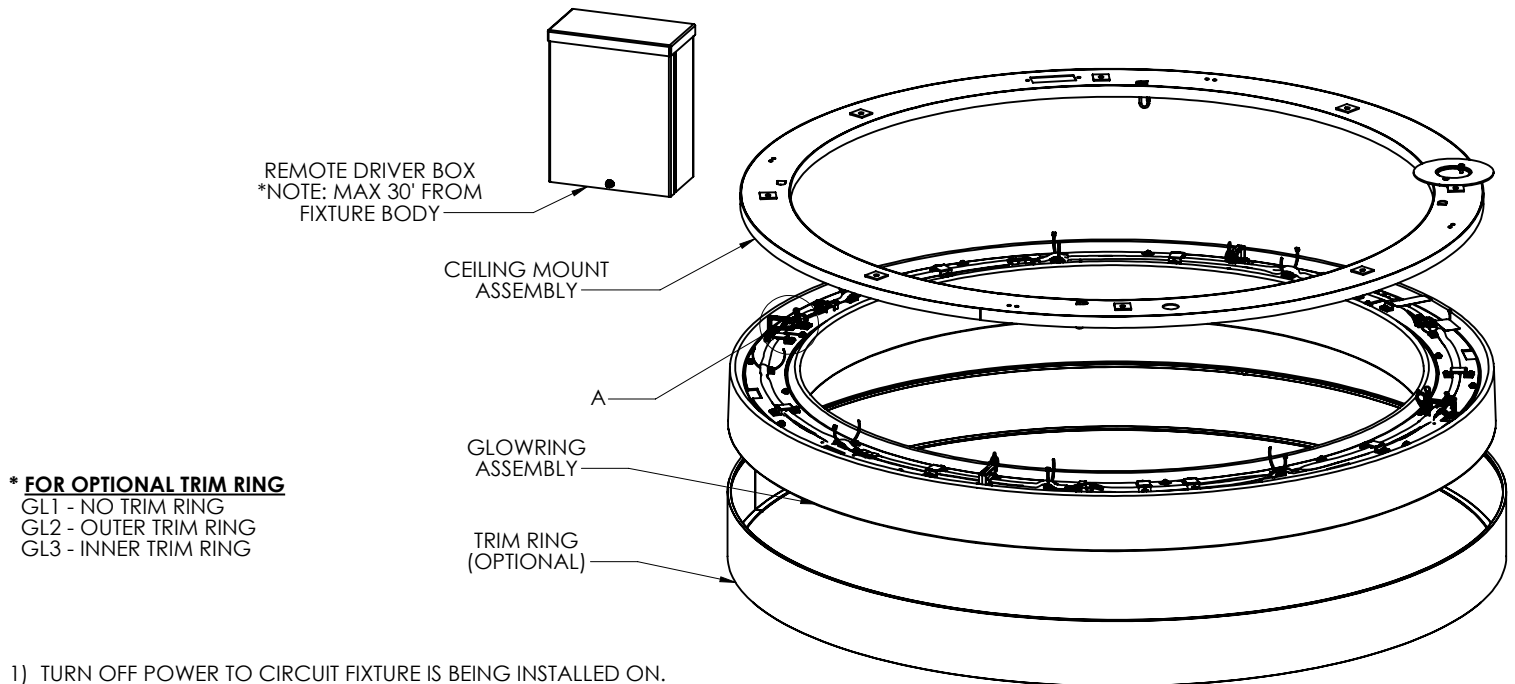


INSTALLATION INSTRUCTIONS

INSTALL IN ACCORDANCE WITH ALL LOCAL, STATE AND NATIONAL CODES
CONSULT WITH A QUALIFIED ELECTRICIAN FOR PROPER INSTALLATION.

CAREFULLY UNPACK ALL CONTENTS, SOME COMPONENTS MAY HAVE BEEN
SHIPPED IN SEPARATE BOXES. MOST FIXTURES ARE SHIPPED PARTIALLY ASSEMBLED.
SOME UNASSEMBLY MAY BE REQUIRED FOR INSTALLATION.

***FIXTURE POWER WIRES ARE LOW*
VOLTAGE. DO NOT CONNECT TO LINE
VOLTAGE OR DAMAGE TO THE FIXTURE WILL
OCCUR AND WARRANTY WILL BE VOIDED.**



1) TURN OFF POWER TO CIRCUIT FIXTURE IS BEING INSTALLED ON.

2) MOUNT THE REMOTE DRIVER HOUSING TO CODE IN A LOCATION THAT IS 30 FEET OR LESS FROM THE FIXTURE BODY AND IS ACCESSIBLE AFTER INSTALL. CONNECT DRIVERS TO BUILDING SUPPLY WIRES AND RUN 16 GAUGE WIRES (SEE WIRING DIAGRAM ON SHEET 2), OR LARGER, TO THE JUNCTION BOX THE FIXTURE WILL MOUNT TO (WIRES BY OTHERS). MAKE ALL WIRE CONNECTIONS IN ACCORDANCE TO THE NATIONAL ELECTRIC CODE AND APPLICABLE LOCAL AND STATE CODES.

DRIVER WIRES:

BLACK WIRE = LINE VOLTAGE
WHITE WIRE = NEUTRAL
GREEN WIRE = GROUND

0-10V DIMMING OPTION ONLY:

PURPLE WIRE = 0-10 VOLT DIMMING (+)
GREY WIRE = 0-10 VOLT DIMMING (-)

3) MARK ANCHOR HOLE LOCATIONS IN CEILING [SEE FIG. A. ON SHEET 2]

-FOR HARD CEILING, INSERT #8 ANCHORS [BY OTHER]. MAKE SURE EACH ANCHOR IS RATED TO 50 LBS. AND IS SUITABLE FOR THE CEILING MATERIAL.

-FOR GRID CEILING INSTALL 1/4-20 RODS. 1/4-20 RODS SHOULD PROTRUDE PAST THE BOTTOM OF THE CEILING SURFACE .375".

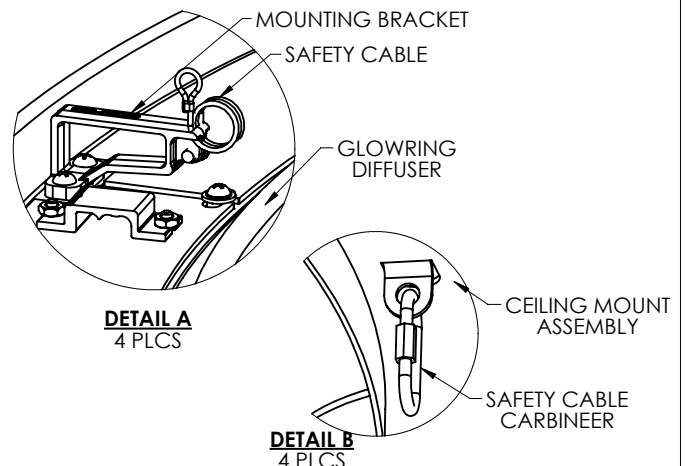
5) UNPACK GLOWRING ASSEMBLY AND SEPARATE CEILING MOUNT ASSEMBLY FROM GLOWRING ASSEMBLY (MAY HAVE TO ROTATE CEILING MOUNT ASSEMBLY COUNTER CLOCK-WISE TO DISENGAGE MOUNTING CLIPS). MOUNT CEILING MOUNT ASSEMBLY TO ANCHORS INSTALLED IN STEP 3.

6) WITH MULTIPLE PEOPLE, RAISE UP GLOWRING ASSEMBLY AND ATTACH THE PROVIDED SAFETY CABLES TO THE CARBINERS ON CEILING MOUNT ASSEMBLY. SEE **DETAIL A** AND **B**

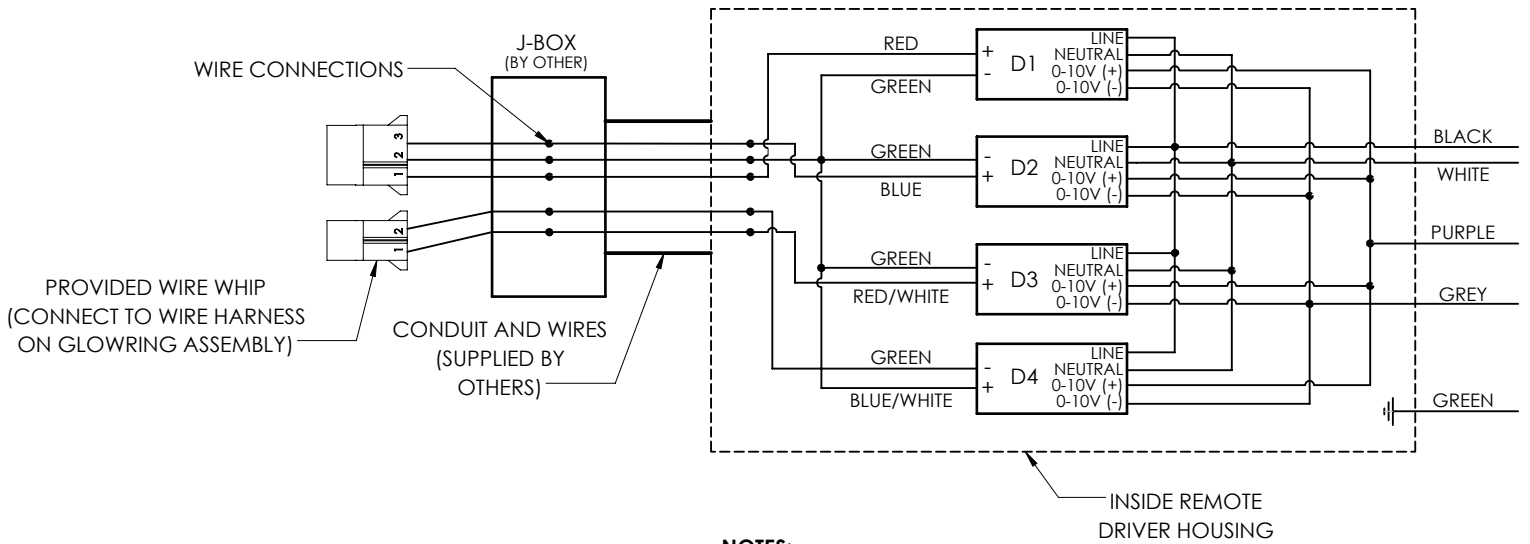
7) MAKE ALL WIRE CONNECTIONS IN J-BOX (BY OTHER) BETWEEN THE FIXTURE WIRES AND THE LOW VOLTAGE WIRES THAT WERE RAN IN STEP 2 IN ACCORDANCE WITH THE NATIONAL ELECTRIC CODE AND APPLICABLE LOCAL AND STATE CODES. [SEE SHEET 2 FOR WIRE DIAGRAM]

8) ROTATE GLOWRING ASSEMBLY CLOCK-WISE TO RAISE THE FIXTURE UP TO THE MOUNTING TRAY. ONCE TIGHT AGAINST MOUNTING TRAY, ROTATE GLOWRING ASSEMBLY COUNTER CLOCK-WISE (WHILE APPLYING UPWARD FORCE) UNTIL YOU HEAR/FEEL THE MOUNTING CLIPS ENGAGED. IT MAY TAKE SOME FORCE TO ENGAGE MOUNTING CLIPS. ONCE ENGAGED, LET GLOWRING ASSEMBLY REST ON MOUNTING CLIPS. SOFTLY ROTATE FIXTURE CLOCK-WISE TO ENSURE FIXTURE IS FULLY SEATED IN MOUNTING CLIPS.

9) RESTORE POWER.



WIRING DIAGRAM



FIXTURE CORD WIRES:

- RED WIRE = DRIVER 1 LED (+)
- RED/ WHITE WIRE = DRIVER 2 LED (+)
- RED/PURPLE WIRE = DRIVER 3 LED (+)
- RED/ GRAY WIRE = DRIVER 4 LED (+)
- BLACK WIRE = DRIVER 1, 2, 3 AND 4 LED (-)

NOTES:

FOR 24" AND 36" GLOWRING ONLY USES DRIVER 1 AND 2.

FOR 48" GLOWRING ONLY USES DRIVER 1, 2, AND 3.

FOR 60", 72", AND 84" GLOWRING USE ALL 4 DRIVERS.

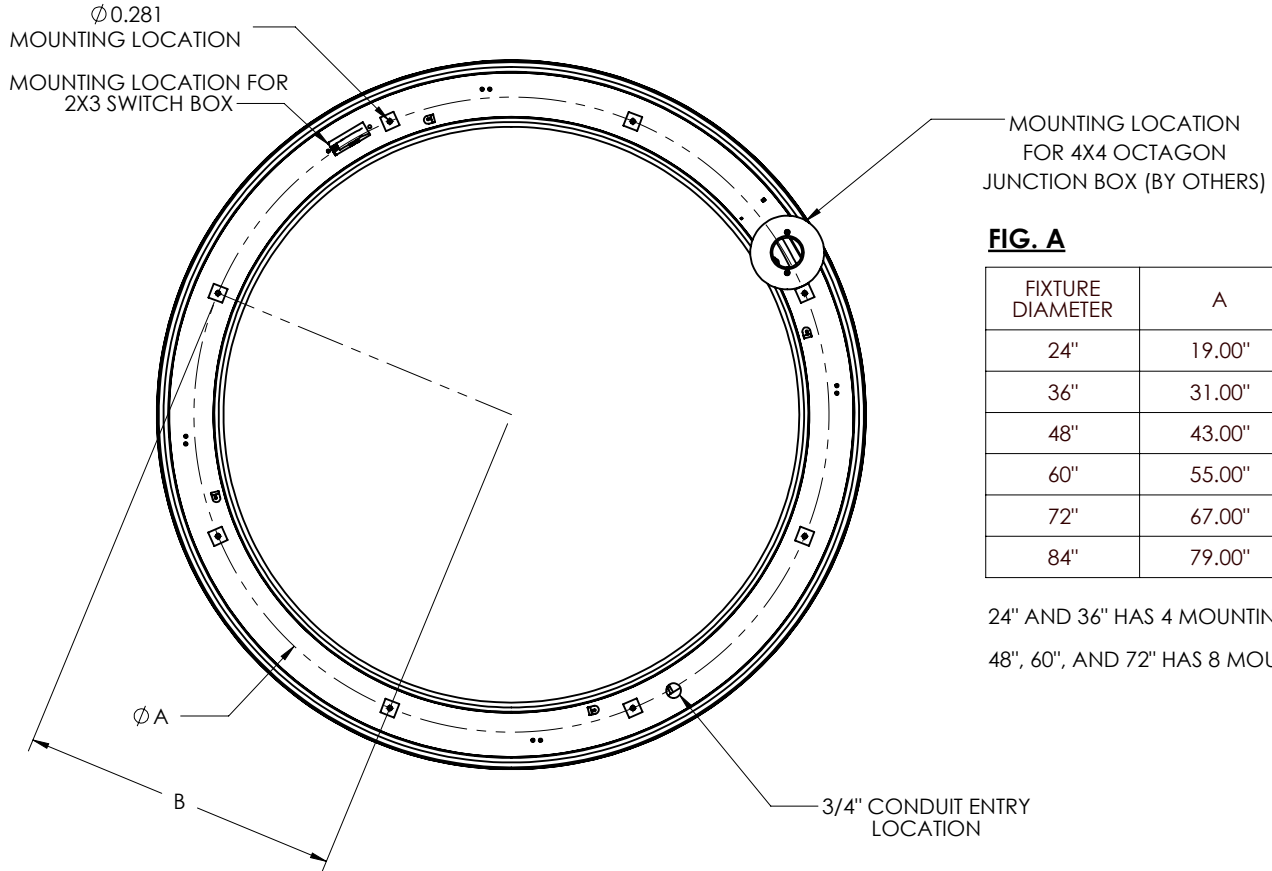


FIG. A

FIXTURE DIAMETER	A	B
24"	19.00"	9.50"
36"	31.00"	15.5"
48"	43.00"	21.50"
60"	55.00"	27.50"
72"	67.00"	33.50"
84"	79.00"	39.50"

24" AND 36" HAS 4 MOUNTING LOCATIONS
 48", 60", AND 72" HAS 8 MOUNTING LOCATIONS