

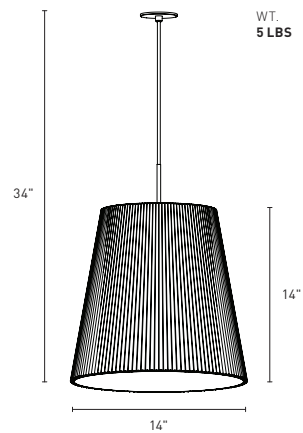
Pleatz™

PENDANT

> FEATURES

- Retro design with modern materials, and performance.
- Seamless one piece molded plastic diffuser.
- Performance diffuser allows high transmission, zero LED imaging and low glare.
- Choose aluminum or brass accent finishes for a dynamic appearance.
- Integral LED drivers.
- Field replaceable LEDs and drivers.
- LED reliability L70>100,000 hours.
- 3 step LED binning.
- Contact factory for additional modifications or options.

> MEASUREMENTS



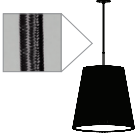


> MATCHING FIXTURES

- Ceiling



PZ1-P1CC-14-MW-BBR

SERIES	HANGING SYSTEM	SIZE	DIFFUSER	FINISH	LIGHT SOURCE	VOLTAGE	OA#	OPTIONS	
 PZ1	P1CB PENDANT WITH A SINGLE WHITE POWER CORD 	14	MW MATTE WHITE ACRYLIC	BAL BRUSHED ALUMINUM BBR BRUSHED BRASS AWP AUTUMN WHITE PAINT BEP BEIGE PAINT BKP BLACK PAINT BLP BLUE PAINT BMP BRASS METALLIC PAINT BNP BRONZE PAINT BTP BLACK TEXTURED PAINT CHP COPPER HAMMERTONE PAINT CMP COPPER METALLIC PAINT DBP DENIM BLUE PAINT GRP GRAPHITE PAINT GTP GRAY TEXTURED PAINT HEP HENNA PAINT KAP KHAKI PAINT LBP LIGHT BRONZE PAINT MWP MATTE WHITE PAINT RHP RESEDA HAMMERTONE PAINT SAP SAGE GREEN PAINT SGP STEEL GRAY PAINT SHP SILVER HAMMERTONE PAINT SMP SILVER METALLIC PAINT SRP STORM GRAY PAINT SWP SKY WHITE PAINT WTP WHITE TEXTURED PAINT	LED OUTPUT LED1 LED2	COLOR TEMP 27K 30K 35K 40K	UNV 120-277	SPECIFY IN INCHES	DM0 0-10V DIMMING 10% DM1 0-10V DIMMING 1% DM3 LUTRON HI-LUME ECOSYSTEM 1% ULD UL DAMP LABEL
	P1CC PENDANT WITH A SINGLE BLACK POWER CORD 								

✓ SPECIFY CATALOG CODE

SAMPLE CODE: PZ1-P1CC-14-MW-BBR-LED1/35K-120-34

PHOTOMETRIC INFORMATION AVAILABLE AT WWW.OCL.COM

> **FIXTURE SPECIFICATIONS**

- Fixture mounts to a standard 4" octagon J-box (supplied by other).
- Standard fixture includes 5" dia. x .25" tall white canopy.
- Various types of dimming drivers available, controls not included.
- Integral Class II LED drivers - 120-277VAC 50/60Hz.
- Typical LED CRI 80+.
- For photometric data, please visit www.ocl.com.
- Structural mounting required for fixtures over 50 lbs.
- For mounting instructions, please contact factory.
- Five year product warranty.
- All specifications and information subject to change without notice. See submittal for current specifications and information.

> **LIGHT SOURCE PERFORMANCE CHART**

Wattage and lumen data approx. pending LM-79 testing.

		SIZE
		14
LED1	LUMENS DELIVERED	1650
	SYSTEM WATTAGE	15
LED2	LUMENS DELIVERED	2500
	SYSTEM WATTAGE	25

