

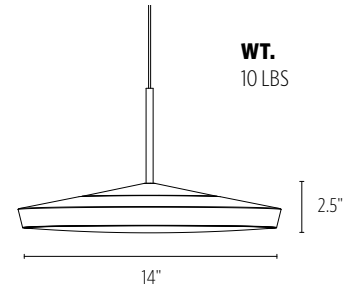


Centro™

PENDANT

FEATURES

- DIE-CAST ALUMINUM LIGHT SOURCE ASSEMBLY
- THREAD-IN DIFFUSER
- PERFORMANCE DIFFUSER ALLOWS HIGH TRANSMISSION AND ZERO LED IMAGING
- INTEGRAL LED DRIVERS
- FIELD REPLACEABLE LIGHT SOURCE ASSEMBLY AND DRIVERS



WT.
10 LBS



CATALOG CODES

CT1	-	B	-	14	-	MW	-	E	-	UNV	-	H	-	I	-	J		
SERIES		HANGING SYSTEM		SIZE		DIFFUSER		FINISH		LIGHT SOURCE		VOLTAGE		OAH		CONTROL		OPTIONS

SPECIFY CATALOG CODE

A	B	C	D	E
SERIES	HANGING SYSTEM	SIZE	DIFFUSER	FINISH
 CT1 CENTRO	P1CB PENDANT WITH SURFACE MOUNT CANOPY, SINGLE WHITE POWER CORD; MOUNTS TO 4X4 OCTAGON J-BOX (BY OTHERS)	14	MW MATTE WHITE	POWDER COAT FINISHES AWP AUTUMN WHITE HEP HENNA BEP BEIGE KAP KHAKI BKP BLACK LBP LIGHT BRONZE BLP BLUE MWP MATTE WHITE BMP BRASS METALLIC RHP RESEDA HAMMERTONE BNP BRONZE SAP SAGE GREEN BTP BLACK TEXTURED SGP STEEL GRAY CHP COPPER HAMMERTONE SHP SILVER HAMMERTONE CMP COPPER METALLIC SMP SILVER METALLIC DBP DENIM BLUE SRP STORM GRAY GRP GRAPHITE SWP SKY WHITE GTP GRAY TEXTURED WTP WHITE TEXTURED
	P1CC PENDANT WITH SURFACE MOUNT CANOPY, SINGLE BLACK POWER CORD; MOUNTS TO 4X4 OCTAGON J-BOX (BY OTHERS)			
	P1CF PENDANT WITH SURFACE MOUNT CANOPY, SINGLE SILVER POWER CORD; MOUNTS TO 4X4 OCTAGON J-BOX (BY OTHERS)			
	P1FC PENDANT WITH FLAT CANOPY, SINGLE WHITE POWER CORD; MOUNTS TO OCL RECESSED J-BOX (PROVIDED BY OCL)			
	P1FD PENDANT WITH FLAT CANOPY, SINGLE BLACK POWER CORD; MOUNTS TO OCL RECESSED J-BOX (PROVIDED BY OCL)			
	P1FE PENDANT WITH FLAT CANOPY, SINGLE SILVER POWER CORD; MOUNTS TO OCL RECESSED J-BOX (PROVIDED BY OCL)			

F		G	H	I	J
LIGHT SOURCE		VOLTAGE	OAH	CONTROL	OPTIONS
LED OUTPUT LED1 LED2 LED3	COLOR TEMP 27K 30K 35K 40K	UNV 120-277	SPECIFY IN INCHES	DM1 0-10V DIMMING 1% DM3 LUTRON HI-LUME ECOSYSTEM 1% (LDEI)	ULD DAMP LABEL MOD MODIFIED LUMINAIRE (CONTACT LOCAL REP)

SAMPLE CODE: CT1-P1CB-14-MW-BKP-LED1/27K-UNV-36-DM1

UP TO **110** LM/W

LUMENS AND WATTAGE CHART		SIZE
		14"
LED1	LUMENS DELIVERED	1650
	SYSTEM WATTAGE	15
LED2	LUMENS DELIVERED	2750
	SYSTEM WATTAGE	25
LED3	LUMENS DELIVERED	3850
	SYSTEM WATTAGE	35

This chart was created for a 35K color temp. Multiply by 0.95 for 27k color temp, 0.97 for 30k color temp, and 1.03 for 40k color temp.

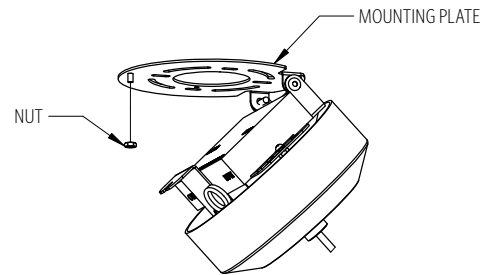
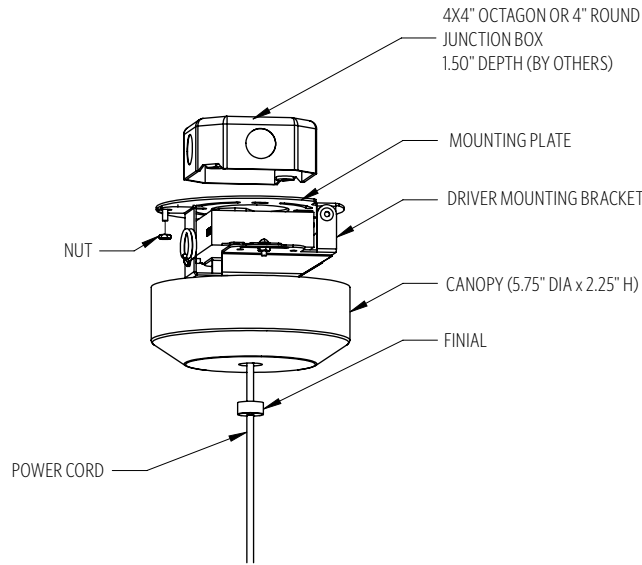
MODS, NOTES, & COMMENTS

HANGING SYSTEM

- P1CB** PENDANT WITH SURFACE MOUNT CANOPY, SINGLE **WHITE** POWER CORD; MOUNTS TO 4X4 OCTAGON J-BOX (BY OTHERS)
- P1CC** PENDANT WITH SURFACE MOUNT CANOPY, SINGLE **BLACK** POWER CORD; MOUNTS TO 4X4 OCTAGON J-BOX (BY OTHERS)
- P1CF** PENDANT WITH SURFACE MOUNT CANOPY, SINGLE **SILVER** POWER CORD; MOUNTS TO 4X4 OCTAGON J-BOX (BY OTHERS)

MOUNTING INFORMATION CHART

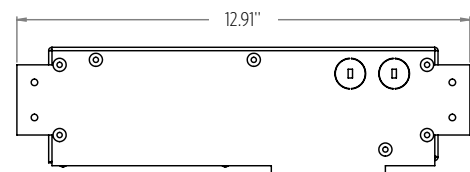
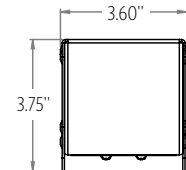
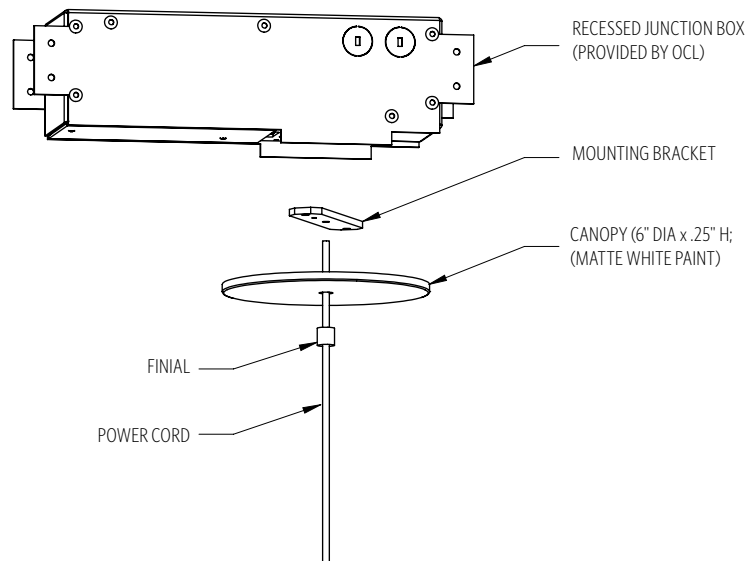
LUMINAIRE DIAMETER	LUMINAIRE WEIGHT	MIN/MAX OAH
14"	10 LBS	14"/144"



- P1FC** PENDANT WITH FLAT CANOPY, SINGLE **WHITE** POWER CORD; MOUNTS TO OCL RECESSED J-BOX (PROVIDED BY OCL)
- P1FD** PENDANT WITH FLAT CANOPY, SINGLE **BLACK** POWER CORD; MOUNTS TO OCL RECESSED J-BOX (PROVIDED BY OCL)
- P1FE** PENDANT WITH FLAT CANOPY, SINGLE **SILVER** POWER CORD; MOUNTS TO OCL RECESSED J-BOX (PROVIDED BY OCL)

MOUNTING INFORMATION CHART

LUMINAIRE DIAMETER	LUMINAIRE WEIGHT	MIN/MAX OAH
14"	10 LBS	11"/144"



PROFILE VIEW
RECESSED JUNCTION BOX

DIFFUSER

FINISH



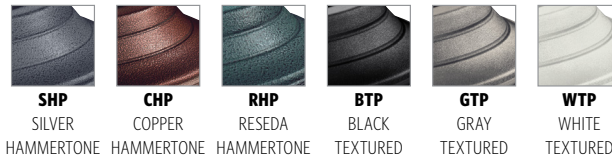
SOLID POWDER COAT FINISHES:



METALLIC POWDER COAT FINISHES:



TEXTURED POWDER COAT FINISHES:



These colors are for reference only. Please be aware that colors may vary per monitor. Please contact your sales rep for finish samples.

LIGHT SOURCE

LUMENS AND WATTAGE CHART		SIZE
		14"
LED1	LUMENS DELIVERED	1650
	SYSTEM WATTAGE	15
LED2	LUMENS DELIVERED	2750
	SYSTEM WATTAGE	25
LED3	LUMENS DELIVERED	3850
	SYSTEM WATTAGE	35

STANDARD COLOR TEMPERATURE OPTIONS	CRI
2700K	80+
3000K	80+
3500K	80+
4000K	80+

LUMEN MAINTENANCE

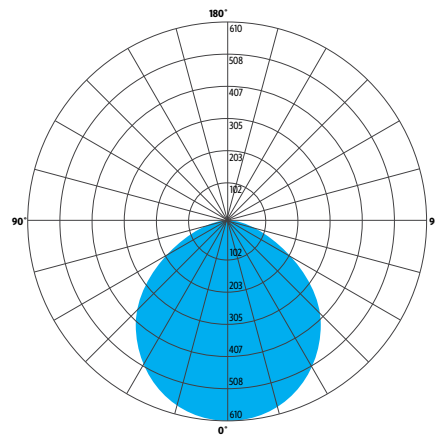
REPORTED:	L70 AT >60,000 HRS
CALCULATED:	L70 AT 185,000 HRS
REPORTED:	L90 AT 54,000 HRS
CALCULATED:	L90 AT 54,000 HRS

Derived from EPA TM-21 calculator. Based on typical conditions. Consult the factory for additional details

This chart was created for a 35K color temp. Multiply by 0.95 for 27k color temp, 0.97 for 30k color temp, and 1.03 for 40k color temp.

PHOTOMETRY:

LUMINAIRE: CT1-CINA-14-GW-XXX-LED2_35K-UNV
 COLOR TEMP #: 3500K
 EFFICACY: 110 LM/W
 TEST REPORT: TEST NO. 19811.0



ZONE	LUMENS	% OF LUMINAIRE
0-30	772	28%
0-60	2220	81%
0-90	2742	100%
90-180	0	0

CONTROL

DM1 0-10V DIMMING 1%

- 0-10V DIMMING
- 1% MINIMUM DIM LEVEL
- ELECTRONIC DRIVER
- POWER FACTOR >0.9
- THD <20%
- MINIMUM AMBIENT OPERATING TEMPERATURE -22°F
- FIELD REPLACEABLE

DM3 LUTRON HI-LUME ECOSYSTEM 1%

- LUTRON HI-LUME SOFT-ON, FADE-TO-BLACK 1%, ECOSYSTEM, LDE1
- ELECTRONIC DRIVER
- POWER FACTOR >0.9
- THD <20%
- MINIMUM AMBIENT OPERATING TEMPERATURE: -32°F
- FIELD REPLACEABLE

OPTIONS

ULD DAMP LABEL LUMINAIRE

- MAY BE USED IN A OUTDOOR AREA THAT IS PROTECTED FROM DIRECT CONTACT WITH WIND, RAIN, SNOW OR EXCESSIVE MOISTURE

MOD MODIFIED LUMINAIRE

- LUMINAIRE IS MODIFIED FROM STANDARD OPTIONS. CONTACT LOCAL REP FOR MORE INFORMATION

SPECIFICATIONS

CONSTRUCTION

- HOUSING IS DIE-CAST ALUMINUM
- DIFFUSER IS INJECTION-MOLDED WITH FROSTED SURFACE
- CANOPY IS SPUN ALUMINUM
- HARDWARE IS ZINC PLATED OR STAINLESS STEEL

MOUNTING

- P1CB, P1CC, P1CF ALL MOUNT TO 4X4" OCTAGON OR 4" ROUND J-BOX (BY OTHER)
- P1FC, P1FD, P1FE ALL MOUNT TO OCL PROPRIETARY RECESSED J-BOX (PROVIDED BY OCL)

ELECTRICAL

- DIMMING ELECTRONIC DRIVER(S) COMES STANDARD WITH 0-10V DOWN TO 1%
- LUTRON (LDE1) ECOSYSTEM 1% ALSO AVAILABLE
- OCL PROPRIETARY LED ARRAYS USE NICHIA 757 DIODES
- **FOR INTEGRAL DRIVERS:** LUMINAIRE CONNECTS TO BUILDING SUPPLY (120V-277V 50/60HZ)
- **FOR REMOTE DRIVERS:** LUMINAIRE WIRE LEADS ARE LOW-VOLTAGE. THE WIRES SHOULD BE CONNECTED TO OCL PROVIDED REMOTE DRIVER ENCLOSURE ONLY!

LISTING

- ETL LISTED TO UL 1598 FOR DRY LOCATIONS, DAMP LOCATION LISTED IS OPTION

WARRANTY

- 5 YEAR; ALL ELECTRICAL COMPONENTS RETAIN THE MANUFACTURER'S WARRANTY